



US0D1025942S

(12) **United States Design Patent** (10) **Patent No.:** **US D1,025,942 S**  
**Zhang** (45) **Date of Patent:** **\*\* May 7, 2024**

(54) **RADIO**

(71) Applicant: **Dejun Zhang**, Xinyang (CN)

(72) Inventor: **Dejun Zhang**, Xinyang (CN)

(\*\*) Term: **15 Years**

(21) Appl. No.: **29/784,968**

(22) Filed: **May 22, 2021**

(30) **Foreign Application Priority Data**

Apr. 26, 2021 (CN) ..... 202130243402.5

(51) **LOC (14) Cl.** ..... **14-01**

(52) **U.S. Cl.**  
USPC ..... **D14/172**; D14/195; D14/197; D14/188;  
D26/38

(58) **Field of Classification Search**

USPC ..... D14/167, 168, 170-172, 188, 193-198,  
D14/203.1-203.8, 204, 209.1, 210-217,  
D14/219, 221, 222, 224, 239, 496;  
D26/38

CPC ..... B60R 11/0217; G06F 1/1688; G10K 9/22;  
G10K 11/004; H03F 1/327; H04M 1/03;  
H04M 1/035; H04N 5/642; H04N  
21/4852; H04R 1/02; H04R 1/06; H04R  
1/021; H04R 1/025; H04R 1/026; H04R  
1/028; H04R 1/105; H04R 1/323; H04R  
1/403; H04R 1/2803; H04R 1/2834;  
H04R 5/02; H04R 7/20; H04R 9/06;  
H04R 9/025; H04R 2201/021; H04R  
2400/00; H04R 2400/07; H04R 2499/11;  
H04R 2499/13; H04R 2499/15; H04S  
3/00; H04S 7/30

See application file for complete search history.

(56) **References Cited**

U.S. PATENT DOCUMENTS

D504,411	S	*	4/2005	Lam	.....	D14/168
D523,838	S	*	6/2006	Lee	.....	D14/168
D625,446	S	*	10/2010	He	.....	D26/38
D636,332	S	*	4/2011	Hsu	.....	D14/196
D950,513	S	*	5/2022	Ou	.....	D14/155
D986,847	S	*	5/2023	Chen	.....	D14/172
2023/0193714	A1	*	6/2023	Zhang	.....	E21B 7/04 175/61

OTHER PUBLICATIONS

Amazon-Raynic Store; "Weather Radio Raynic . . . "; [online] 'http://www.amazon.com/dp/B07TXL4XJP'; dated Jul. 2, 2019; accessed Jun. 13, 2023; 6pgs. (Year: 2019).\*

\* cited by examiner

Primary Examiner — Keli L Hill

(57) **CLAIM**

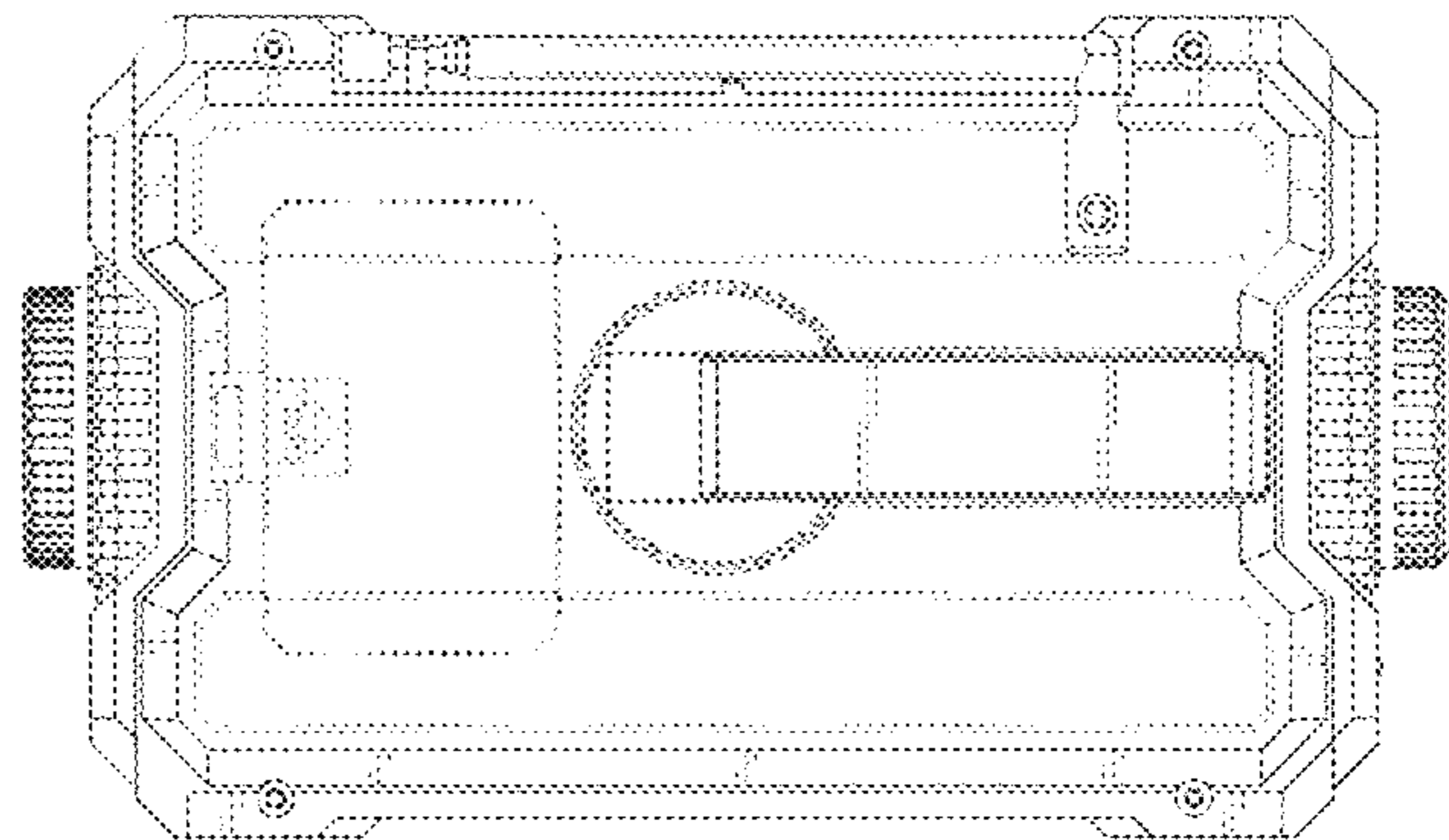
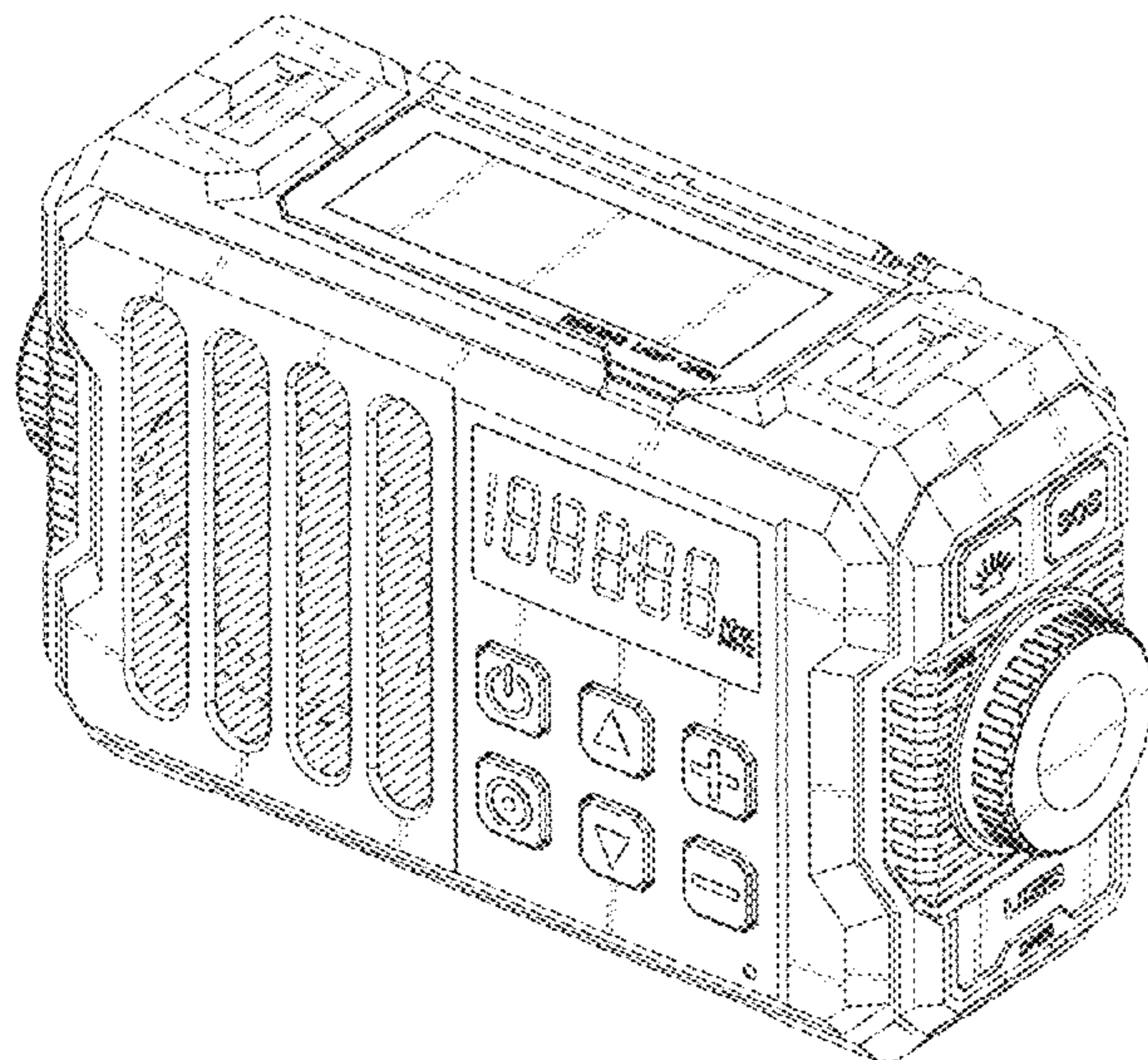
The ornamental design for a radio, as shown and described.

**DESCRIPTION**

FIG. 1 is a top, front and rear view of a radio, embodying our new design;  
FIG. 2 is a right side view thereof;  
FIG. 3 is a left side view thereof;  
FIG. 4 is a back view thereof;  
FIG. 5 is a front view thereof;  
FIG. 6 is a top view thereof; and,  
FIG. 7 is a bottom view thereof.

The broken lines shown are included for the purpose of illustrating portions of the radio that form no part of the claim.

**1 Claim, 7 Drawing Sheets**



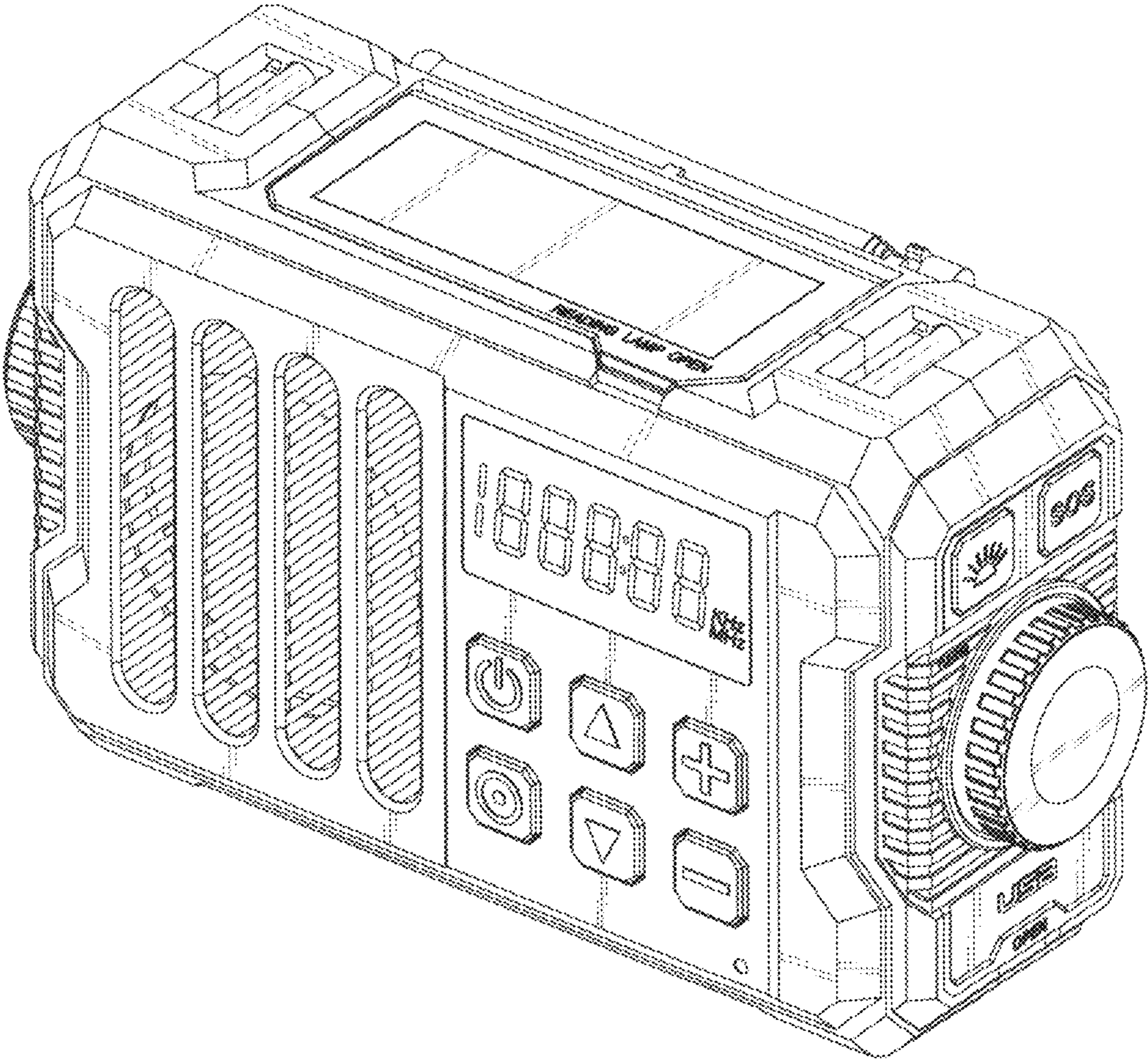


FIG. 1

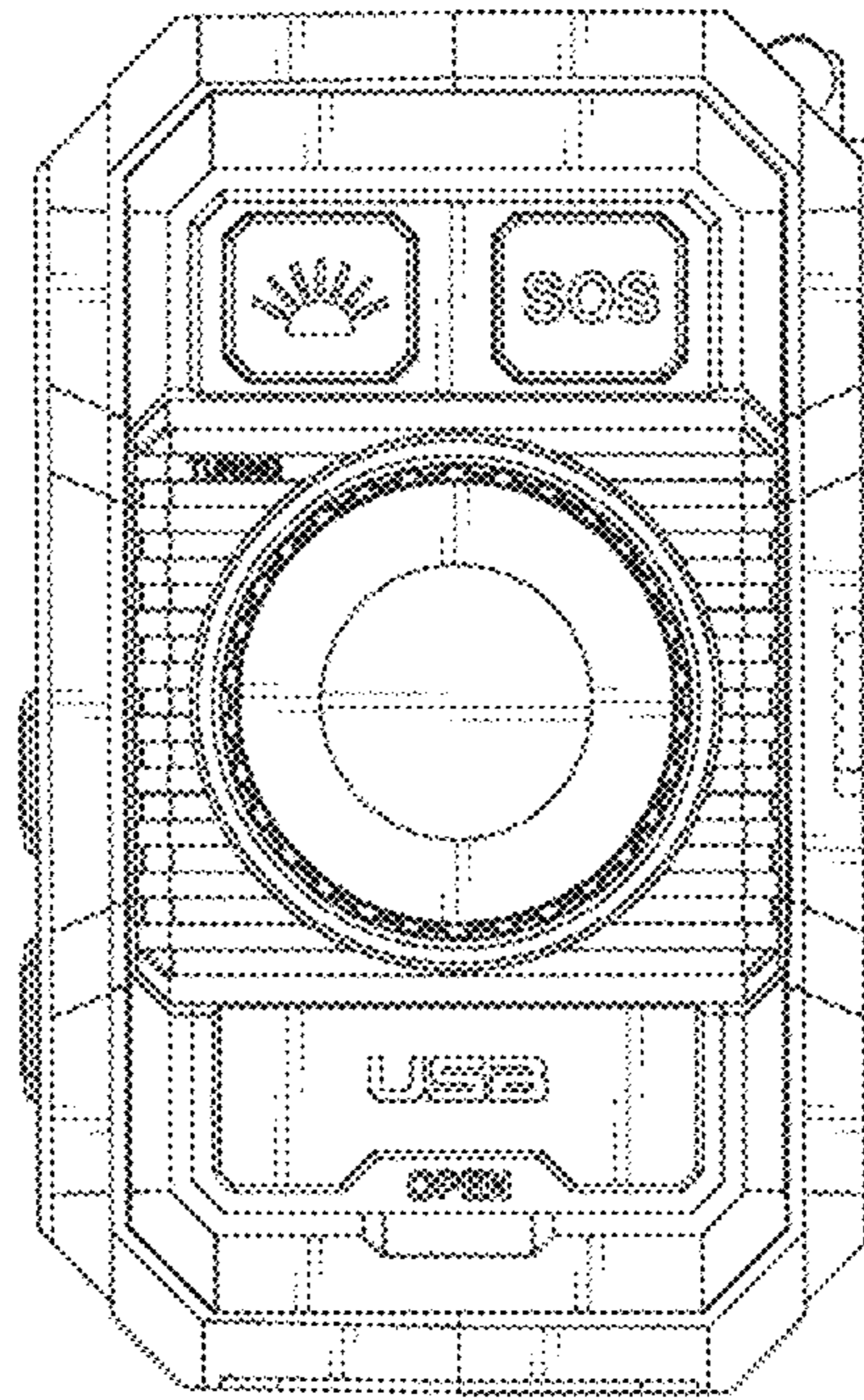


FIG. 2

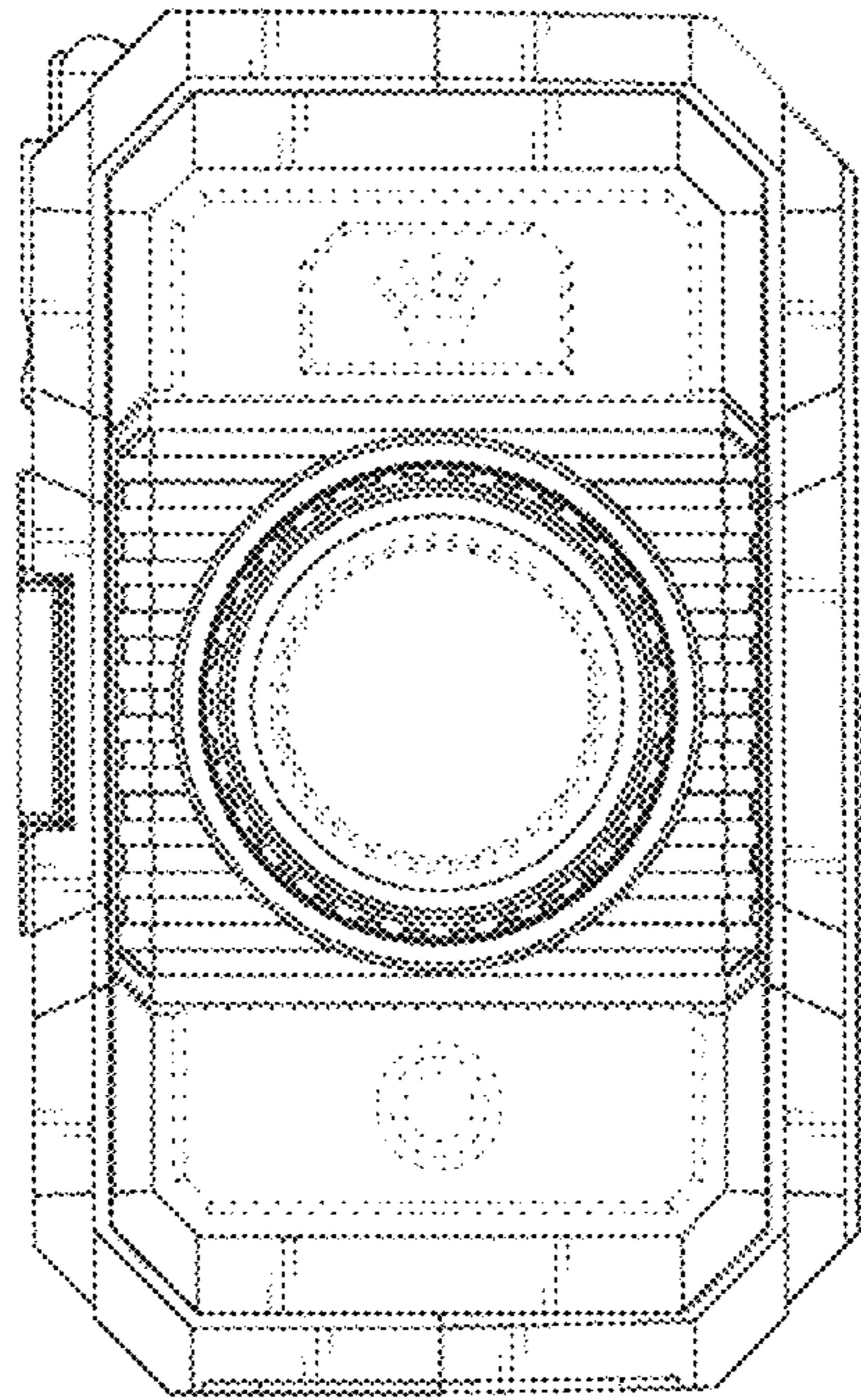


FIG. 3

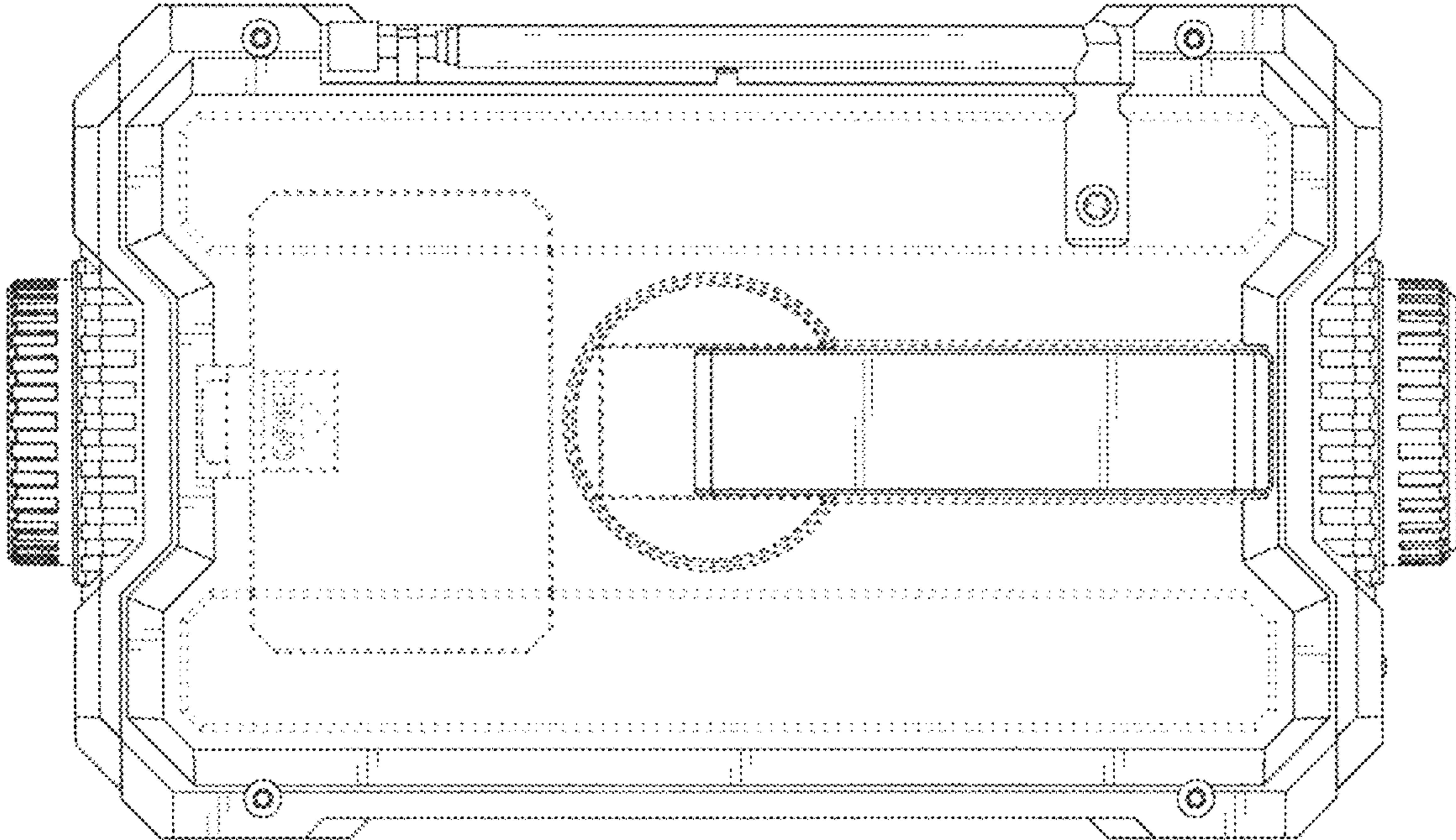


FIG. 4

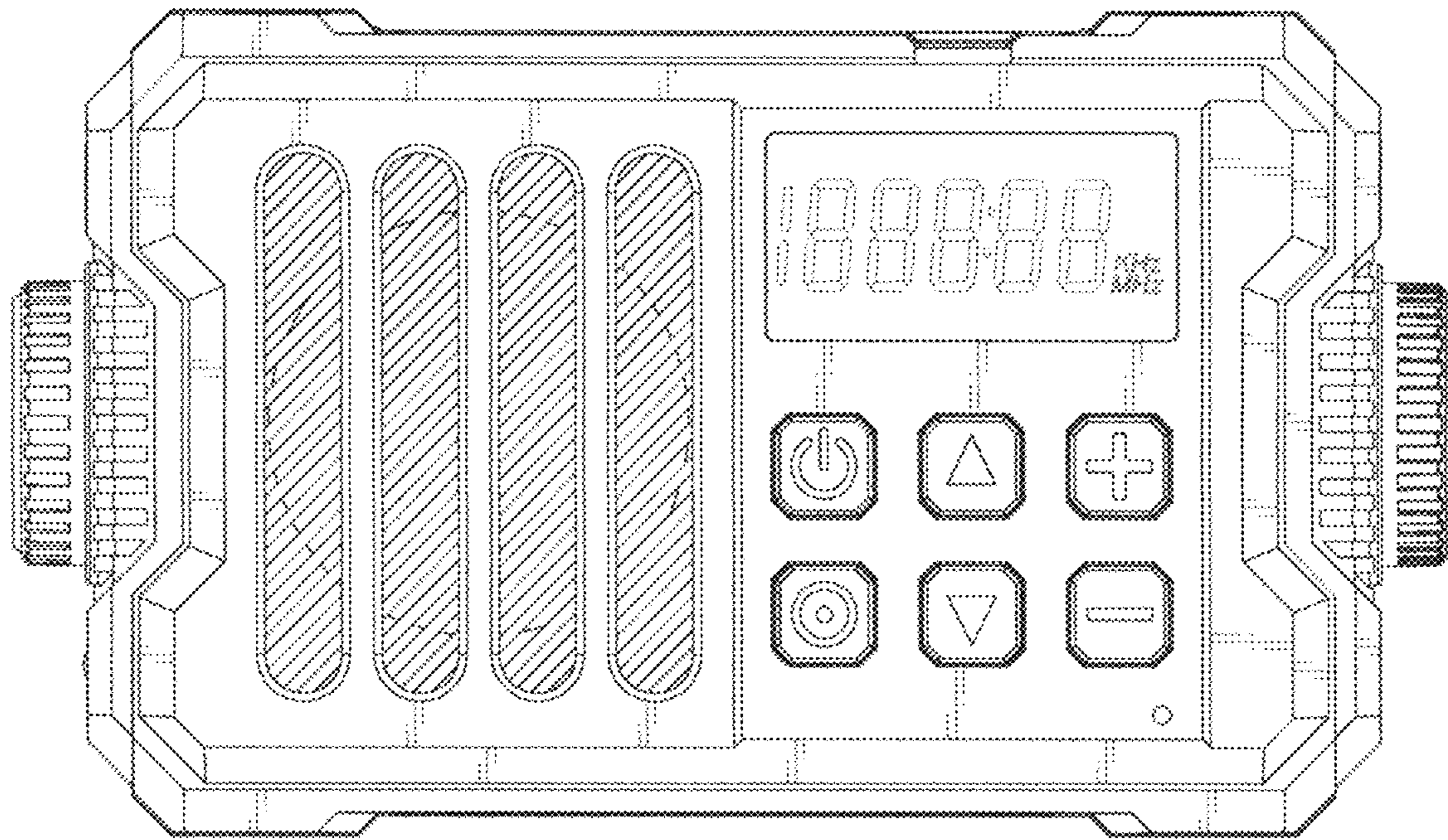


FIG. 5

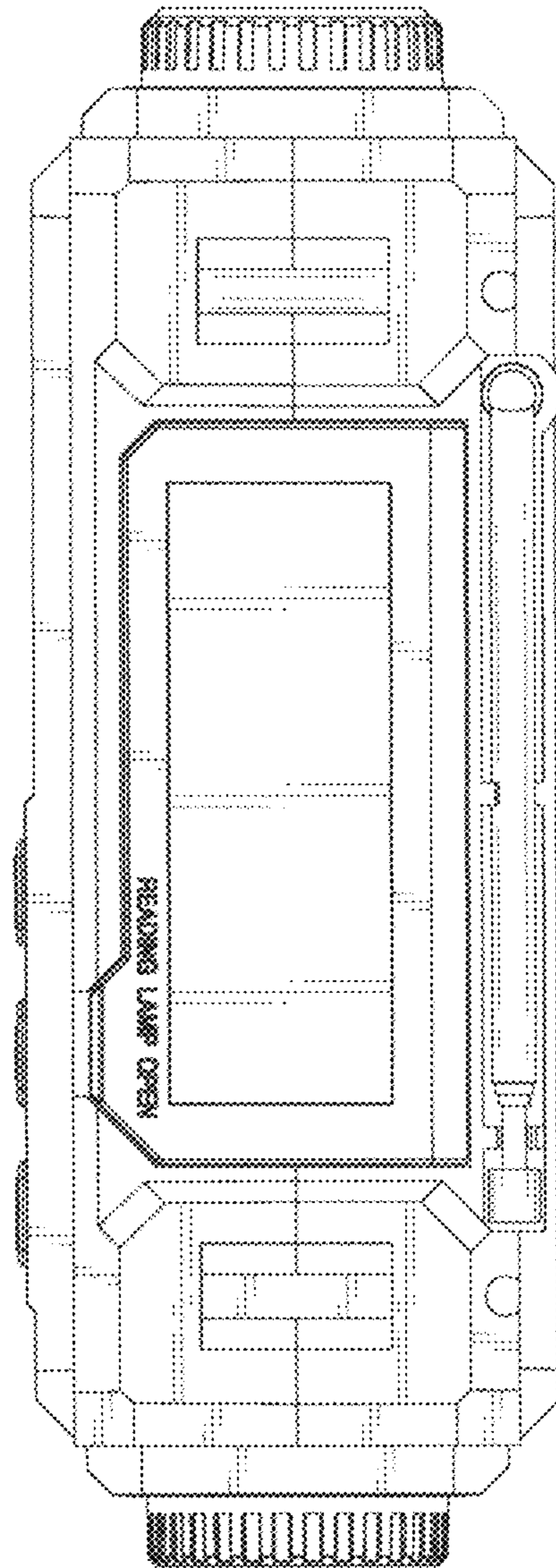


FIG. 6

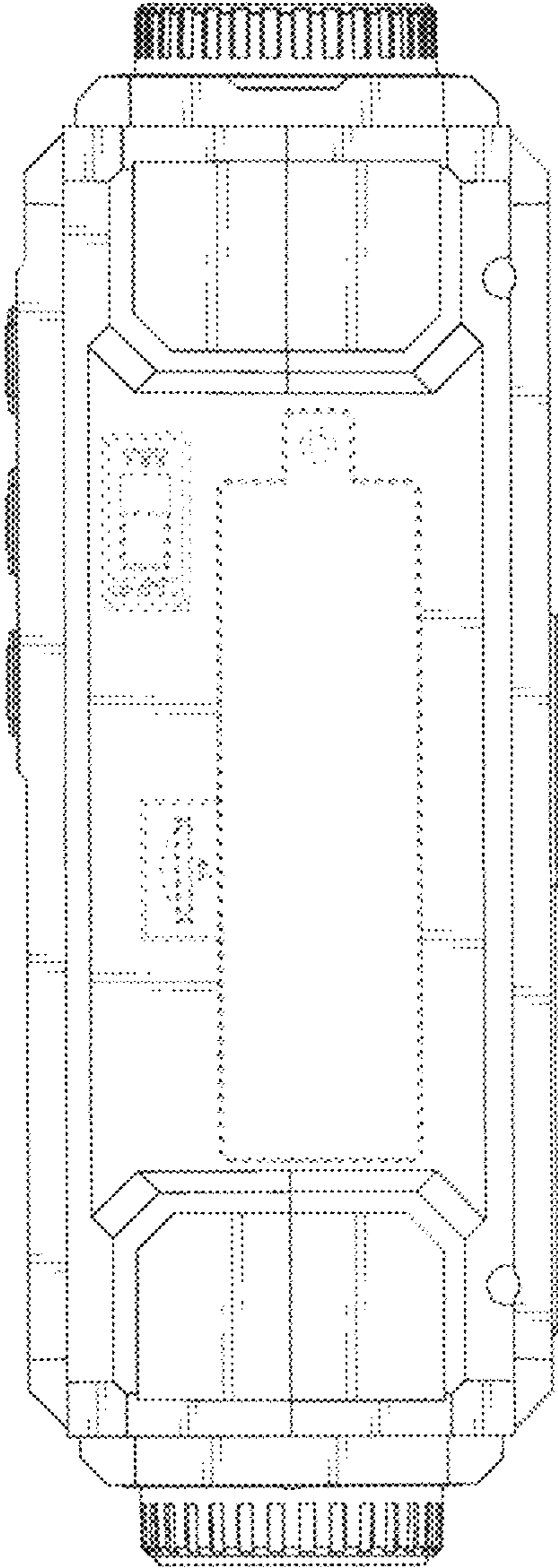


FIG. 7