



US0D1025874S

(12) **United States Design Patent** (10) **Patent No.:** **US D1,025,874 S**
Johnson (45) **Date of Patent:** **** May 7, 2024**

- (54) **PAYLOAD DELIVERY DEVICE**
- (71) Applicant: **Adam Johnson**, Broadus, MT (US)
- (72) Inventor: **Adam Johnson**, Broadus, MT (US)
- (**) Term: **15 Years**
- (21) Appl. No.: **29/874,727**
- (22) Filed: **Apr. 24, 2023**

D1,002,494 S * 10/2023 Dildy D12/406
 D1,007,396 S * 12/2023 Geiger D12/406
 2011/0011909 A1* 1/2011 Liu B60R 9/10
 224/523
 2019/0263489 A1 8/2019 Coles

FOREIGN PATENT DOCUMENTS

WO 2014191749 A1 12/2014

* cited by examiner

Primary Examiner — Katrina A Betton

(57) **CLAIM**

The ornamental design for a payload delivery device, as shown and described.

DESCRIPTION

FIG. 1 is a top-front-left perspective view of a payload delivery device showing my new design;
 FIG. 2 is a bottom-rear-right perspective view thereof;
 FIG. 3 is a front elevational view thereof;
 FIG. 4 is a rear elevational view thereof;
 FIG. 5 is a top plan view thereof;
 FIG. 6 is a bottom plan view thereof;
 FIG. 7 is a left elevational view thereof;
 FIG. 8 is a right elevational view thereof;
 FIG. 9 is a top-front-left perspective view thereof, wherein the payload delivery device is shown with a parachute and a payload; and,
 FIG. 10 is a bottom-rear-right perspective view thereof, wherein the payload delivery device is shown with the parachute and the payload.
 The broken lines showing fasteners in FIGS. 1-10, the broken lines showing landing risers in FIGS. 1-10, and the broken lines showing a payload and a parachute in FIGS. 9 and 10, are included for the purpose of illustrating environmental structure and form no part of the claimed design.

Related U.S. Application Data

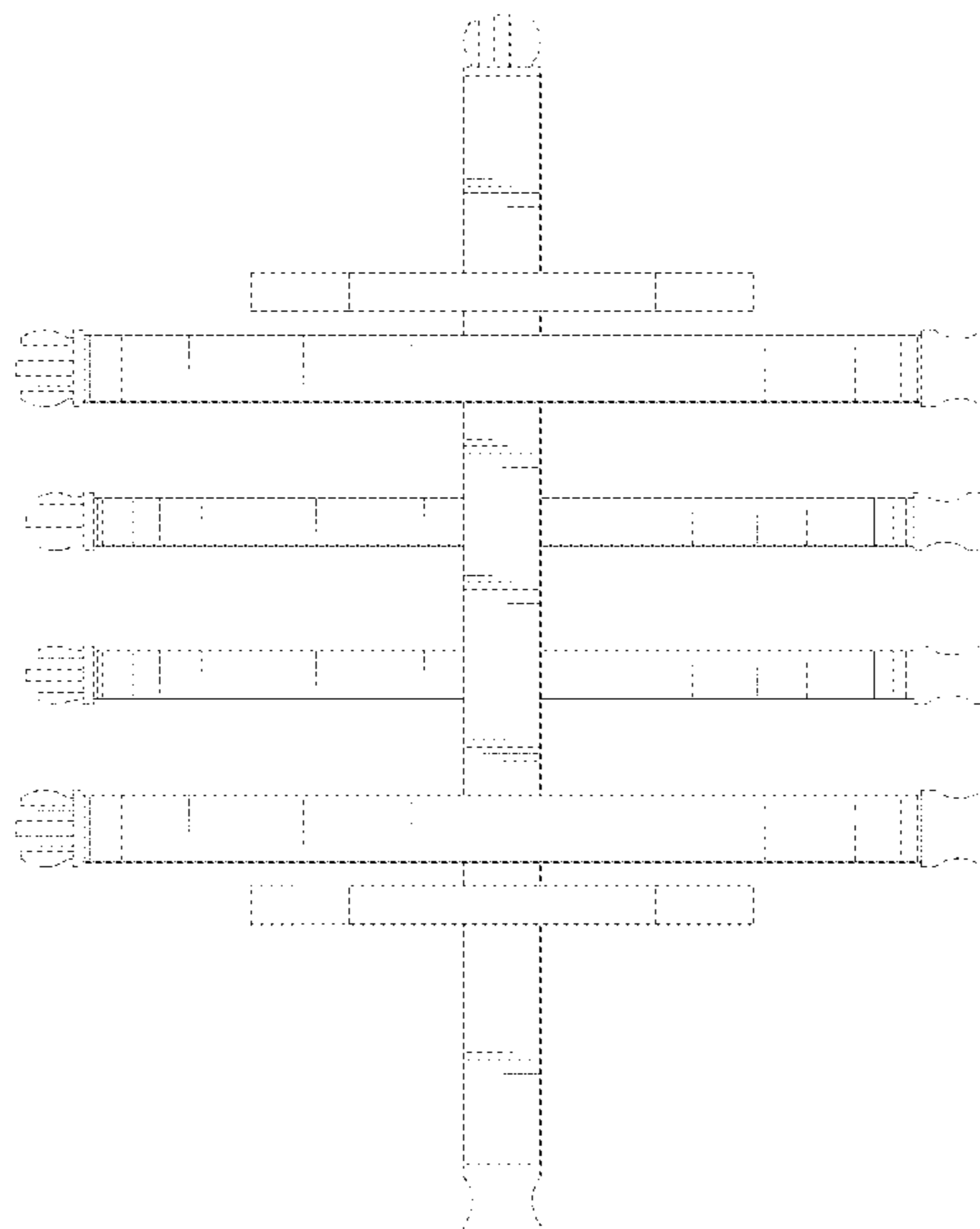
- (63) Continuation-in-part of application No. 18/058,637, filed on Nov. 23, 2022.
- (51) **LOC (14) Cl.** **12-16**
- (52) **U.S. Cl.**
USPC **D12/406**
- (58) **Field of Classification Search**
USPC D12/406-414; D32/35, 58; D6/317-319, D6/513-514
CPC B62J 9/003; B62J 7/06
See application file for complete search history.

(56) **References Cited**

U.S. PATENT DOCUMENTS

- D722,289 S * 2/2015 Williams D12/408
- D788,019 S * 5/2017 Kuschmeader D12/408
- 9,694,910 B2 7/2017 MacCallum et al.
- D811,985 S * 3/2018 Clark D12/407
- D817,256 S * 5/2018 Adler D12/408
- 10,131,437 B1 11/2018 Hanlon
- D877,685 S * 3/2020 Larsson D12/406
- 10,745,130 B2 8/2020 Potter et al.
- D906,223 S * 12/2020 Larsson D12/406
- D942,322 S * 2/2022 Evans D12/42
- D975,620 S * 1/2023 Wang D12/406
- D980,689 S * 3/2023 Zhang D12/406
- D982,317 S * 4/2023 Snyder D12/406

1 Claim, 10 Drawing Sheets



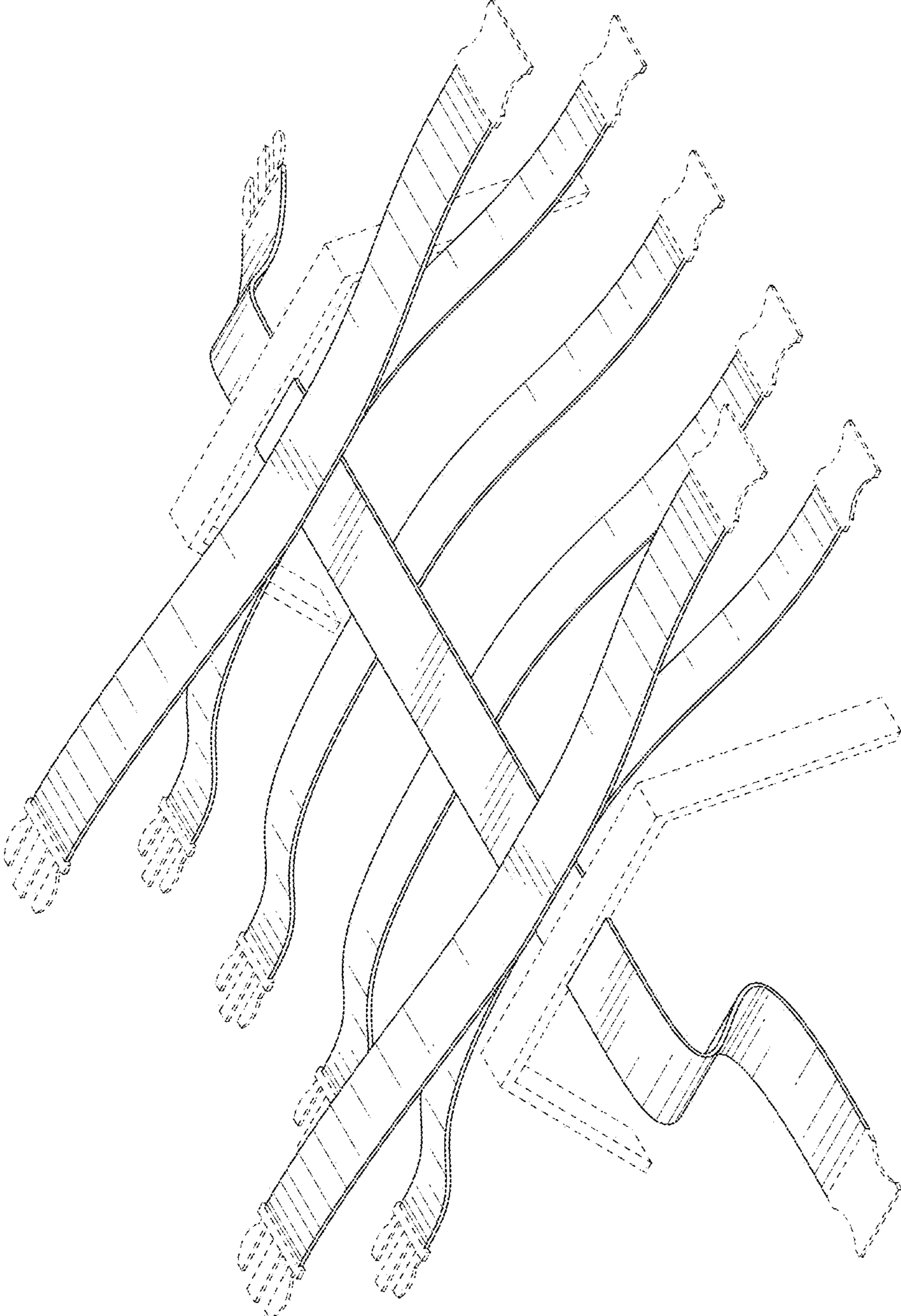


FIG. 1

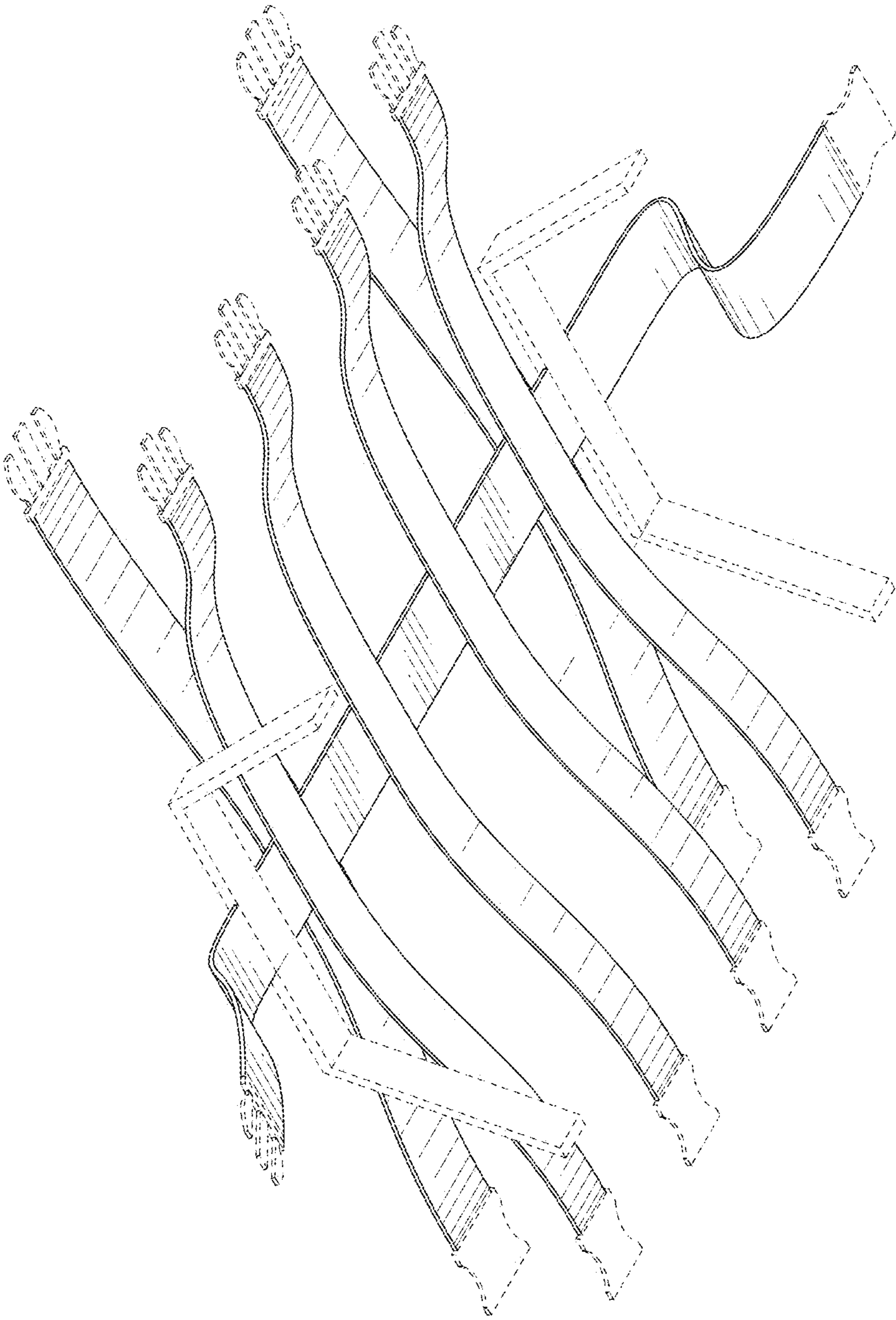


FIG. 2

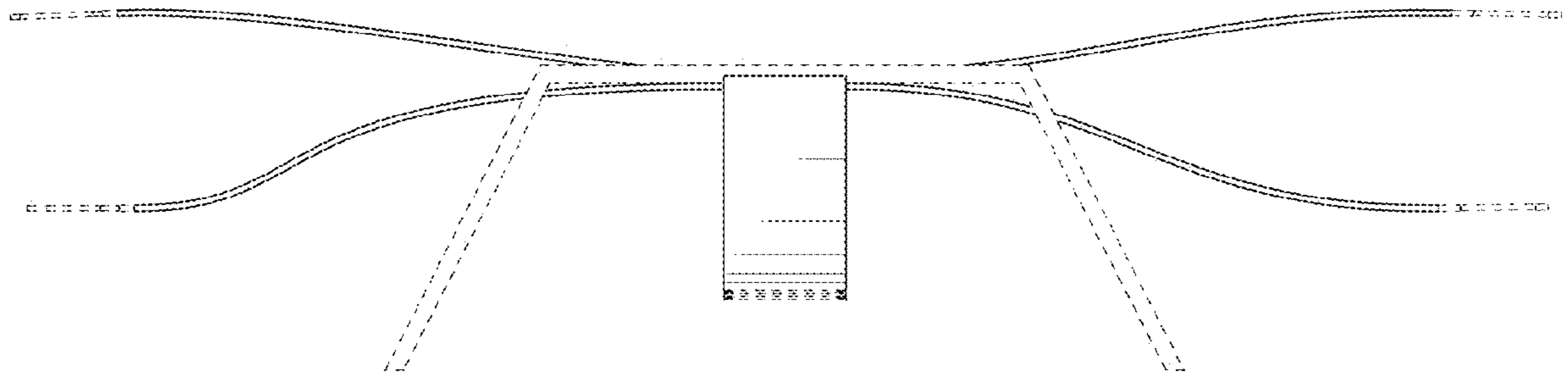


FIG. 3

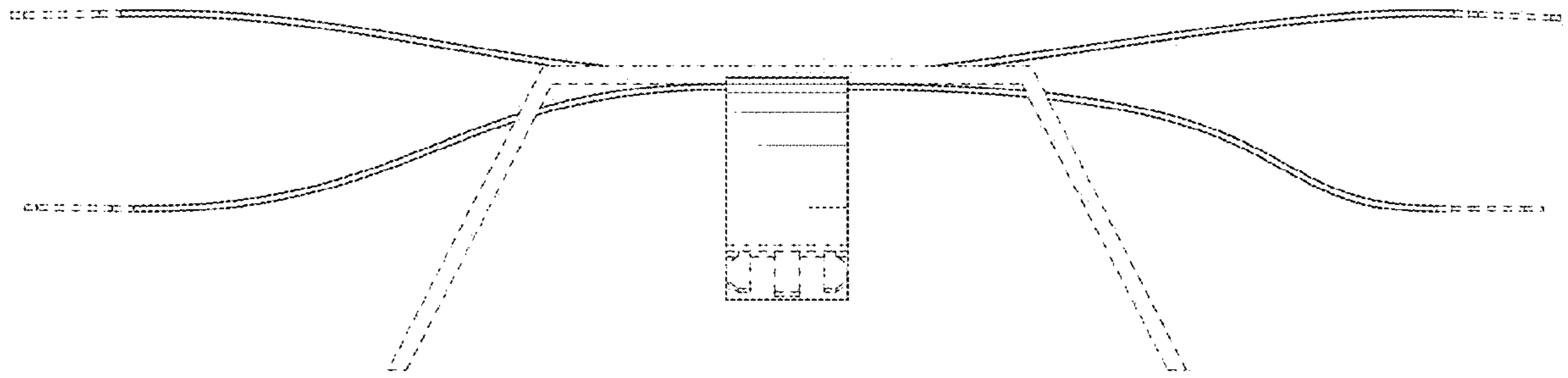


FIG. 4

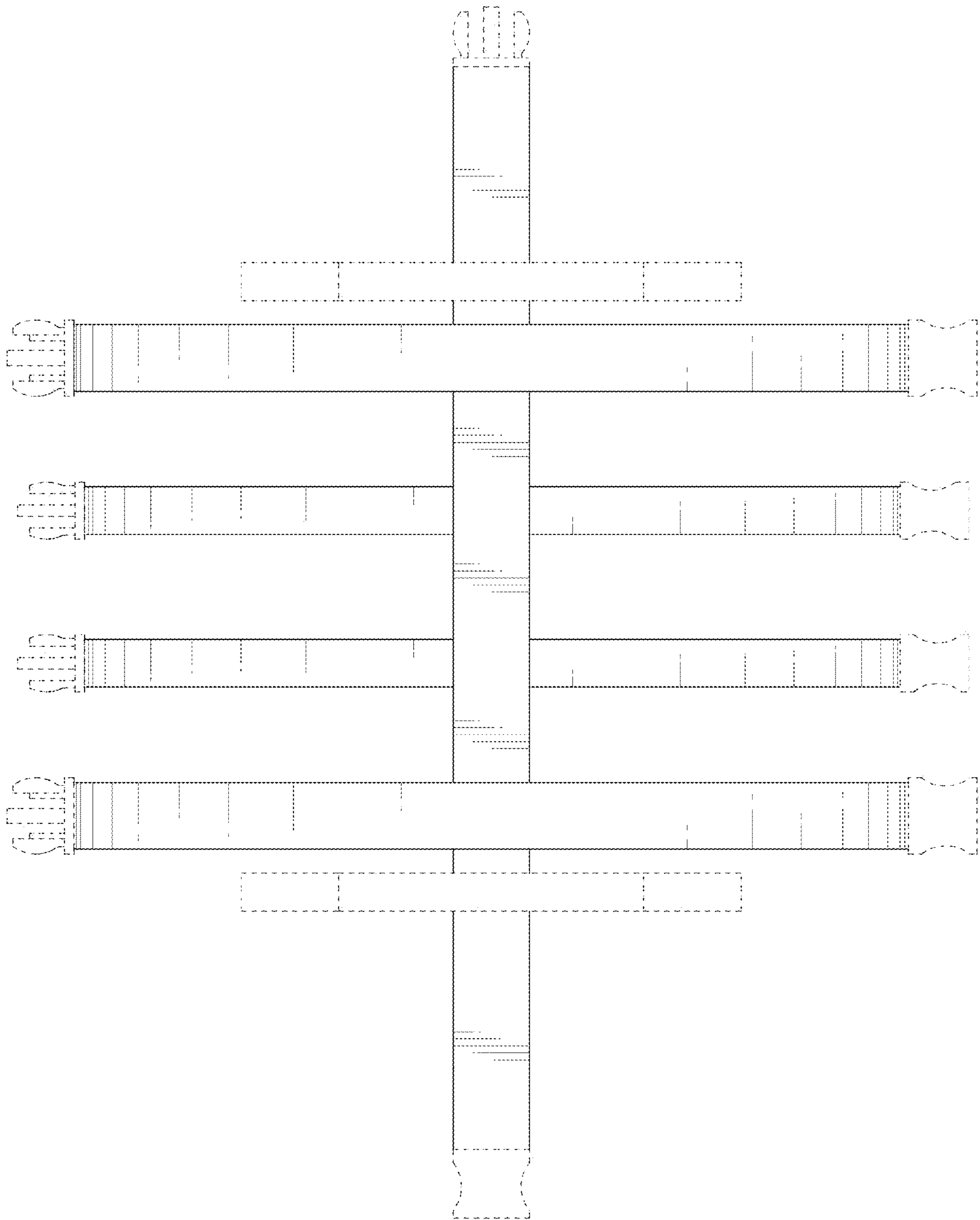


FIG. 5

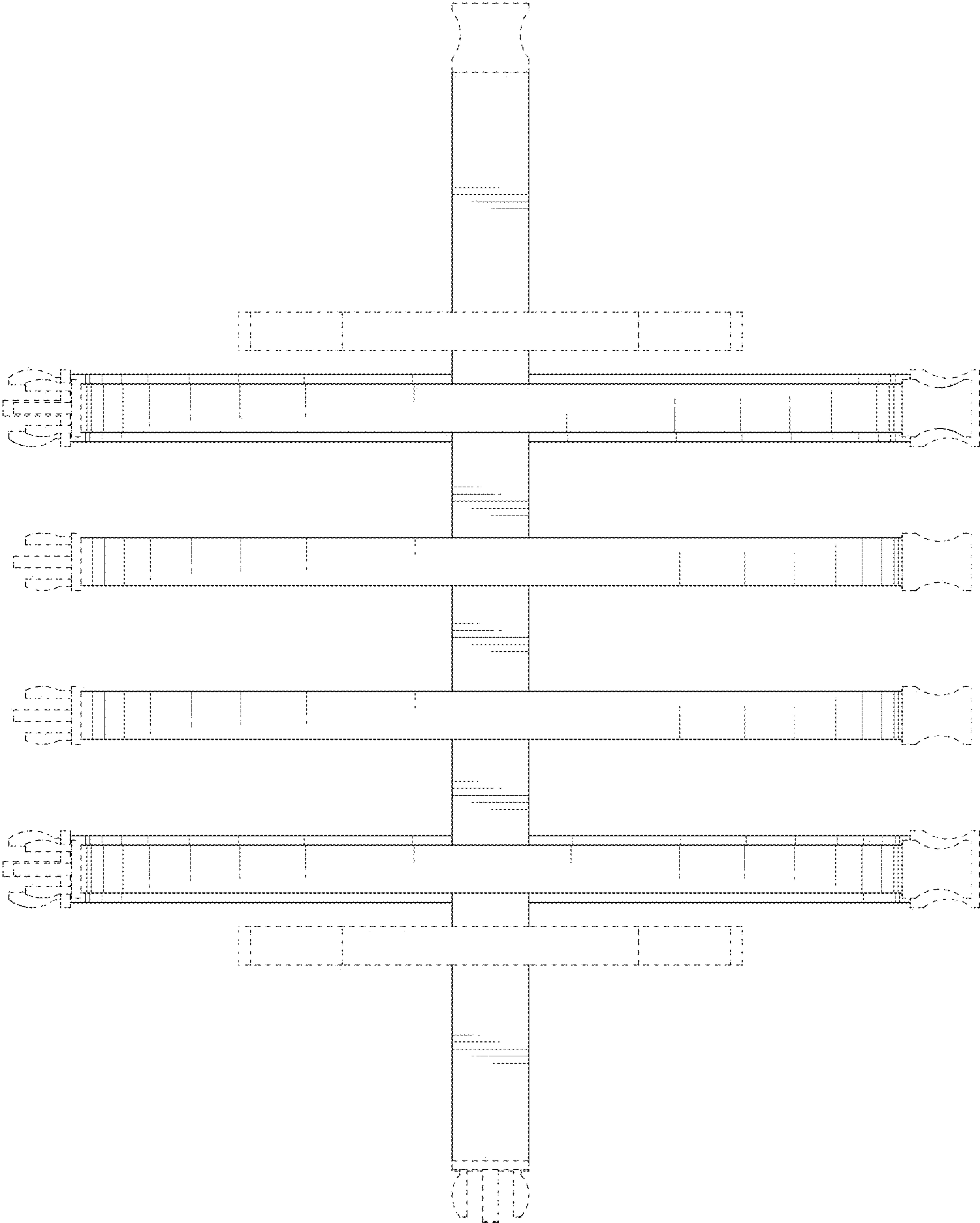


FIG. 6

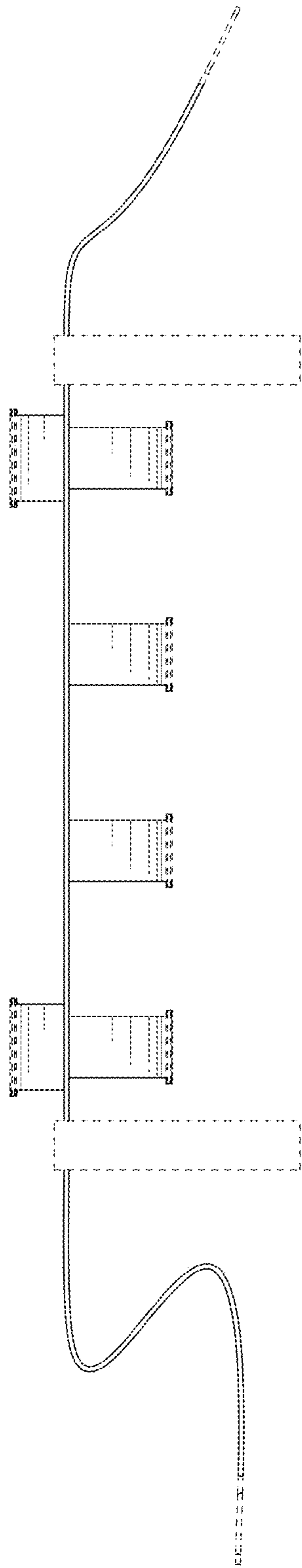


FIG. 7

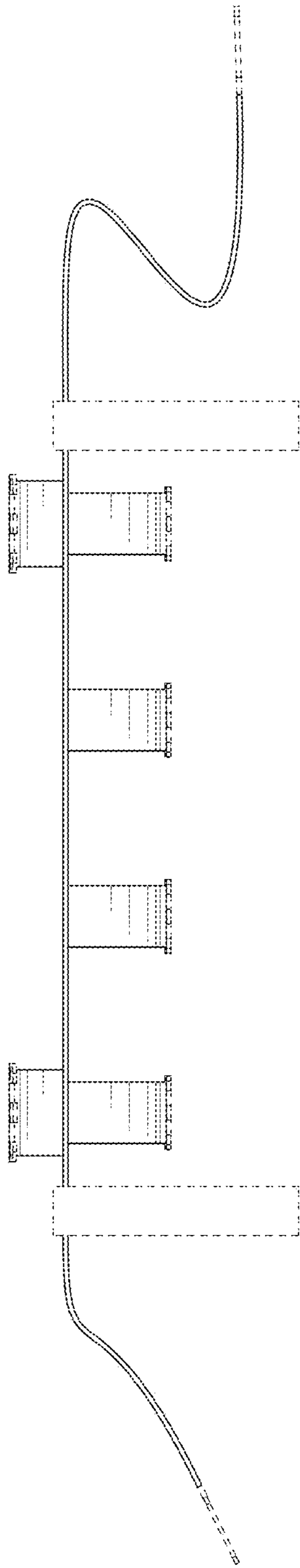


FIG. 8

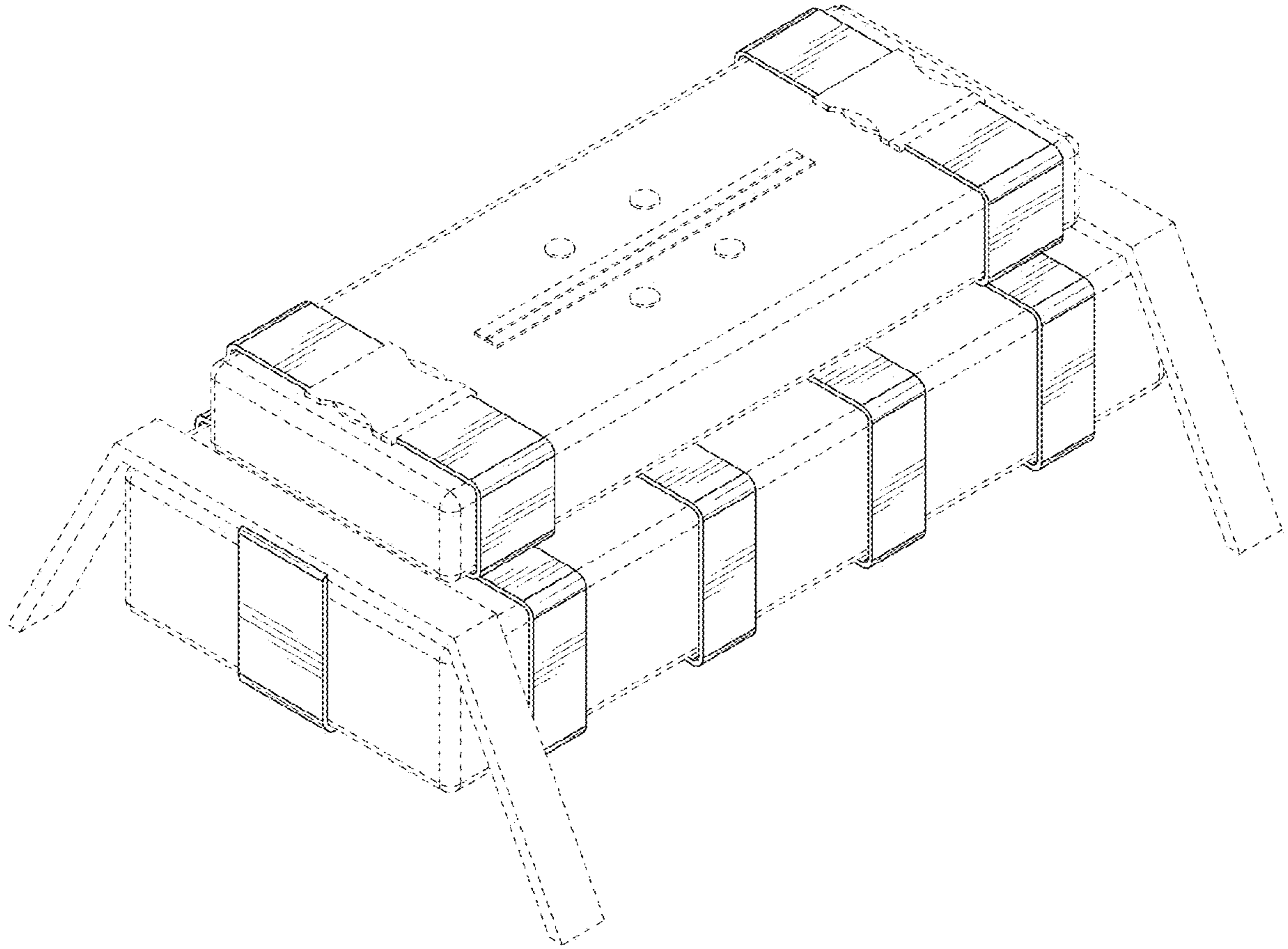


FIG. 9

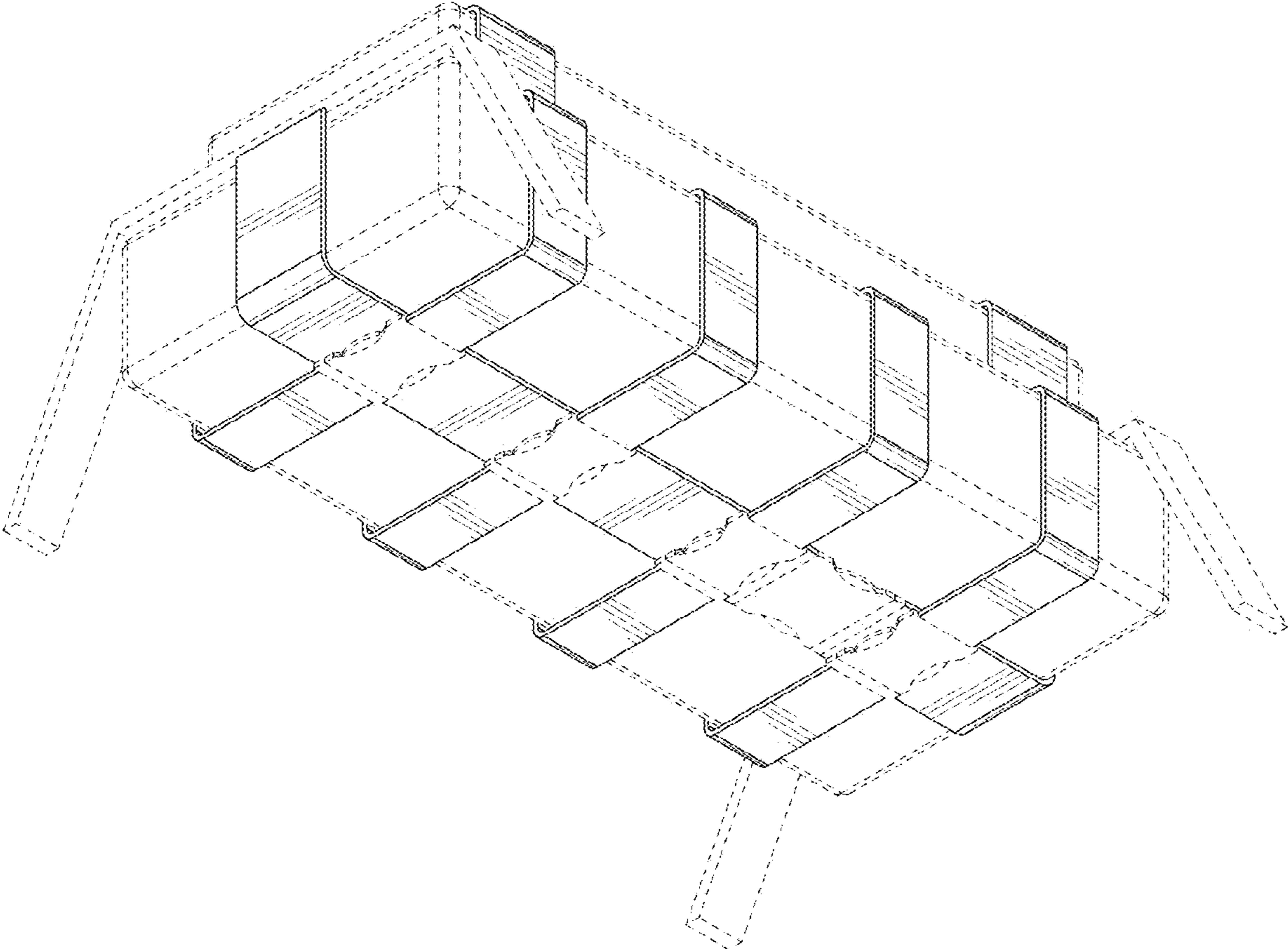


FIG. 10