



US0D1025866S

(12) **United States Design Patent** (10) **Patent No.:** **US D1,025,866 S**
Chiang (45) **Date of Patent:** **** May 7, 2024**

(54) **SIDE SKIRT SET**

(71) Applicant: **Man Kit Chiang**, Dublin, CA (US)

(72) Inventor: **Man Kit Chiang**, Dublin, CA (US)

(**) Term: **15 Years**

(21) Appl. No.: **29/778,067**

(22) Filed: **Apr. 9, 2021**

(51) **LOC (14) Cl.** **12-16**

(52) **U.S. Cl.**
USPC **D12/196**

(58) **Field of Classification Search**

USPC D12/86, 90, 91, 92, 98, 163, 164, 169,
D12/181, 190, 196

CPC B60R 19/02; B60R 19/04; B62D 25/08

See application file for complete search history.

(56) **References Cited**

U.S. PATENT DOCUMENTS

D840,890 S *	2/2019	Lu	D12/196
D869,365 S *	12/2019	Woodhouse	D12/169
D870,008 S *	12/2019	Von Holzhausen	D12/196
D890,665 S *	7/2020	Feng	D12/196
D899,989 S *	10/2020	Chi	D12/196
D923,545 S *	6/2021	Li	D12/196
D941,204 S *	1/2022	Willing	D12/196
D944,701 S *	3/2022	Piaskowski	D12/196
D956,647 S *	7/2022	Burki	D12/196
D960,061 S *	8/2022	Langhals	D12/196
D964,239 S *	9/2022	Taverna	D12/196
D978,751 S *	2/2023	Auerbach	D12/196
D988,947 S *	6/2023	Tsai	D12/181

OTHER PUBLICATIONS

Side Skirts. (Design—© Questel) orbit.com. [Online PDF compilation of references] 39 pgs. Print Dates Range Oct. 24, 2022-Oct. 13, 2022 [Retrieved Jun. 21, 2023].*

Side Skirts Compatible With 2014-2023 Infiniti Q50. Jul. 1, 2016. Amazon. <https://www.amazon.com/Side-Skirts-Fits-2014-2017-Infiniti/dp/B01HTGQWA4>.*

2016-2020 Chevy Camaro LT SS RS Matt Black Finish ZL1 Style Side Skirt Rocker Panel Extension. Sep. 29, 2017. Amazon. <https://www.amazon.com/2016-2018-Camaro-Finish-Rocker-Extension/dp/B07HGNJ7BQ>.*

EOS ZL1 Style Side Skirts, Gloss Black _ 2016-2023 Camaro Non-ZL1. 2016. Phastek. <https://www.phastekperformance.com/2016-2022-Camaro-EOS-ZL1-Style-Side-Skirts-p/eos-ss-160-v2-abs.htm>.*

* cited by examiner

Primary Examiner — George D. Kirschbaum

Assistant Examiner — Suzanne E Tisdell

(57) **CLAIM**

The ornamental design for a side skirt set, as shown and described.

DESCRIPTION

FIG. 1 is a top front perspective view of a side skirt set showing my new design;

FIG. 2 is a bottom front perspective view thereof;

FIG. 3 is a top rear perspective view thereof;

FIG. 4 is a bottom rear perspective view thereof;

FIG. 5 is a front elevational view thereof;

FIG. 6 is a rear elevational view thereof;

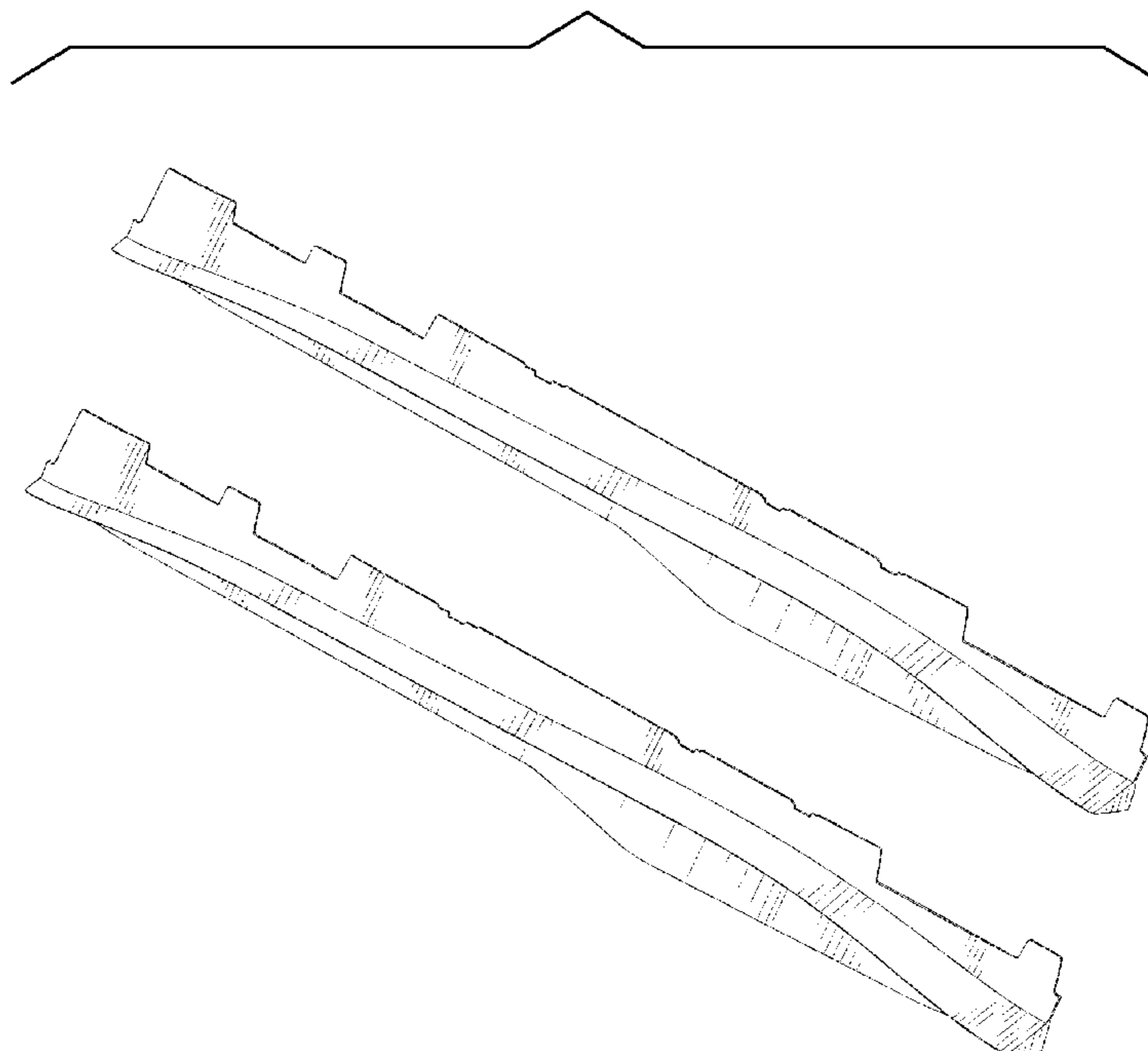
FIG. 7 is a top plan view thereof;

FIG. 8 is a bottom plan view thereof;

FIG. 9 is an enlarged right elevational view thereof; and,

FIG. 10 is an enlarged left elevational view thereof.

1 Claim, 10 Drawing Sheets



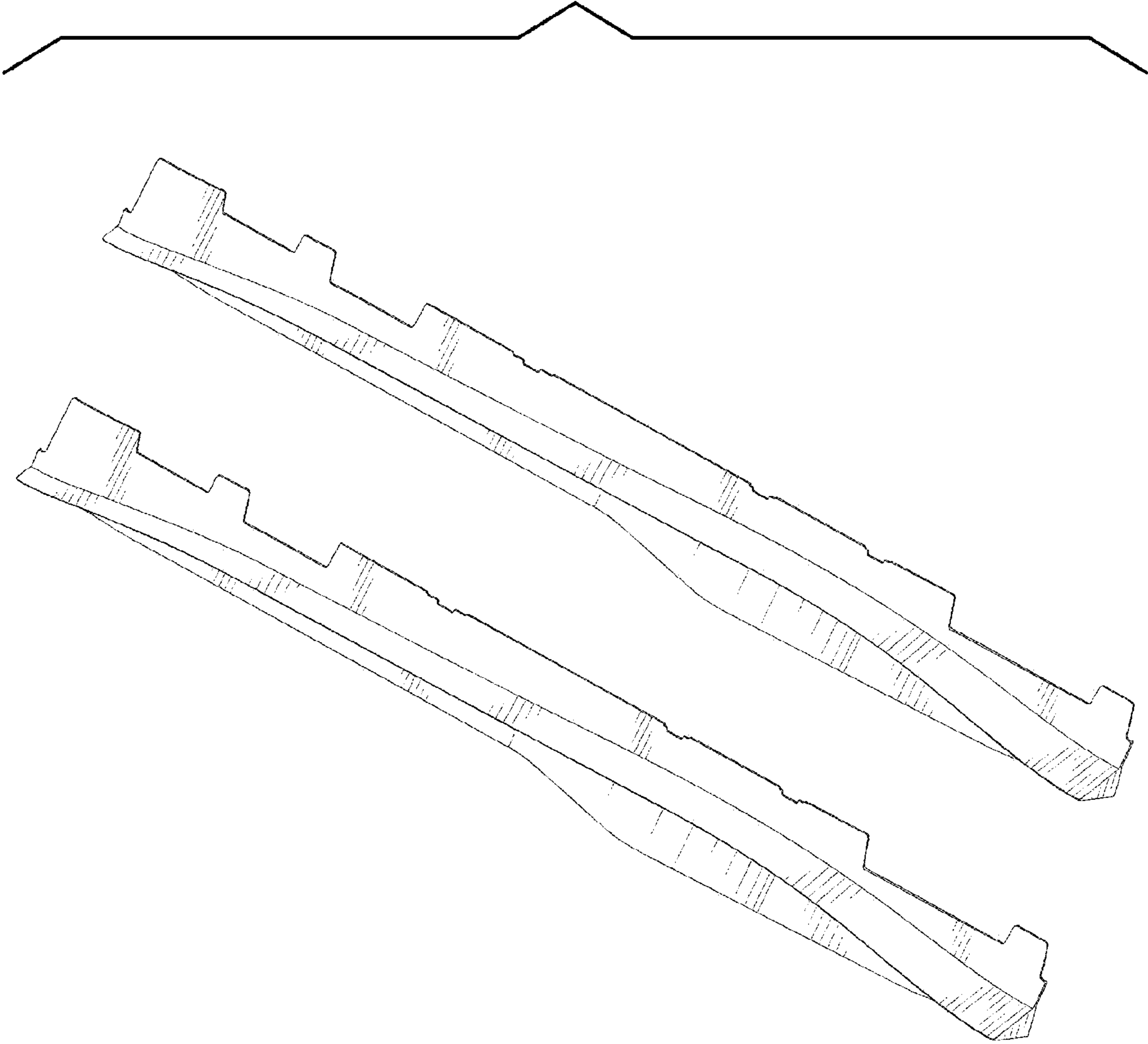


FIG. 1

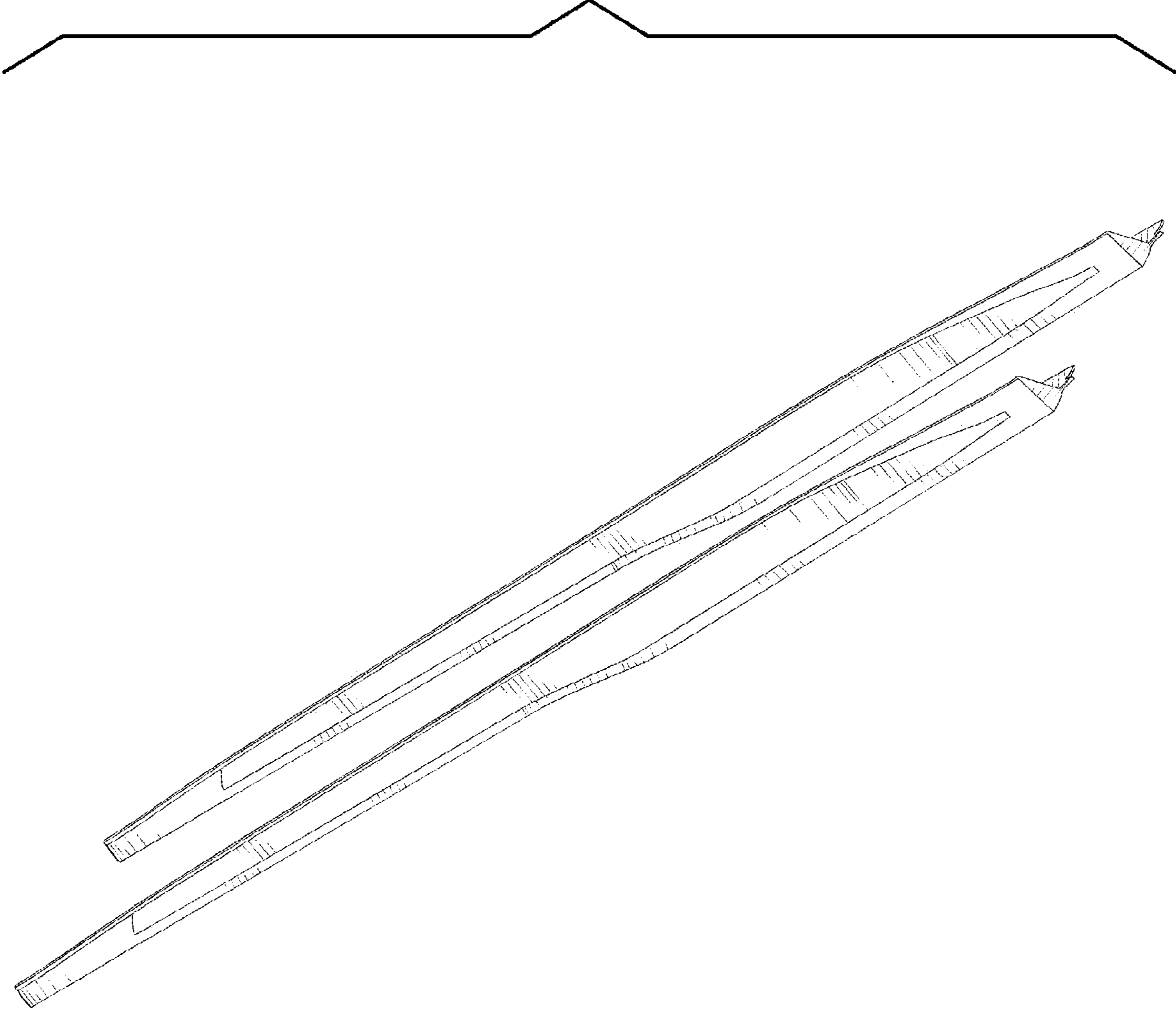


FIG. 2

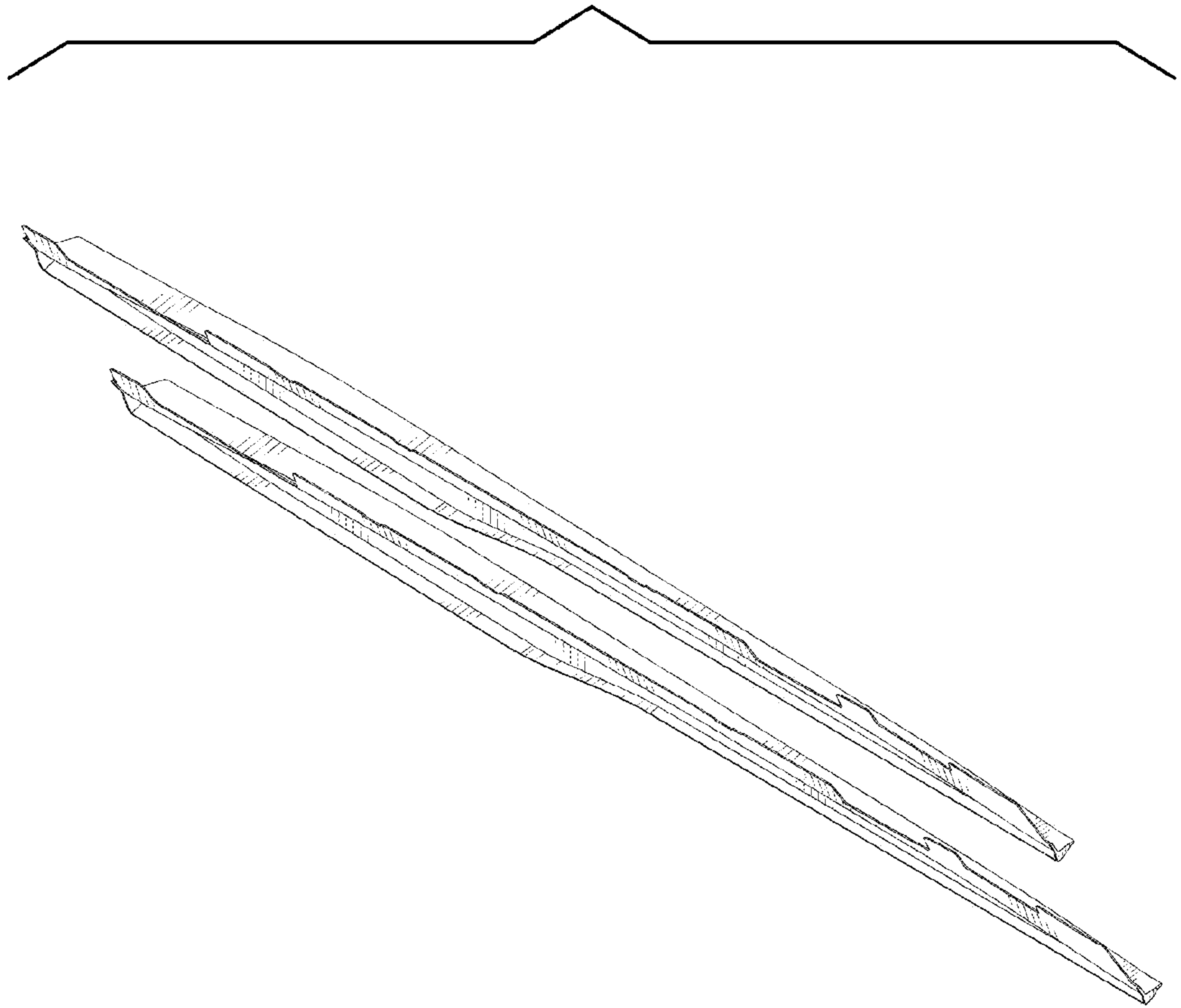


FIG. 3

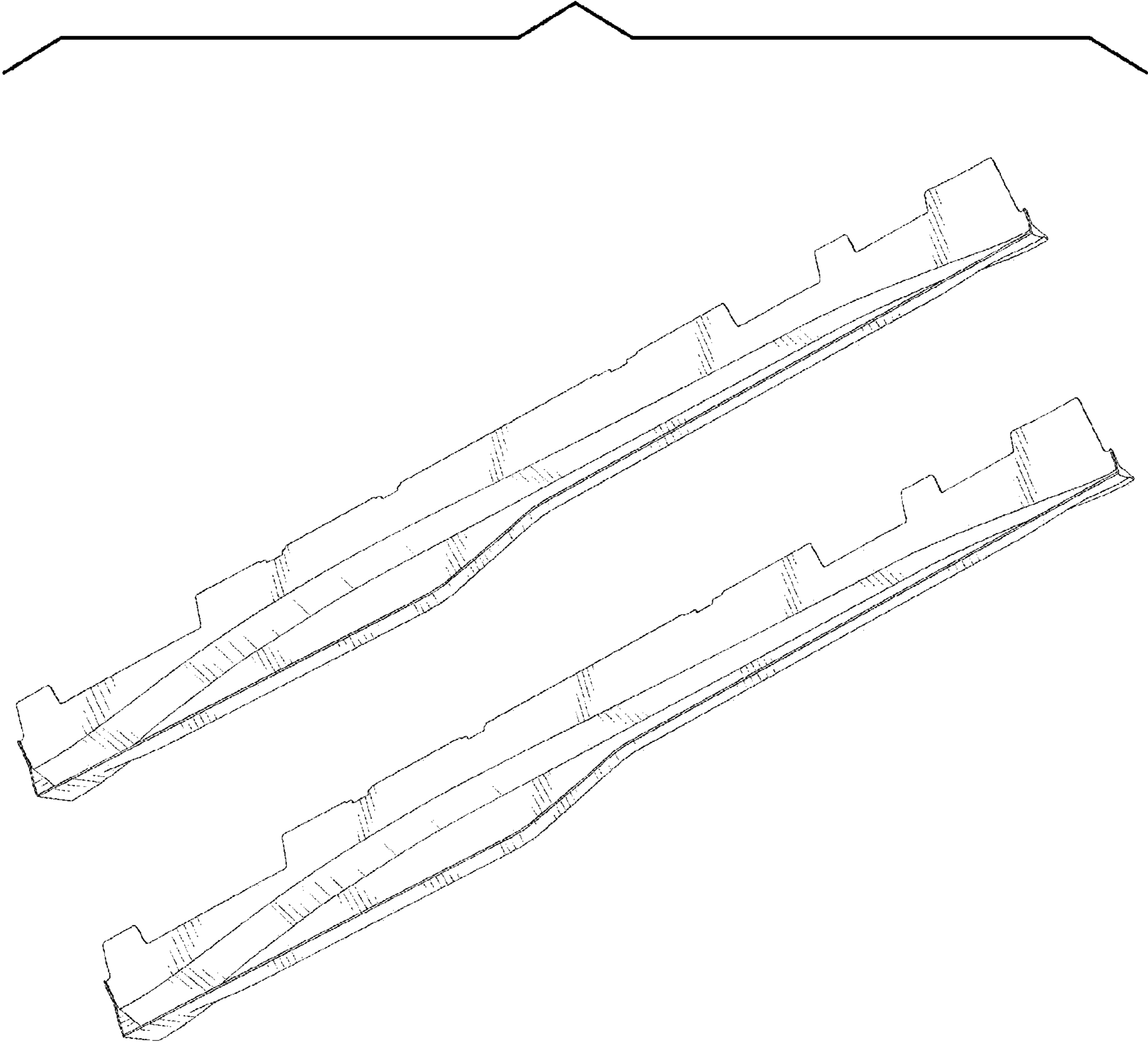


FIG. 4

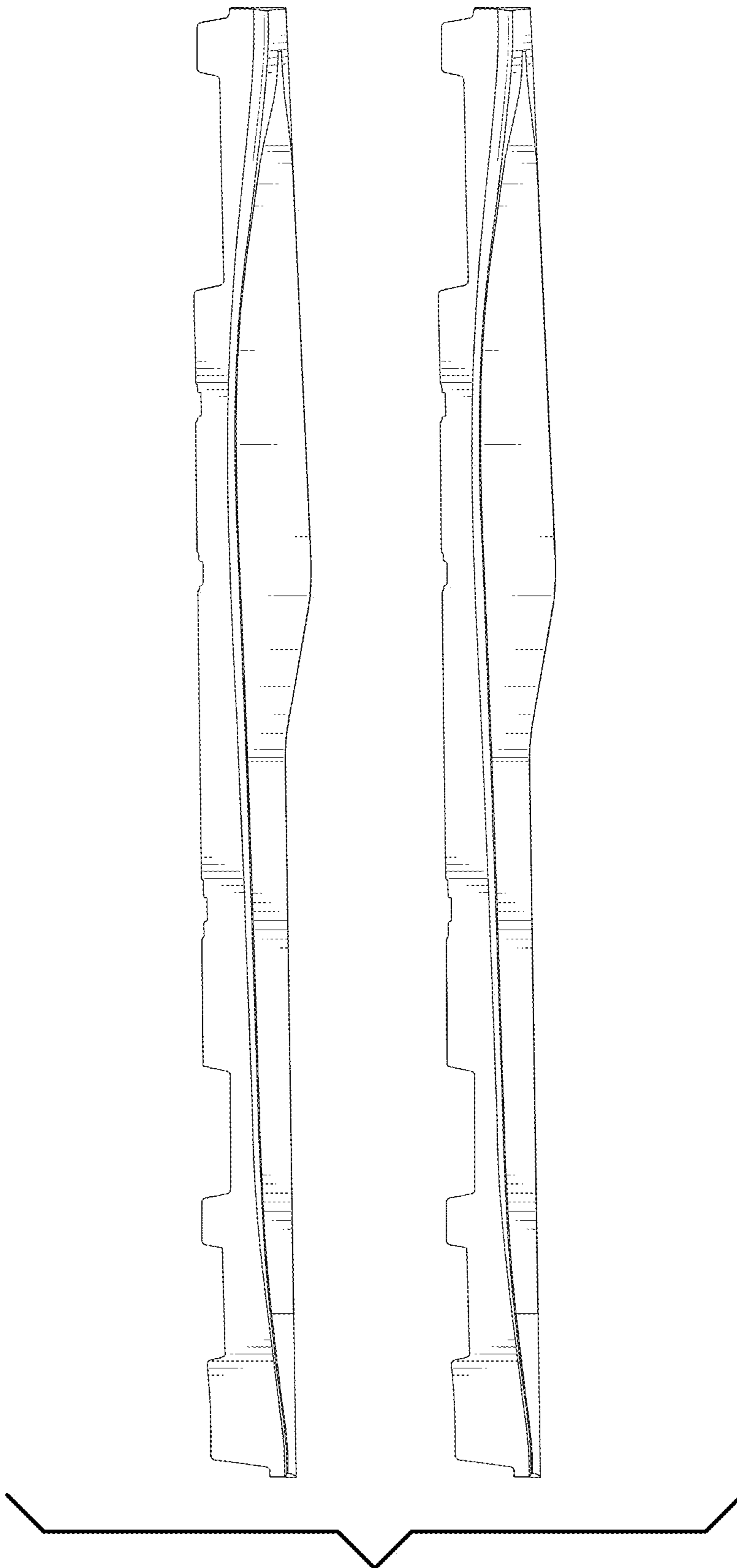


FIG. 5

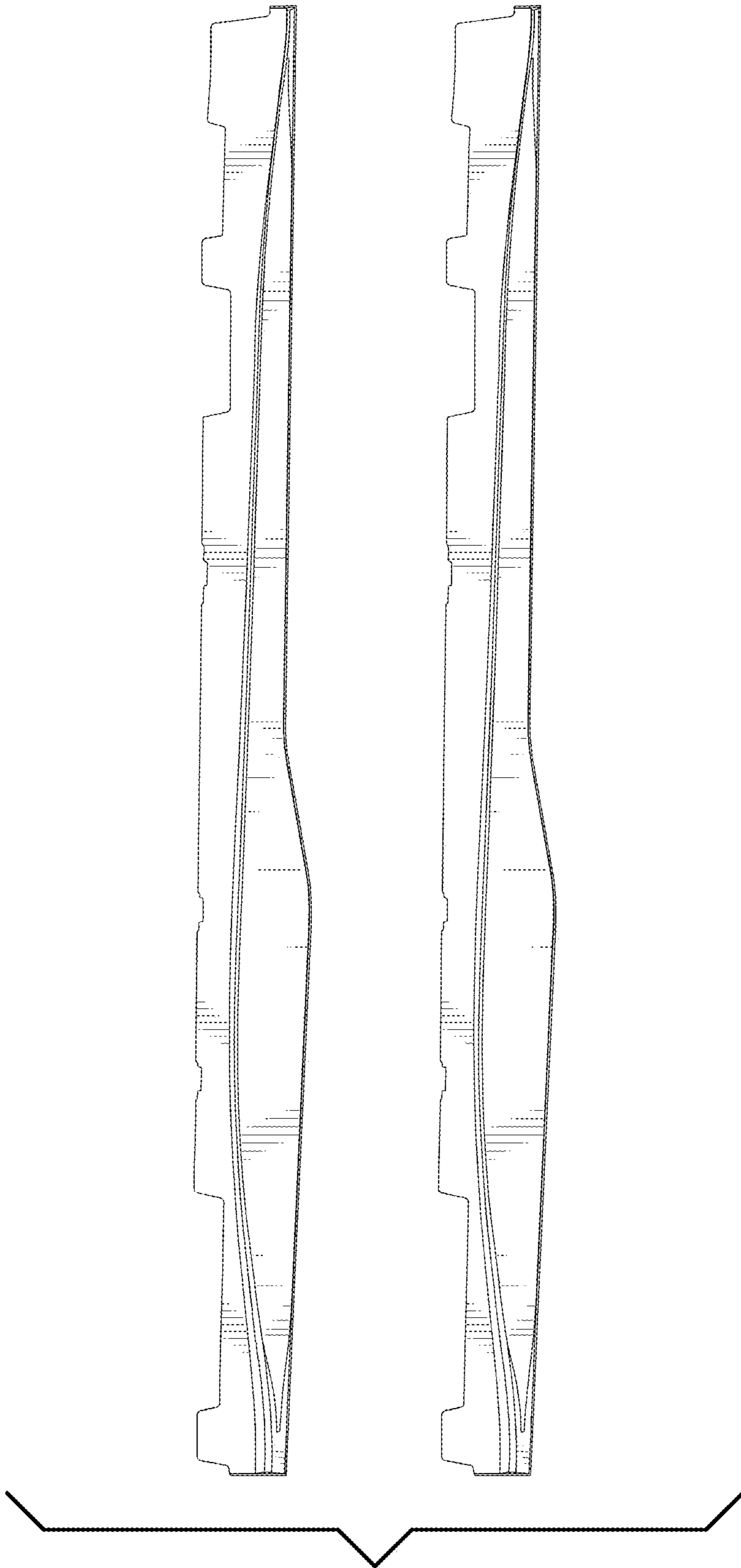


FIG. 6

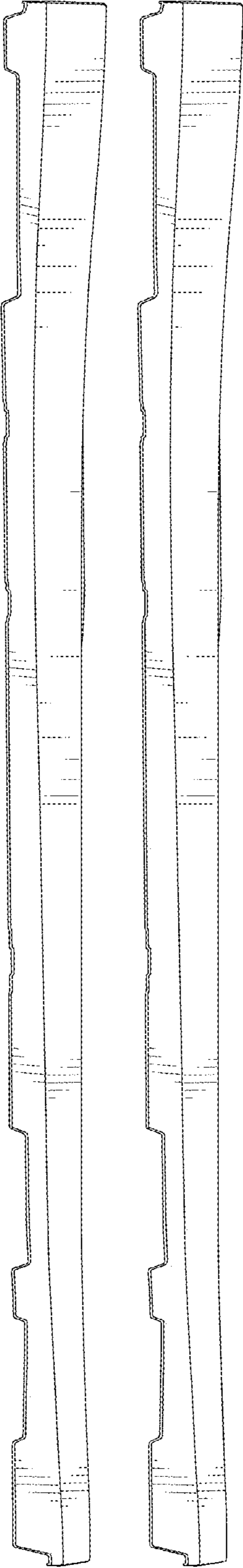


FIG. 7

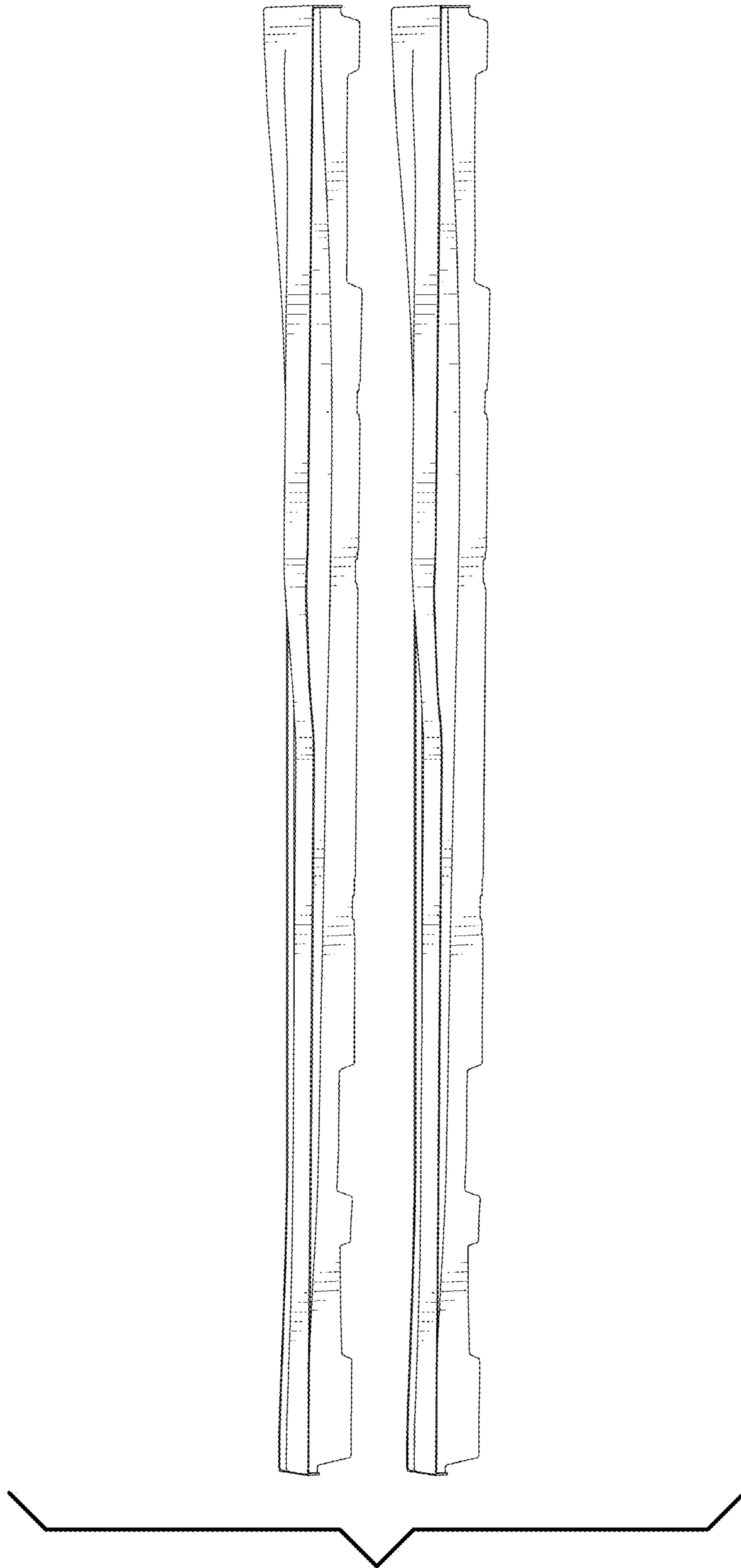


FIG. 8

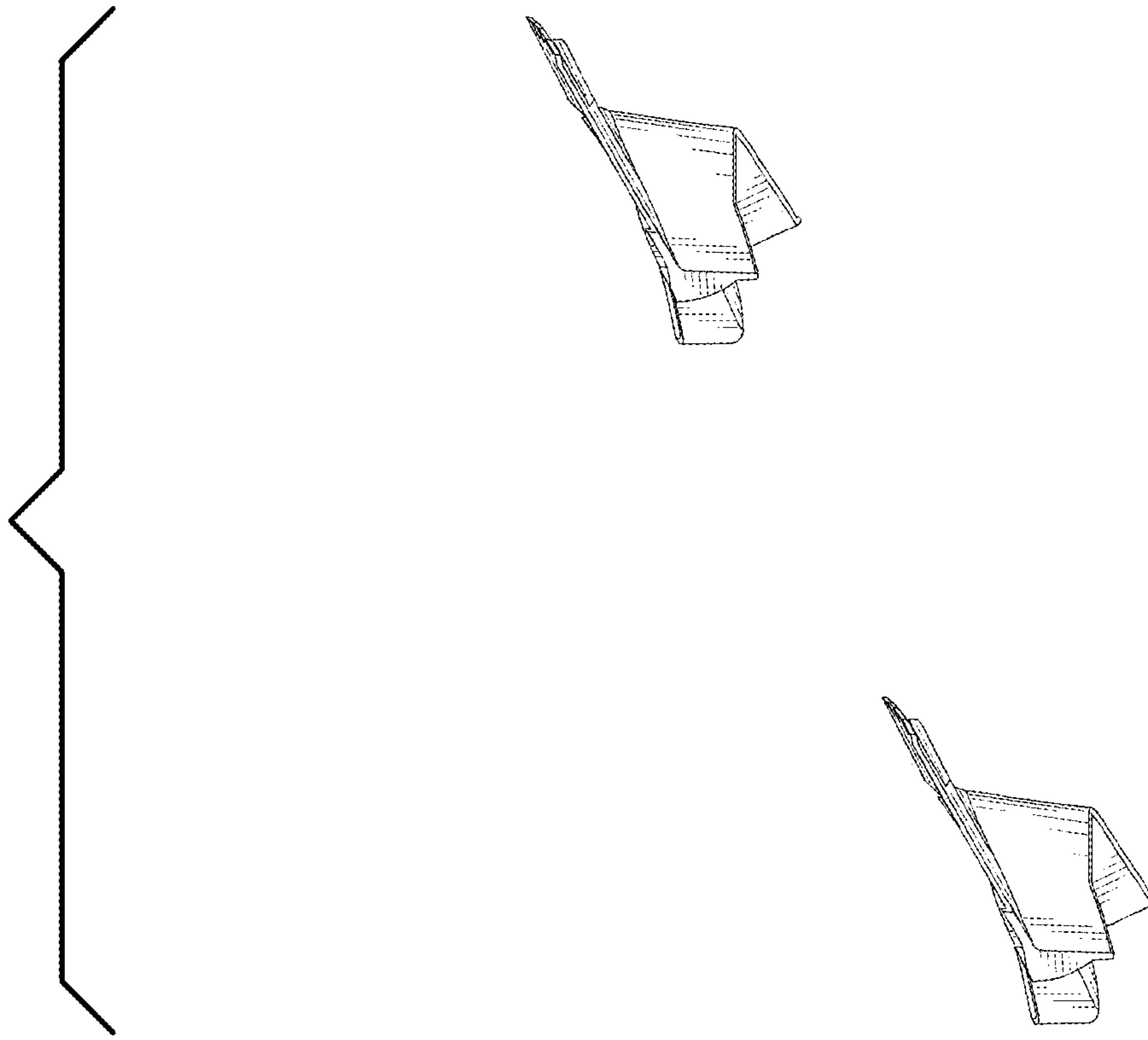


FIG. 9

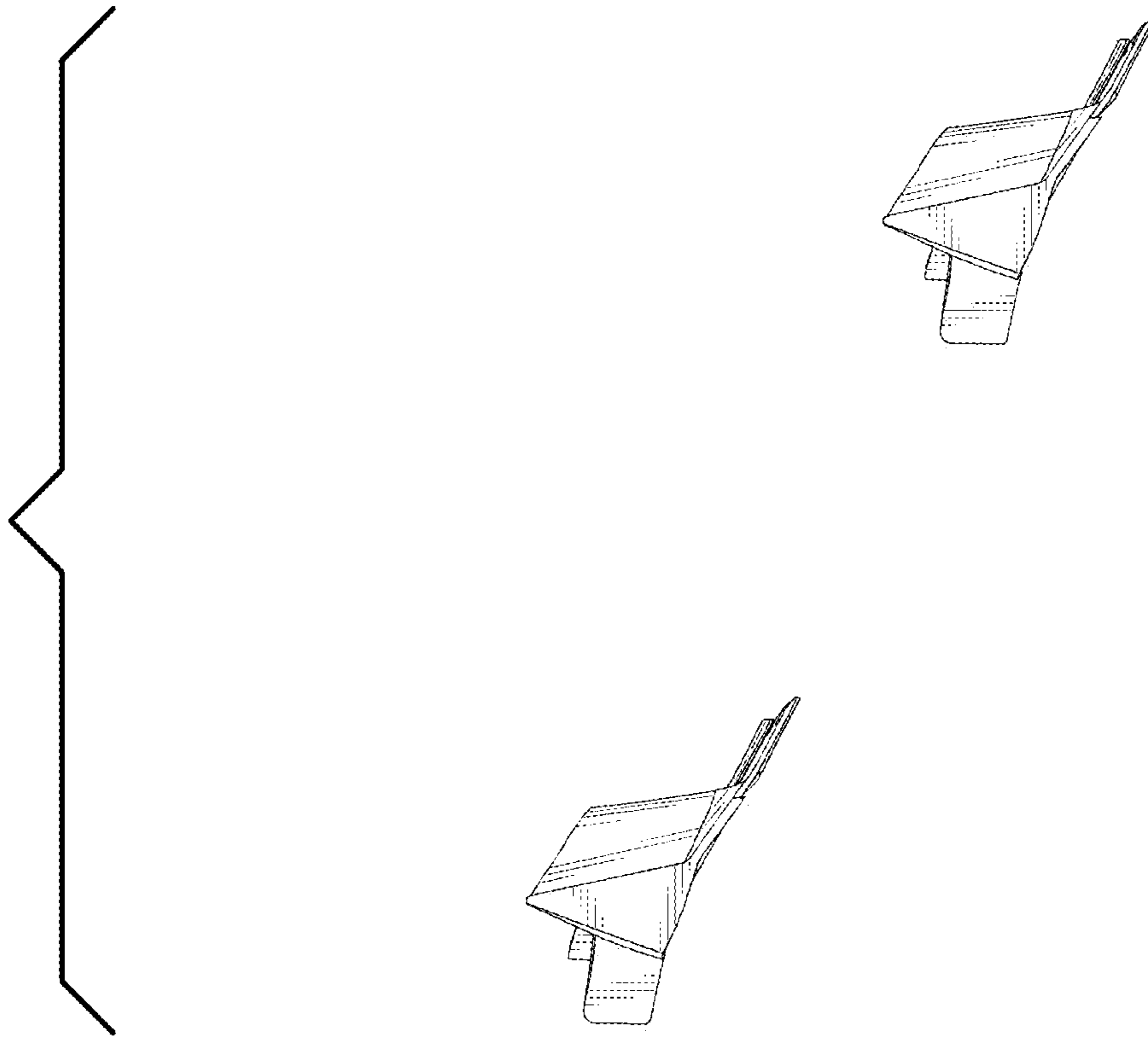


FIG. 10