

US0D1025847S

(12) **United States Design Patent** (10) **Patent No.:** **US D1,025,847 S**
Collins et al. (45) **Date of Patent:** **** May 7, 2024**

(54) **MODEL VEHICLE TRAILER HITCH**

OTHER PUBLICATIONS

(71) Applicant: **TRAXXAS, L.P.**, McKinney, TX (US)

“Curt 45030 Class 3 Trailer Hitch Ball Mount, Fits 2-Inch Receiver, 7,500 lbs, 1-Inch Hole, 2-In Drop, 3/4 Inch” amazon.com, post Published Dec. 2, 2005. Retrieved Oct. 16, 2023. Available online at URL:https://www.amazon.com/CURT-45030-Trailer-2-Inch-Receiver/dp/B000P3WW12/ref=sr_1_2?crd=1E0X0 (Year: 2005).*
“Kolpin 3-Way Hitch, 2-Inch—85620 , Black : Automotive” amazon.com, post Published Jul. 7, 2010. Retrieved Oct. 16, 2023. Available online at URL:https://www.amazon.com/gp/offer-listing/B001Q4VILY/ref=dp_olp_ALL_mbc?ie=UTF8&condition=ALL (Year: 2010).*

(72) Inventors: **Trent Collins**, McKinney, TX (US);
Otto Karl Allmendinger, Rowlett, TX (US); **Kent Poteet**, Lucas, TX (US);
Adam Cole Ewing, McKinney, TX (US)

(73) Assignee: **TRAXXAS, L.P.**, McKinney, TX (US)

* cited by examiner

(**) Term: **15 Years**

Primary Examiner — Christian P. McLean

(21) Appl. No.: **29/852,577**

Assistant Examiner — Jessica Lynn Devilbiss

(22) Filed: **Sep. 8, 2022**

(74) *Attorney, Agent, or Firm* — Daryl R. Wright; Greg Carr

(51) **LOC (14) Cl.** **12-16**

(52) **U.S. Cl.**
USPC **D12/162**

(57) **CLAIM**

(58) **Field of Classification Search**
USPC D12/162, 101, 102, 103, 104, 105, 106,
D12/413; D21/599, 561, 552, 548;
D8/330, 331, 323; D13/139.5, 133, 149,
D13/154
CPC B60D 1/60; B60D 1/54
See application file for complete search history.

We claim the ornamental design for a model vehicle trailer hitch, as shown and described.

DESCRIPTION

(56) **References Cited**

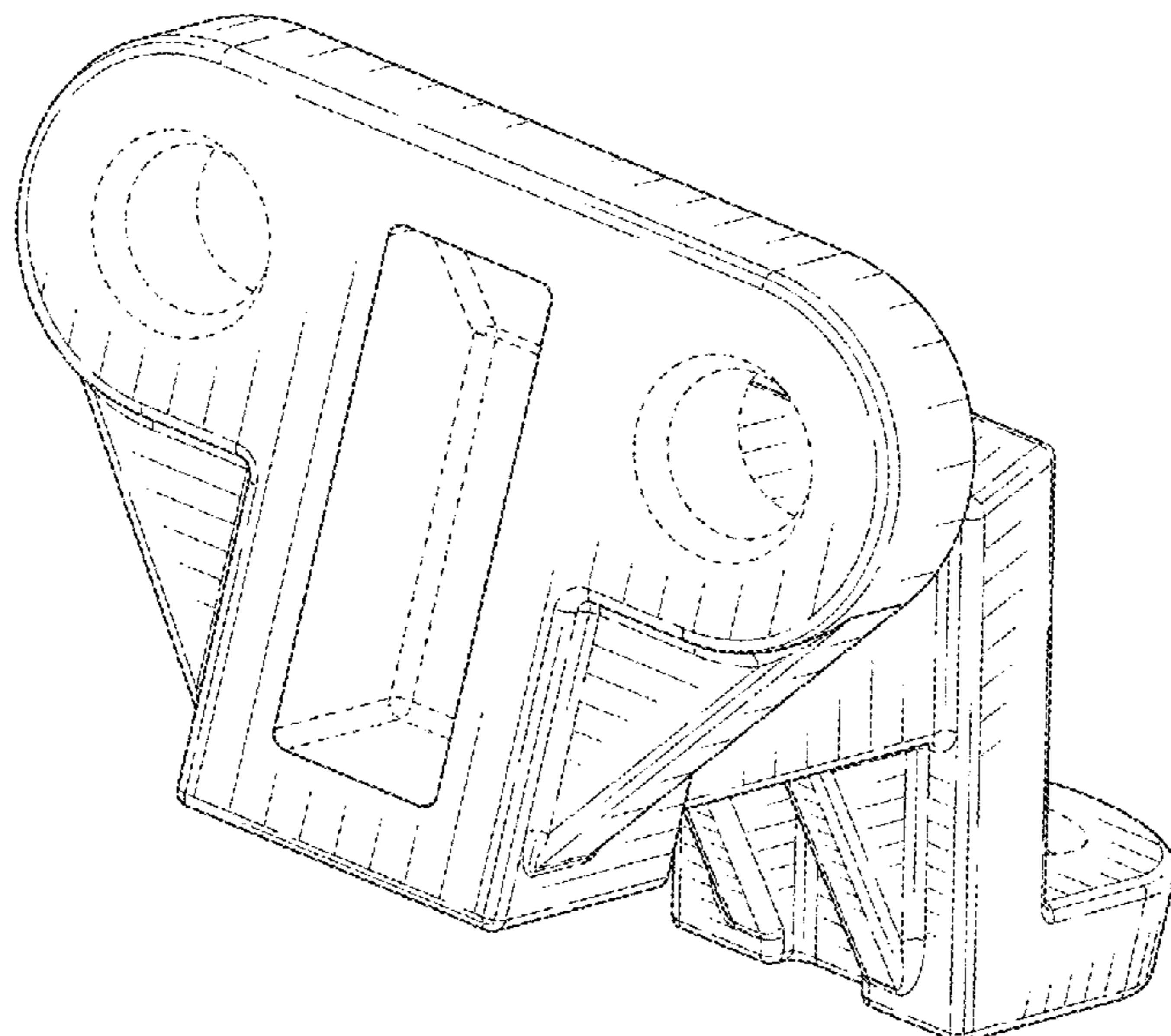
U.S. PATENT DOCUMENTS

D349,875 S *	8/1994	Blodgett	D12/162
D553,056 S *	10/2007	Eberle	D12/162
D662,863 S *	7/2012	Scruggs	D12/162
D709,803 S *	7/2014	Lancaster	D12/162
D729,704 S *	5/2015	Song	D12/162
D778,211 S *	2/2017	DePietro	D12/162
D947,958 S *	4/2022	Christensen	D12/159
D966,956 S *	10/2022	Huang	D12/162
D996,528 S *	8/2023	Christensen	D21/562
D997,043 S *	8/2023	Olaru	D12/162
2022/0379674 A1 *	12/2022	Bernart	B60D 1/46

FIG. 1 is an upper, left, front perspective view of a model vehicle trailer hitch showing our new design;
FIG. 2 is a front elevation view thereof;
FIG. 3 is a rear elevation view thereof;
FIG. 4 is an upper plan view thereof;
FIG. 5 is a lower plan view thereof;
FIG. 6 is a right side elevation view thereof;
FIG. 7 is a left side elevation view thereof;
FIG. 8 is an upper, right, rear perspective view thereof; and,
FIG. 9 is a lower, left, front perspective view of the model vehicle trailer hitch.

In the drawings, the broken lines illustrate portions of the model vehicle trailer hitch that form no part of the claimed design.

1 Claim, 6 Drawing Sheets



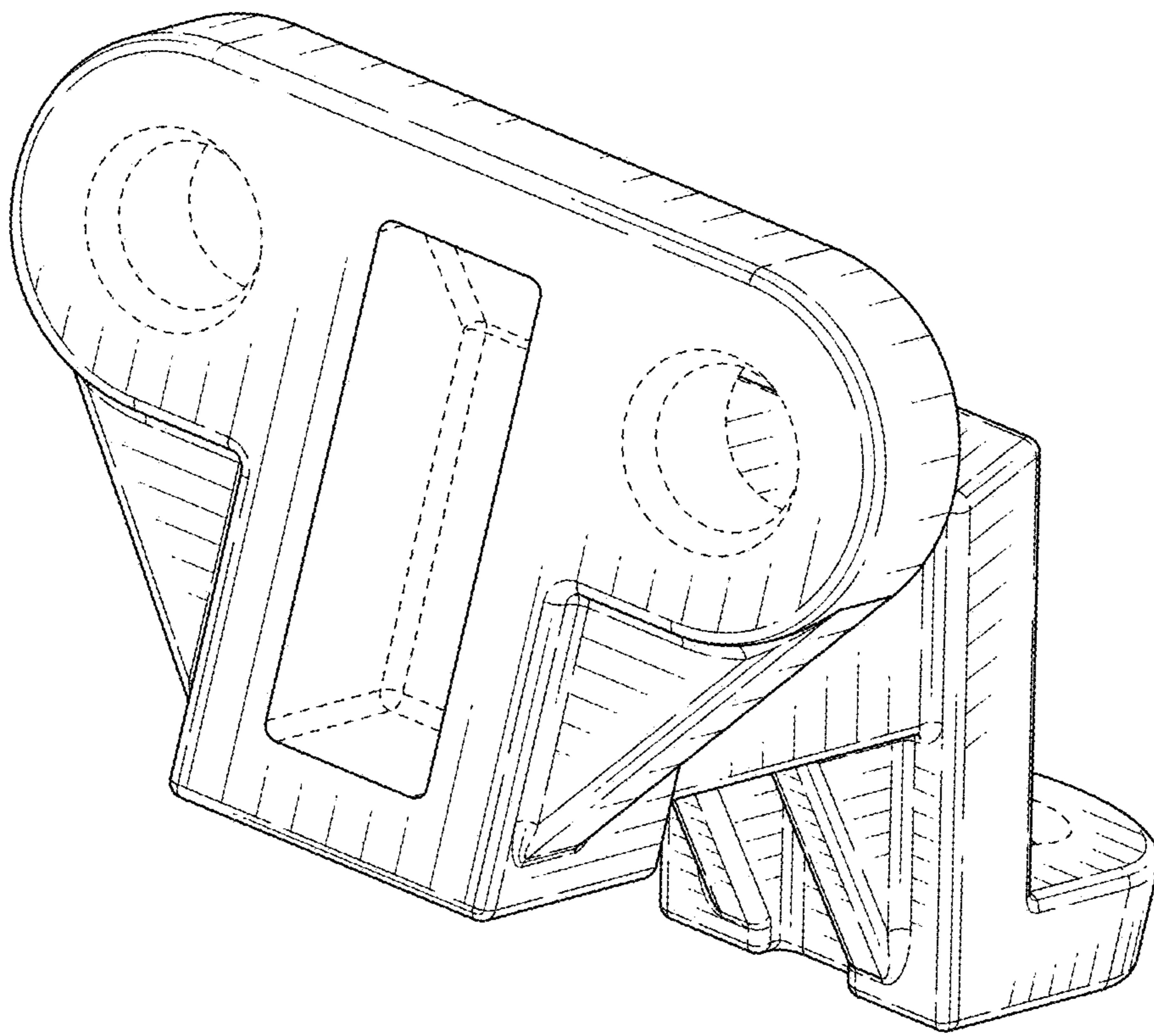


FIG. 1

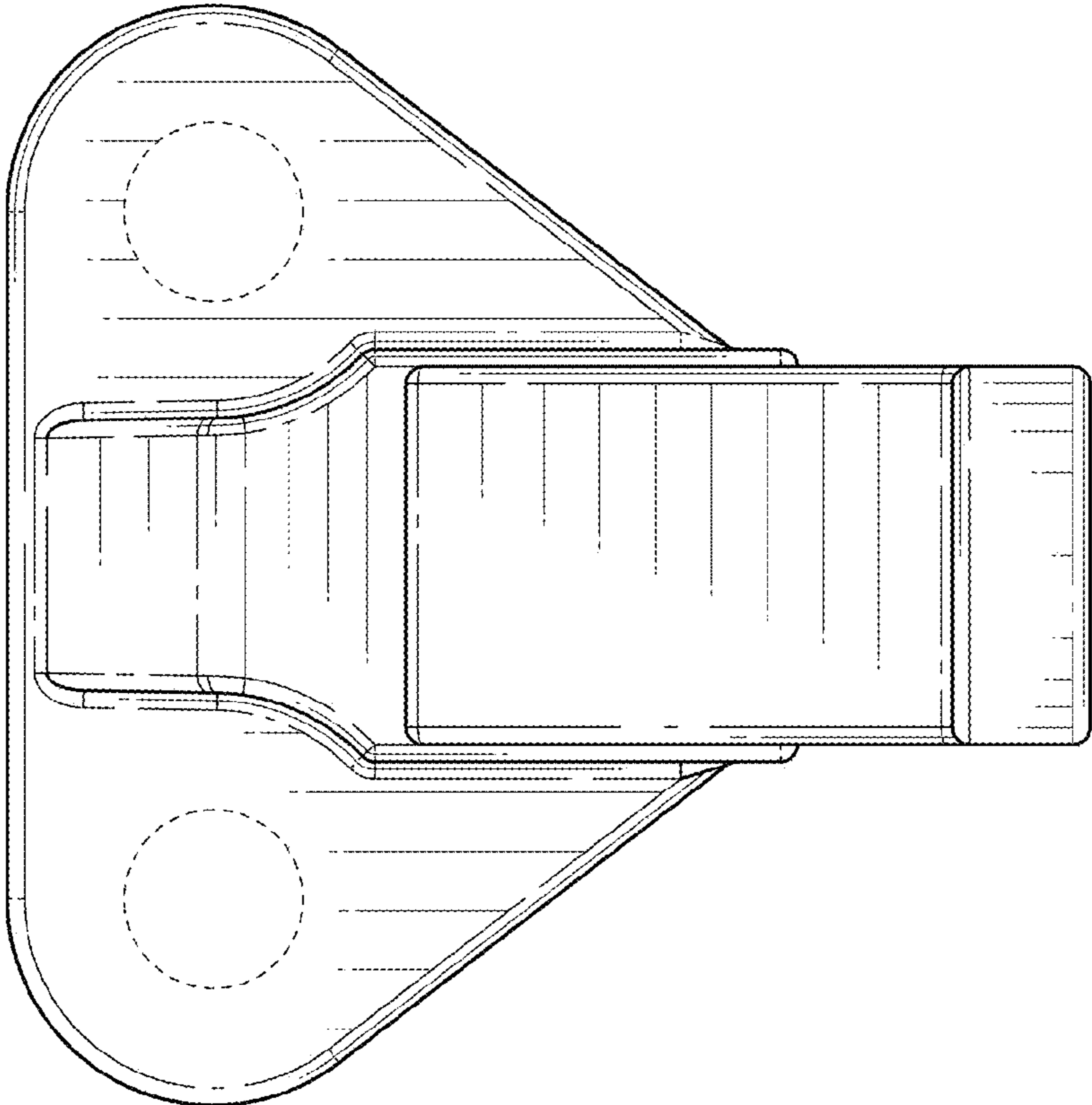


FIG. 3

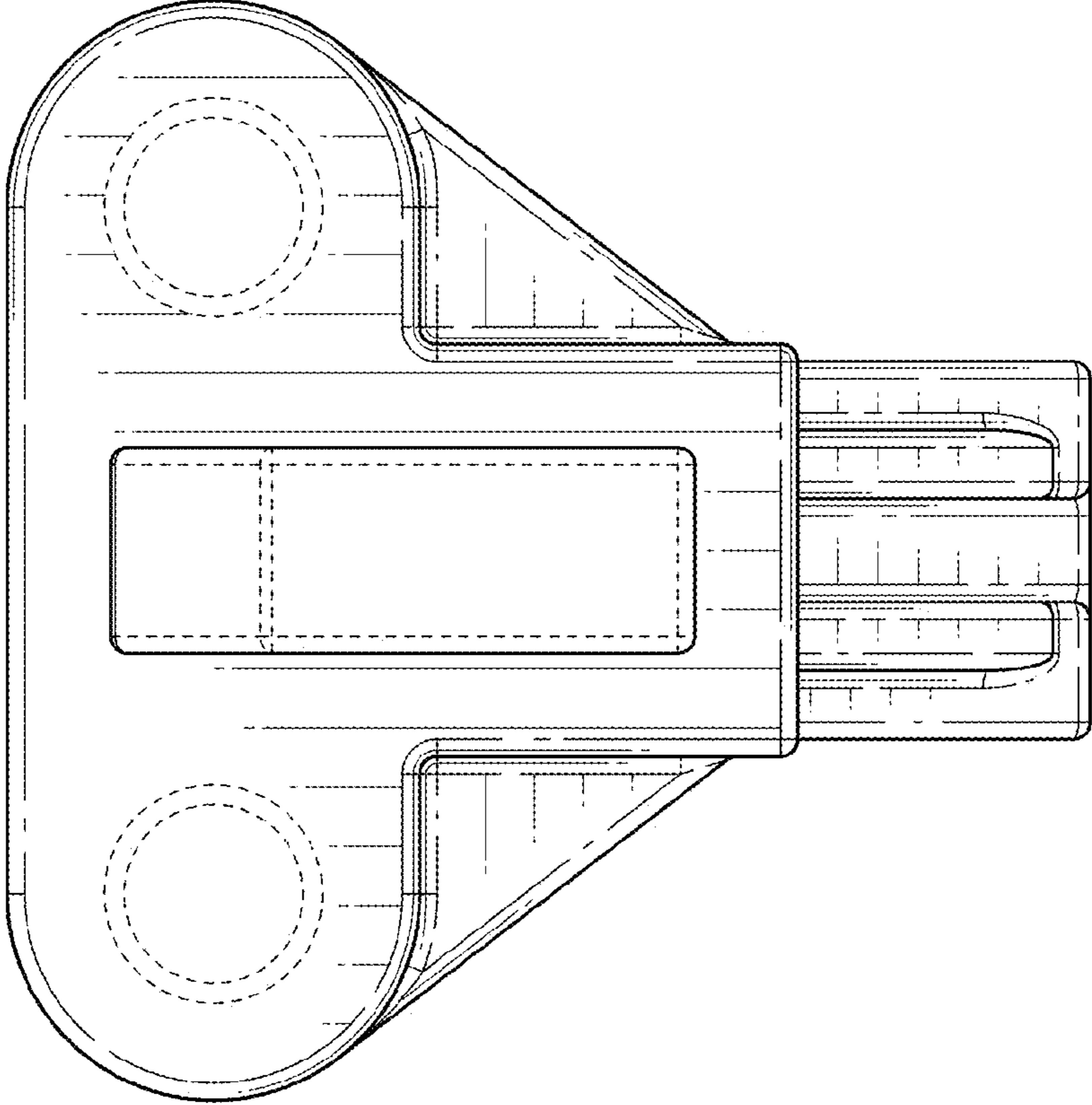


FIG. 2

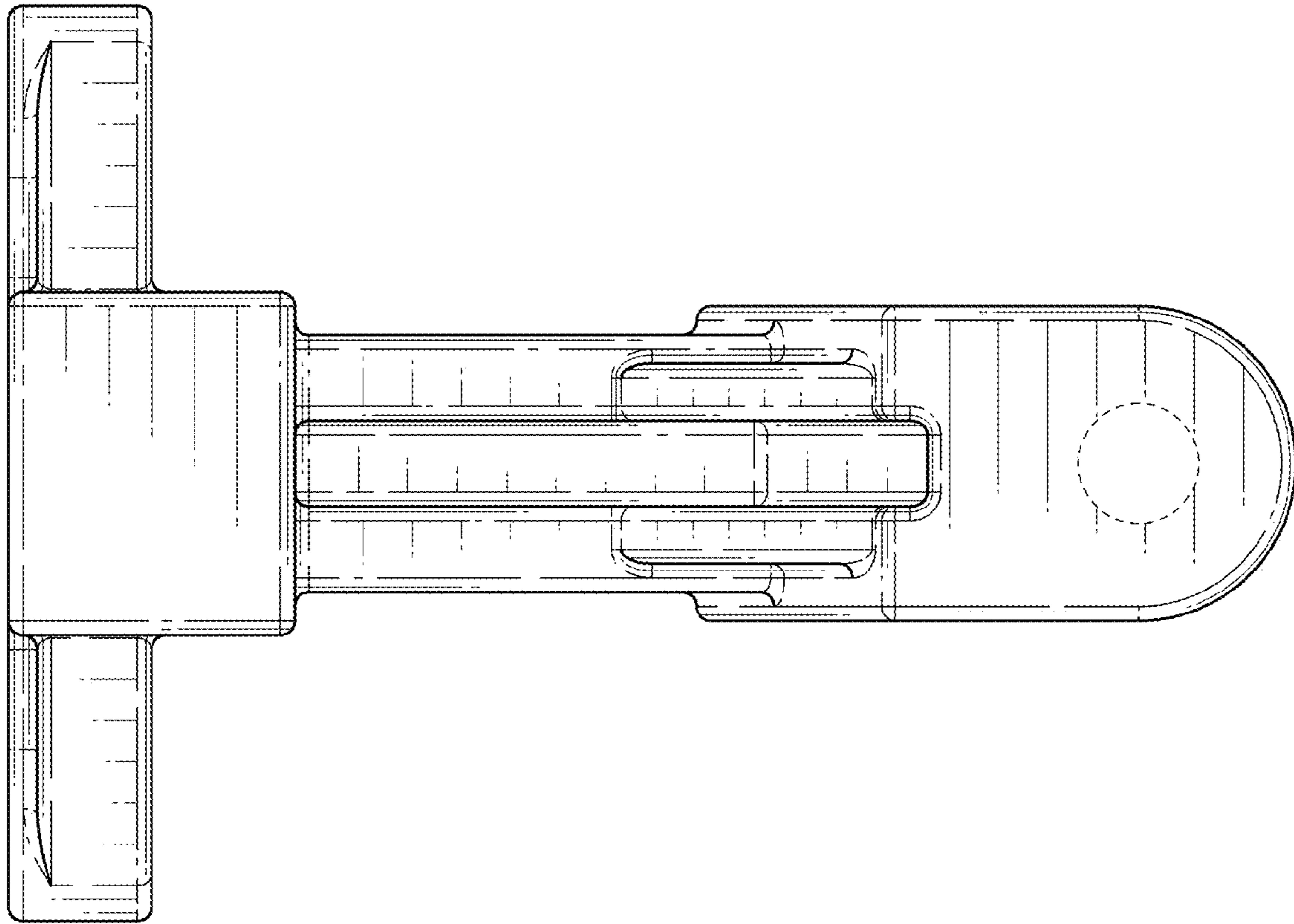


FIG. 5

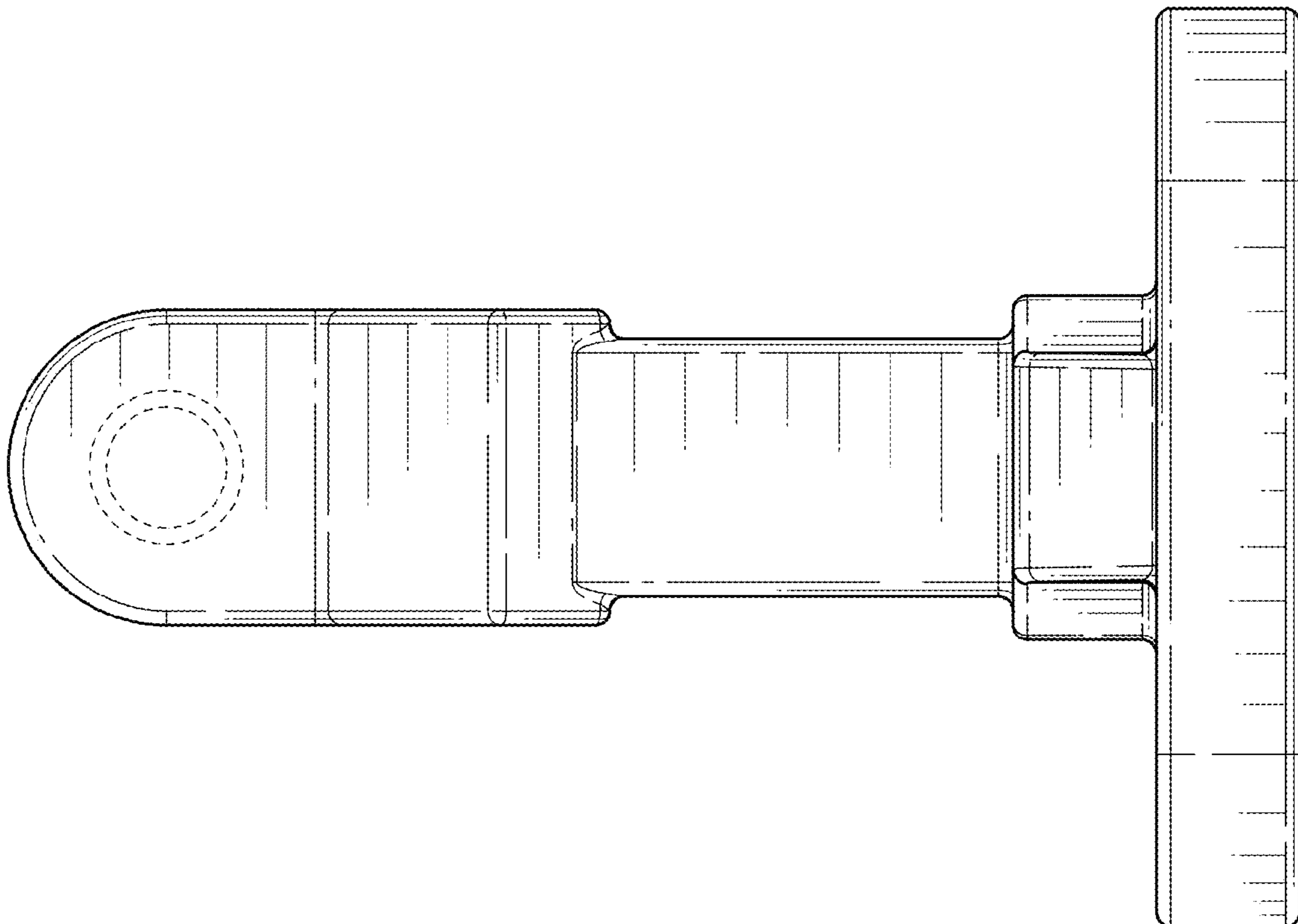


FIG. 4

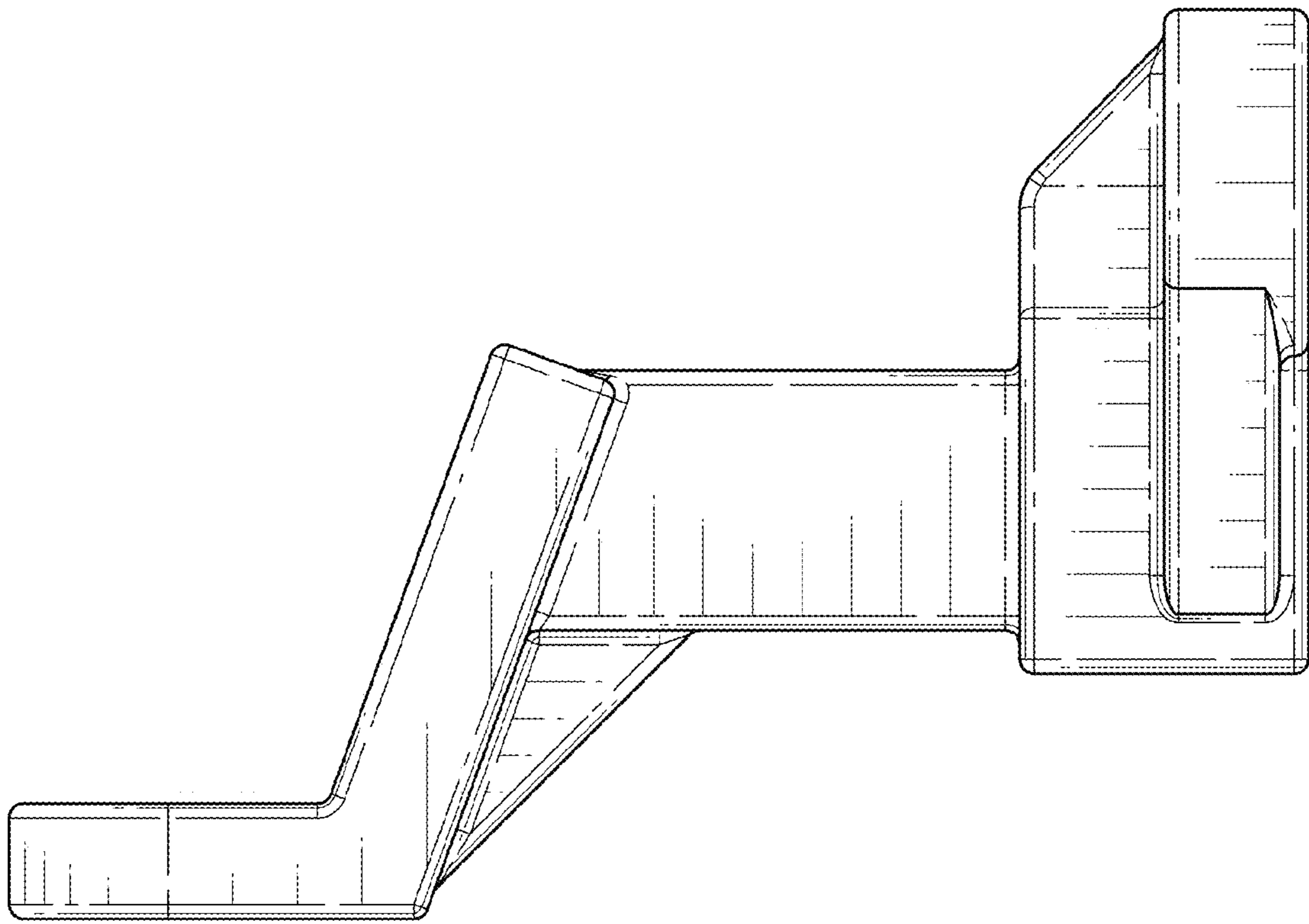


FIG. 6

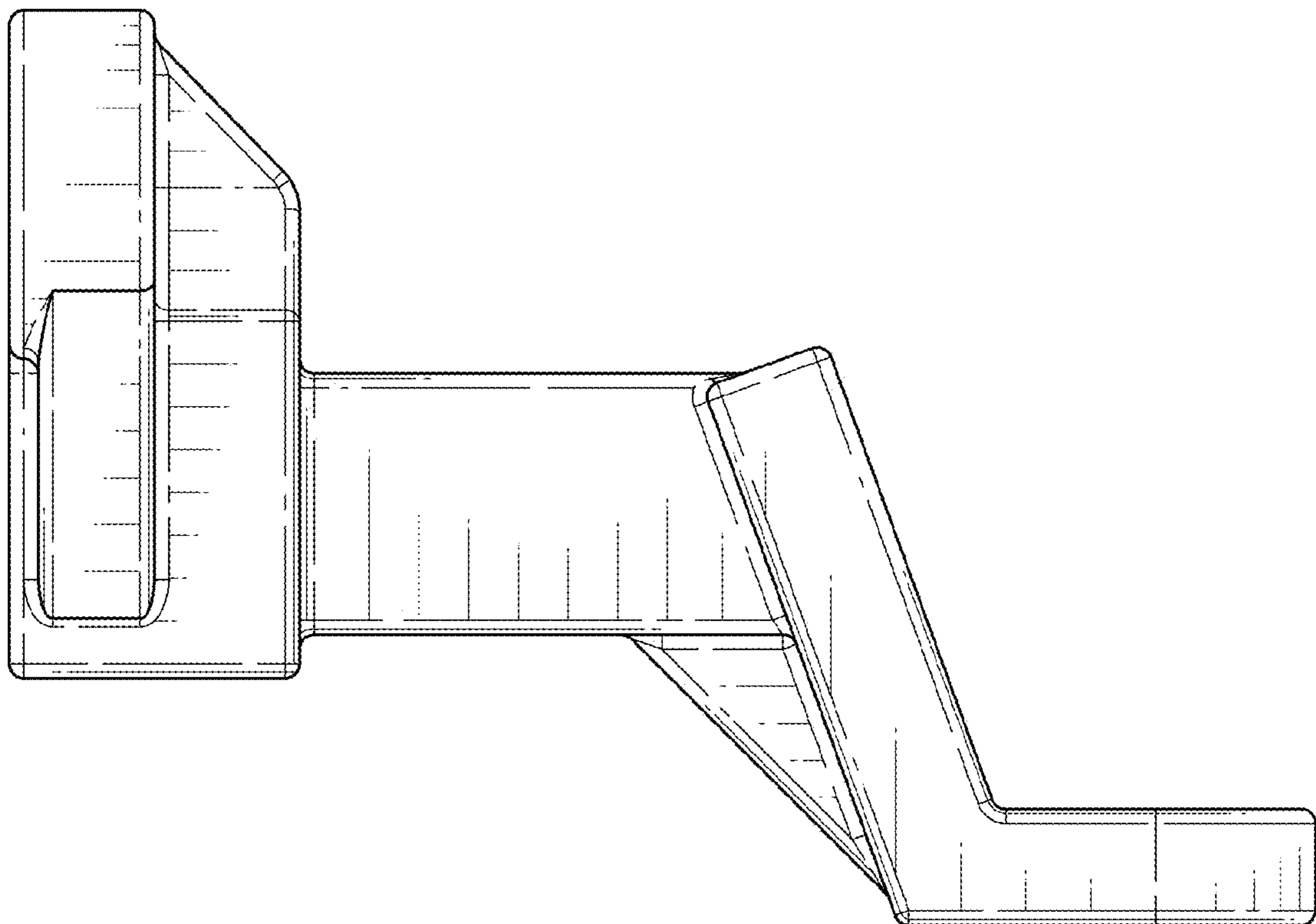


FIG. 7

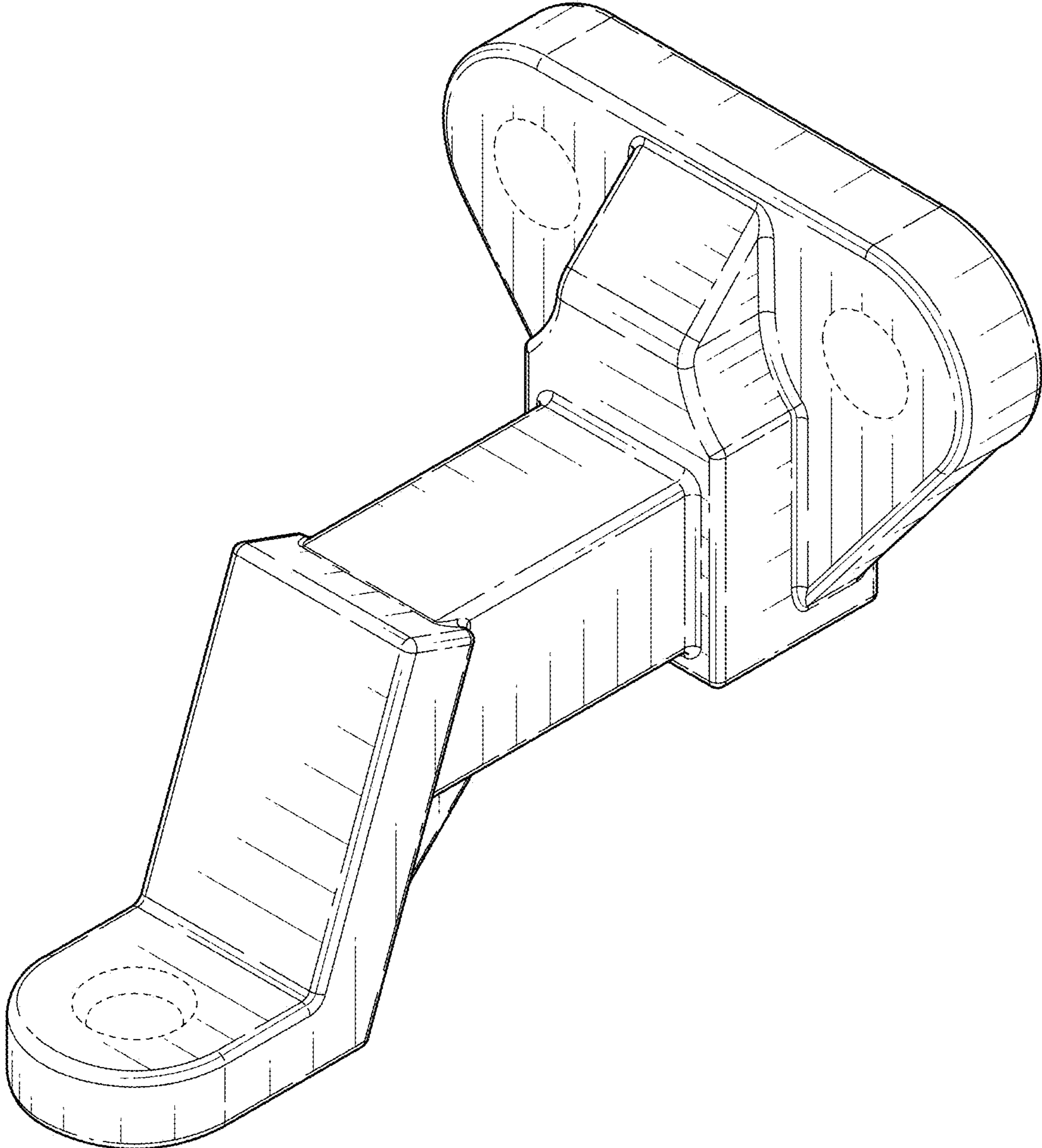


FIG. 8

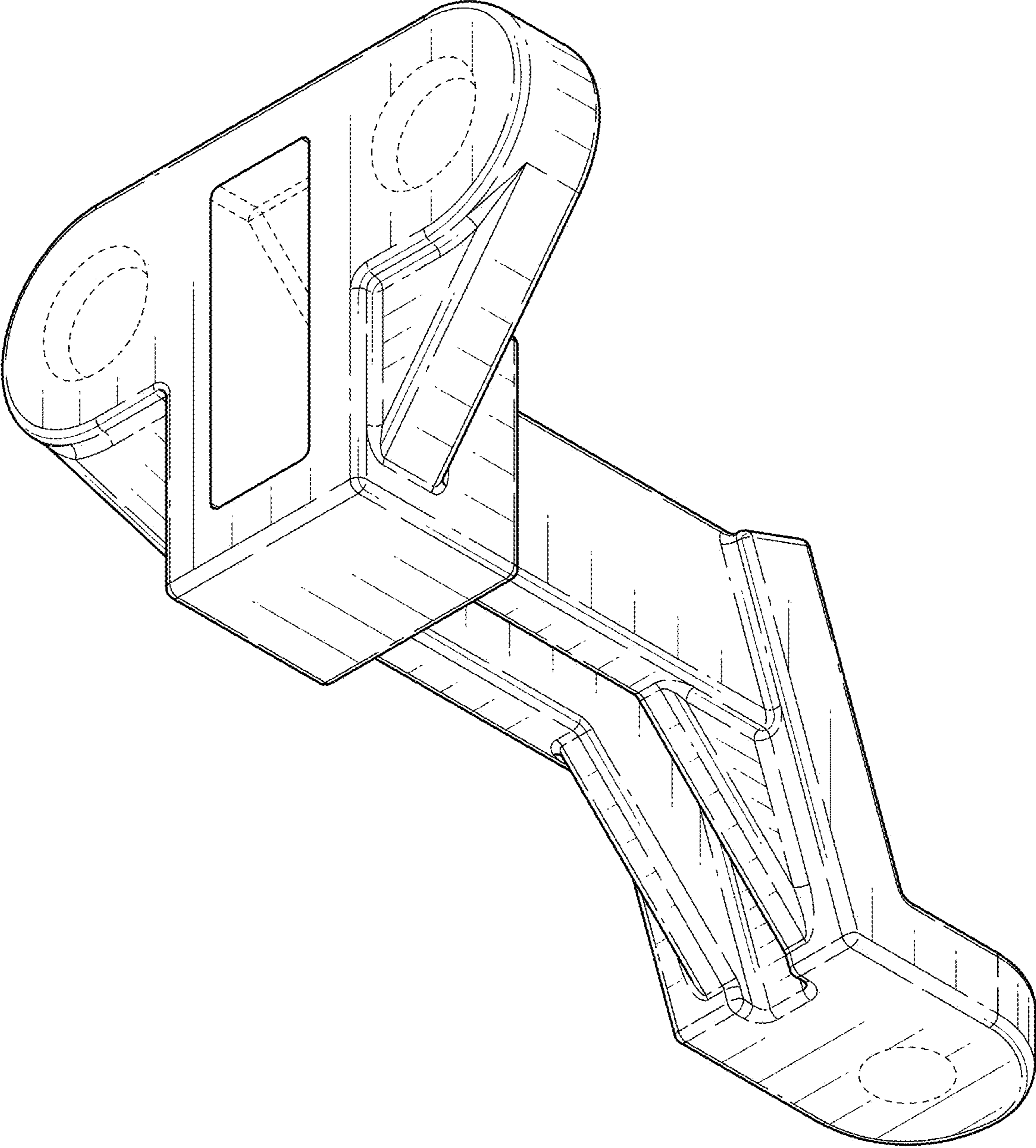


FIG. 9