



US0D1025809S

(12) **United States Design Patent** (10) **Patent No.:** **US D1,025,809 S**  
**Amfitheatrof** (45) **Date of Patent:** **\*\* May 7, 2024**

(54) **JEWELRY**  
(71) Applicant: **LOUIS VUITTON MALLETIER**,  
Paris (FR)

(72) Inventor: **Francesca Amfitheatrof**, Paris (FR)

(73) Assignee: **LOUIS VUITTON MALLETIER**,  
Paris (FR)

(\*\*) Term: **15 Years**

(21) Appl. No.: **29/745,985**

(22) Filed: **Aug. 11, 2020**

(30) **Foreign Application Priority Data**

Feb. 14, 2020 (FR) ..... 2020-0772

(51) **LOC (14) Cl.** ..... **11-01**

(52) **U.S. Cl.**  
USPC ..... **D11/4**

(58) **Field of Classification Search**  
USPC ..... D11/26-29, 33-39, 4  
CPC ..... A44C 9/00; A44C 9/0038; A44C 9/0046;  
A44C 9/0084; A44C 9/0092; A44C 9/02  
See application file for complete search history.

(56) **References Cited**

**U.S. PATENT DOCUMENTS**

D360,162 S \* 7/1995 Doherty ..... D11/26  
D472,177 S \* 3/2003 McCullough-McPherson .....  
D11/4  
D784,841 S \* 4/2017 Amfitheatrof ..... D11/27  
D830,875 S \* 10/2018 Turpin ..... D11/4  
D842,752 S \* 3/2019 Hardy ..... D11/26  
D881,740 S \* 4/2020 Amfitheatrof ..... D11/4  
D922,895 S \* 6/2021 Liu ..... D11/26

D922,899 S \* 6/2021 Ismail ..... D11/35  
D983,073 S \* 4/2023 Amfitheatrof ..... D11/27  
D986,758 S \* 5/2023 Amfitheatrof ..... D11/4

**FOREIGN PATENT DOCUMENTS**

CN 308063175 \* 6/2023

**OTHER PUBLICATIONS**

Louis Vuitton's LV Volt Collection is a bold step, available Aug. 20, 2020, online, site visited Jun. 10, 2023. Available online, URL: <https://www.lifestyleasia.com/sg/style/jewellery/louis-vuitton-lv-volt-unisex-fine-jewellery-collection/> (Year: 2020).\*

From Cartier's Love Bracelet to Louis Vuitton's Volt, available Feb. 23, 2023, online, site visited Feb. 23, 2023. Available online, URL: <https://robbreport.com/style/jewelry/from-cartier-to-tiffany-amp-co-and-louis-vuitton-the-must-have-it-bangle-competition-1234811022/> (Year: 2023).\*

\* cited by examiner

*Primary Examiner* — W. A. Teddy Falloway

*Assistant Examiner* — Sarah J Ault

(74) *Attorney, Agent, or Firm* — Fross, Zelnick, Lehrman & Zissu, P.C.; Charles T. J. Weigell, Esq.

(57) **CLAIM**

The ornamental design for jewelry, as shown and described.

**DESCRIPTION**

FIG. 1 is a perspective view of the jewelry showing my new design;

FIG. 2 is a front view thereof;

FIG. 3 is a back view thereof;

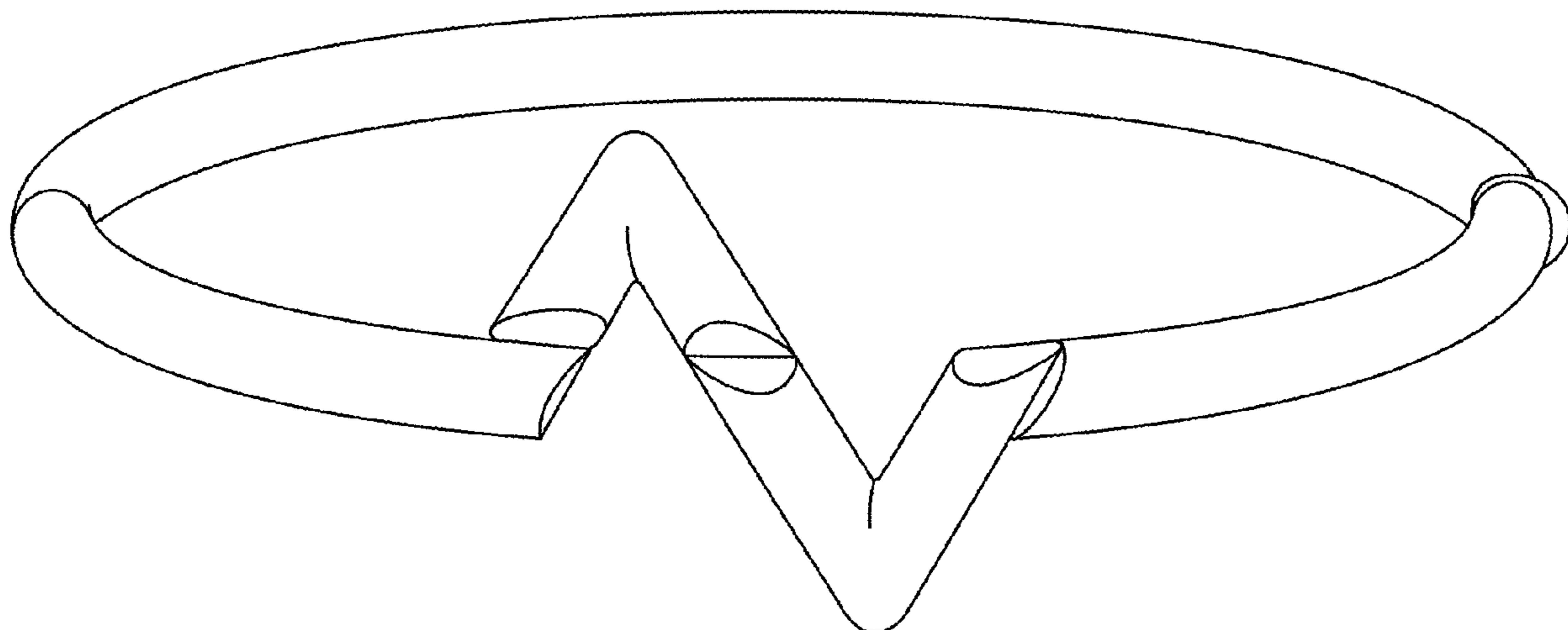
FIG. 4 is a right side view thereof;

FIG. 5 is a left side view thereof;

FIG. 6 is a top view thereof; and,

FIG. 7 is a bottom view thereof.

**1 Claim, 5 Drawing Sheets**



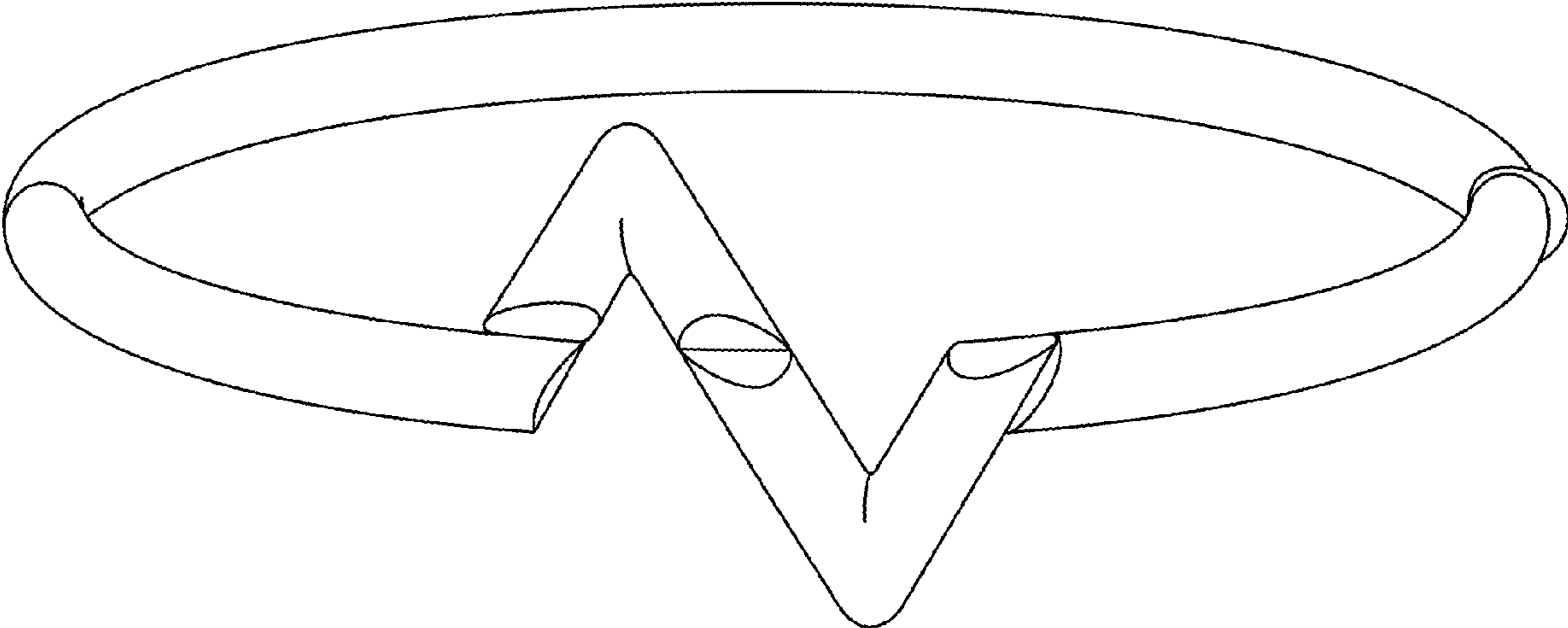


FIG. 1

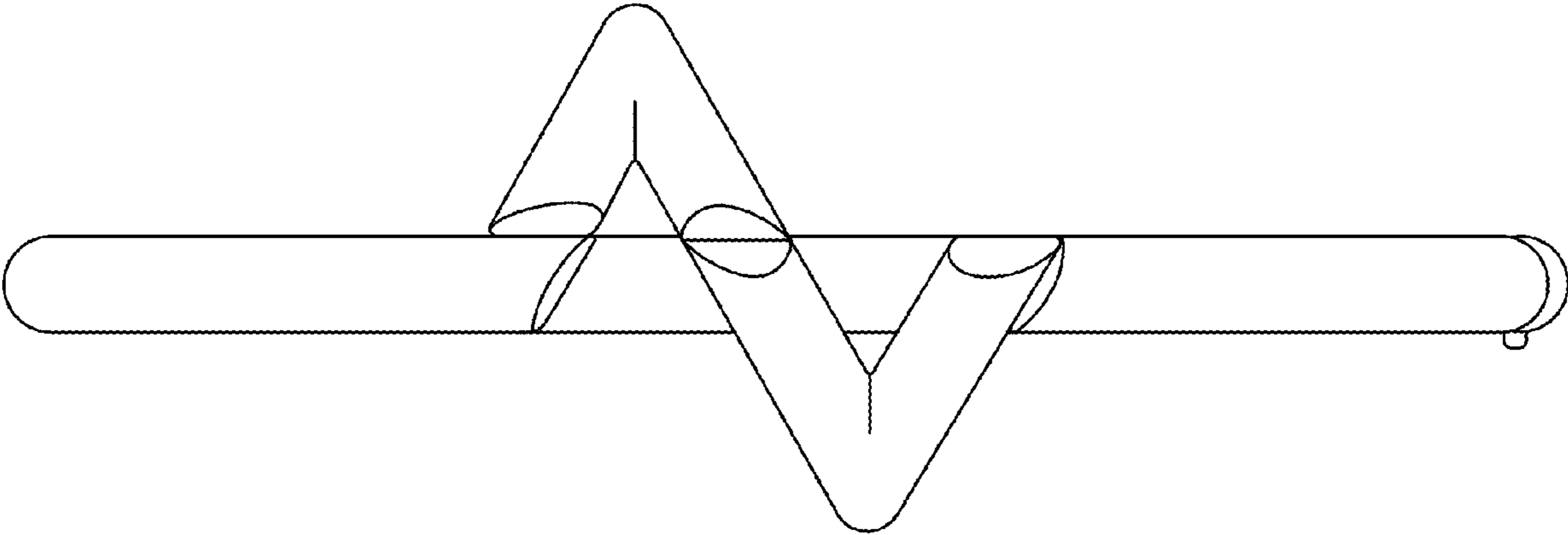


FIG. 2

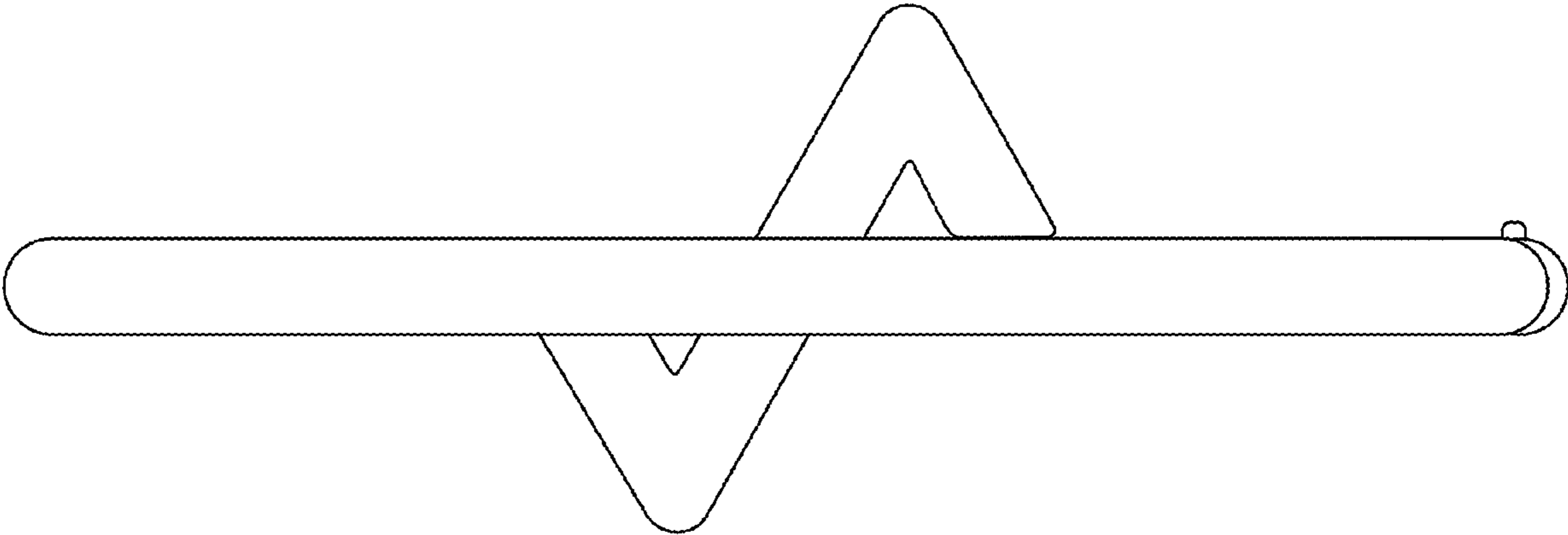


FIG. 3

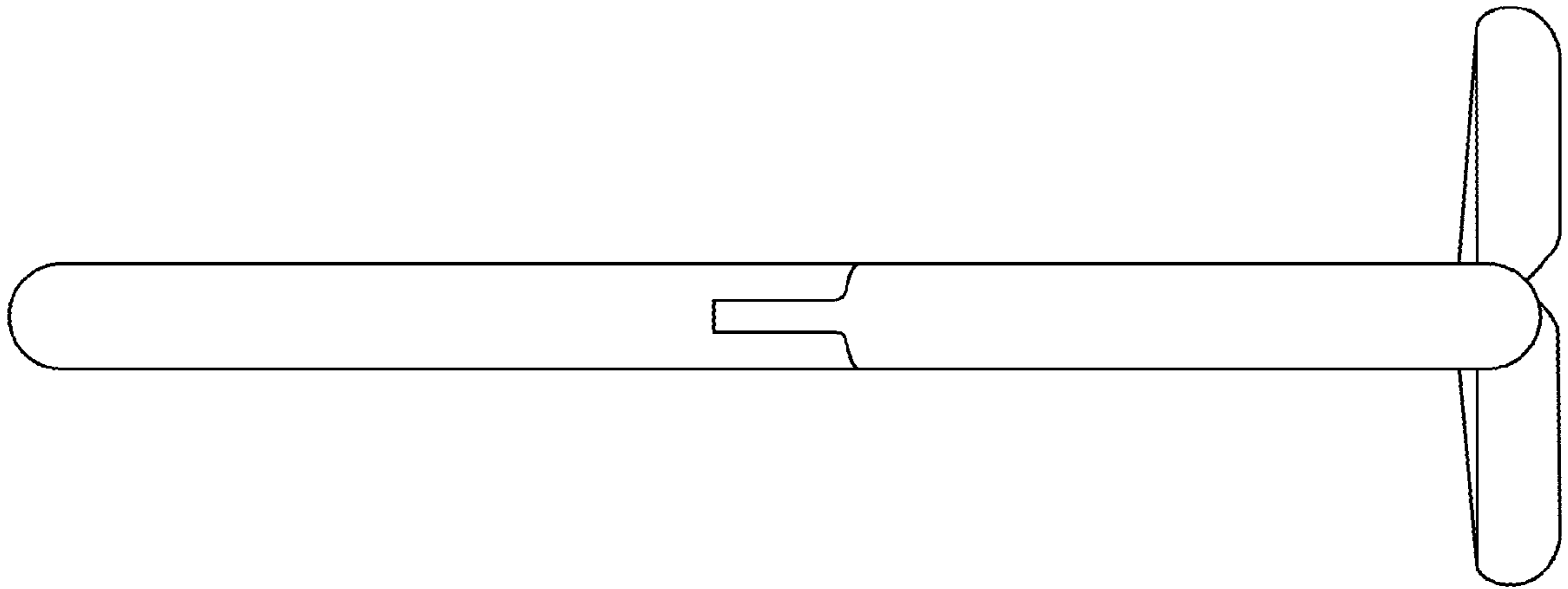


FIG. 4

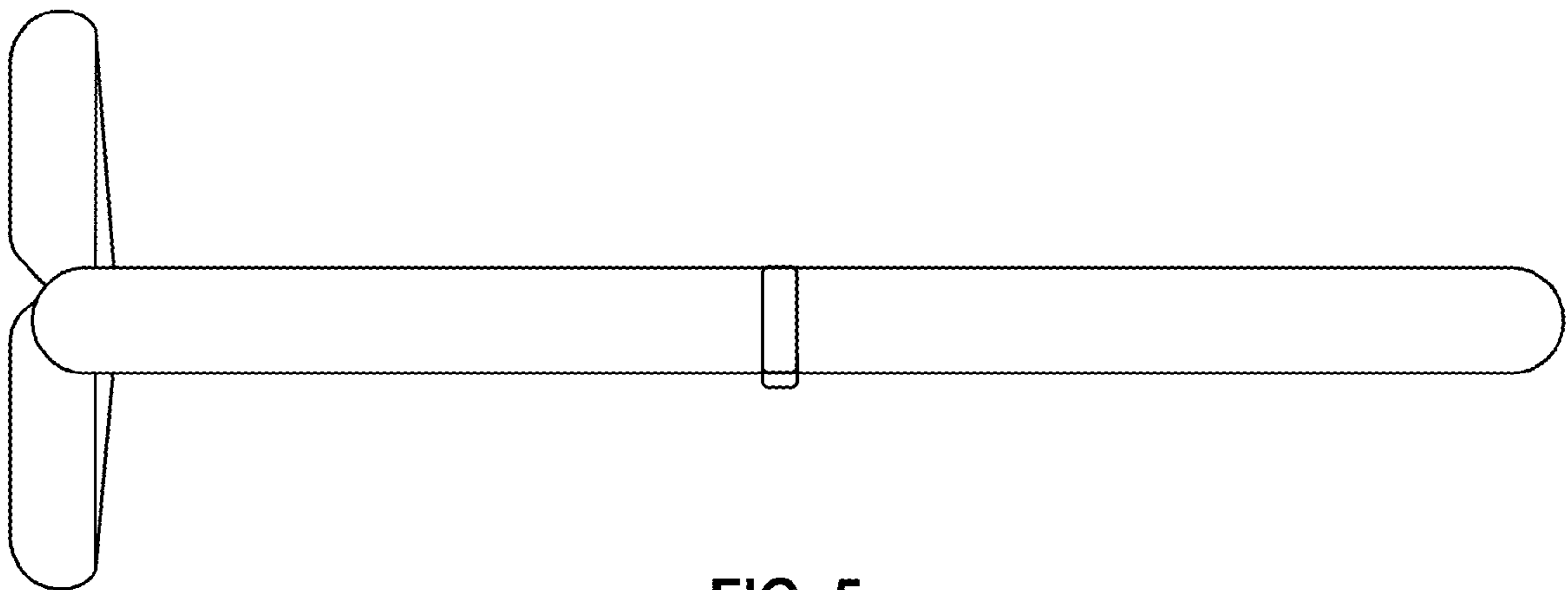


FIG. 5

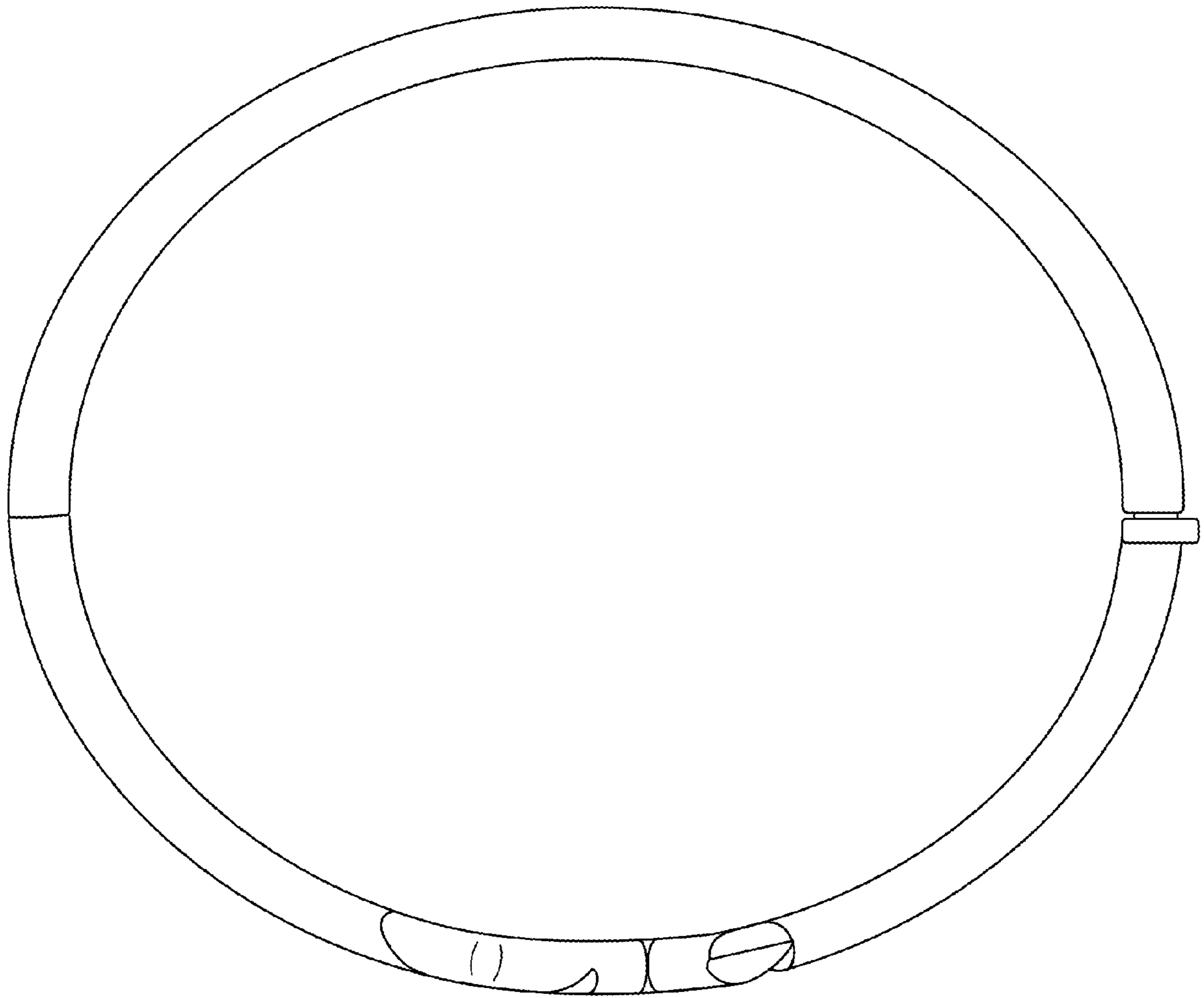


FIG. 6

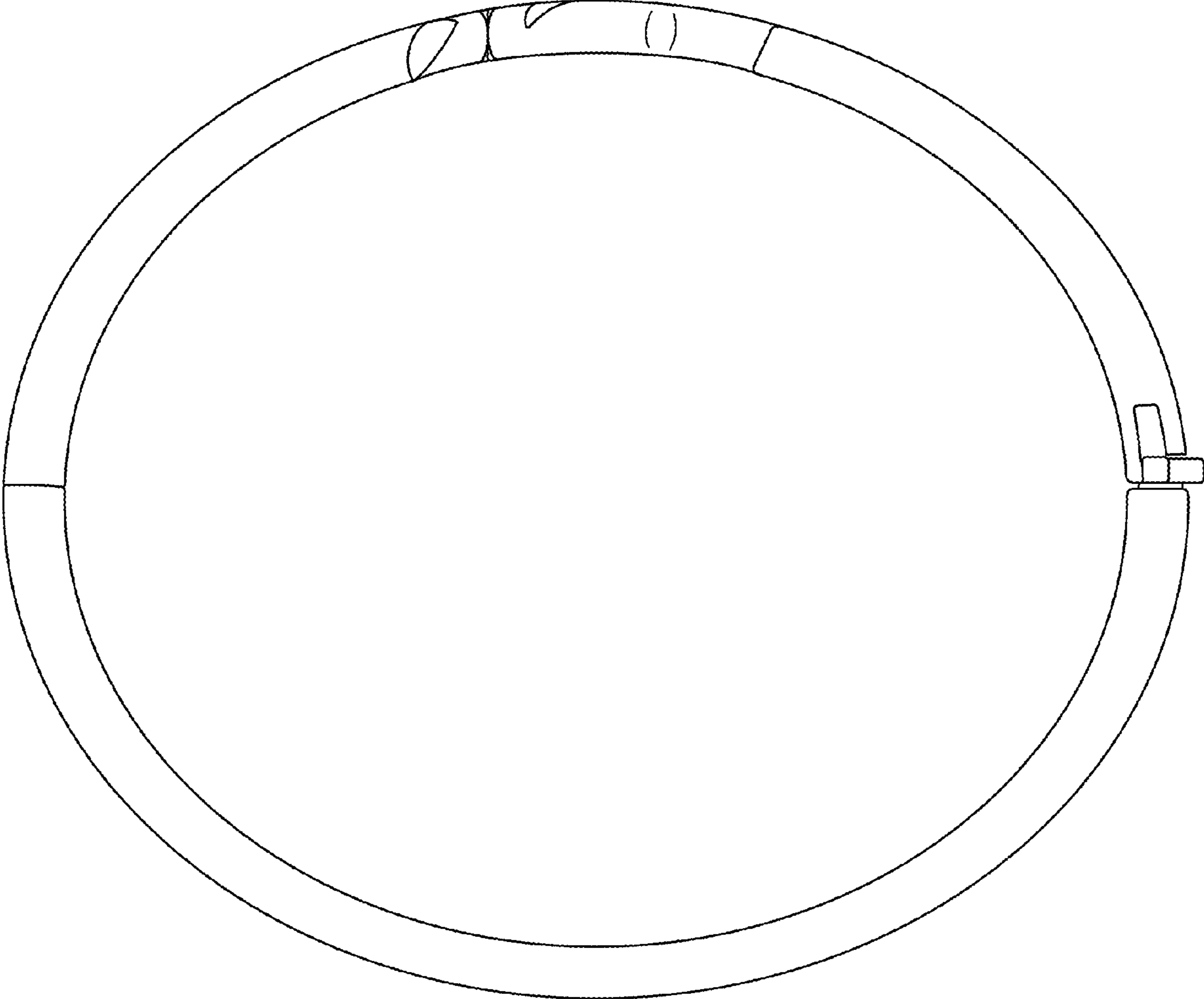


FIG. 7