



US0D1025688S

(12) **United States Design Patent** (10) **Patent No.:** **US D1,025,688 S**
Wang (45) **Date of Patent:** **** May 7, 2024**

(54) **PLUNGER POT**

D718,567 S * 12/2014 Lu D7/319
D795,630 S 8/2017 McLean et al.
2017/0071399 A1* 3/2017 Constantine A47J 31/4403

(71) Applicant: **ABORDER PRODUCTS, INC.**,
Irving, TX (US)

FOREIGN PATENT DOCUMENTS

(72) Inventor: **Xuzhong Wang**, Shenzhen (CN)

CN 306001550 * 8/2020
CN 306409341 * 3/2021
GB 9004425650-0002 * 10/2017

(73) Assignee: **ABORDER PRODUCTS, INC.**,
Irving, TX (US)

OTHER PUBLICATIONS

(**) Term: **15 Years**

“La Cafetière Roma Stainless Steel,” Aug. 10, 2016, Adams + Russell Coffee Roasters, www.adamsandrussell.co.uk/products/supplies/stainless-steel-glass-cafetiere (Year: 2016).*

(21) Appl. No.: **29/788,110**

* cited by examiner

(22) Filed: **Mar. 16, 2021**

(30) **Foreign Application Priority Data**

Oct. 13, 2020 (CN) 202030605852.X

Primary Examiner — Joseph Kukella
Assistant Examiner — Arva P Adams

(51) **LOC (14) Cl.** **07-01**

(74) *Attorney, Agent, or Firm* — KLEMCHUK PLLC

(52) **U.S. Cl.**

USPC **D7/399**; D7/317; D7/319

(58) **Field of Classification Search**

(57) **CLAIM**

USPC D7/300, 316–322, 392.1, 396.2, 396.4,
D7/397, 399, 400, 619.1, 619.2, 620,
D7/622–624, 624.2, 624.3, 625

The ornamental design for a plunger pot, as shown and described.

CPC A47G 19/20; A47J 31/0663; A47J 31/18;
A47J 31/20; A47J 31/24; A47J 31/38;
A47J 31/44

DESCRIPTION

See application file for complete search history.

FIG. 1 is a perspective view of a plunger pot showing our new design;

(56) **References Cited**

U.S. PATENT DOCUMENTS

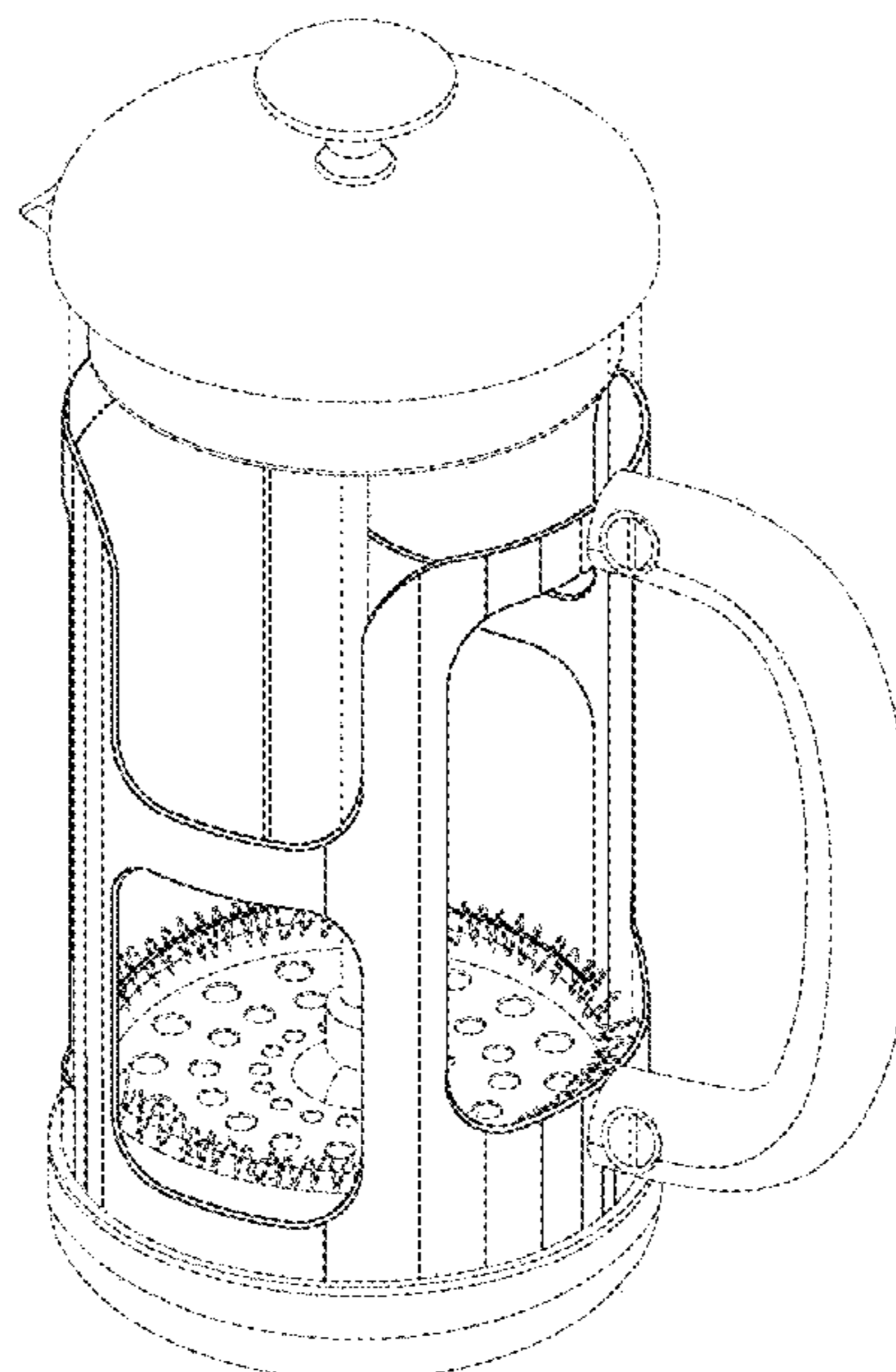
D309,848 S * 8/1990 Sokolski D7/620
6,079,316 A * 6/2000 Barden A47J 31/20
99/287

FIG. 2 is a front view thereof;
FIG. 3 is a rear view thereof;
FIG. 4 is a left side view thereof;
FIG. 5 is a right side view thereof;
FIG. 6 is a top view thereof; and,
FIG. 7 is a bottom view.

D458,074 S 6/2002 Bodum
D612,660 S * 3/2010 Bodum D7/319
8,695,486 B2* 4/2014 Bodum A47J 31/20
99/298

The broken lines shown in the Figures represent portions of the plunger pot that form no part of the claimed design.

1 Claim, 7 Drawing Sheets



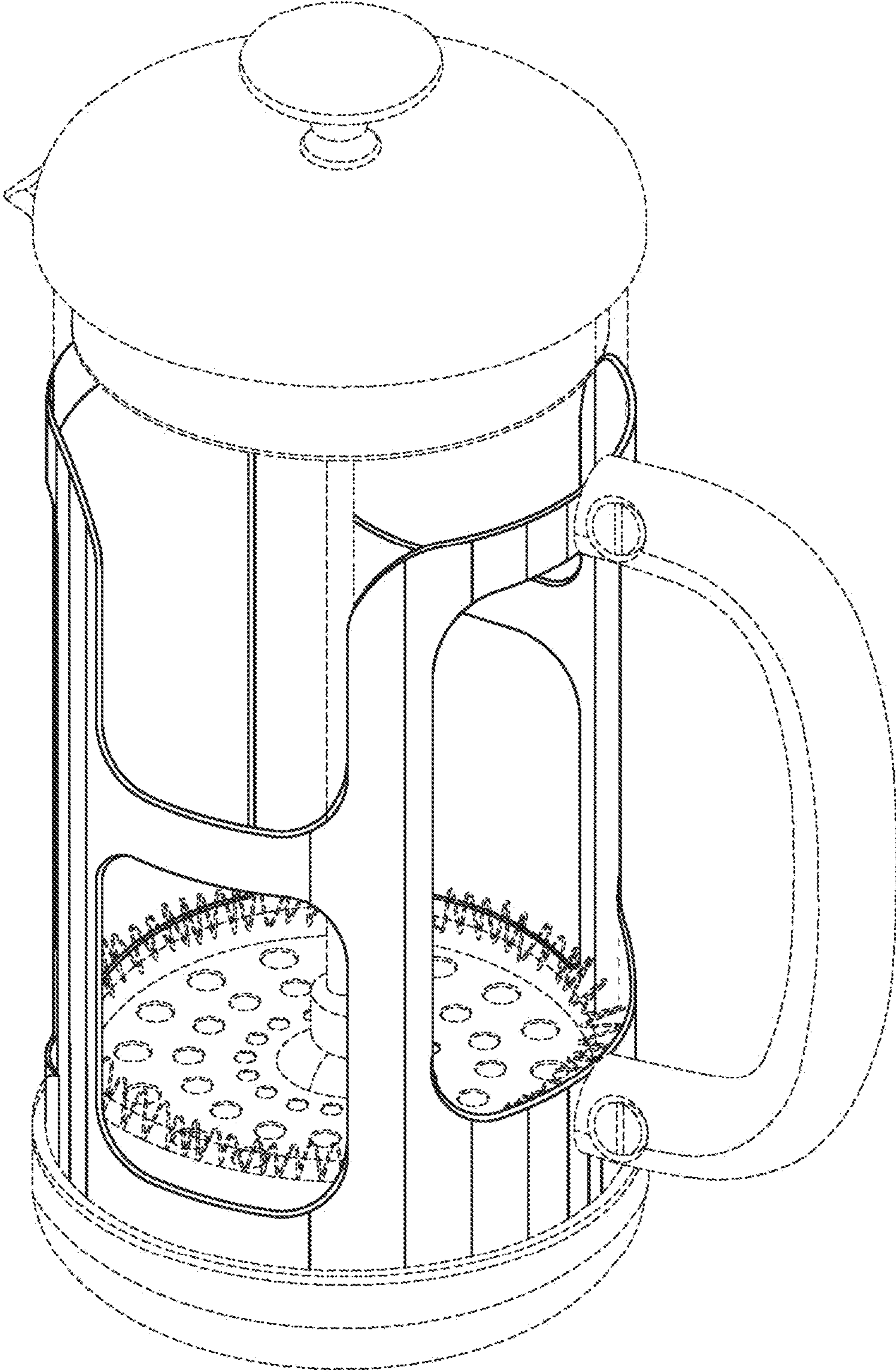


FIG. 1

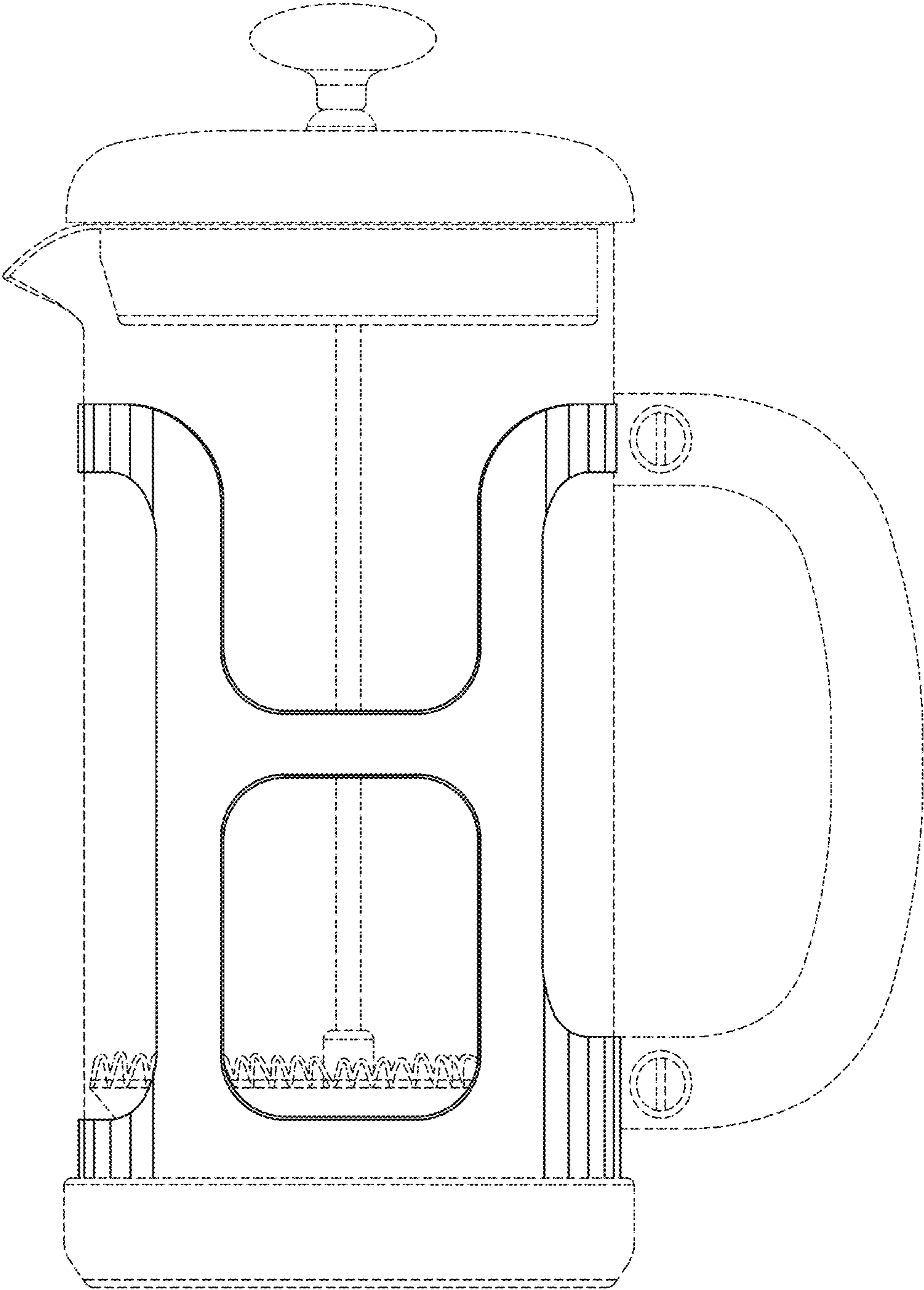


FIG. 2

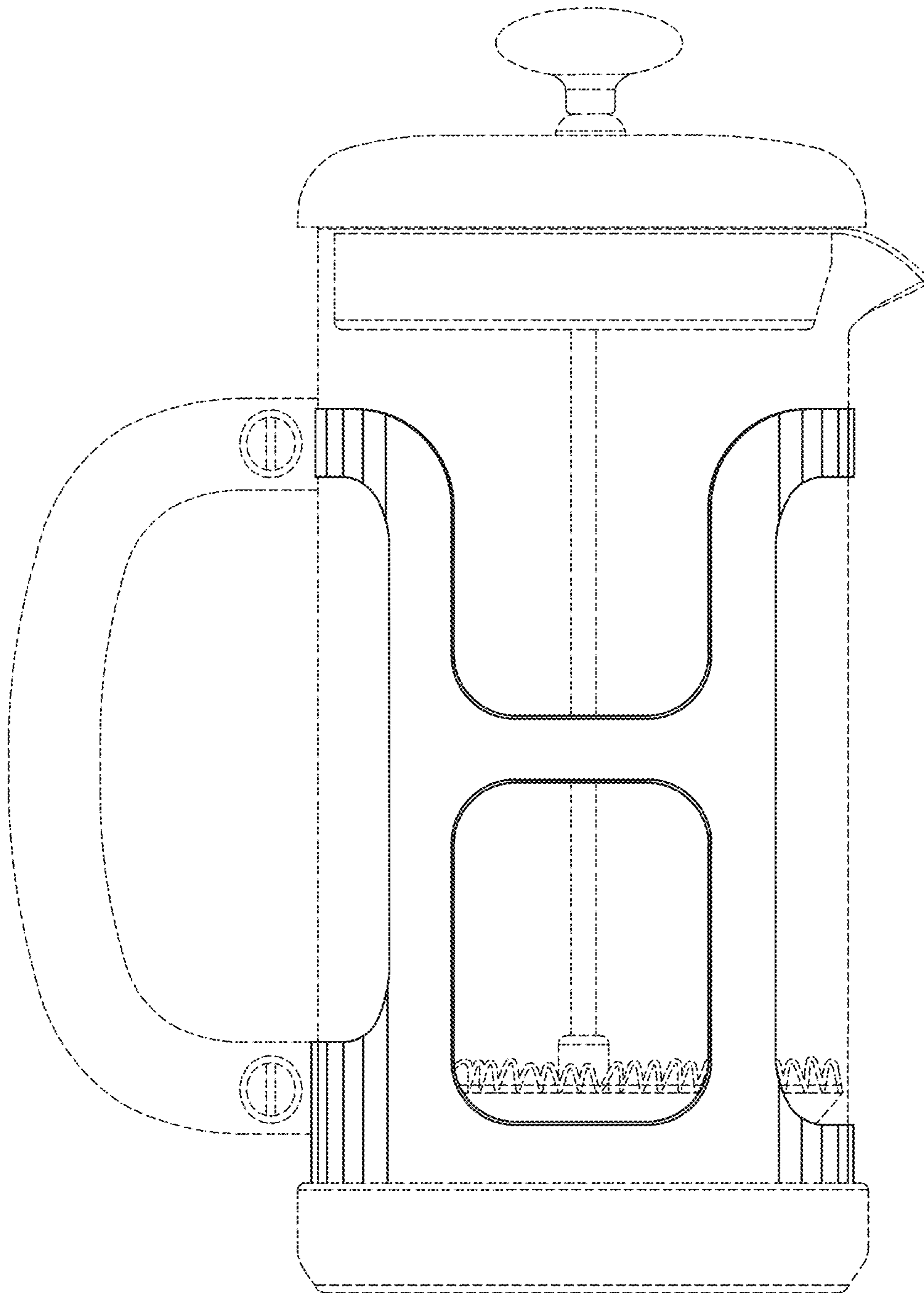


FIG. 3

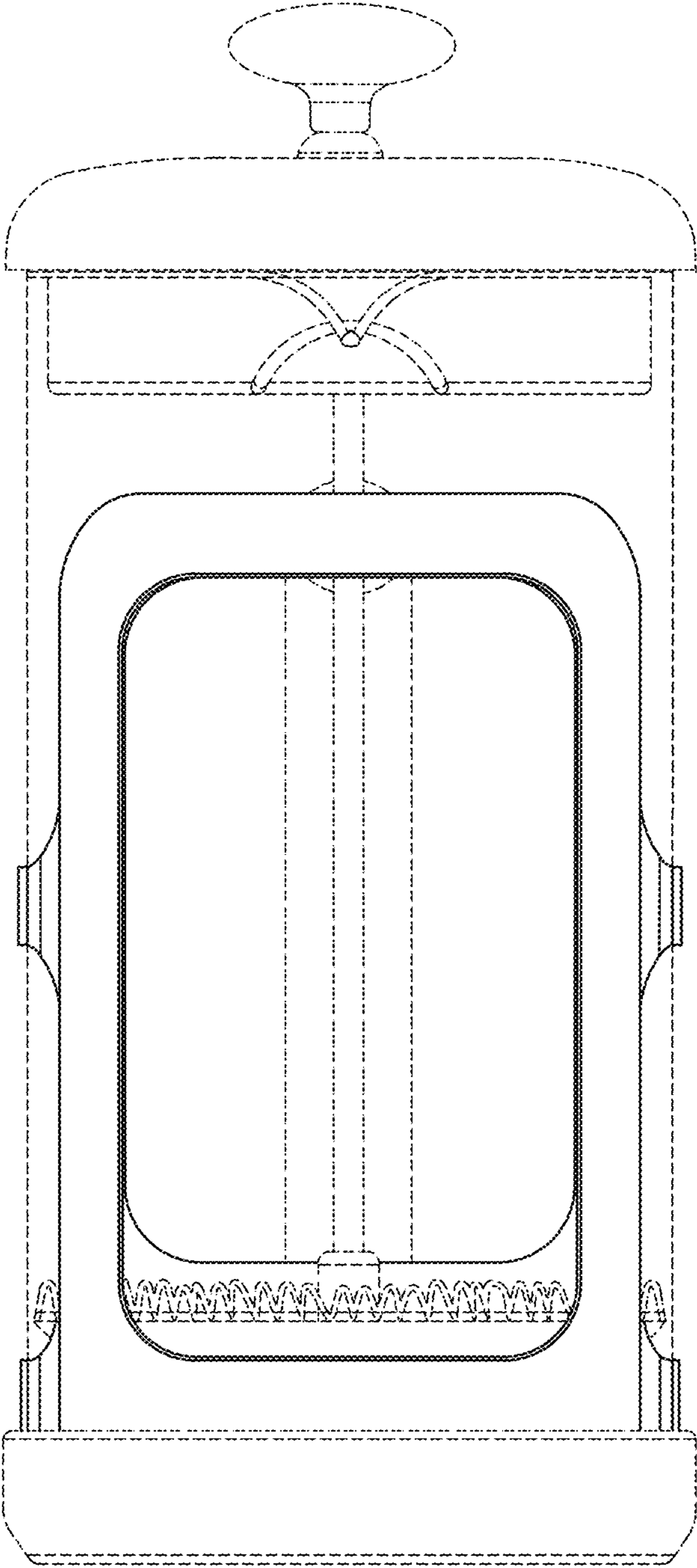


FIG. 4

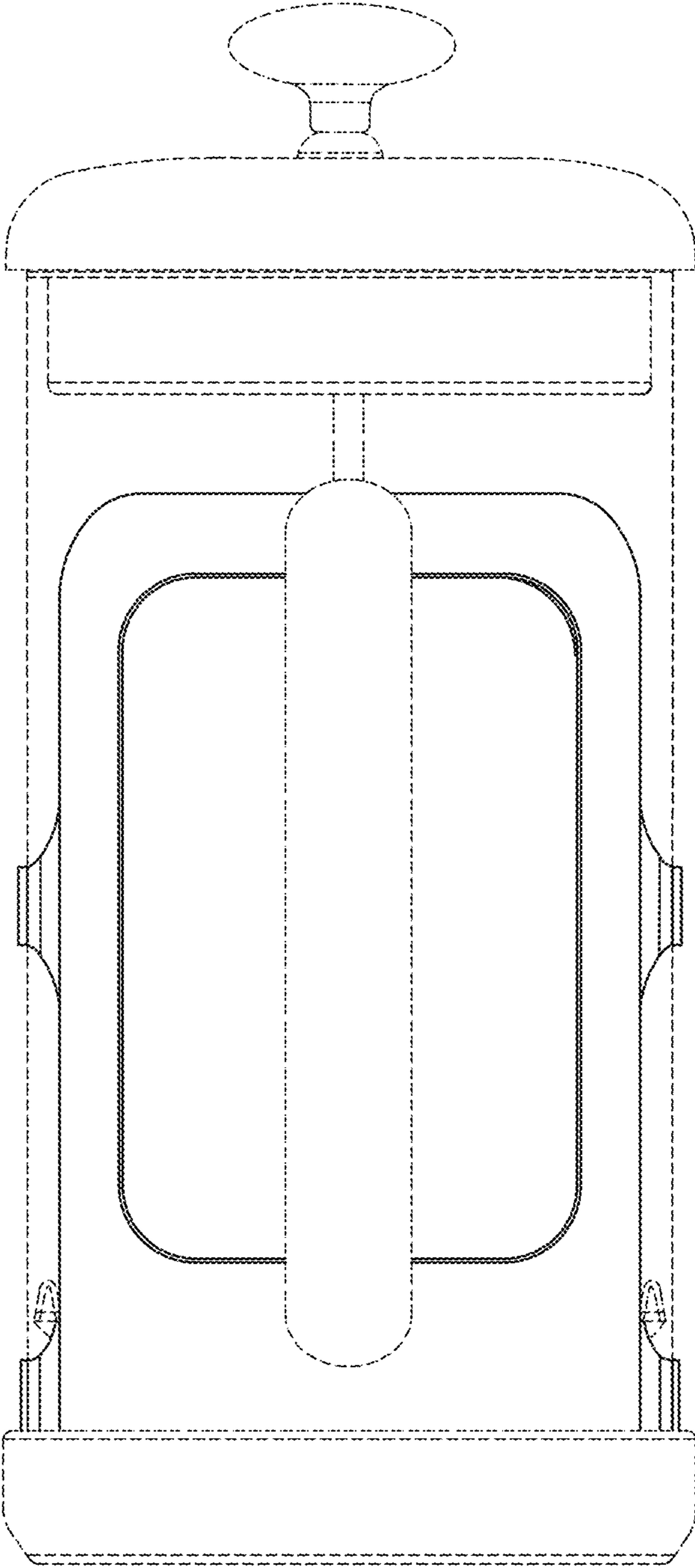


FIG. 5

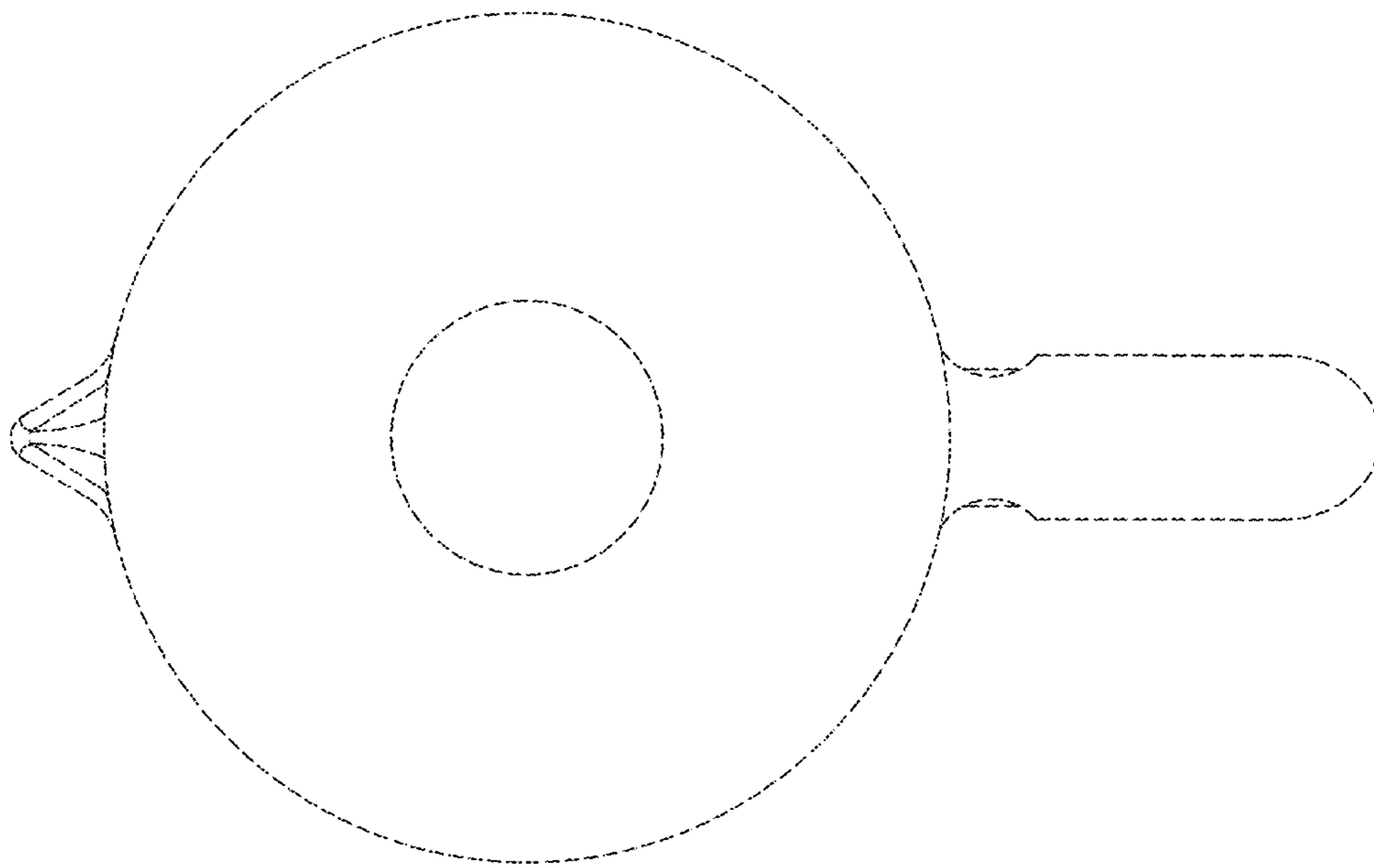


FIG. 6

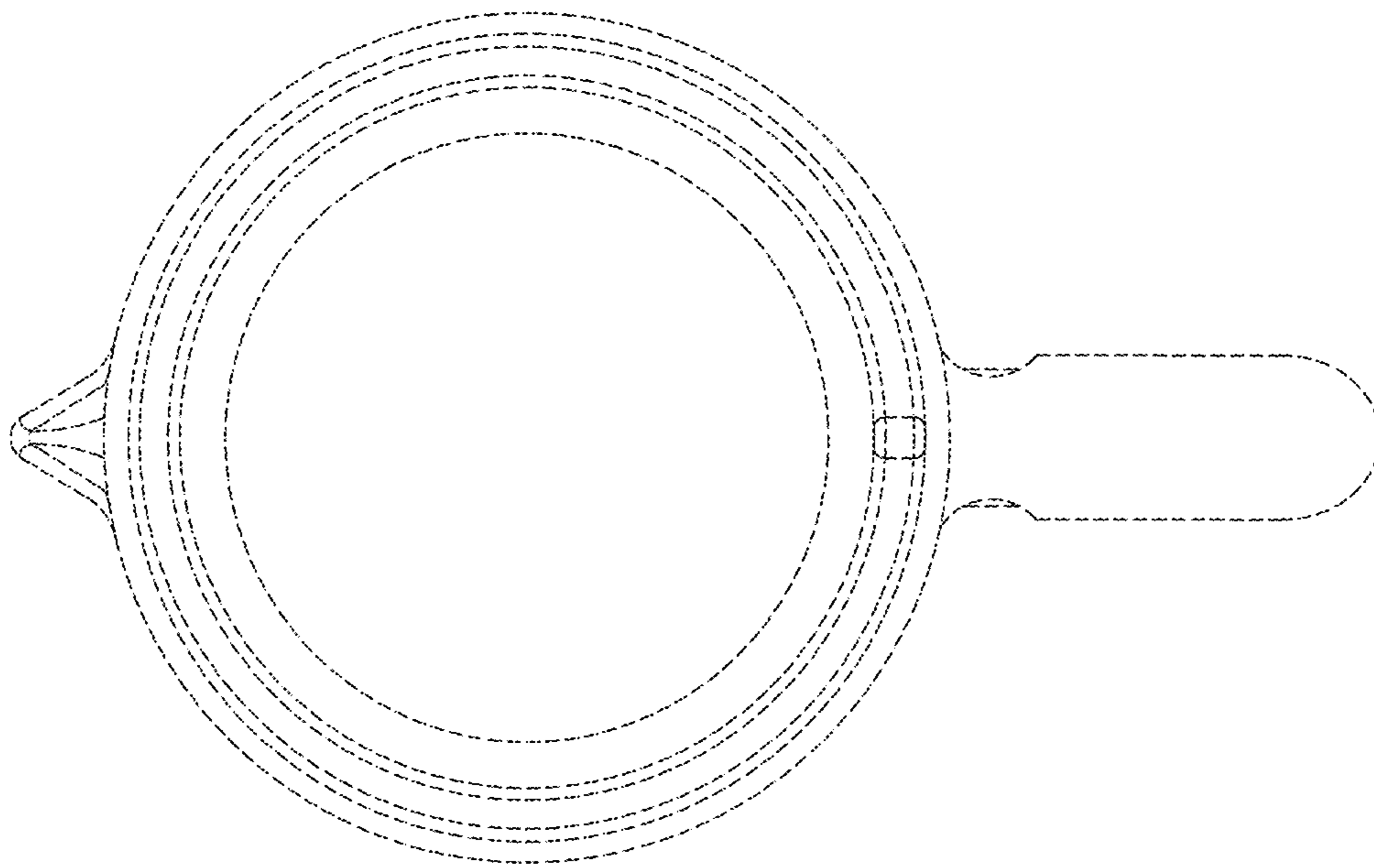


FIG. 7