



US0D1025522S

(12) **United States Design Patent**  
**Robichaux et al.**

(10) **Patent No.: US D1,025,522 S**

(45) **Date of Patent: \*\* Apr. 30, 2024**

(54) **VACUUM**

(71) Applicants: **Jerry Robichaux**, Orlando, FL (US);  
**Nurcan Robichaux**, Orlando, FL (US)

(72) Inventors: **Jerry Robichaux**, Orlando, FL (US);  
**Nurcan Robichaux**, Orlando, FL (US)

(\*\*) Term: **15 Years**

(21) Appl. No.: **29/800,864**

(22) Filed: **Jul. 23, 2021**

(51) **LOC (14) Cl.** ..... **15-05**

(52) **U.S. Cl.**  
USPC ..... **D32/21**

(58) **Field of Classification Search**  
USPC .... D32/15, 17-21, 23, 24, 31-34; D30/161,  
D30/199  
CPC ..... A47L 7/0071; A47L 9/325; A47L 5/24;  
A47L 5/00; A47L 5/02; A47L 5/12; A47L  
5/36; A47L 5/225; A47L 9/009; E01H  
1/006; E01H 1/1206; A01G 20/47  
See application file for complete search history.

(56) **References Cited**

**U.S. PATENT DOCUMENTS**

D315,597 S *	3/1991	Botheras	.....	D23/332
D318,106 S *	7/1991	Arold	.....	D23/314
D369,402 S *	4/1996	Krishart	.....	D23/318
D427,393 S *	6/2000	Bunch	.....	D32/8
6,179,023 B1 *	1/2001	McGee	.....	E01H 1/0809 141/382
D447,149 S *	8/2001	Davis	.....	D15/9
6,681,760 B2 *	1/2004	Topp	.....	F23D 14/00 126/116 A

D529,047 S *	9/2006	Sharp	.....	D15/9
D589,535 S *	3/2009	Leasure	.....	D15/9
8,631,540 B2	1/2014	Robichaux		
D762,834 S *	8/2016	Kaufmann	.....	D23/365
D984,483 S *	4/2023	Vintzel	.....	D15/9
2022/0235527 A1 *	7/2022	Robichaux	.....	A47L 5/28

**OTHER PUBLICATIONS**

PooVak 2023 Pooper Scooper Vacuum (online), no definitive month/day in 2023 available. Retrieved from Internet Sep. 6, 2023, URL: <https://www.youtube.com/watch?v=ZfvgiNtlwyo> (1 page).  
Beetl, <https://oddiy.com/beetl-autonomous-dog-poop-robot>.

\* cited by examiner

*Primary Examiner* — Kimberly Barnes

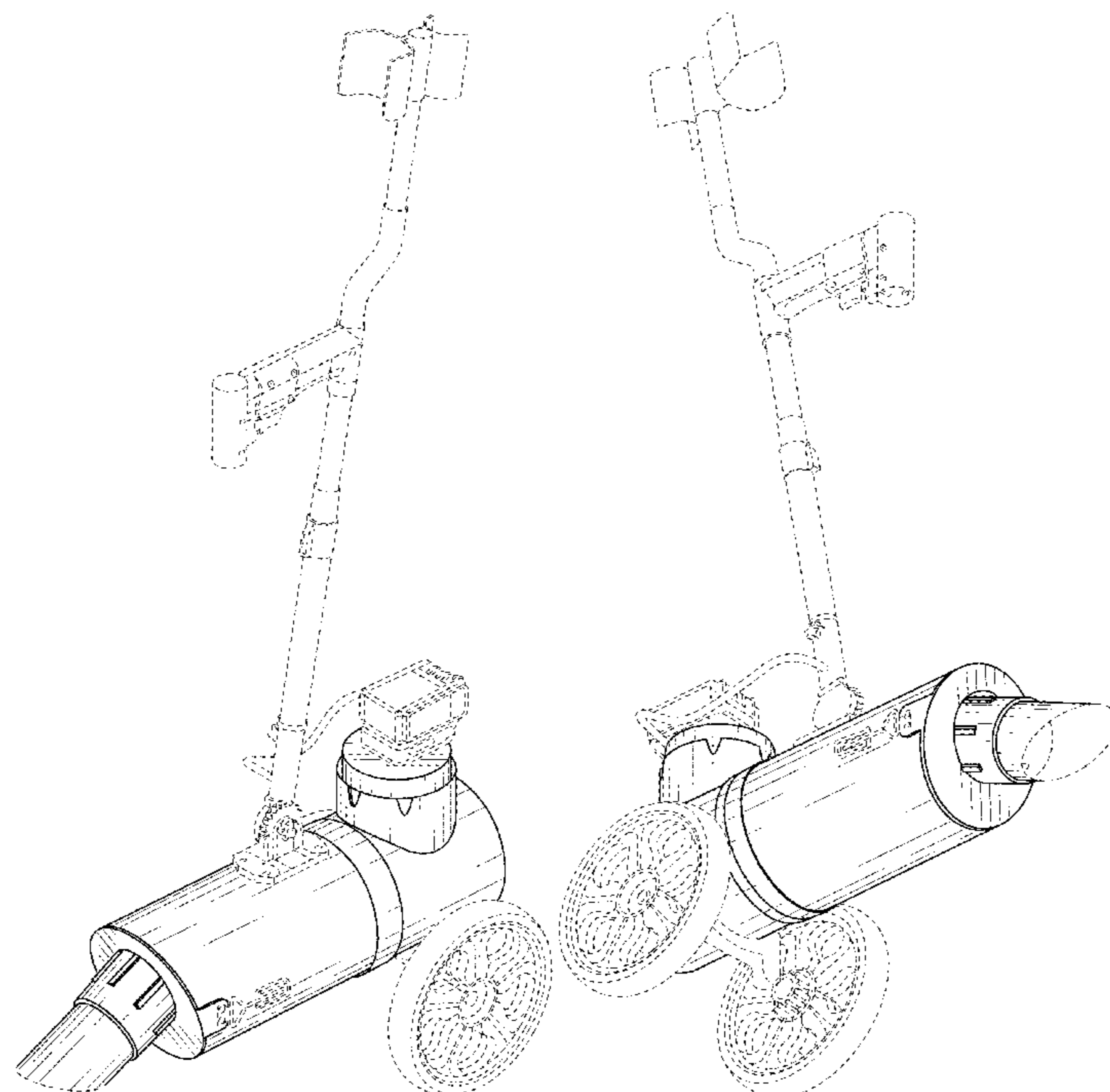
(57) **CLAIM**

The ornamental design for a vacuum, as shown and described.

**DESCRIPTION**

FIG. 1 is a front-top-right perspective view of a vacuum showing our new design;  
FIG. 2 is a rear-bottom-right perspective view thereof;  
FIG. 3 is a rear-top-left perspective view thereof;  
FIG. 4 is a front-bottom-left perspective view thereof;  
FIG. 5 is a front elevational view thereof;  
FIG. 6 is a rear elevational view thereof;  
FIG. 7 is a left elevational view thereof;  
FIG. 8 is a right elevational view thereof;  
FIG. 9 is a top plan view thereof; and,  
FIG. 10 is a bottom plan view thereof.  
The broken lines shown depict portions of the vacuum that form no part of the claimed design.

**1 Claim, 10 Drawing Sheets**



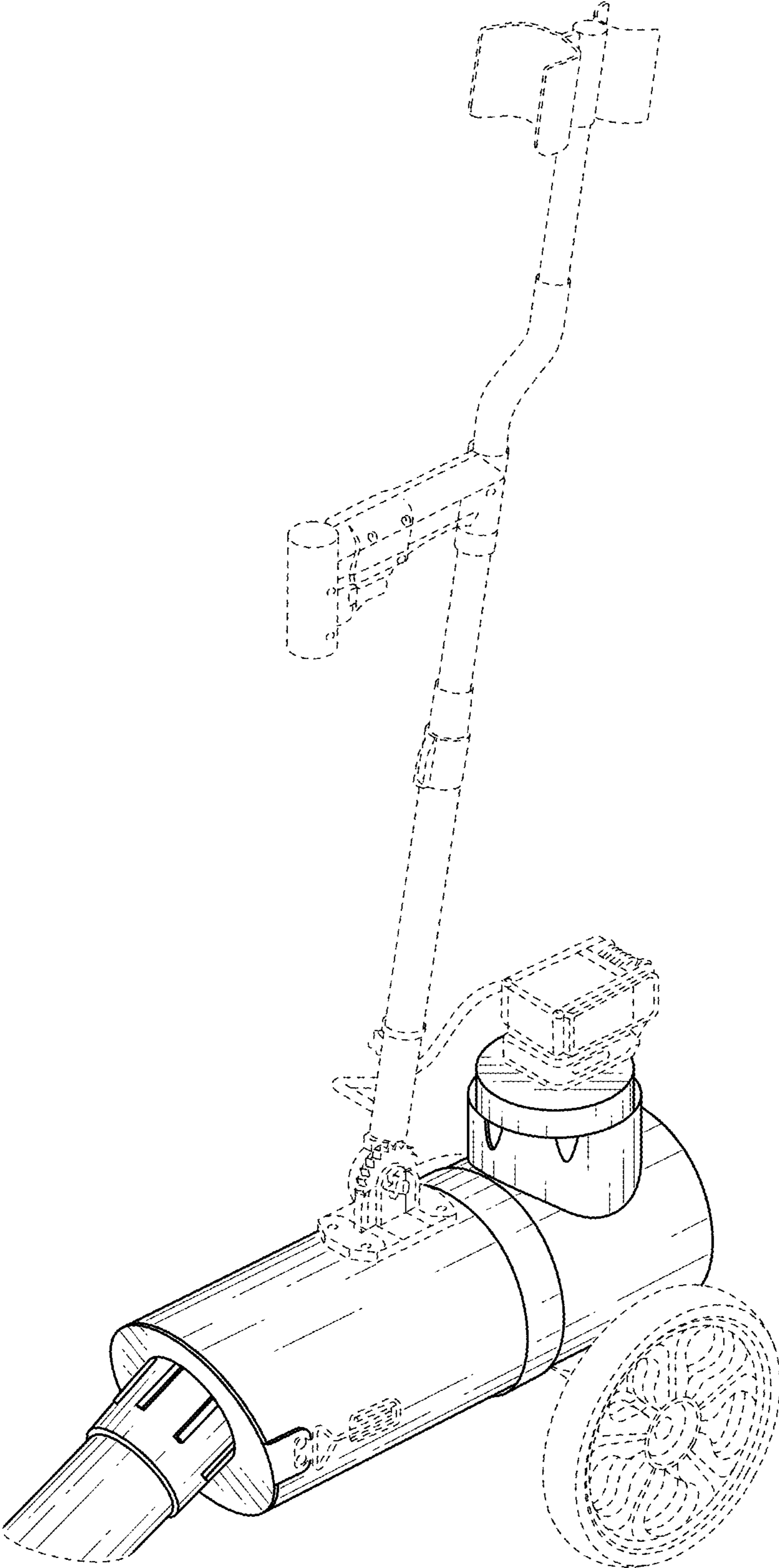


FIG. 1

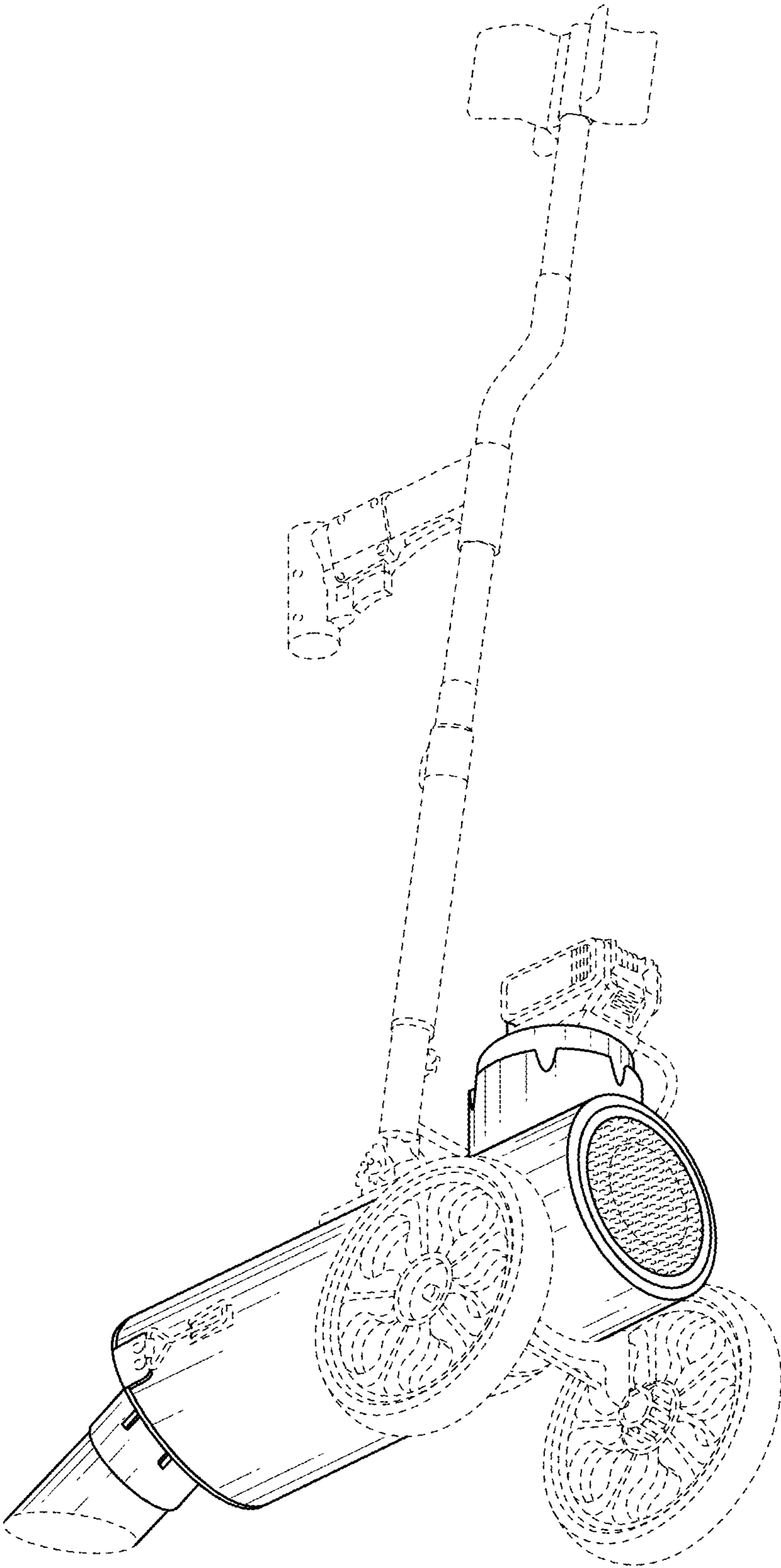


FIG. 2

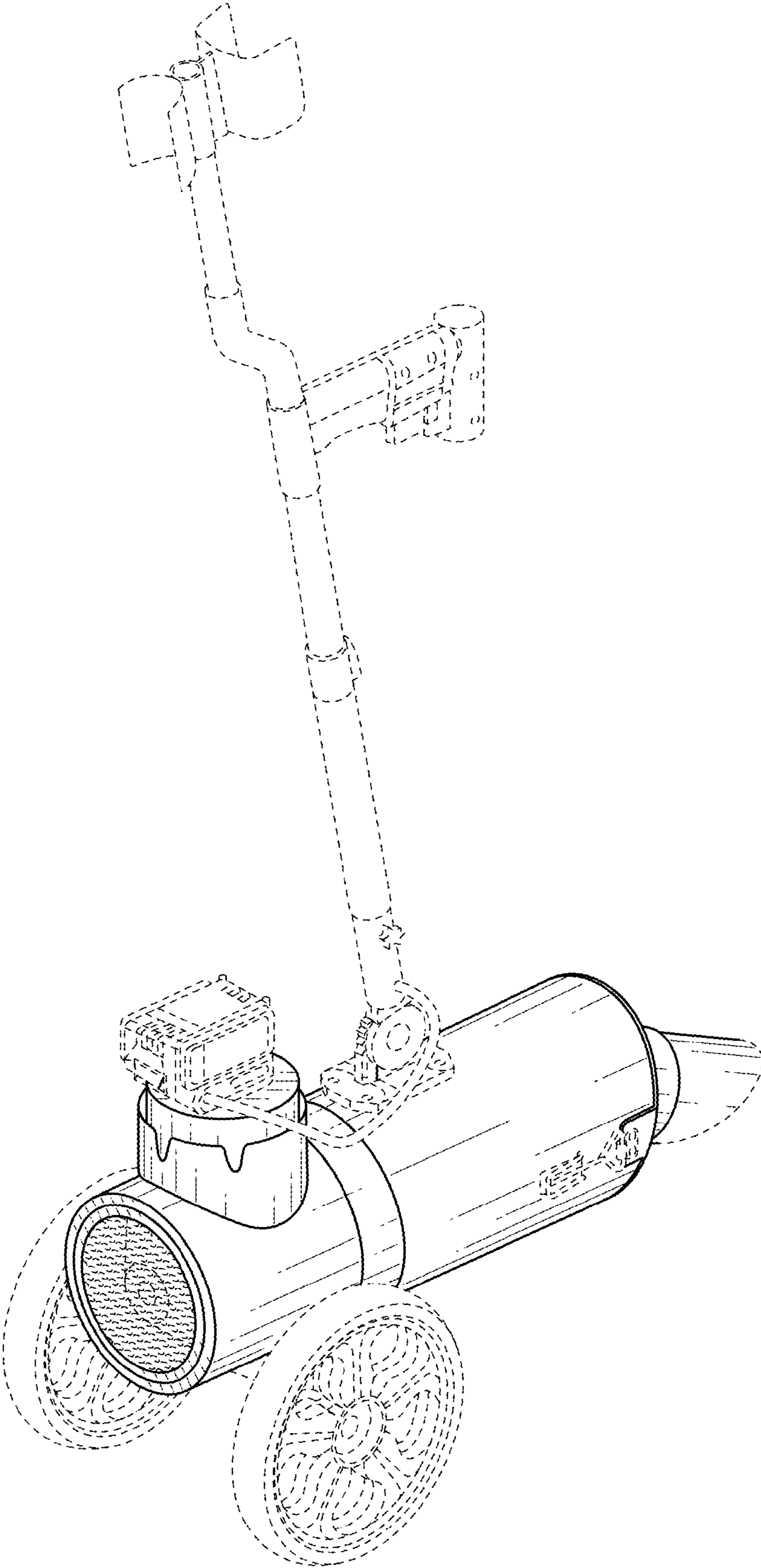


FIG. 3



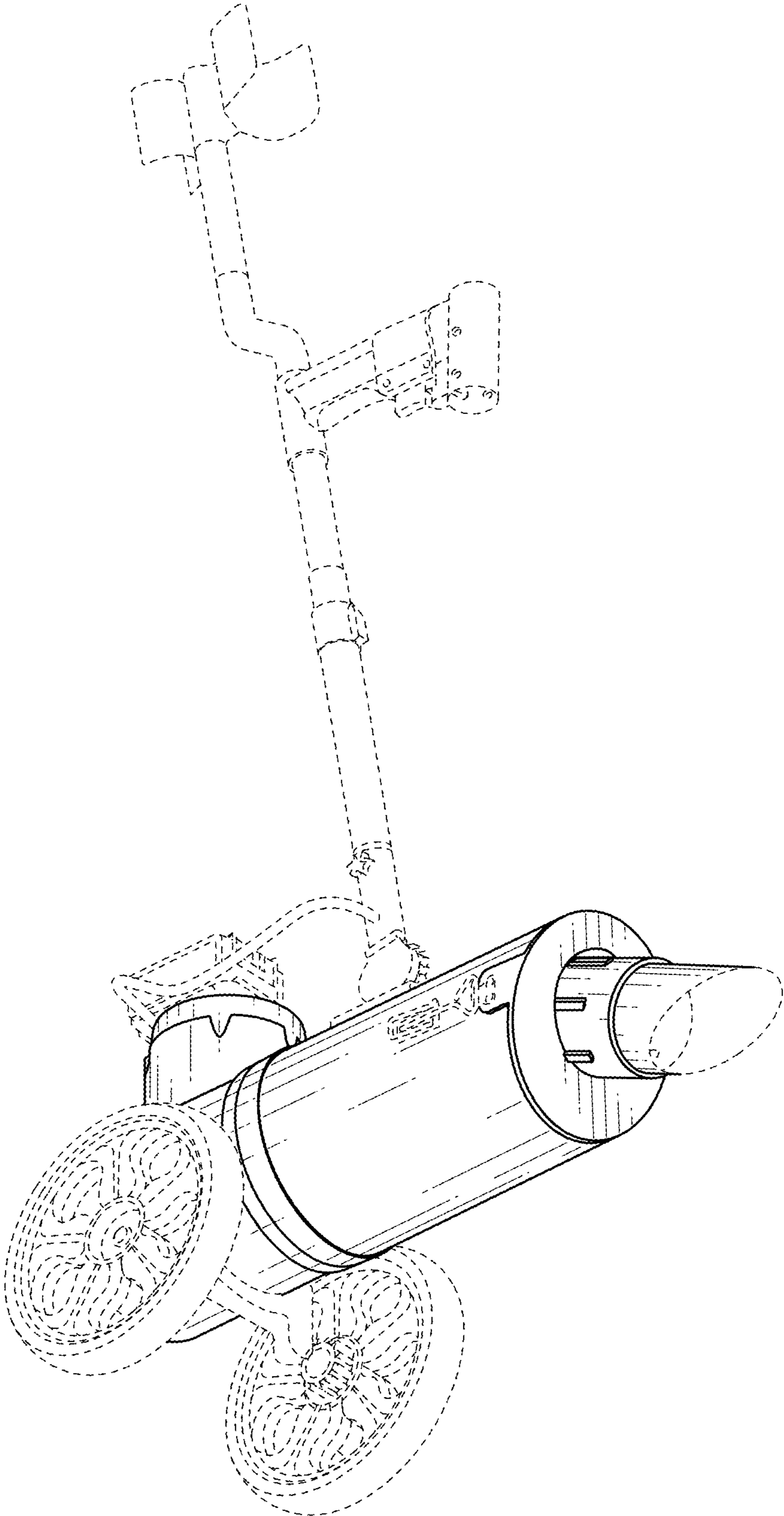


FIG. 4

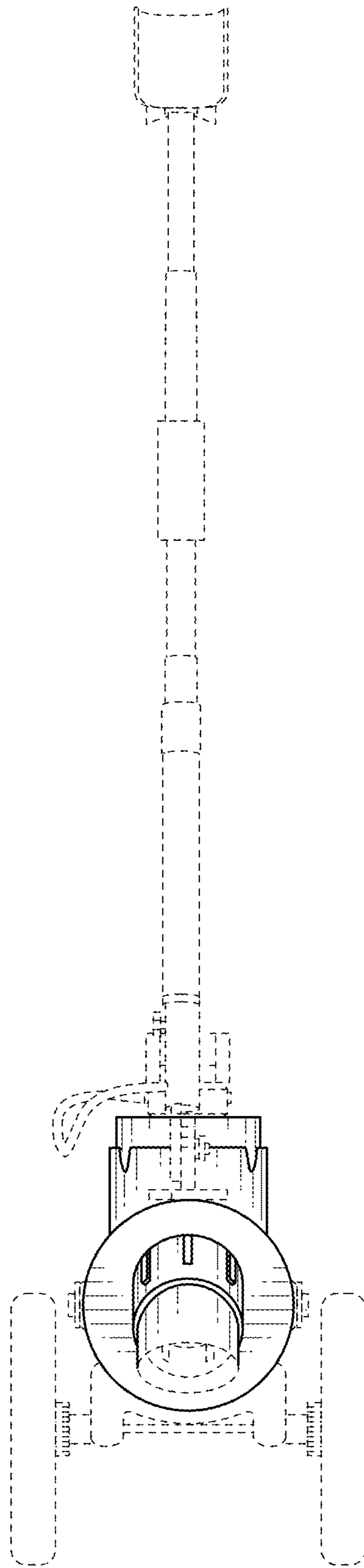


FIG. 5

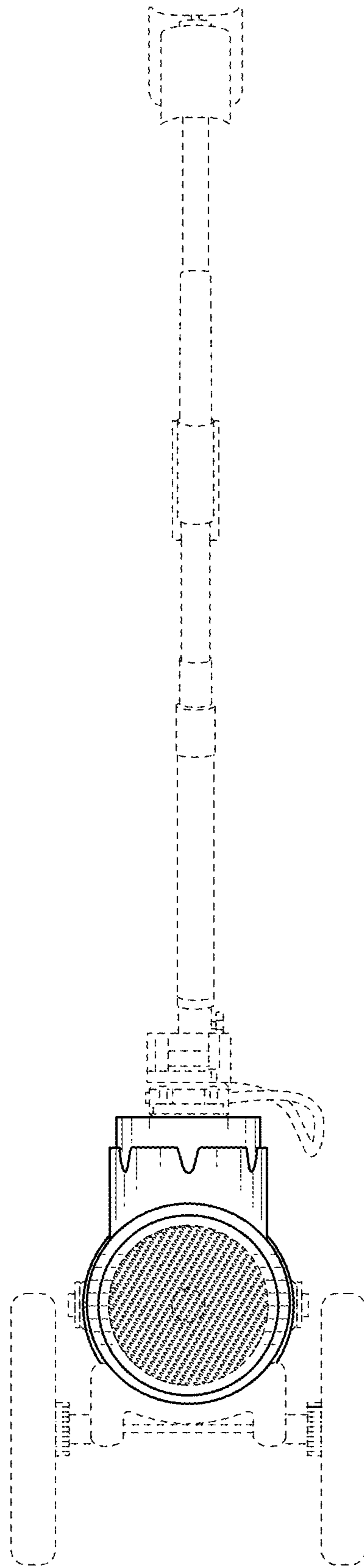


FIG. 6

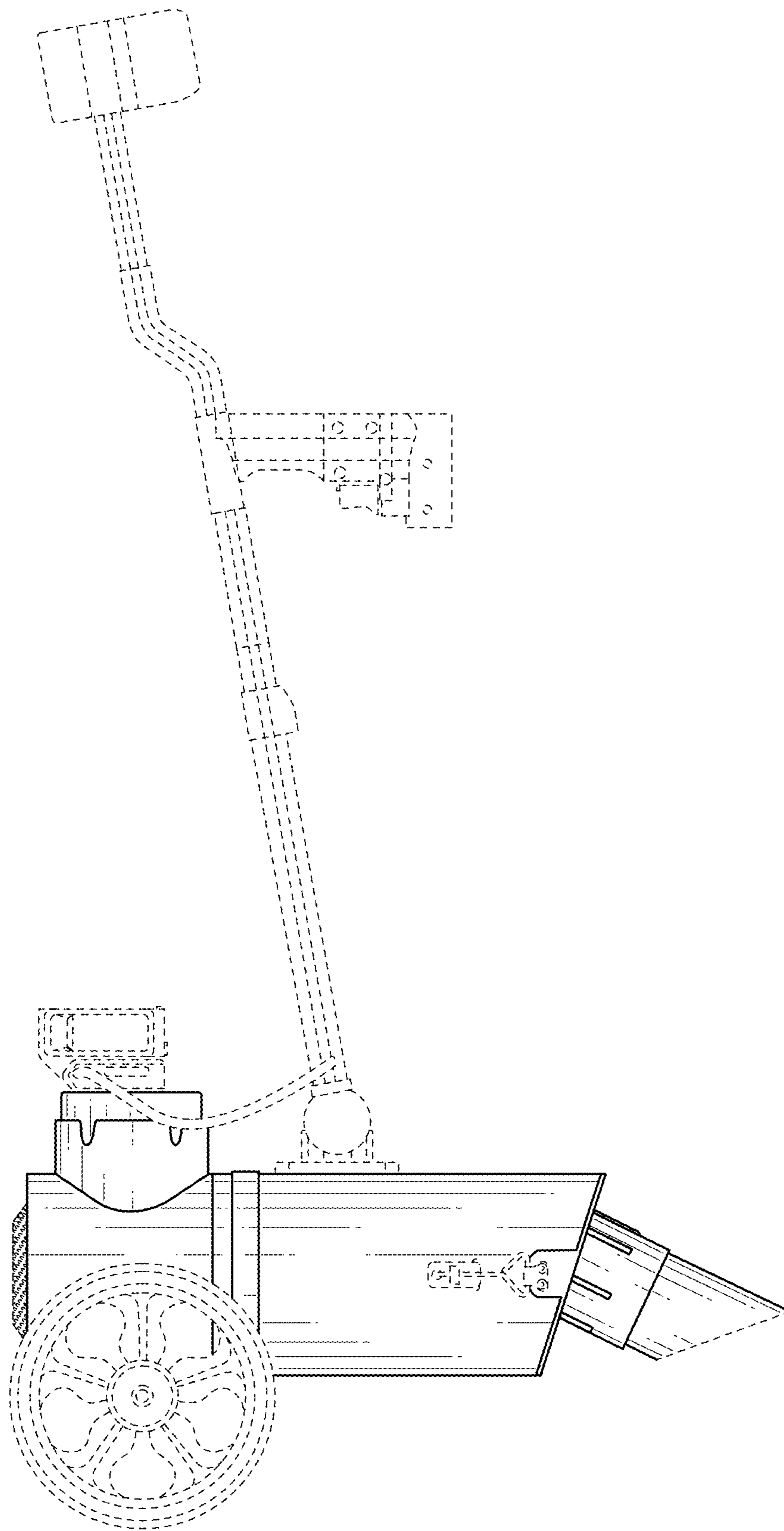


FIG. 7



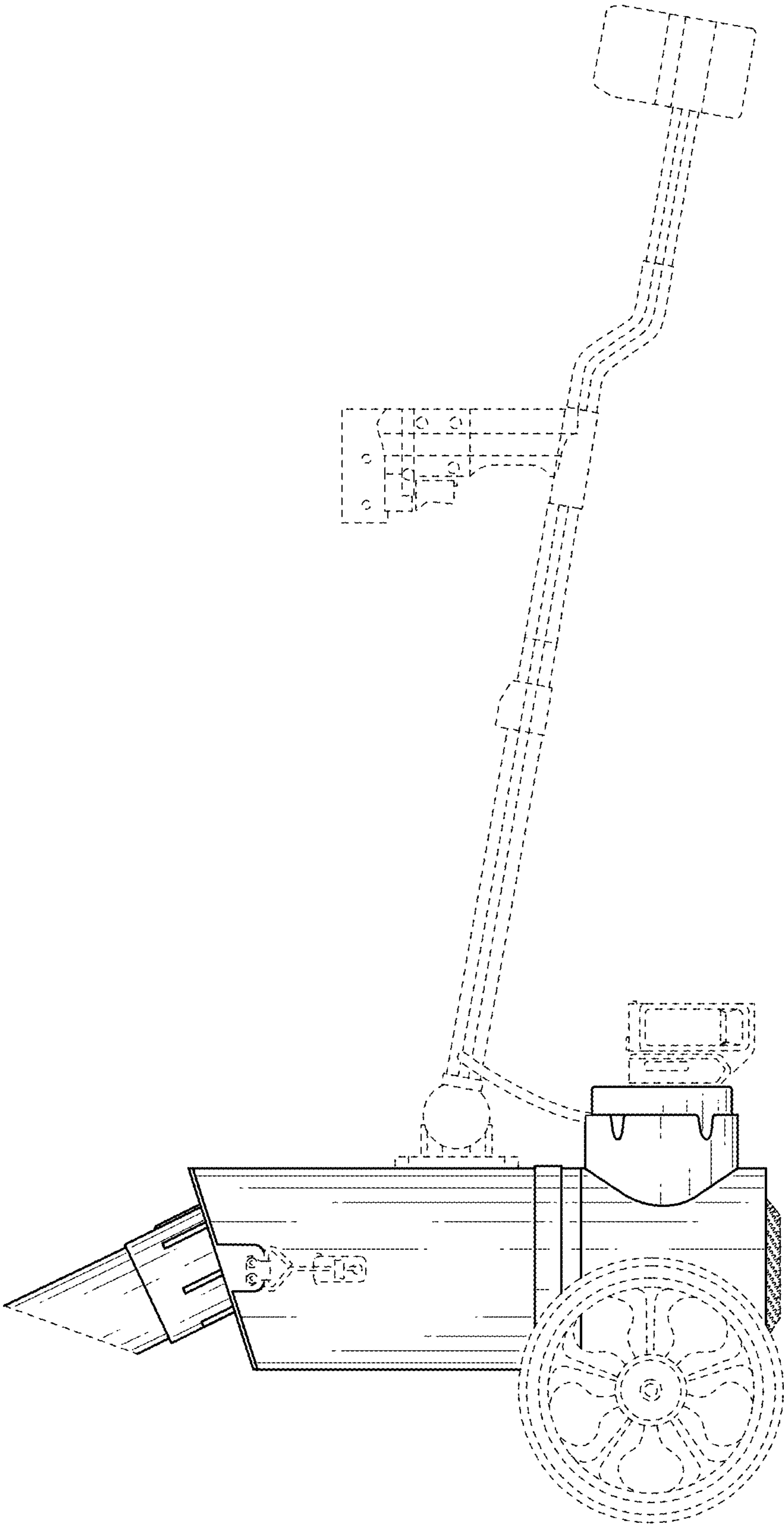


FIG. 8

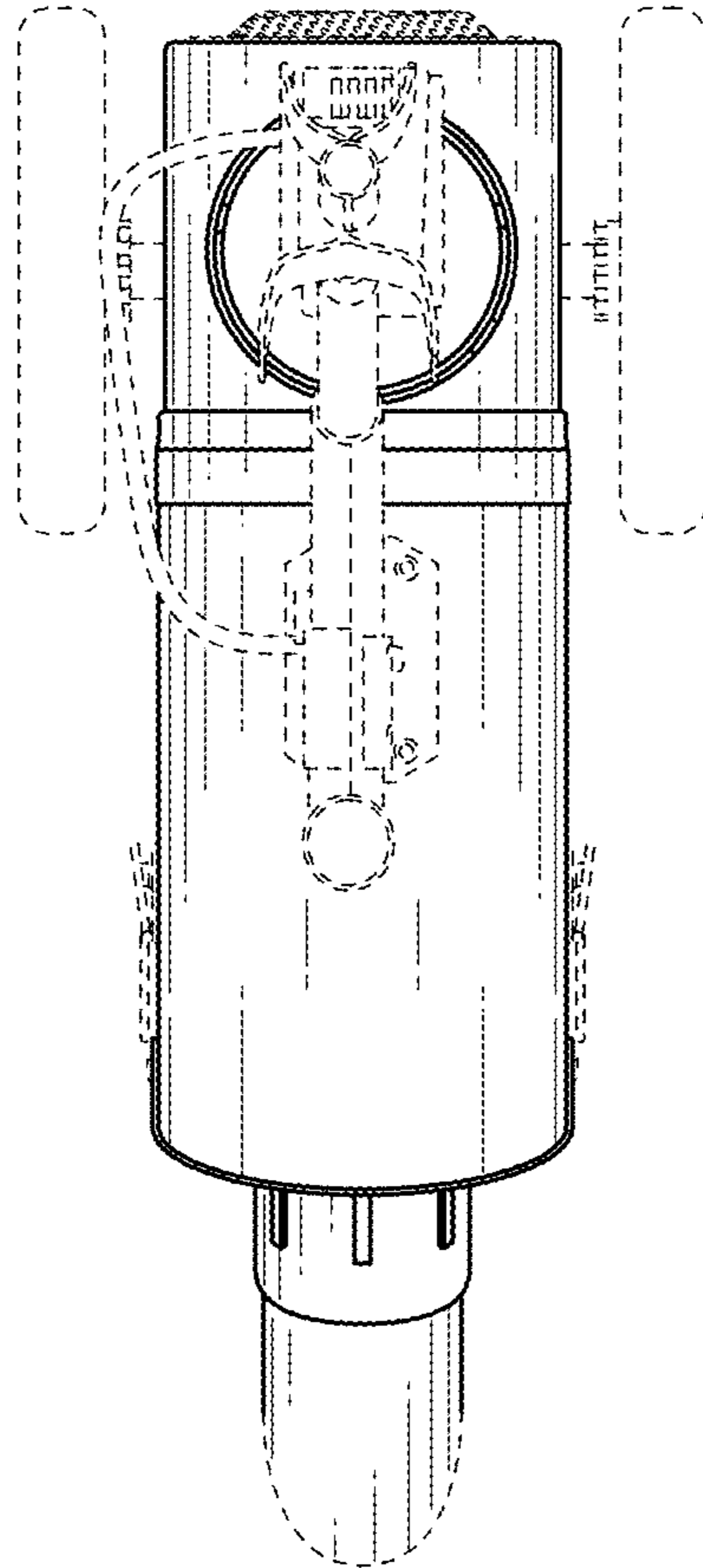


FIG. 9

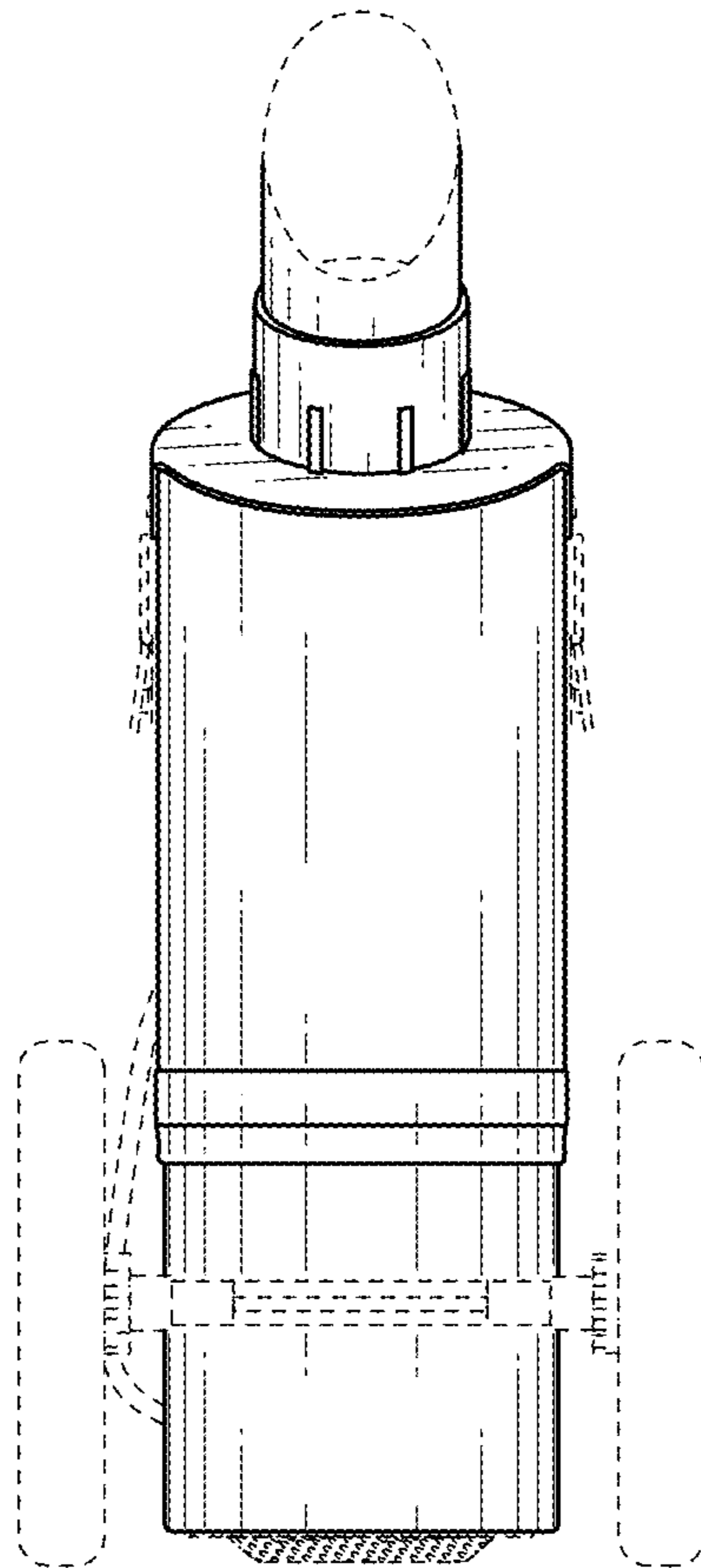


FIG. 10