



US0D1025491S

(12) **United States Design Patent**
Sha et al.

(10) **Patent No.:** **US D1,025,491 S**
(45) **Date of Patent:** **** Apr. 30, 2024**

- (54) **COSMETIC PRODUCT BOTTLE**
- (71) Applicant: **Aramara Beauty LLC**, New York, NY (US)
- (72) Inventors: **Sarah Sha**, New York, NY (US); **Mee Chang**, New York, NY (US)
- (73) Assignee: **Aramara Beauty LLC**, New York, NY (US)
- (**) Term: **15 Years**
- (21) Appl. No.: **29/759,244**
- (22) Filed: **Nov. 20, 2020**
- (51) **LOC (14) Cl.** **28-03**
- (52) **U.S. Cl.**
USPC **D28/76**
- (58) **Field of Classification Search**
USPC D28/76, 77, 78, 79; D9/503, 504
CPC A45D 33/00; A45D 34/00; B65D 85/00;
B65D 23/00
See application file for complete search history.

KR 301098568.0000 * 3/2021
 KR 301123119.0000 * 8/2021
 KR 301123121.0000 * 8/2021

OTHER PUBLICATIONS

Wayback Machine Plum [online], [publication date is Sep. 26, 2020]. [Retrieved from the internet on Sep. 11, 2023]. URL: <<https://www.glowrecipe.com/collections/all/products/plum-plump-hyaluronic-serum>>. (Year: 2020).*

1 Piece Large Capacity [online], [publication date is Apr. 25, 2022]. [Retrieved from the internet on Sep. 11, 2023]. URL: <<https://www.amazon.com/Capacity-Bottles-Spherical-Refillable-Containers/dp/B09YRPBG6G/ref>>. (Year: 2022).*

* cited by examiner

Primary Examiner — Karen E Eldridge Powers
Assistant Examiner — Margaret Leah Bryan
 (74) *Attorney, Agent, or Firm* — Lowenstein Sandler LLP

(56) **References Cited**

U.S. PATENT DOCUMENTS

D367,009 S *	2/1996	Dinand	D9/504
6,059,473 A *	5/2000	Gueret	A46B 11/0006
				401/129
D459,551 S *	6/2002	Hahn	D28/77
D477,535 S *	7/2003	Thorpe	D9/504
7,377,296 B2 *	5/2008	Gueret	A45D 34/042
				401/125
D677,583 S *	3/2013	In	D9/503
D805,904 S *	12/2017	Kim	D9/503
D966,898 S *	10/2022	Sha	D9/554
D980,076 S *	3/2023	Sha	D9/549
D996,218 S *	8/2023	Sha	D9/549

FOREIGN PATENT DOCUMENTS

EM	008373591-0002	*	1/2021
EM	008484489-0001	*	4/2021

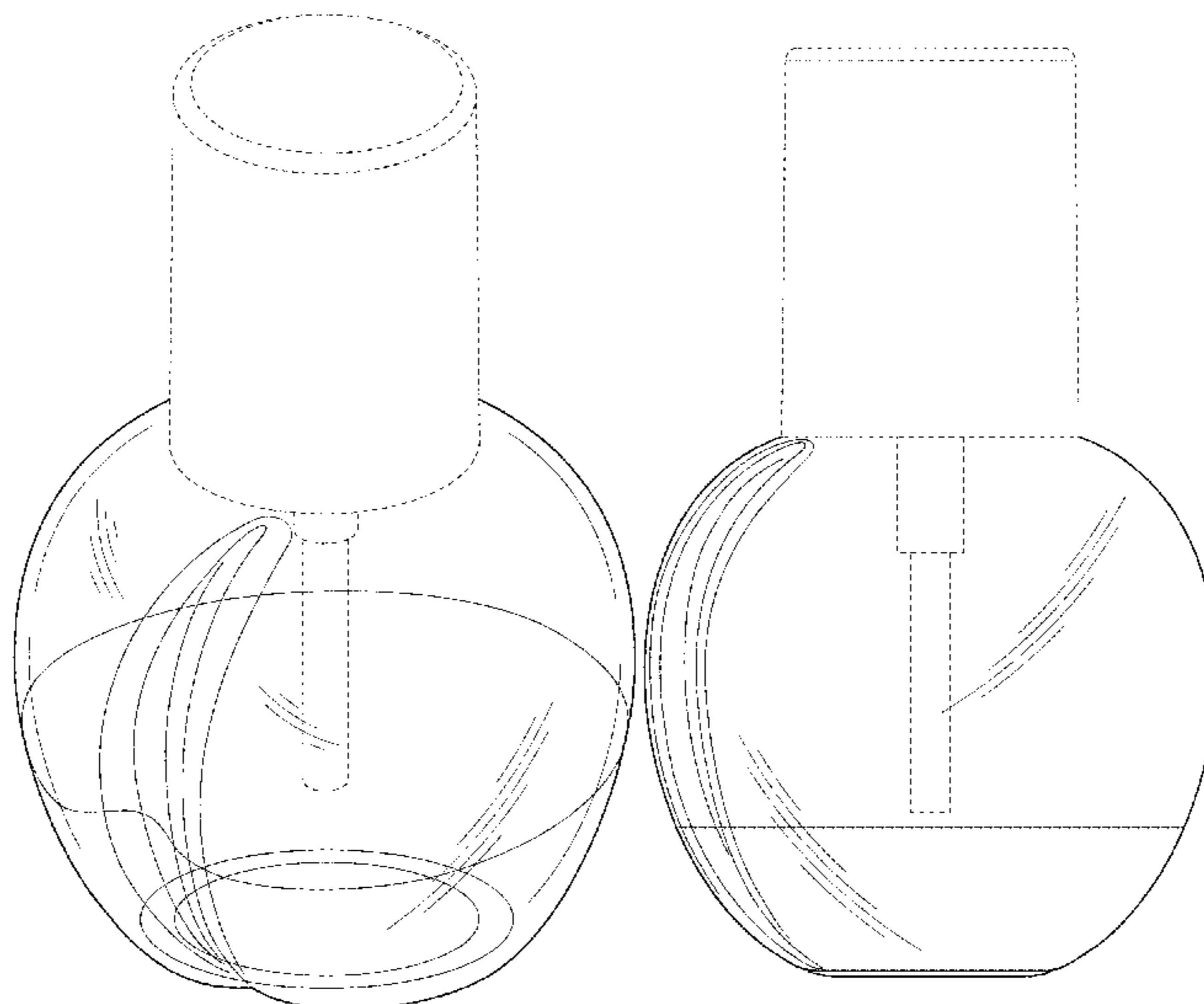
(57) **CLAIM**

The ornamental design for a cosmetic product bottle, as shown and described.

DESCRIPTION

FIG. 1 is a front perspective view of a cosmetic product bottle embodying the present design;
 FIG. 2 is a front view thereof;
 FIG. 3 is a back view thereof;
 FIG. 4 is a left side view thereof;
 FIG. 5 is a right side view thereof;
 FIG. 6 is a top view thereof; and,
 FIG. 7 is a bottom view thereof.
 The broken lines are provided for the purposes of illustrating an environment related to the cosmetic product bottle that form no part of the claimed design.

1 Claim, 6 Drawing Sheets



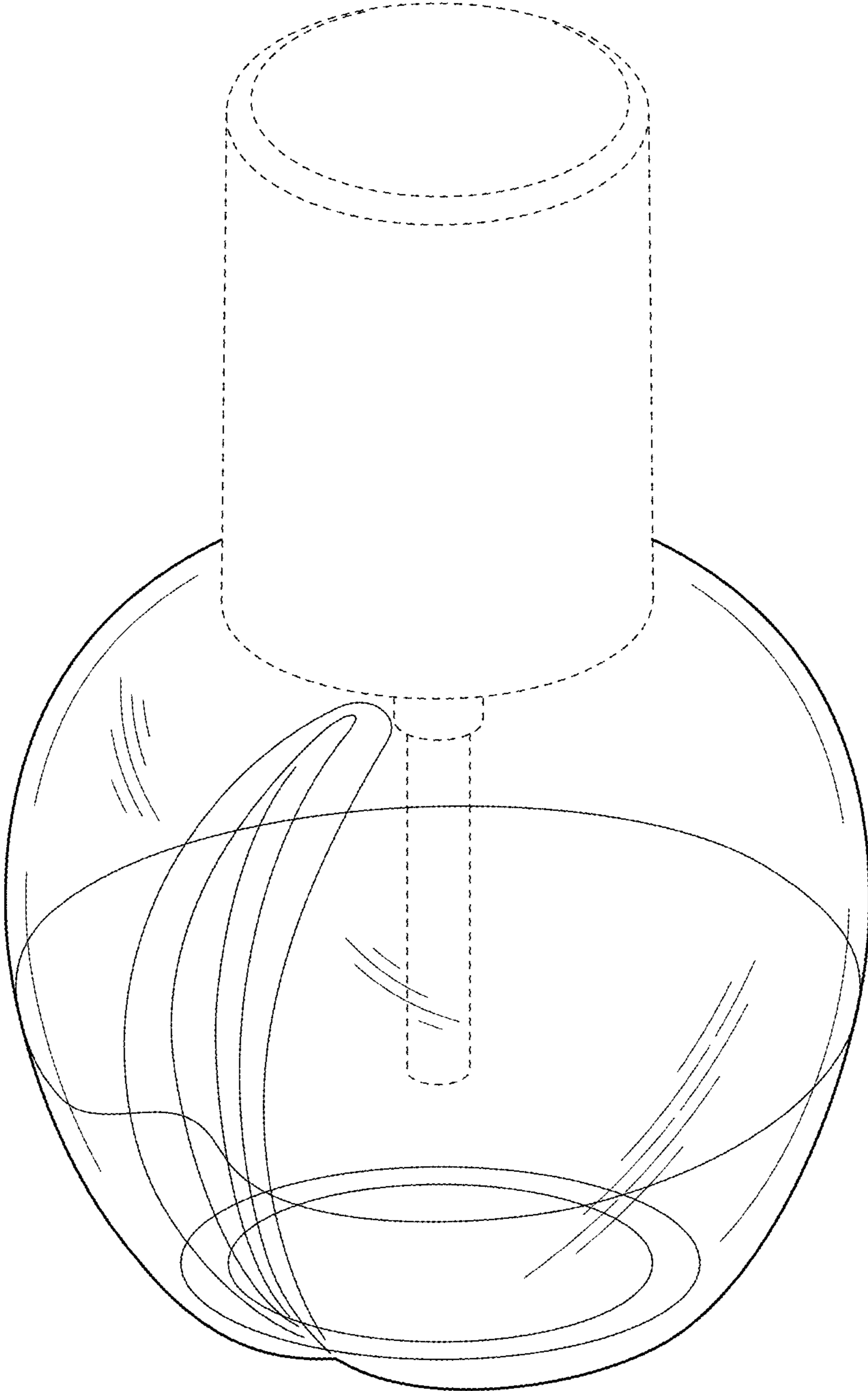


FIG. 1

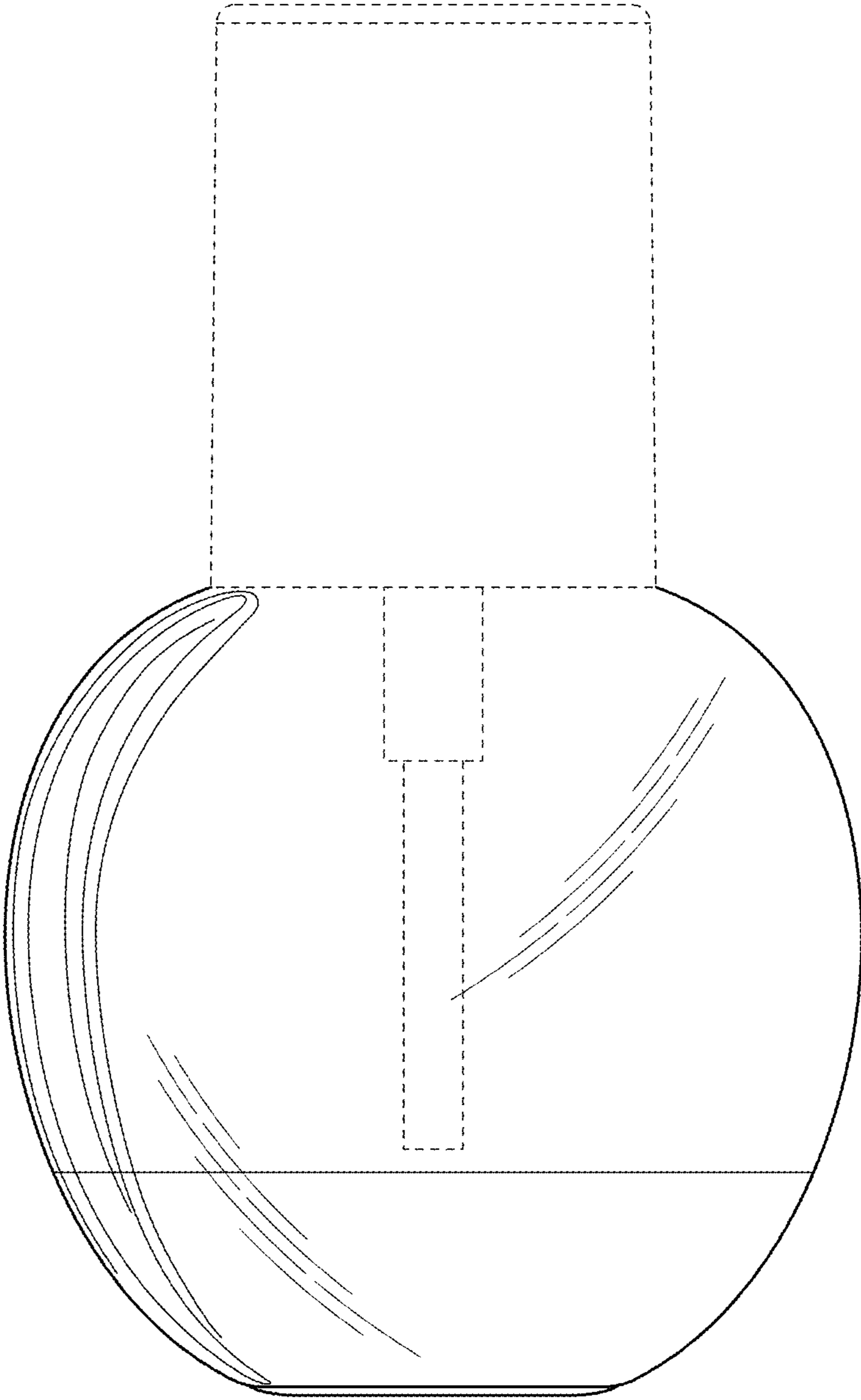


FIG. 2

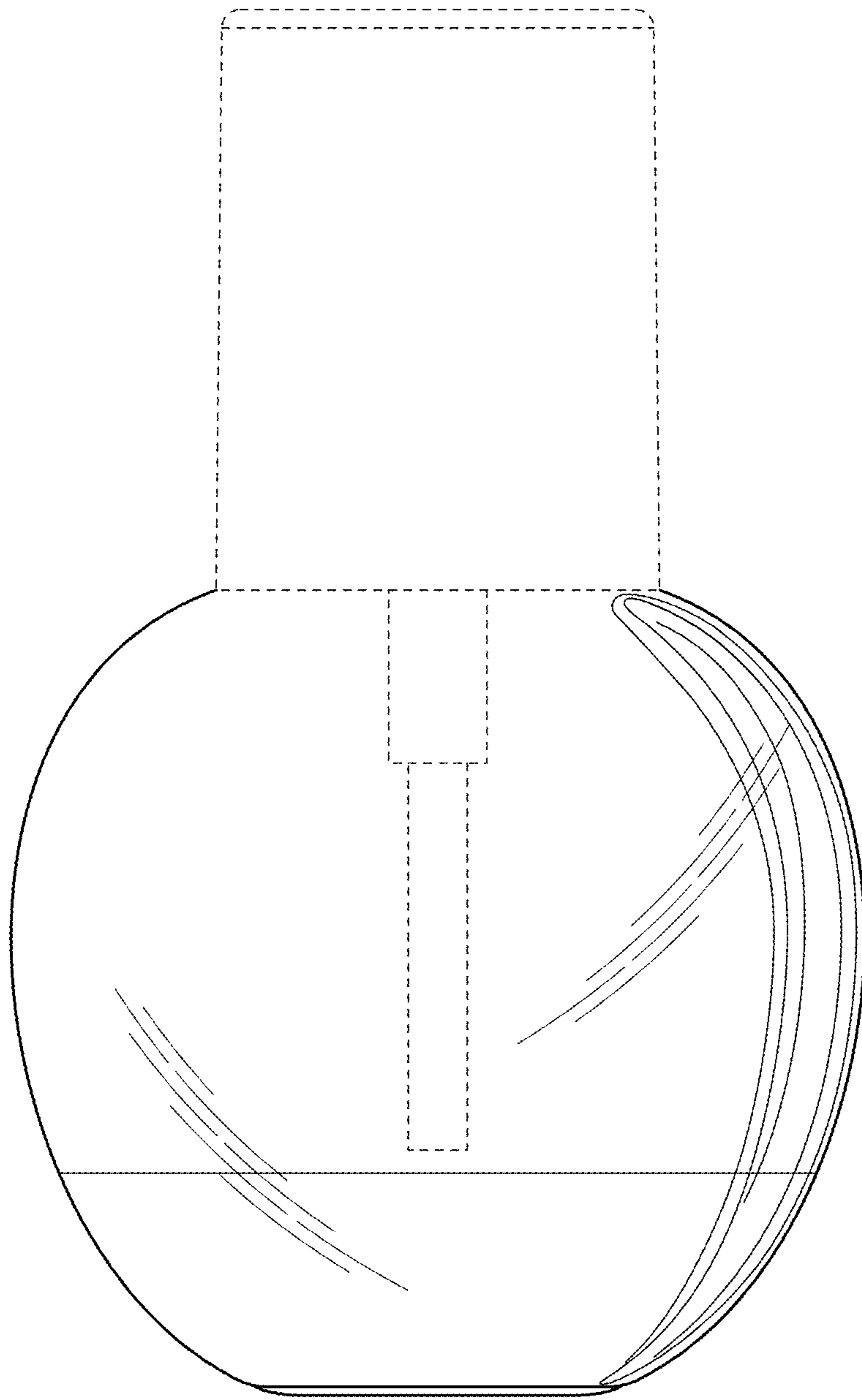


FIG. 3

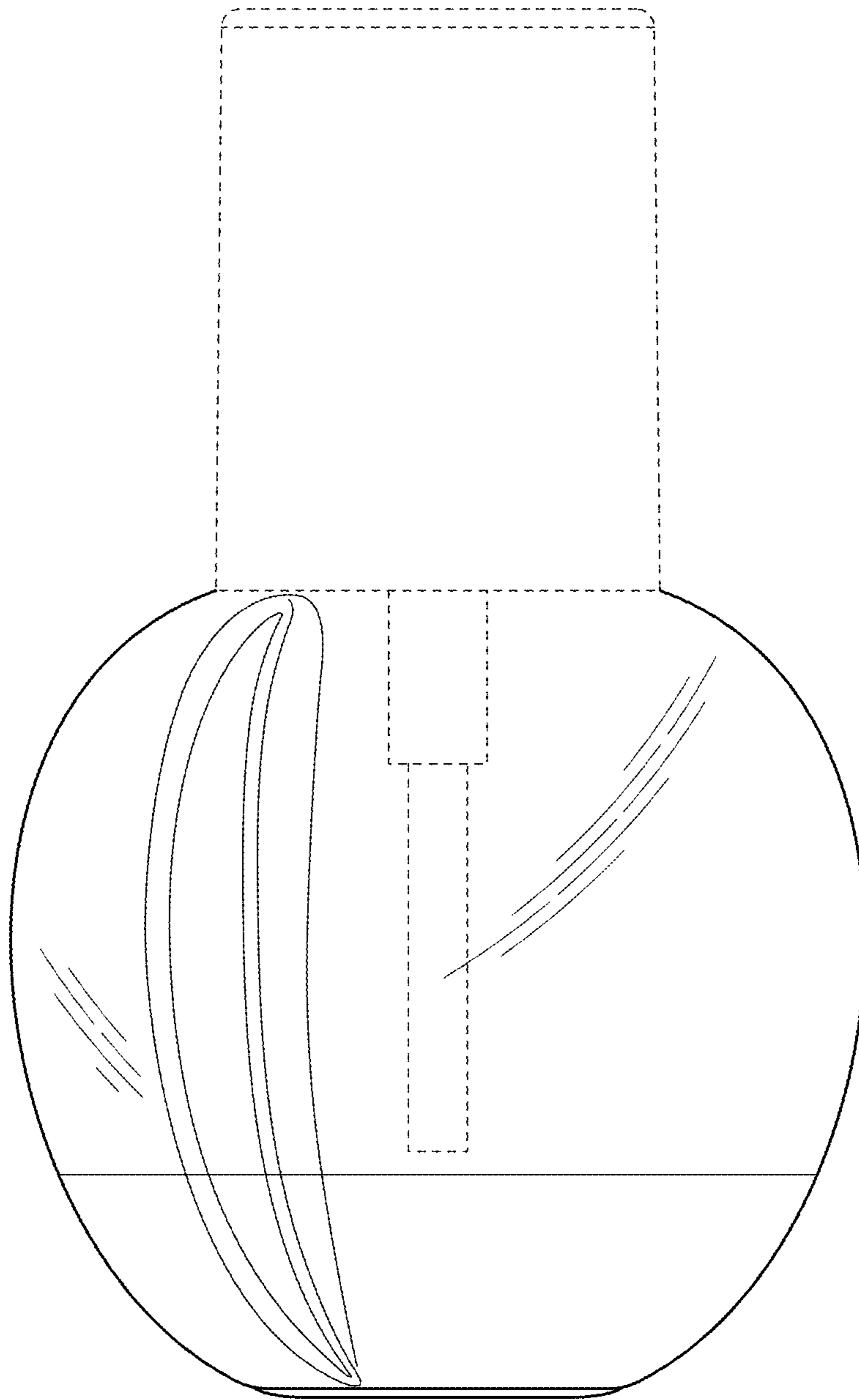


FIG. 4

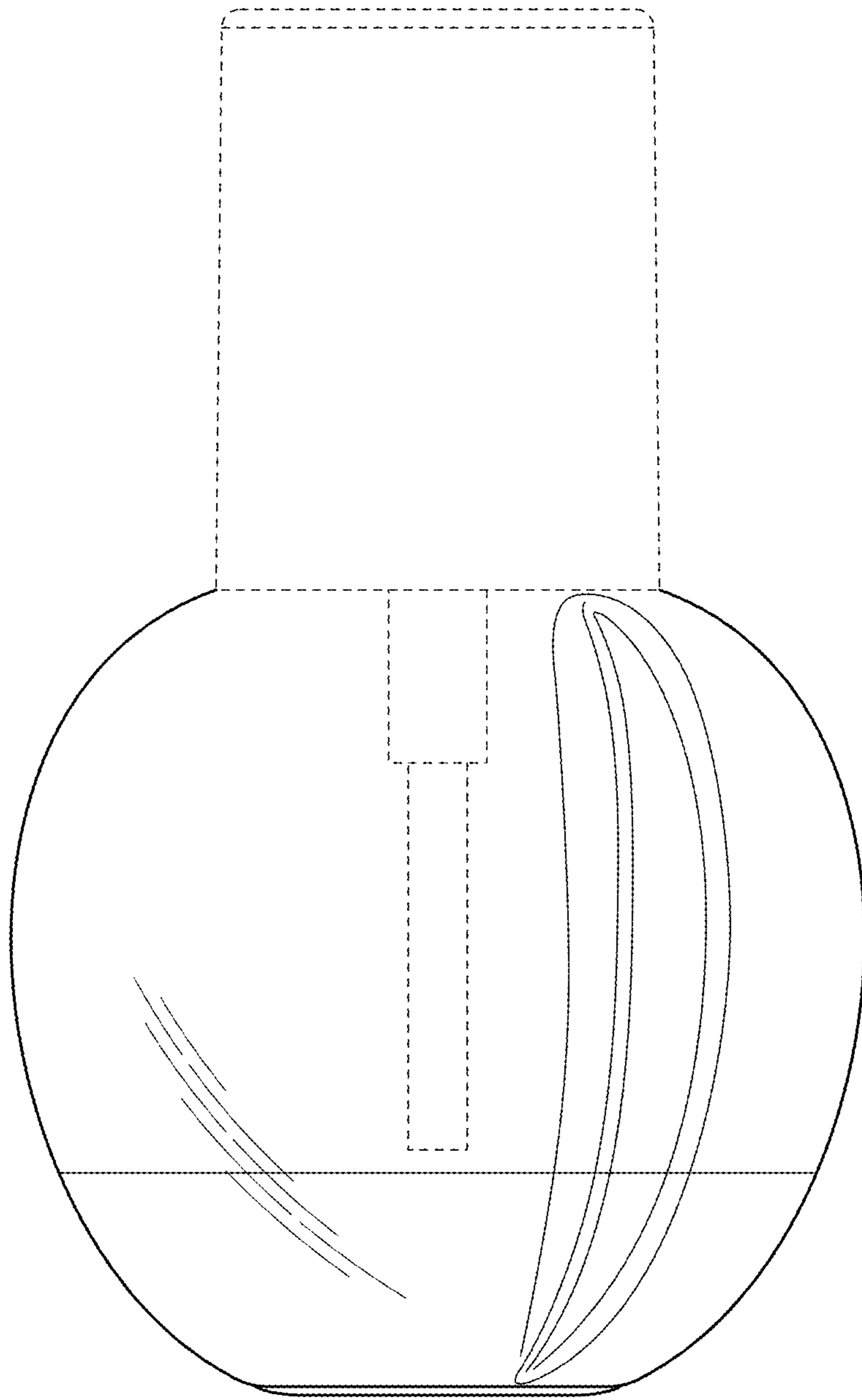


FIG. 5

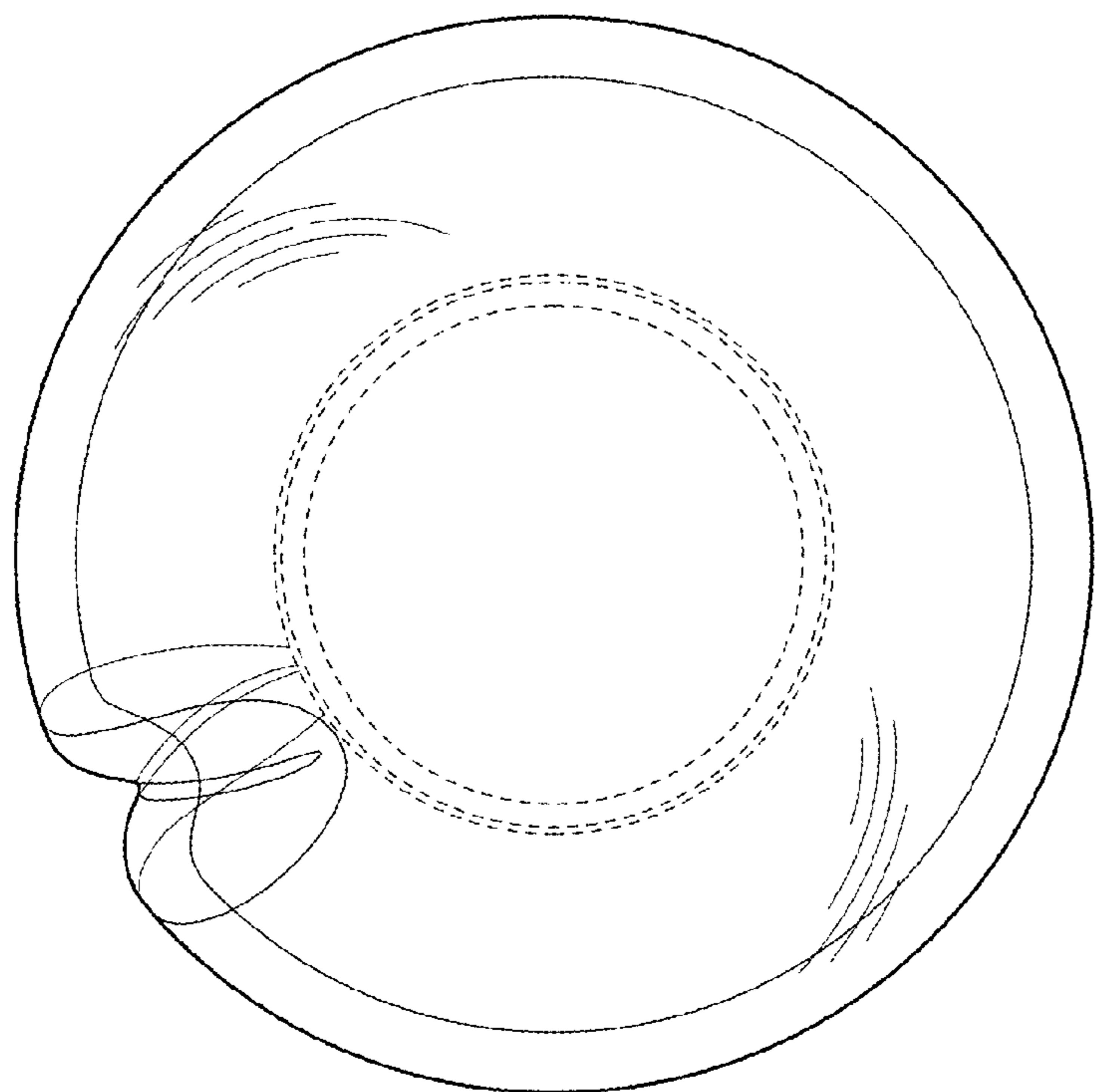


FIG. 6

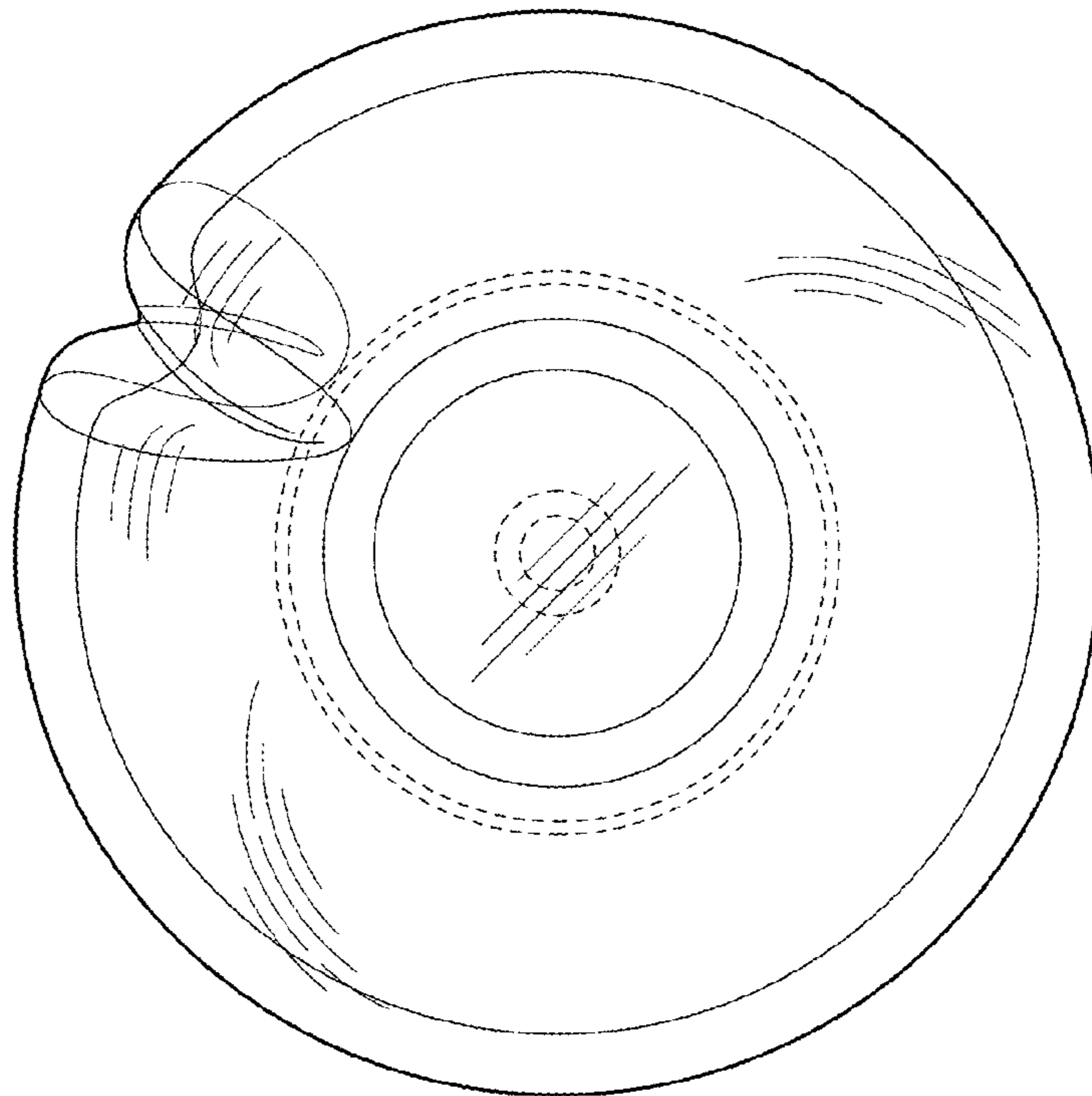


FIG. 7