



US0D1025183S

(12) **United States Design Patent** (10) **Patent No.:** **US D1,025,183 S**
Tsai et al. (45) **Date of Patent:** **** Apr. 30, 2024**

(54) **PROJECTOR**

(71) Applicant: **ViewSonic International Corporation,**
New Taipei (TW)

(72) Inventors: **Jia-Shin Tsai,** New Taipei (TW);
Shun-Chang Chen, New Taipei (TW);
Kun-Tsang Yang, New Taipei (TW)

(73) Assignee: **ViewSonic International Corporation,**
New Taipei (TW)

(**) Term: **15 Years**

(21) Appl. No.: **29/881,217**

(22) Filed: **Dec. 29, 2022**

(51) **LOC (14) Cl.** **16-02**

(52) **U.S. Cl.**
USPC **D16/229; D16/230**

(58) **Field of Classification Search**
USPC D16/221, 225, 229, 230, 231, 234, 235;
D21/514; D14/204, 216, 238, 447, 451,
D14/506, 508, 509
CPC G03B 21/16; G03B 21/145; G03B 21/142;
G03B 21/00; G03B 21/001; G03B
21/003; G03B 21/54
See application file for complete search history.

(56) **References Cited**

U.S. PATENT DOCUMENTS

D635,175 S * 3/2011 Tompkin D16/230
8,061,858 B2 * 11/2011 Belliveau G03B 21/145
348/789
9,405,176 B2 * 8/2016 Kinebuchi G03B 21/16
10,191,358 B2 * 1/2019 Jorgensen G03B 21/145
D863,408 S * 10/2019 Zheng D16/231
D865,037 S * 10/2019 Chu D16/235

D878,451 S * 3/2020 Pigino D16/229
D941,905 S 1/2022 Tsai et al.
2018/0084921 A1 * 3/2018 Huang G03B 21/145

FOREIGN PATENT DOCUMENTS

CN 304560083 3/2018
CN 305561069 1/2020
EM 008667984-0001 9/2021
JP D1340465 9/2008
JP D1641954 9/2019
TW D199329 8/2019

OTHER PUBLICATIONS

“Notice of allowance of Taiwan Counterpart Application”, issued on
Jun. 27, 2023, p. 1-p. 4.

* cited by examiner

Primary Examiner — Wan Laymon

(74) *Attorney, Agent, or Firm* — JCIPRNET

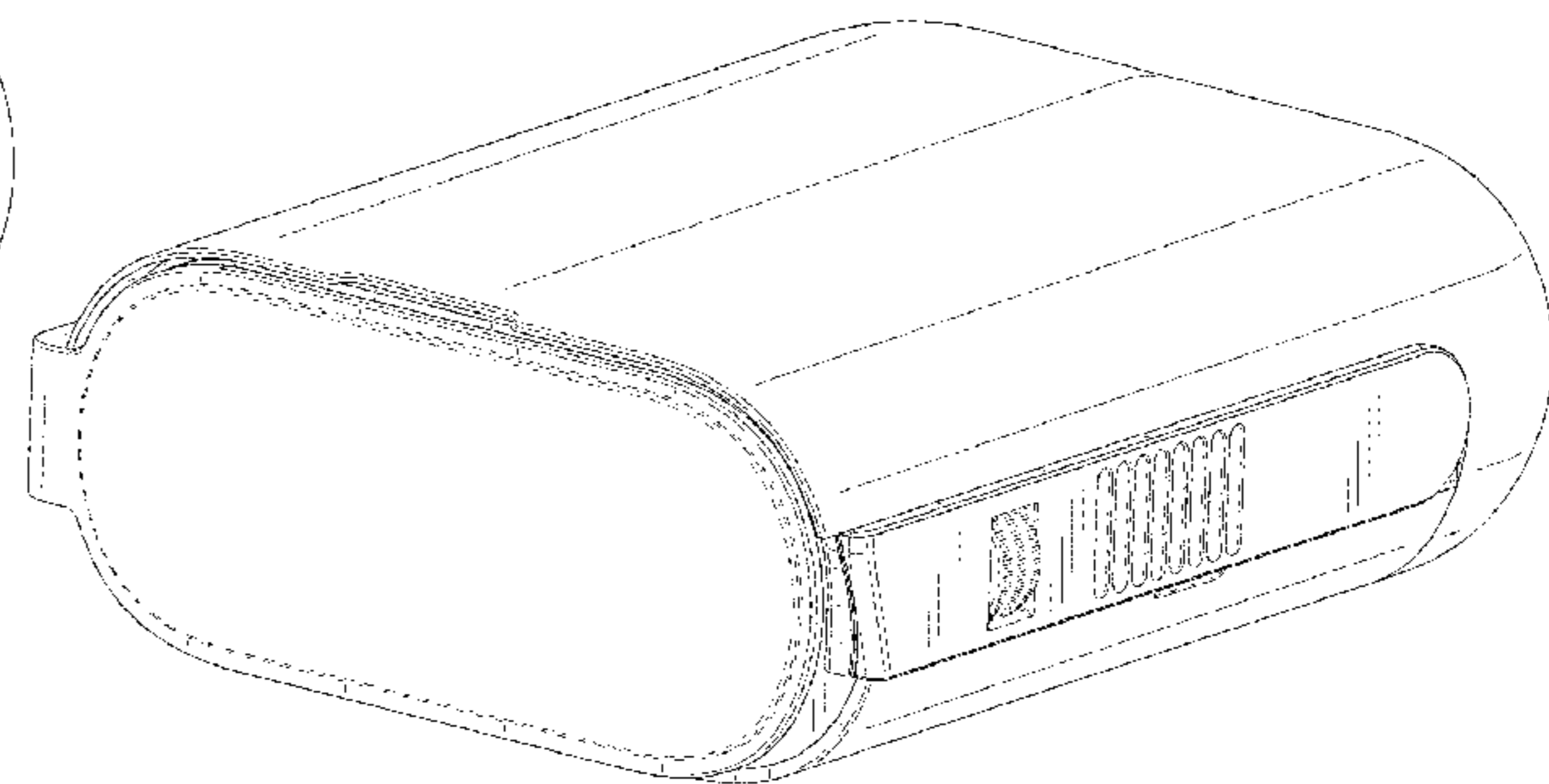
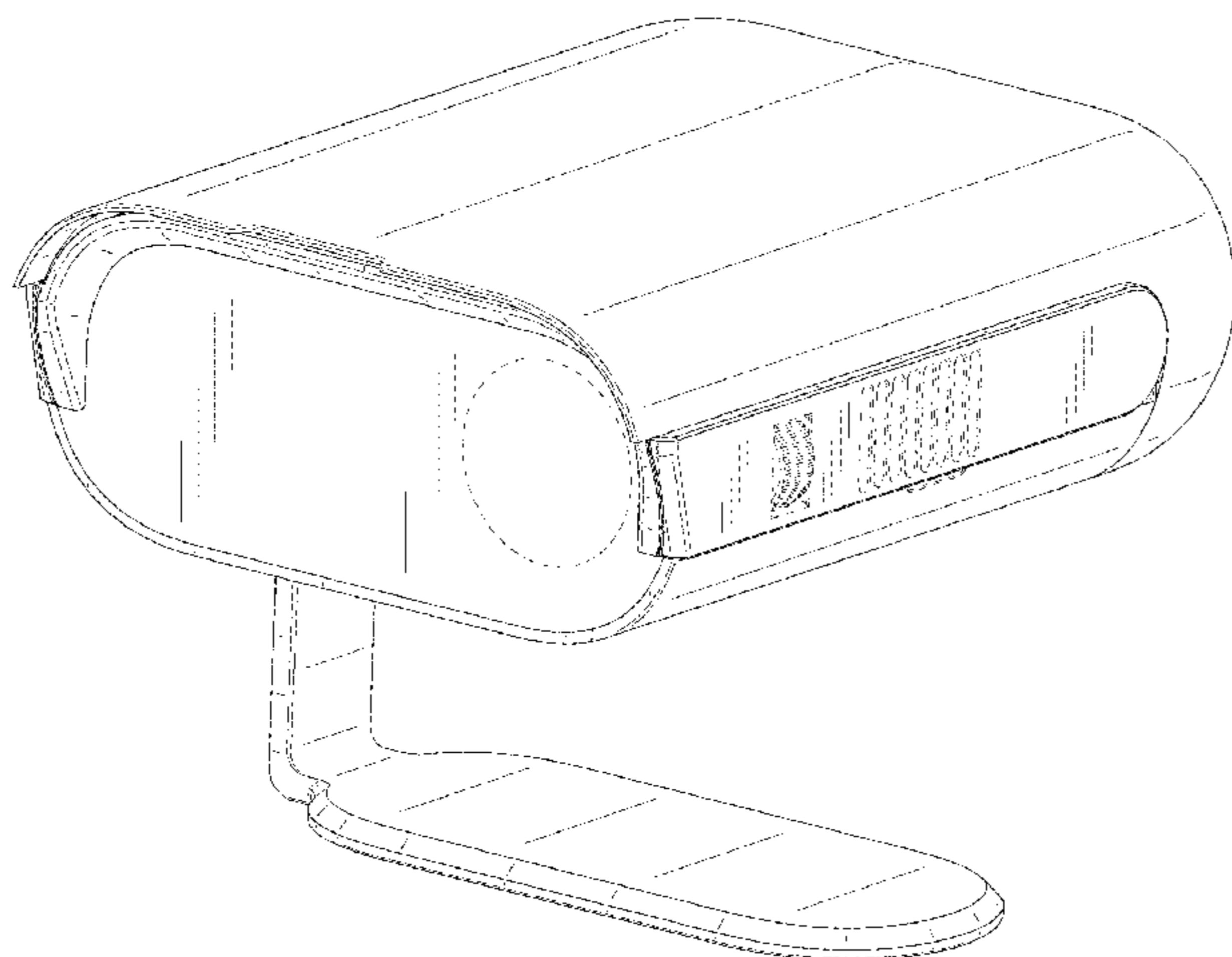
(57) **CLAIM**

The ornamental design for a projector, as shown and
described.

DESCRIPTION

FIG. 1 is a perspective view of a projector showing our new
design;
FIG. 2 is another perspective view thereof;
FIG. 3 is a front view thereof;
FIG. 4 is a rear view thereof;
FIG. 5 is a left side view thereof;
FIG. 6 is a right side view thereof;
FIG. 7 is a top view thereof;
FIG. 8 is a bottom view thereof; and,
FIG. 9 is a perspective view thereof in a folded state.
The broken lines illustrate portions of the projector that form
no part of the claimed design.

1 Claim, 9 Drawing Sheets



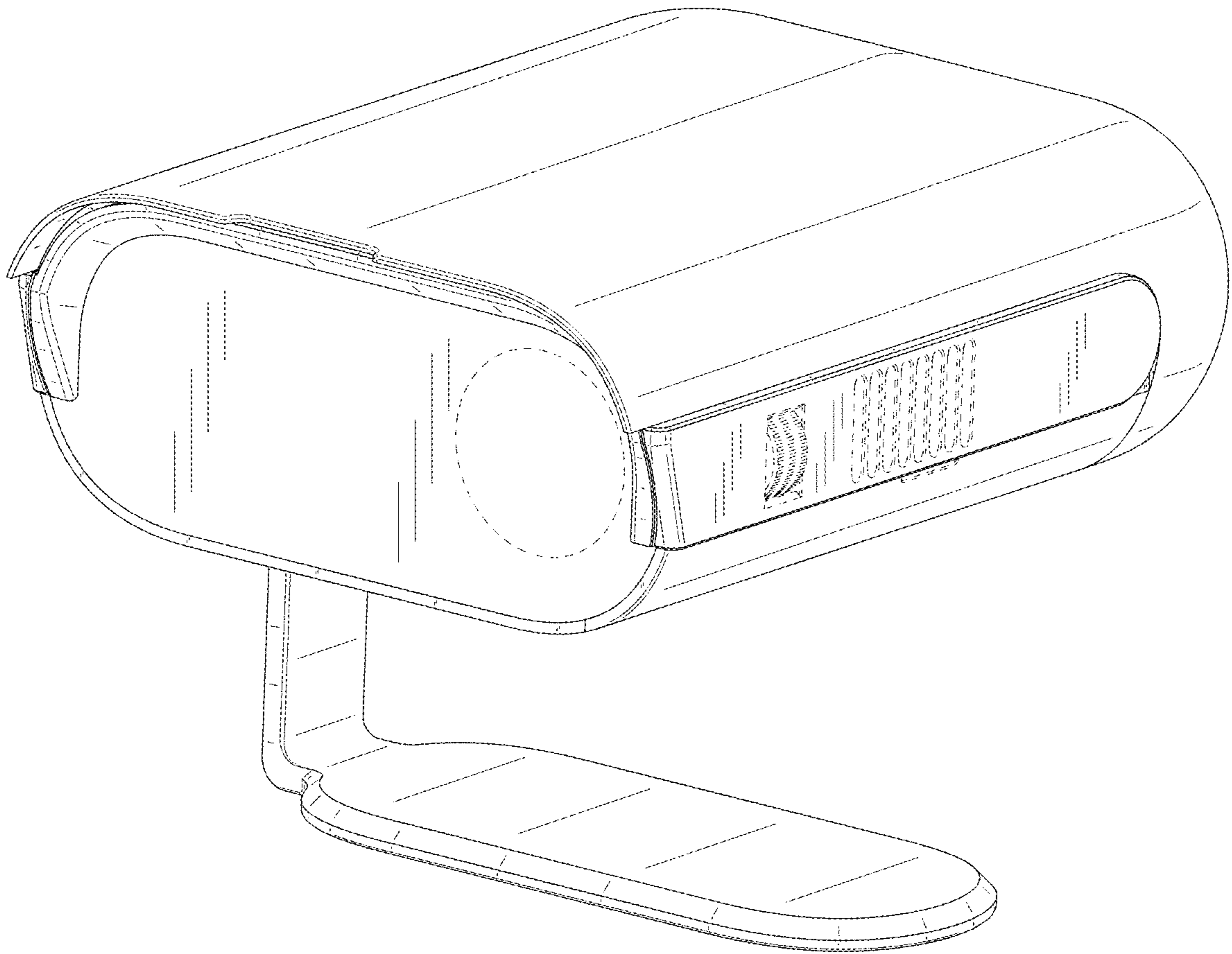


FIG. 1

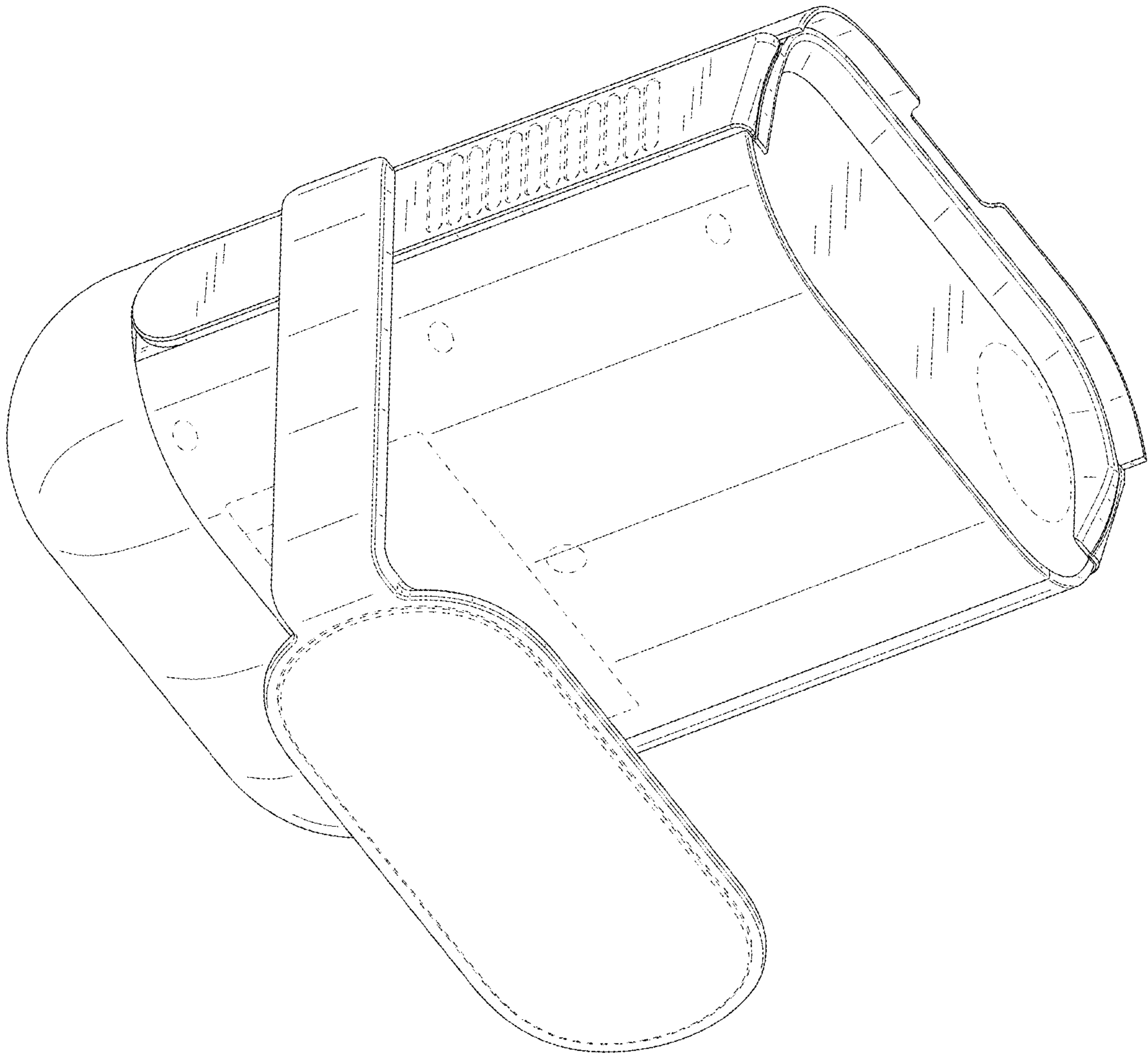


FIG. 2

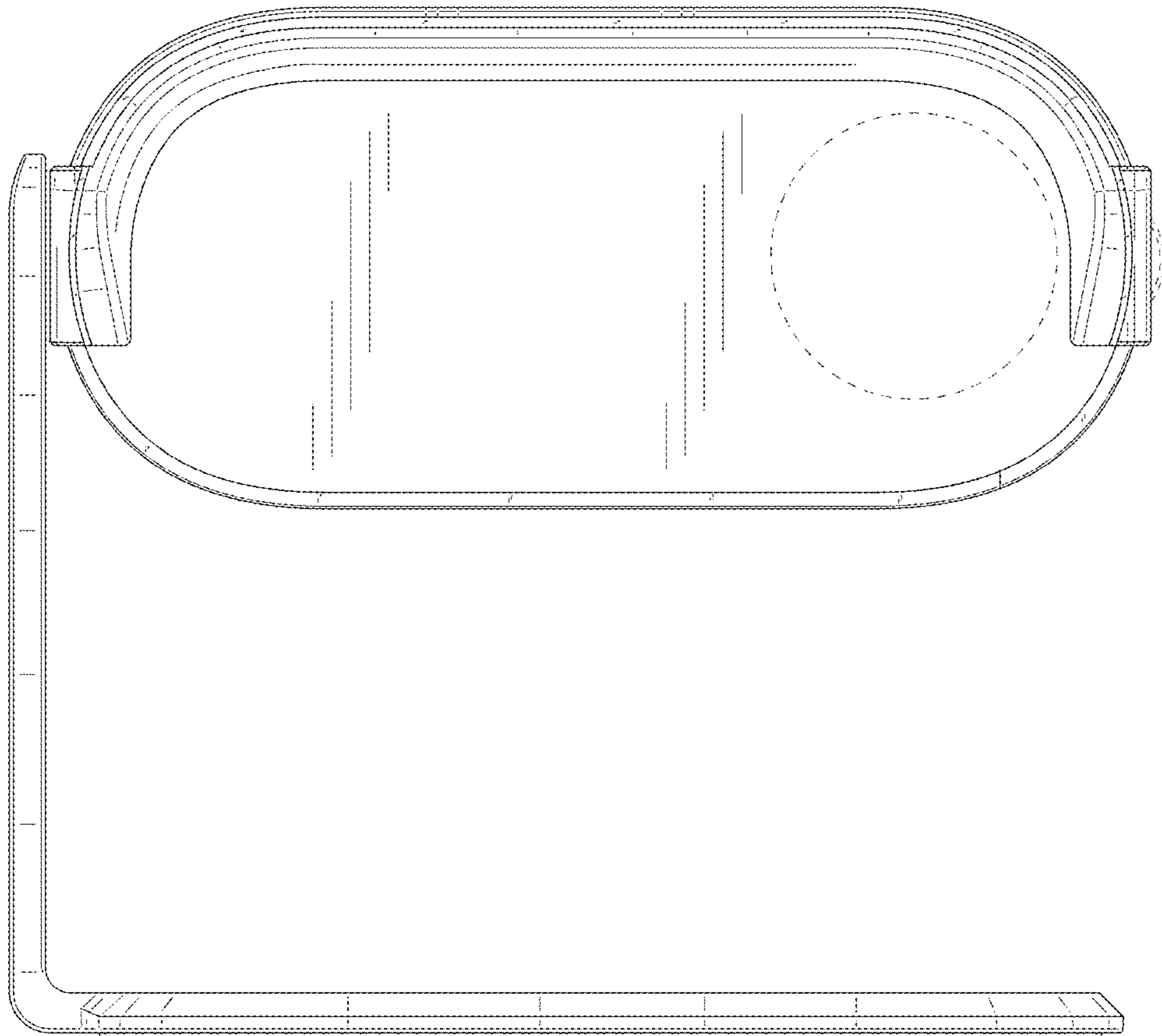


FIG. 3

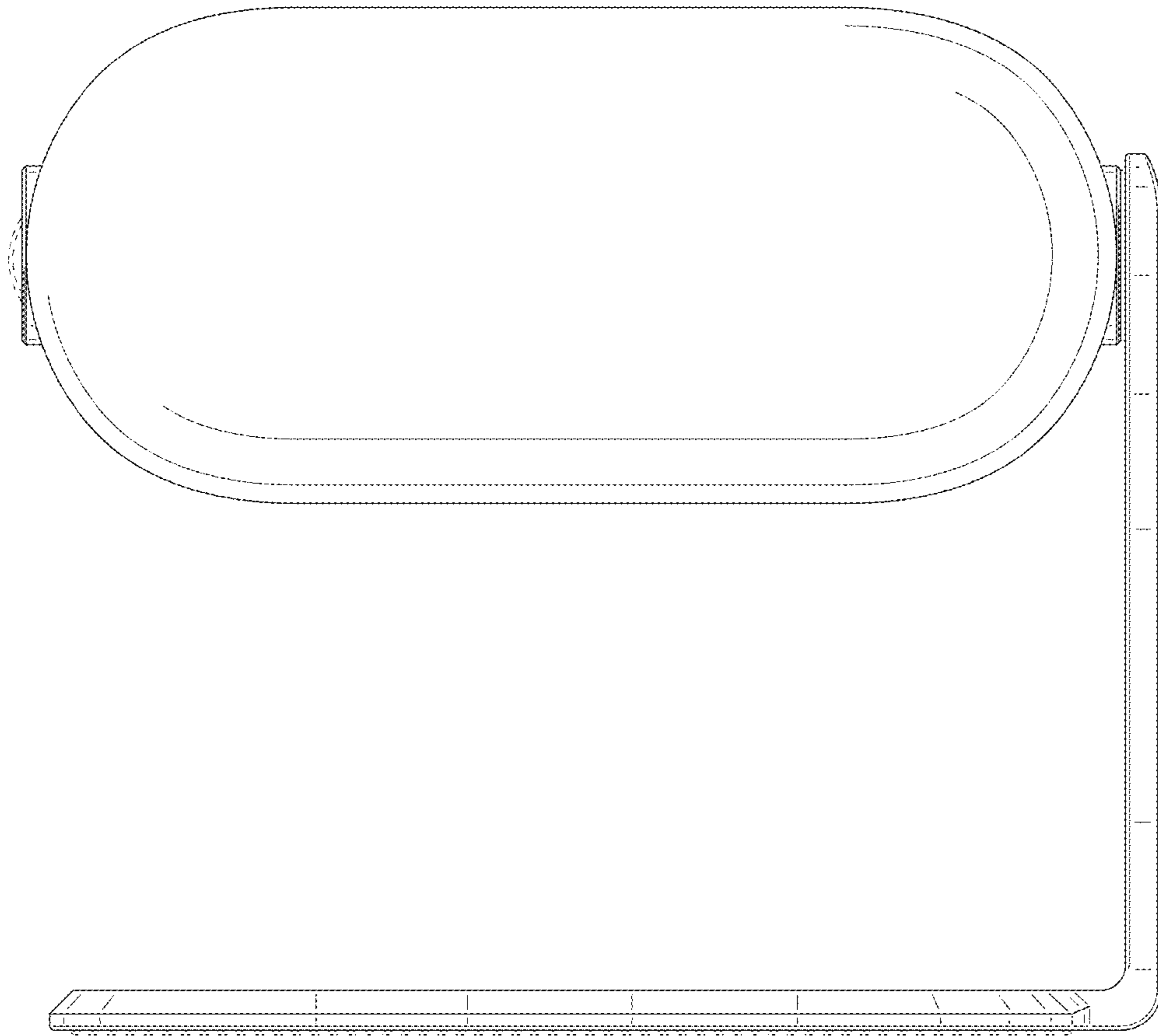


FIG. 4

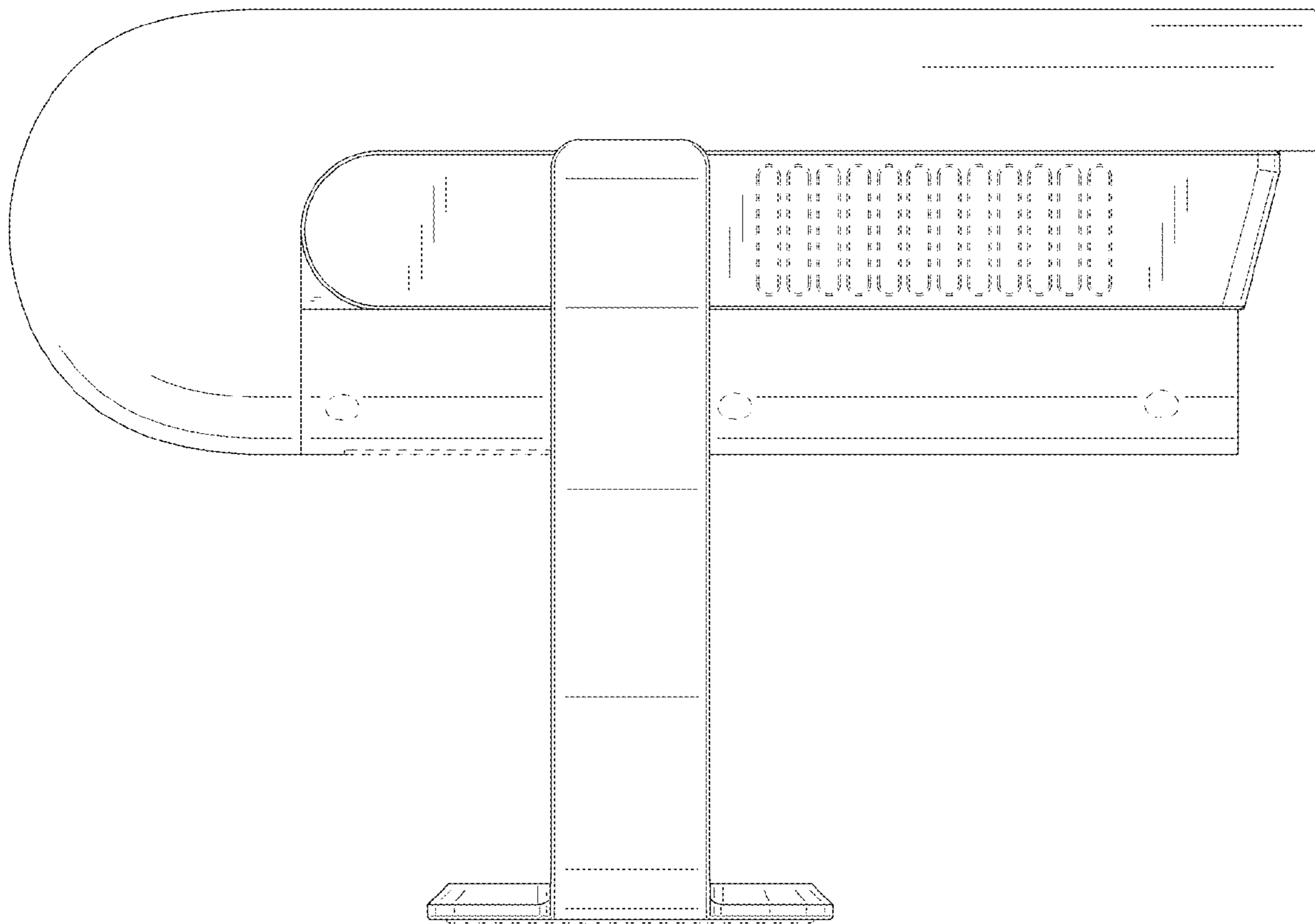


FIG. 5

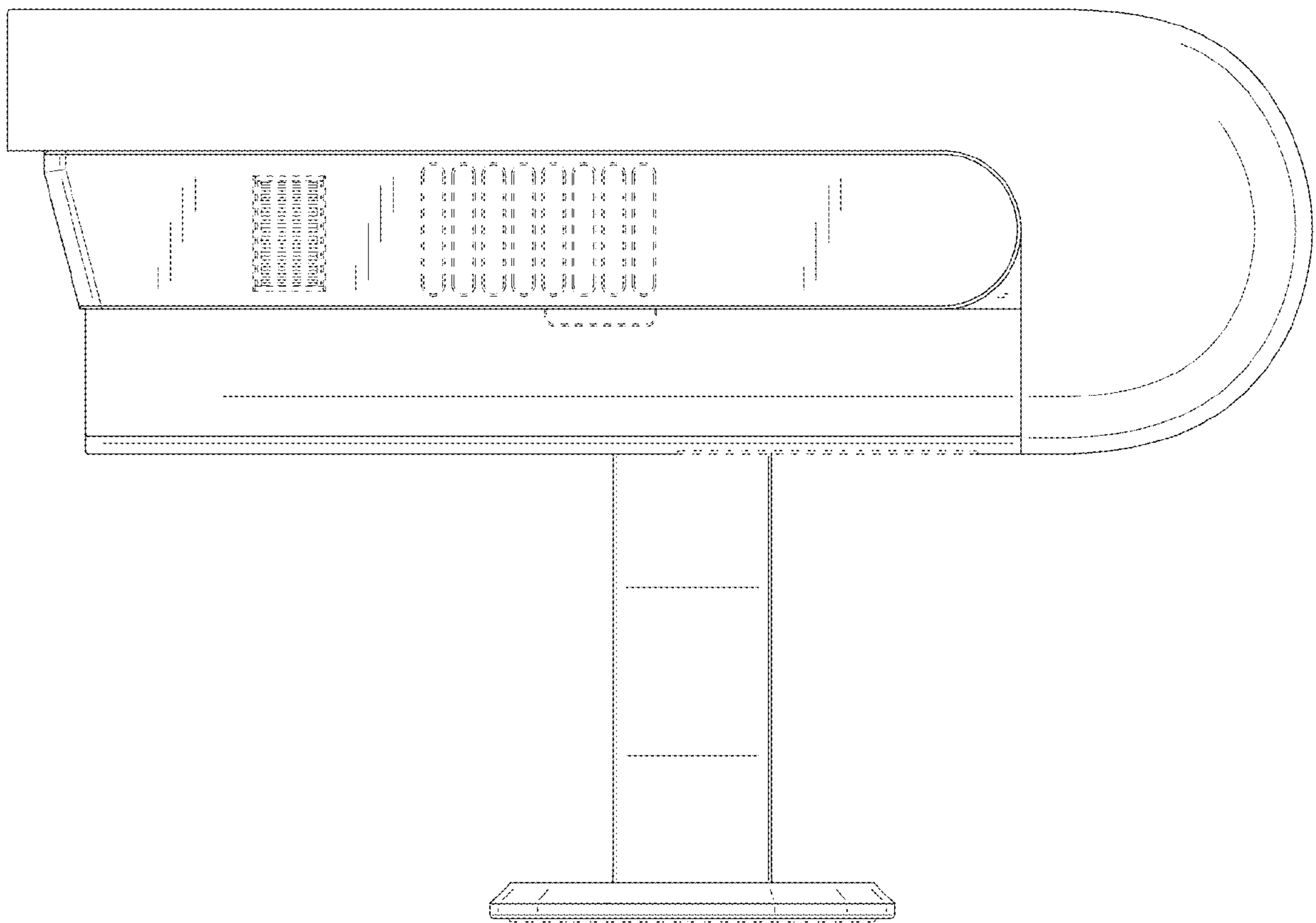


FIG. 6

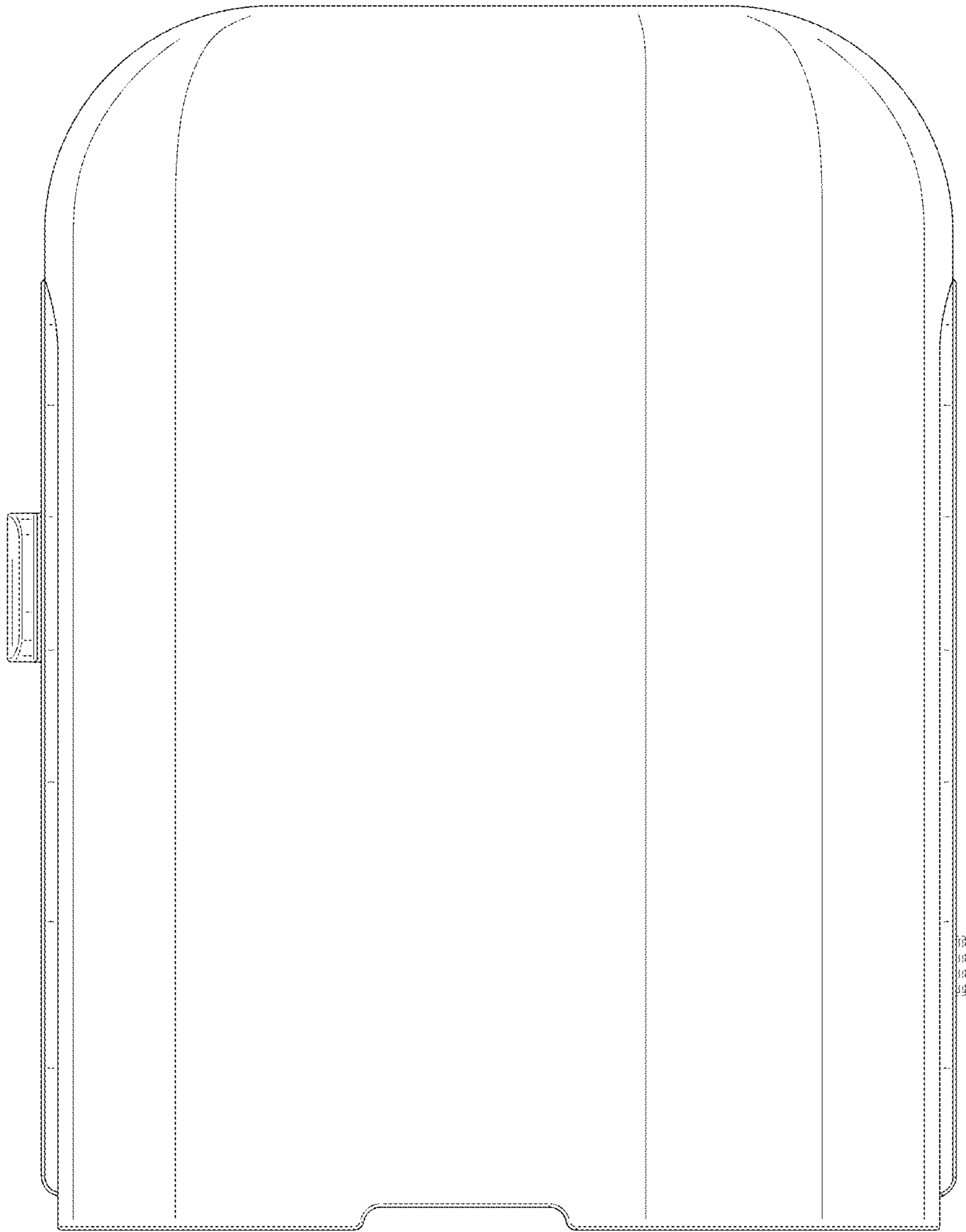


FIG. 7

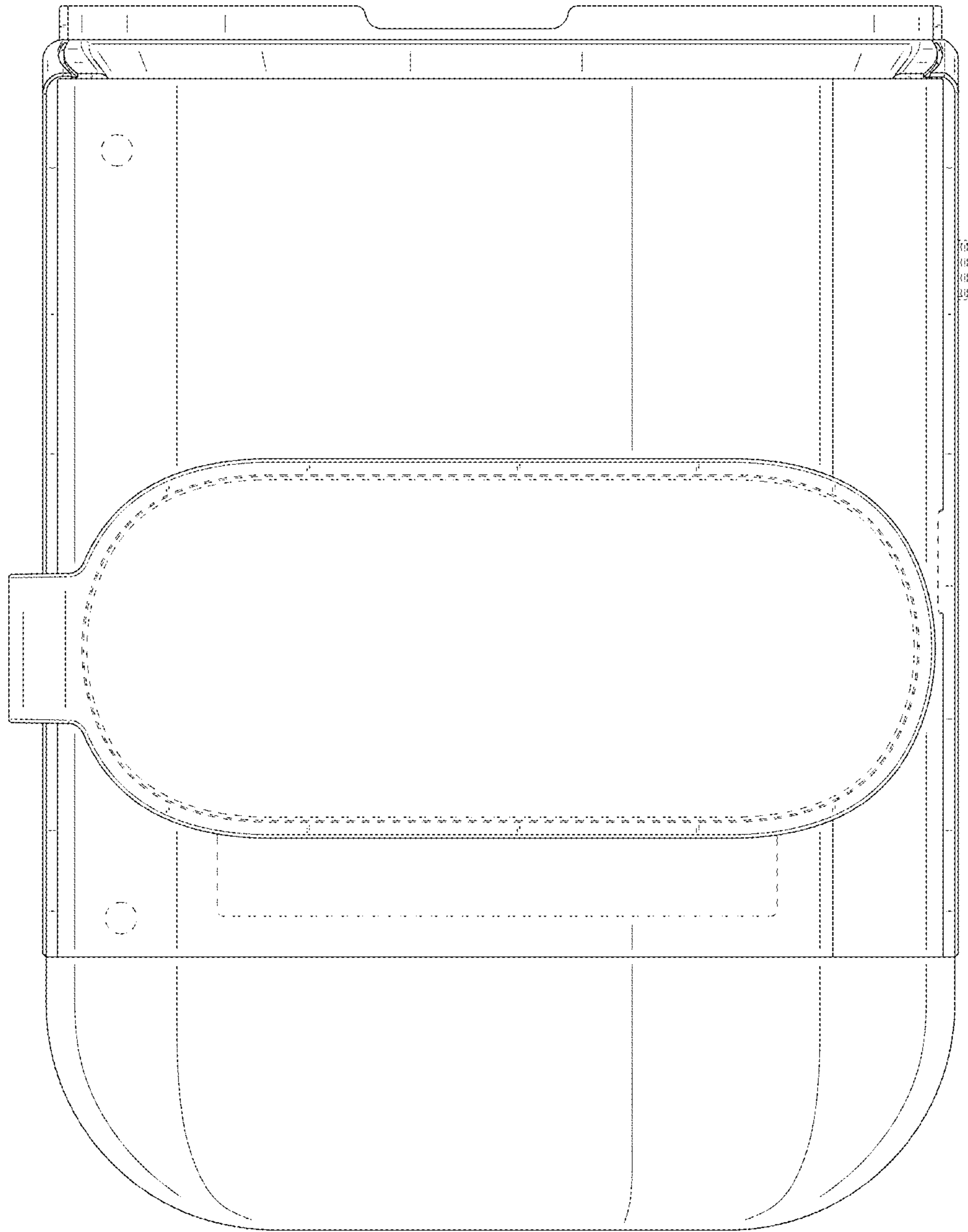


FIG. 8

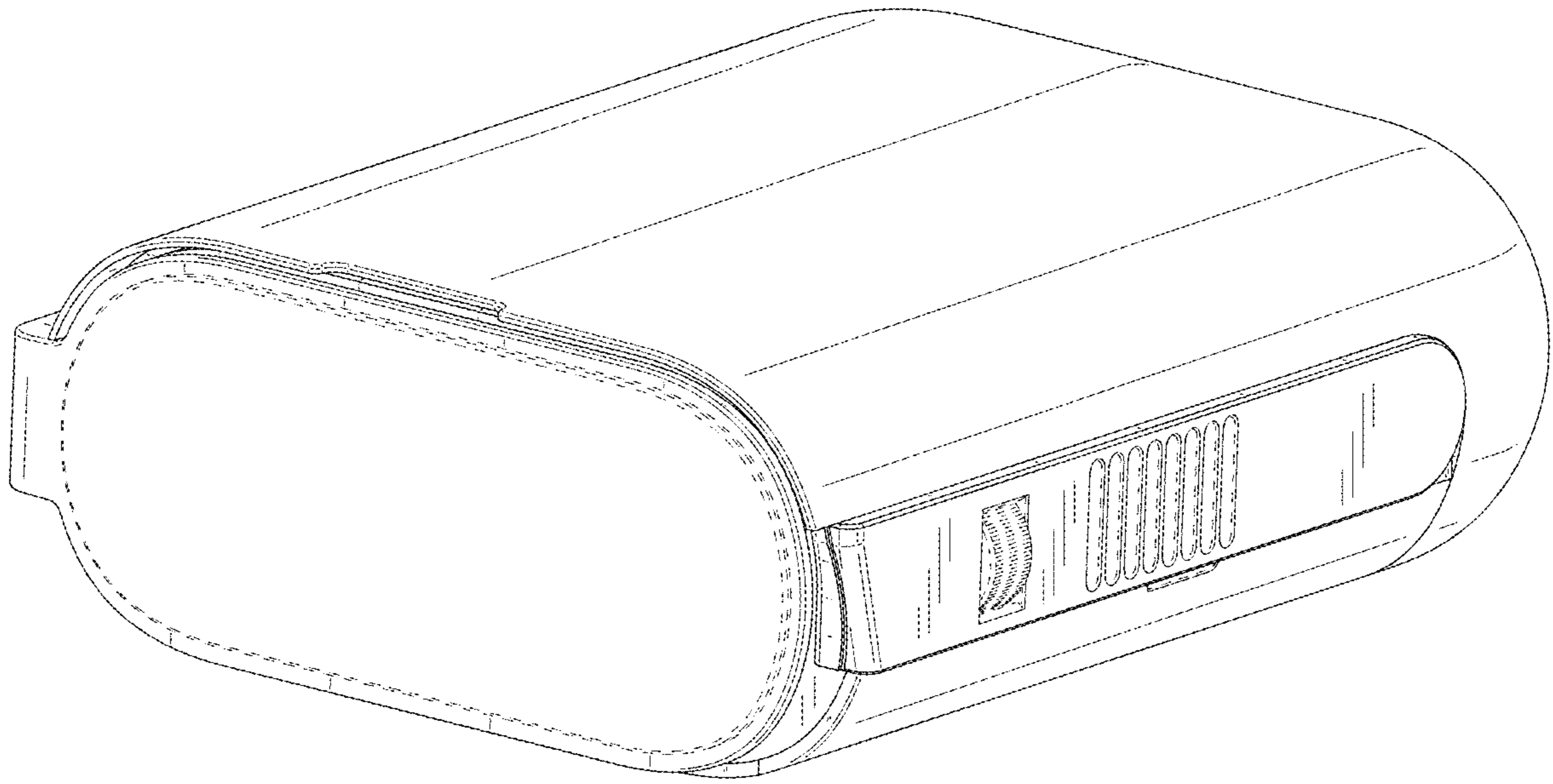


FIG. 9