



US0D1025073S

(12) **United States Design Patent** (10) **Patent No.:** **US D1,025,073 S**  
**Zhang** (45) **Date of Patent:** **\*\* Apr. 30, 2024**

- (54) **BARCODE SCANNER**
- (71) Applicant: **SHENZHEN SKY BLUE OCEAN TECHNOLOGY CO., LIMITED**, Shenzhen (CN)
- (72) Inventor: **Zhigao Zhang**, Shenzhen (CN)
- (73) Assignee: **SHENZHEN SKY BLUE OCEAN TECHNOLOGY CO., LIMITED**, Shenzhen (CN)
- (\*\*) Term: **15 Years**
- (21) Appl. No.: **29/867,495**
- (22) Filed: **Oct. 27, 2022**
- (51) **LOC (14) Cl.** ..... **14-02**
- (52) **U.S. Cl.**  
USPC ..... **D14/427**
- (58) **Field of Classification Search**  
USPC ..... D14/218, 358, 383, 388, 420, 425-430; D18/12; D13/168  
CPC .. G06K 1/00; G06K 3/00; G06K 5/00; G06K 7/00; G06K 7/10881; G06K 2007/10524  
See application file for complete search history.

- (56) **References Cited**  
U.S. PATENT DOCUMENTS
- |          |   |   |         |             |         |
|----------|---|---|---------|-------------|---------|
| D669,473 | S | * | 10/2012 | Gronau      | D14/420 |
| D716,304 | S | * | 10/2014 | Orthey      | D14/420 |
| D721,704 | S | * | 1/2015  | Carreon     | D14/425 |
| D795,874 | S | * | 8/2017  | Szeremeta   | D14/432 |
| D833,437 | S | * | 11/2018 | Campanini   | D14/420 |
| D863,303 | S | * | 10/2019 | Watanabe    | D14/453 |
| D863,304 | S | * | 10/2019 | Watanabe    | D14/453 |
| D900,102 | S | * | 10/2020 | Oberpriller | D14/427 |
| D910,635 | S | * | 2/2021  | Lee         | D14/420 |
| D929,994 | S | * | 9/2021  | Zhang       | D14/420 |

D943,585 S \* 2/2022 Engineer ..... D14/420  
D952,638 S \* 5/2022 Kirchner ..... D14/420  
2006/0289771 A1\* 12/2006 White ..... G06K 7/10891  
250/370.1

**OTHER PUBLICATIONS**

Amazon.com \_ Eyoyo Wearable Glove Ring Bluetooth Barcode Scanner, first available May 19, 2022 [online], retrieved Dec. 7, 2023, available at URL: <https://a.co/d/3zNVebd> (Year: 2022).\*

Amazon.com \_ Netum Bluetooth 2D Barcode Scanner, first available May 16, 2022 [online], retrieved Dec. 7, 2023, available at URL: <https://a.co/d/ip83OC1> (Year: 2022).\*

Amazon.com \_ Posunitech Glove Barcode Scanner, first available Sep. 5, 2020 [online], retrieved Dec. 7, 2023, available at URL: <https://a.co/d/9AwK0GX> (Year: 2020).\*

\* cited by examiner

*Primary Examiner* — Wendy L Arminio  
*Assistant Examiner* — Carrie S Gelula

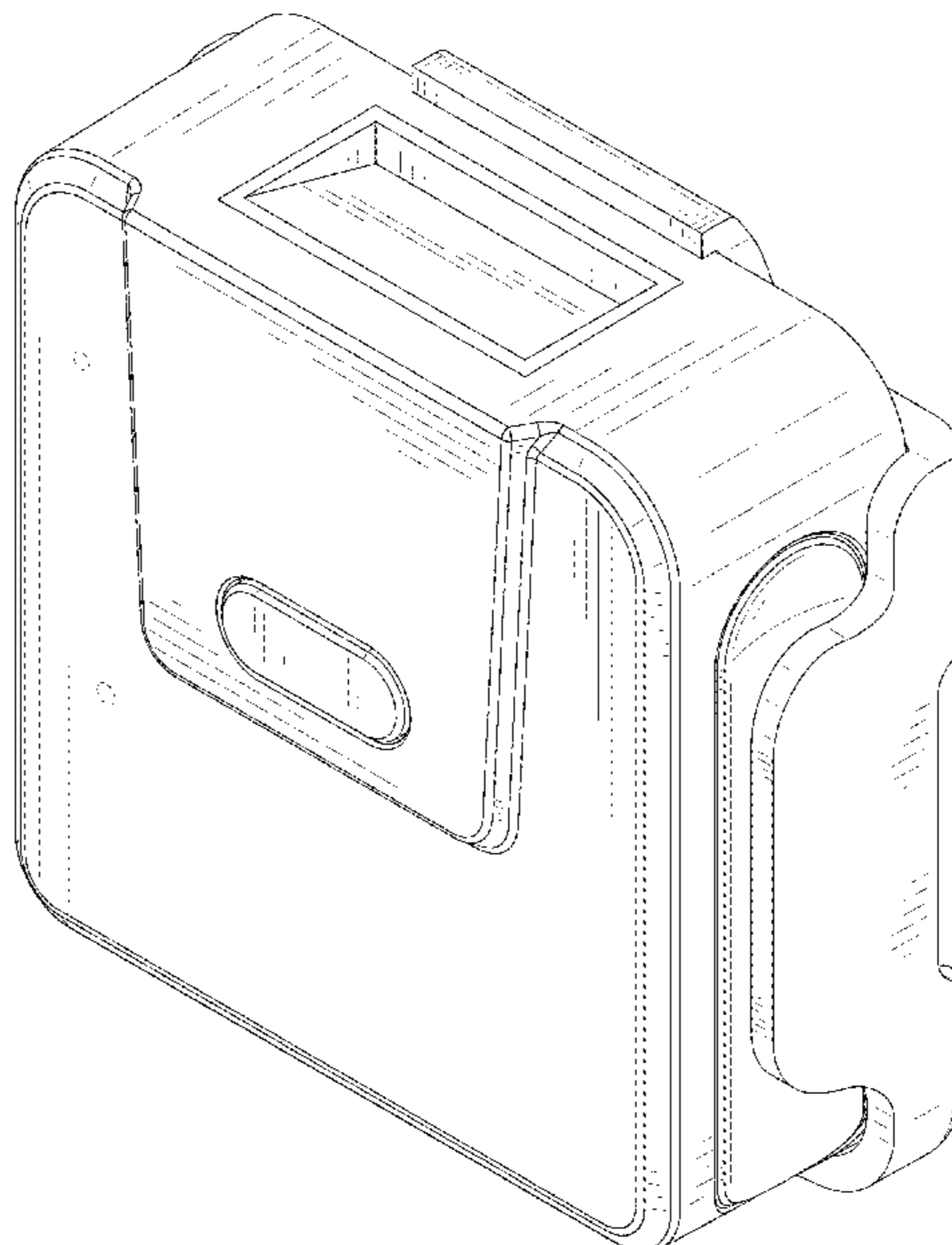
(57) **CLAIM**

The ornamental design for a barcode scanner, as shown and described.

**DESCRIPTION**

FIG. 1 is a perspective view of a barcode scanner showing my new design;  
FIG. 2 is another perspective view thereof;  
FIG. 3 is a front elevational view thereof;  
FIG. 4 is a rear elevational view thereof;  
FIG. 5 is a left side elevational view thereof;  
FIG. 6 is a right side elevational view thereof;  
FIG. 7 is a top plan view thereof; and,  
FIG. 8 is a bottom plan view thereof.  
The broken lines in the drawings depict portions of the barcode scanner that form no part of the claimed design.

**1 Claim, 8 Drawing Sheets**



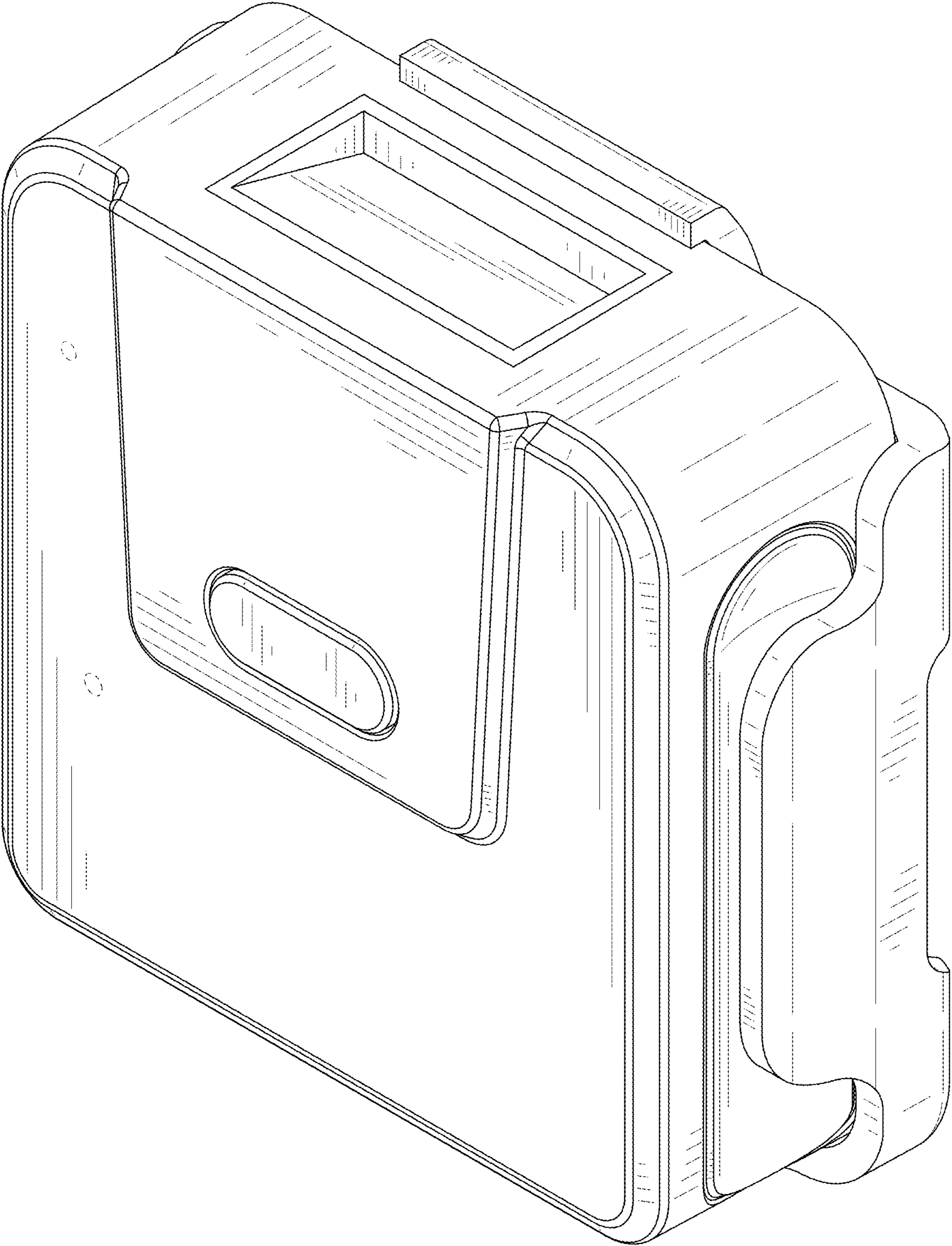


FIG. 1

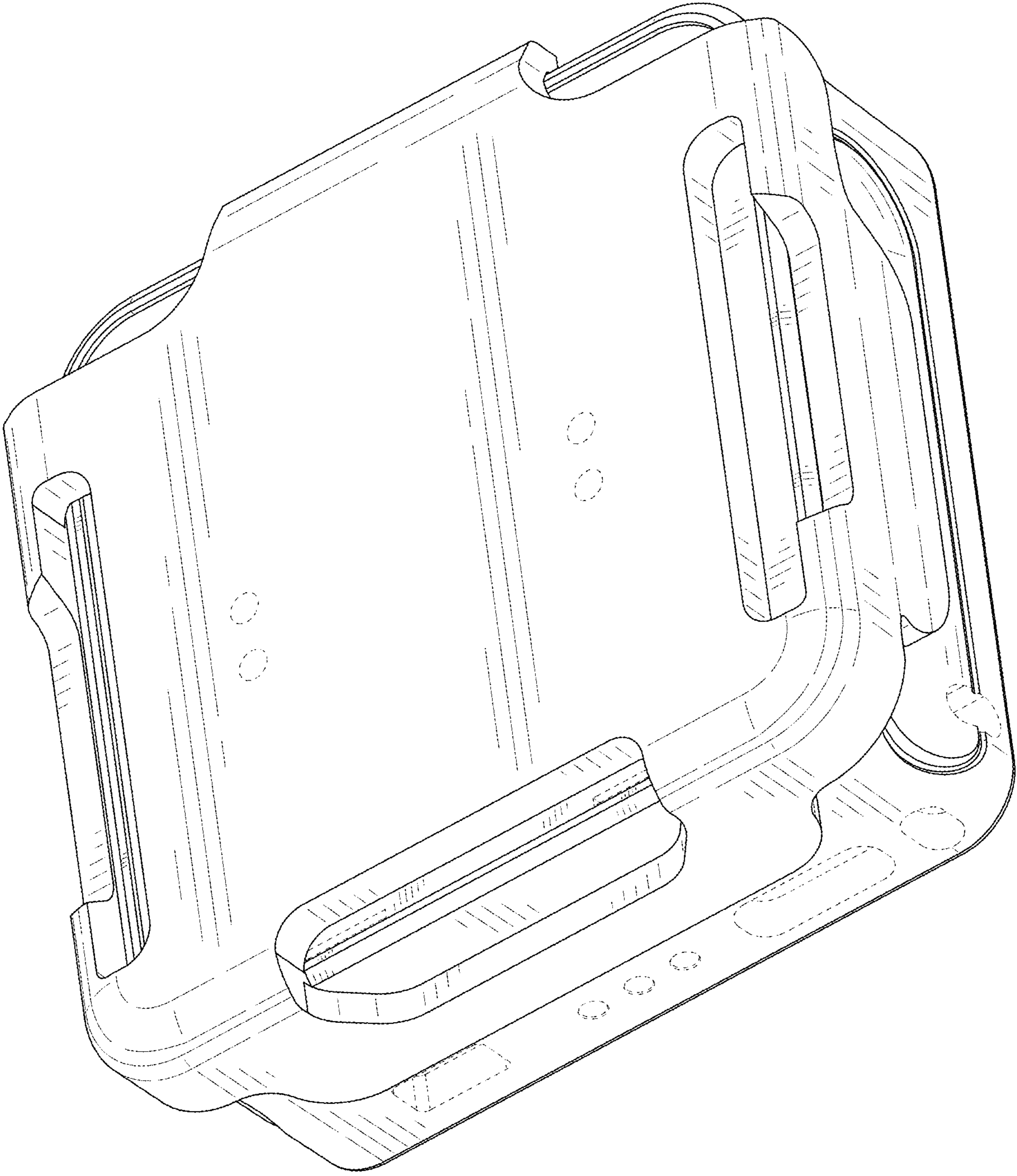


FIG. 2

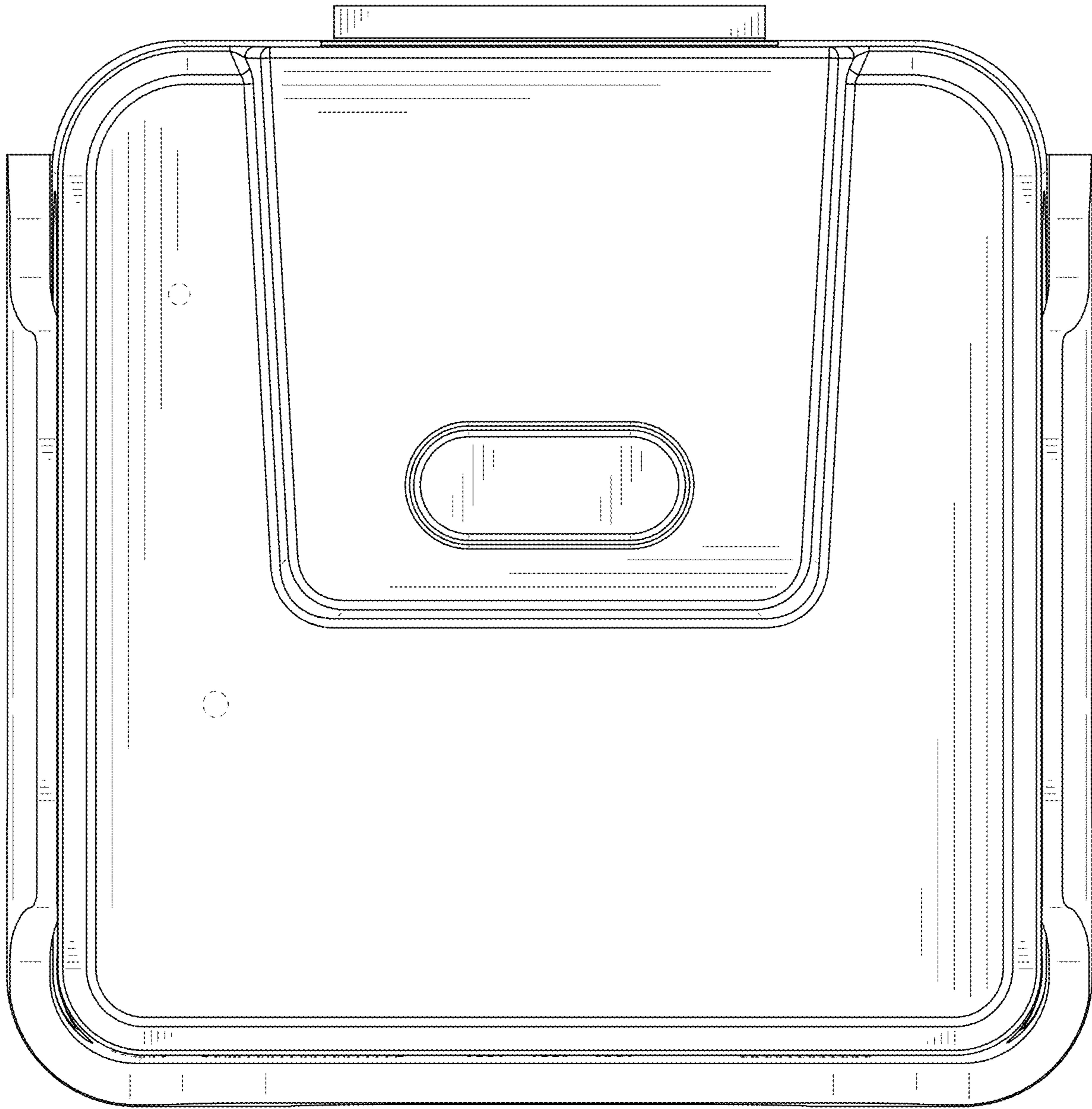


FIG. 3

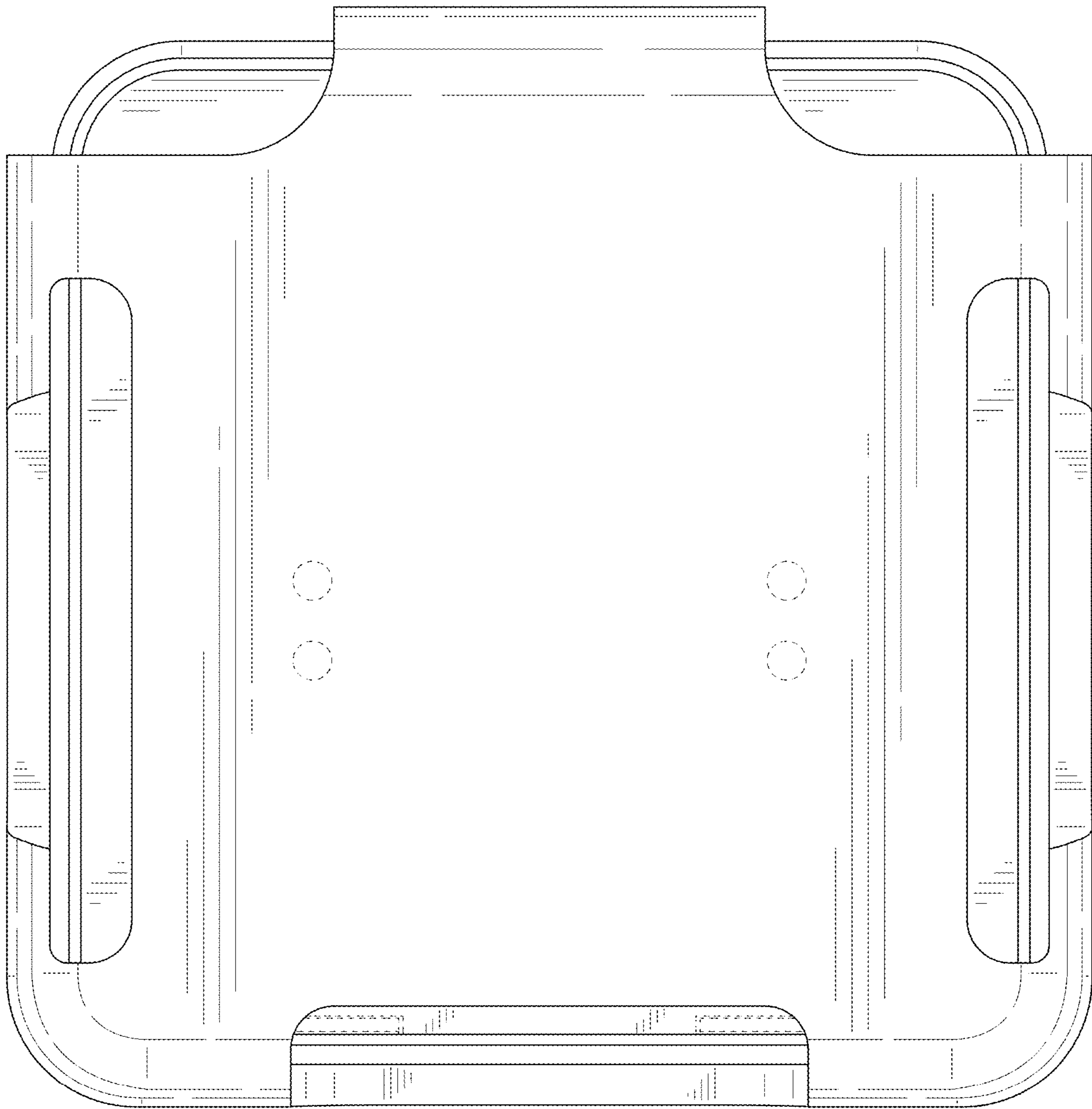


FIG. 4

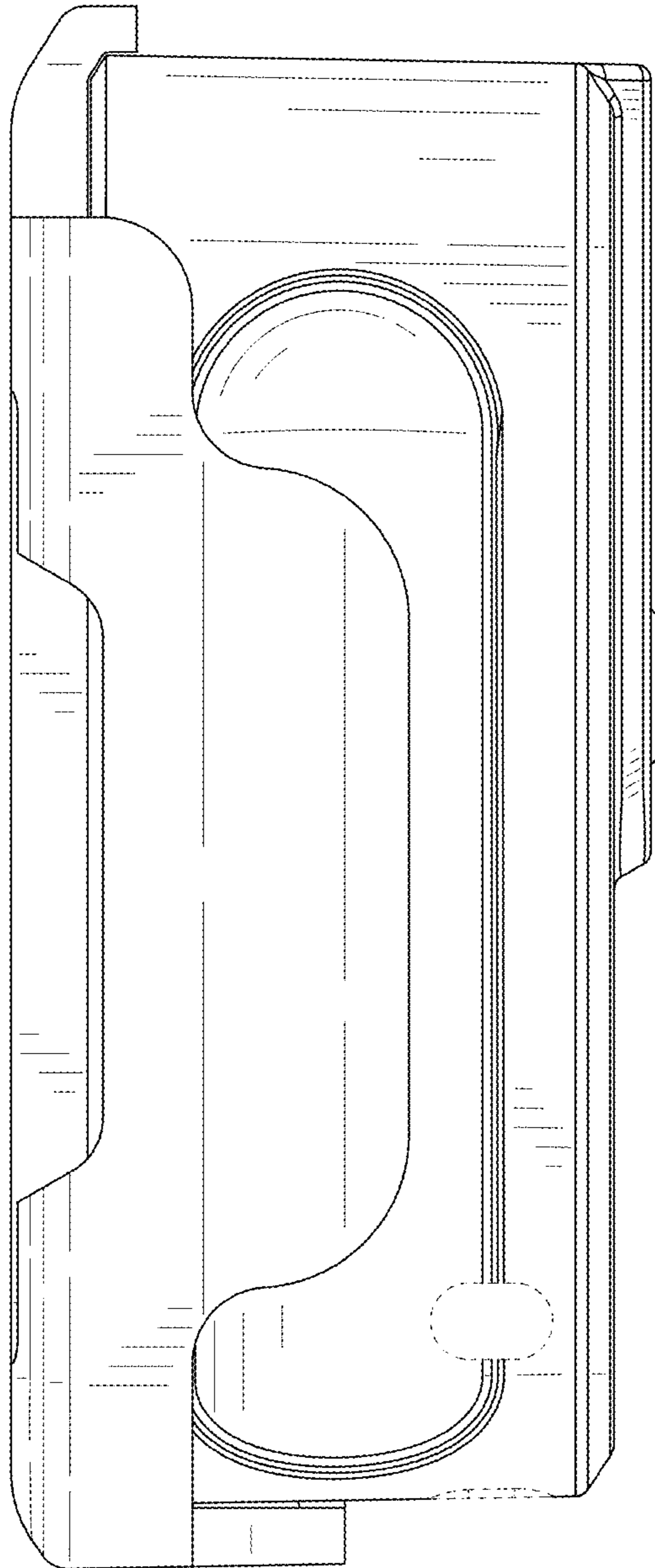


FIG. 5

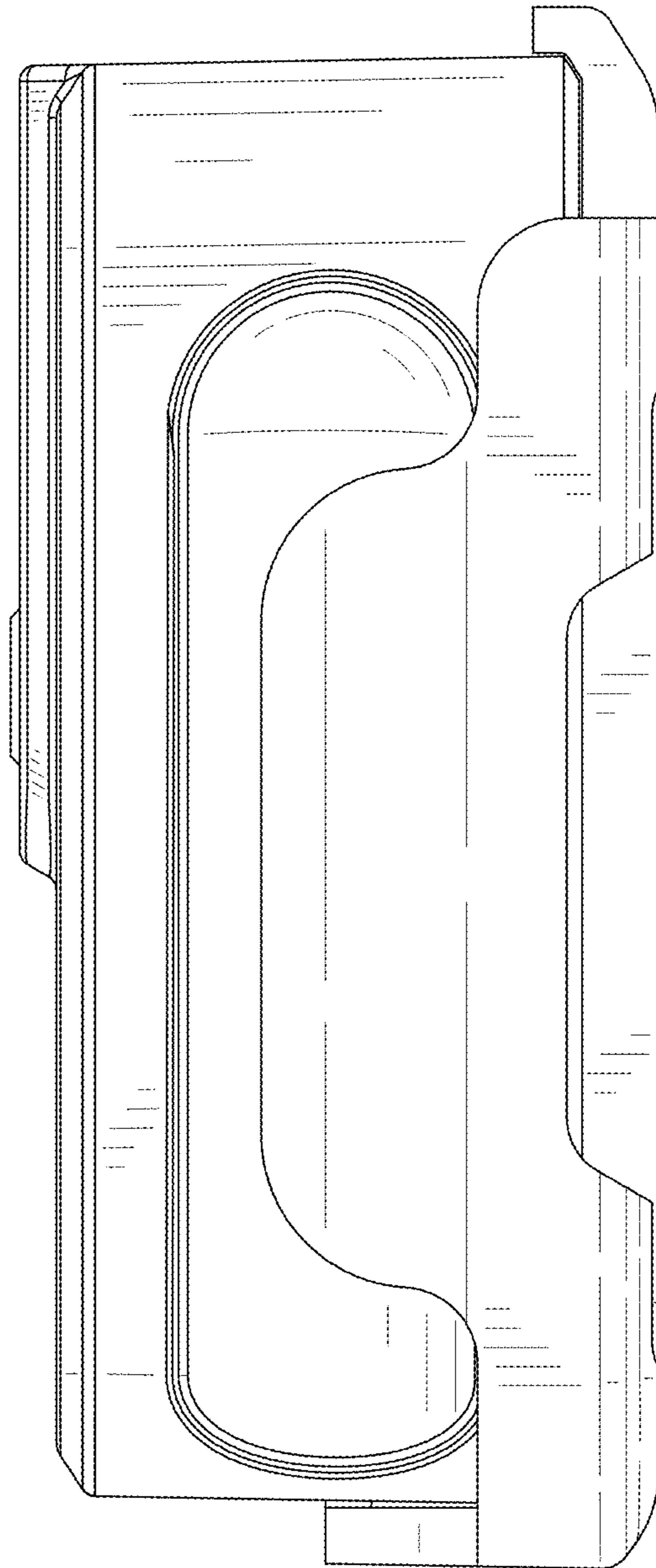


FIG. 6

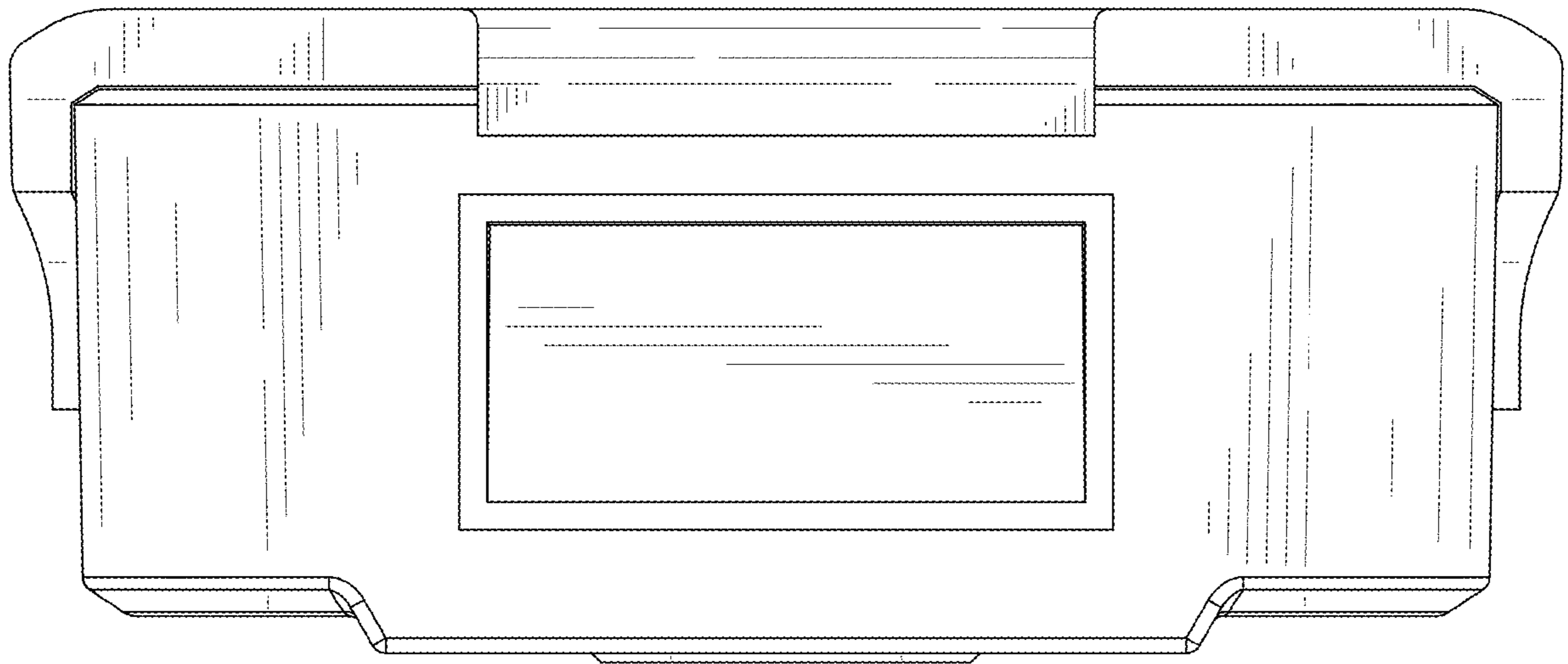


FIG. 7



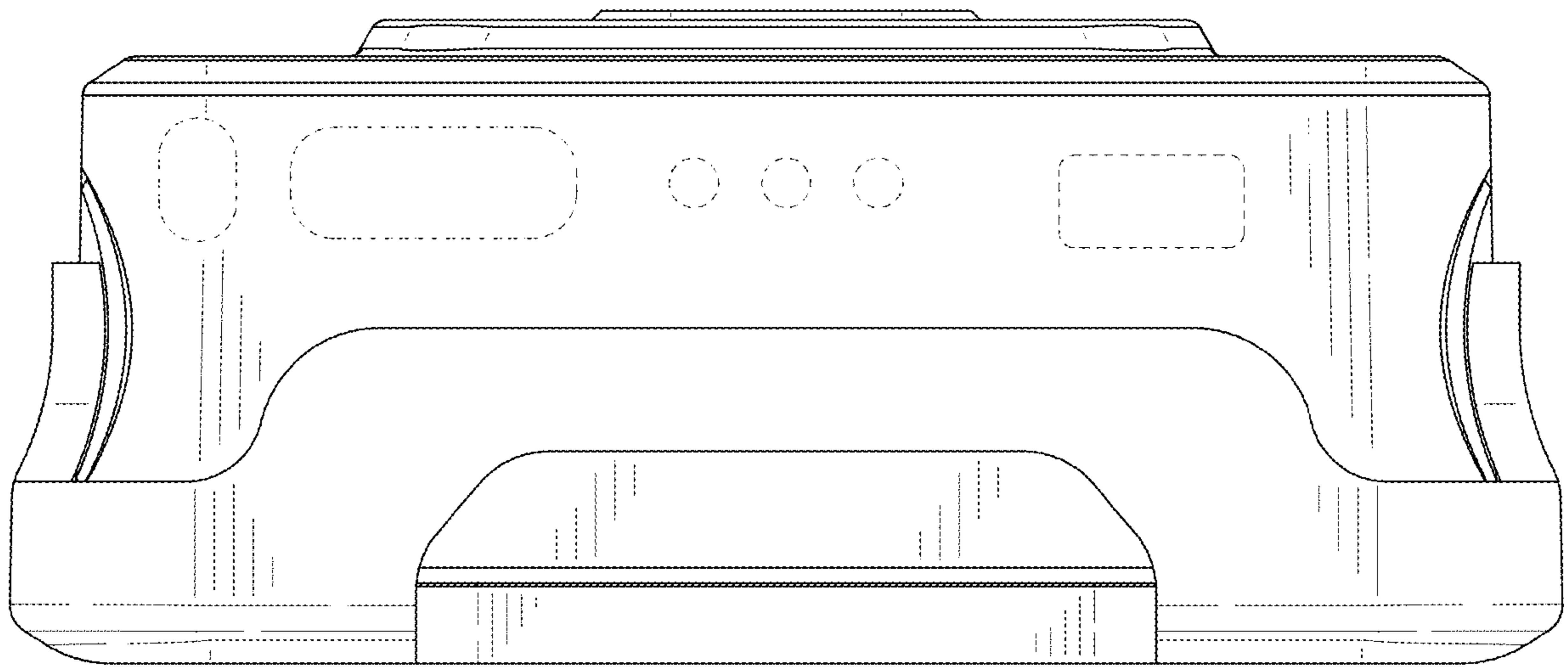


FIG. 8