



US0D1025032S

(12) **United States Design Patent** (10) **Patent No.:** **US D1,025,032 S**  
**Chang et al.** (45) **Date of Patent:** **\*\* Apr. 30, 2024**

(54) **ANTENNA**

(71) Applicant: **Airgain, Inc.**, San Diego, CA (US)

(72) Inventors: **Wei Chang**, Zhang Jia Gang (CN);  
**Meng Zhang**, Zhang Jia Gang (CN)

(73) Assignee: **Airgain, Inc.**, San Diego, CA (US)

(\*\*) Term: **15 Years**

(21) Appl. No.: **29/757,592**

(22) Filed: **Nov. 6, 2020**

(56) **References Cited**

U.S. PATENT DOCUMENTS

D689,474 S *	9/2013	Yang .....	D14/230
D703,196 S *	4/2014	Zheng .....	D14/230
D706,751 S *	6/2014	Chang .....	D14/230
D709,053 S *	7/2014	Chang .....	D14/230
D716,775 S *	11/2014	Bidermann .....	D14/230
D869,448 S *	12/2019	He .....	D14/230
D921,619 S *	6/2021	Shimada .....	D14/230
D949,849 S *	4/2022	Newman .....	D14/349
D1,003,283 S *	10/2023	Moradi .....	D14/230
D1,003,876 S *	11/2023	Ma .....	D14/230
D1,007,485 S *	12/2023	Moradi .....	D14/230
2010/0220014 A1 *	9/2010	Chang .....	H01Q 1/38 343/700 MS

\* cited by examiner

*Primary Examiner* — Michael C Stout

*Assistant Examiner* — Benjamin M Weeks

(74) *Attorney, Agent, or Firm* — Clause Eight; Michael Catania

(57) **CLAIM**

The ornamental design for an antenna, as shown and described.

**DESCRIPTION**

FIG. 1 is a top perspective view of an antenna;  
FIG. 2 is a front elevation view thereof;  
FIG. 3 is a bottom plan view thereof; and,  
FIG. 4 is a side elevation view thereof.

**1 Claim, 2 Drawing Sheets**

**Related U.S. Application Data**

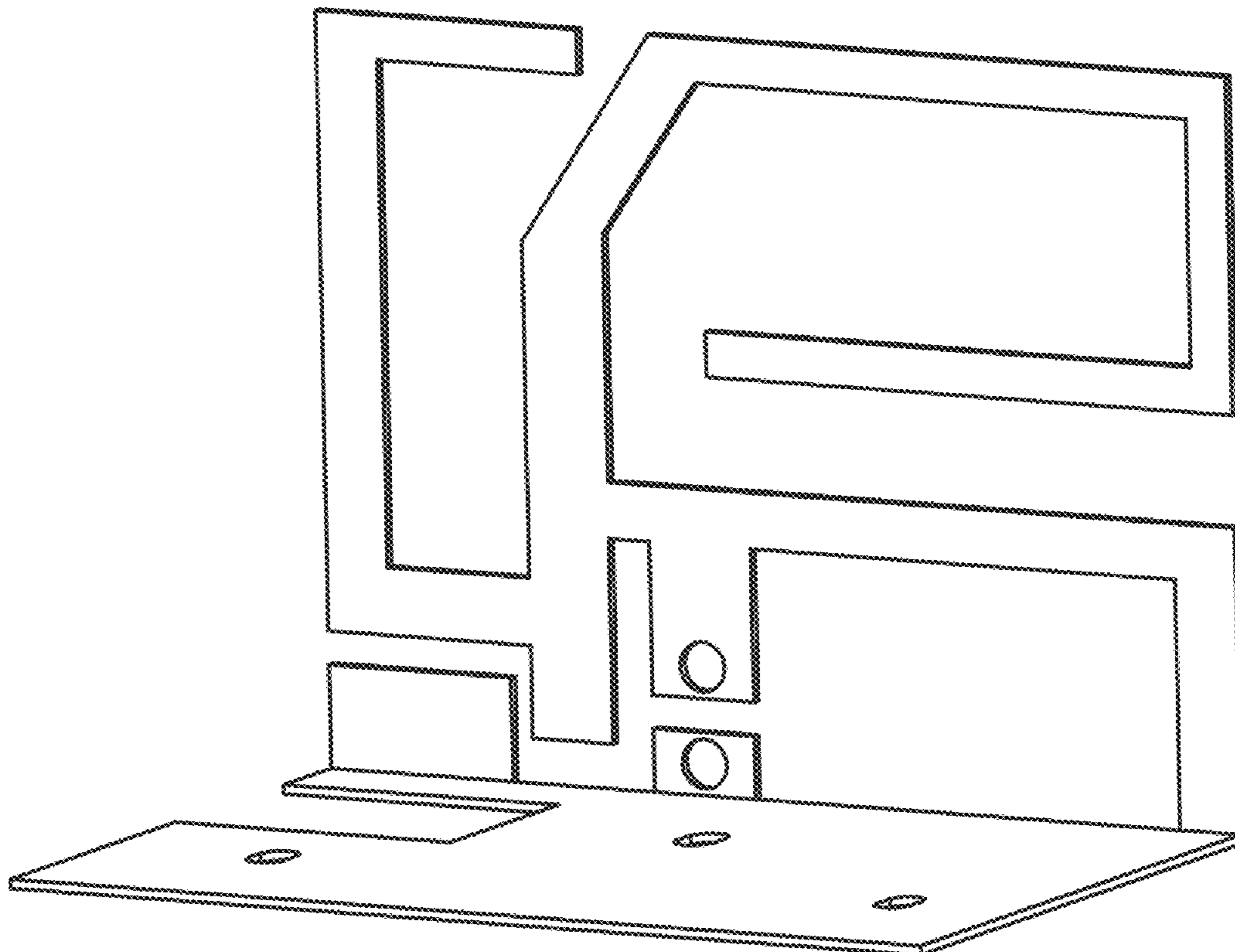
(62) Division of application No. 29/621,489, filed on Oct. 9, 2017, now Pat. No. Des. 902,893, which is a division of application No. 29/570,571, filed on Jul. 8, 2016, now Pat. No. Des. 799,458.

(51) **LOC (14) Cl.** ..... **14-03**

(52) **U.S. Cl.**  
USPC ..... **D14/230**

(58) **Field of Classification Search**  
USPC ..... D14/124, 137, 138, 230–238.1, 299, 358  
CPC .. G08B 13/2468; G08B 13/2471; H01Q 9/26;  
H01Q 1/40; H01Q 5/00; H01Q 5/10;  
H01Q 5/20

See application file for complete search history.



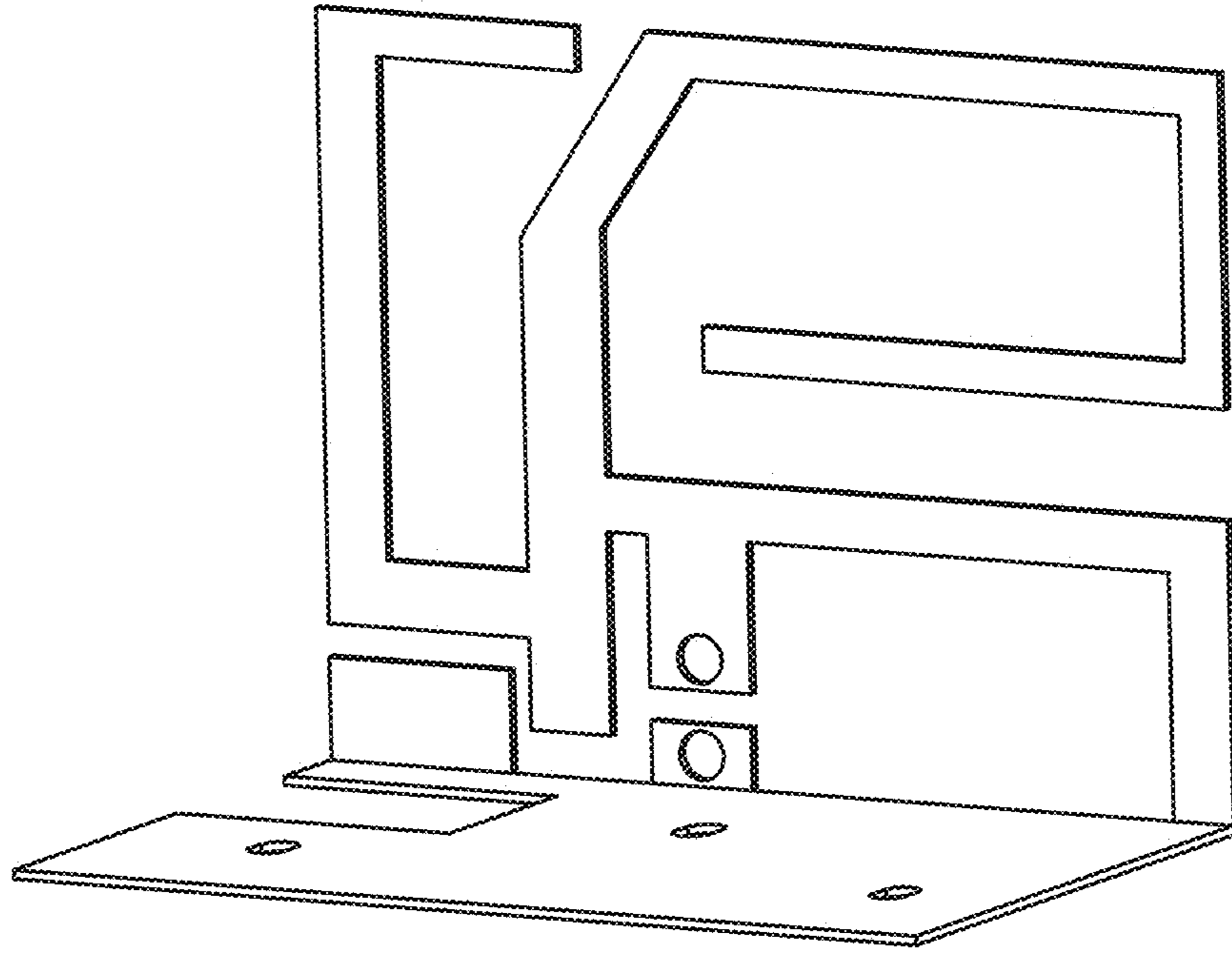


FIG. 1

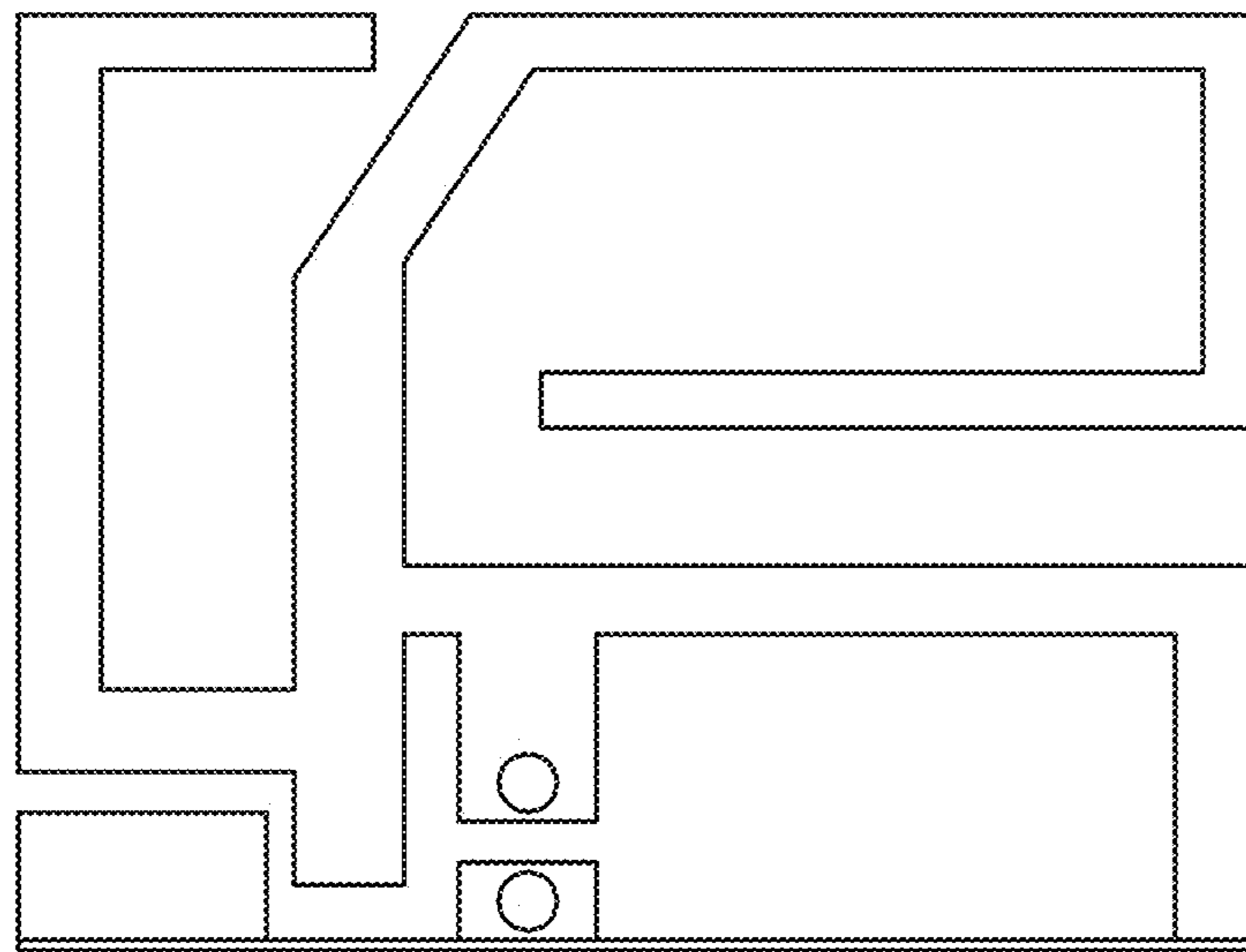


FIG. 2

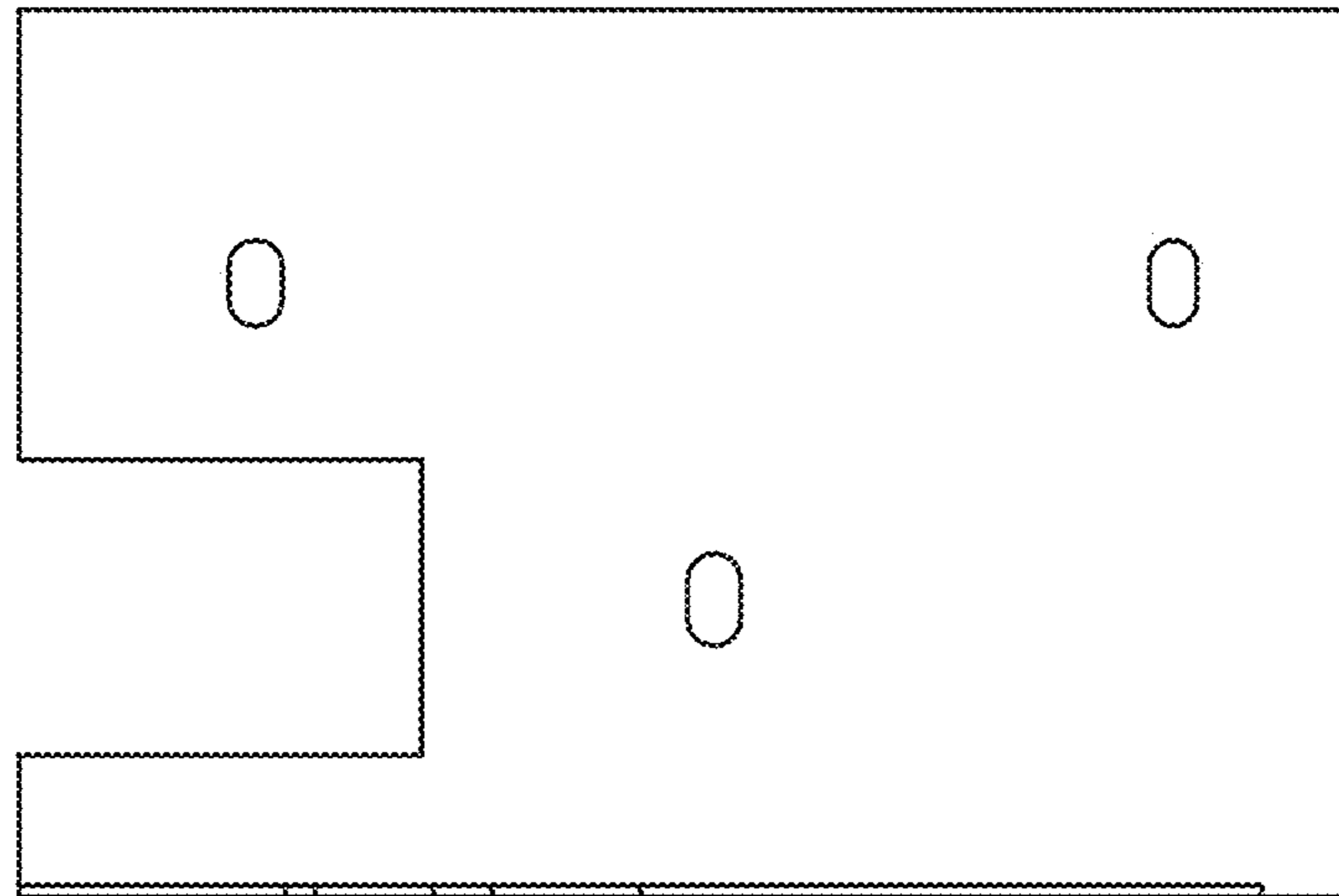


FIG. 3

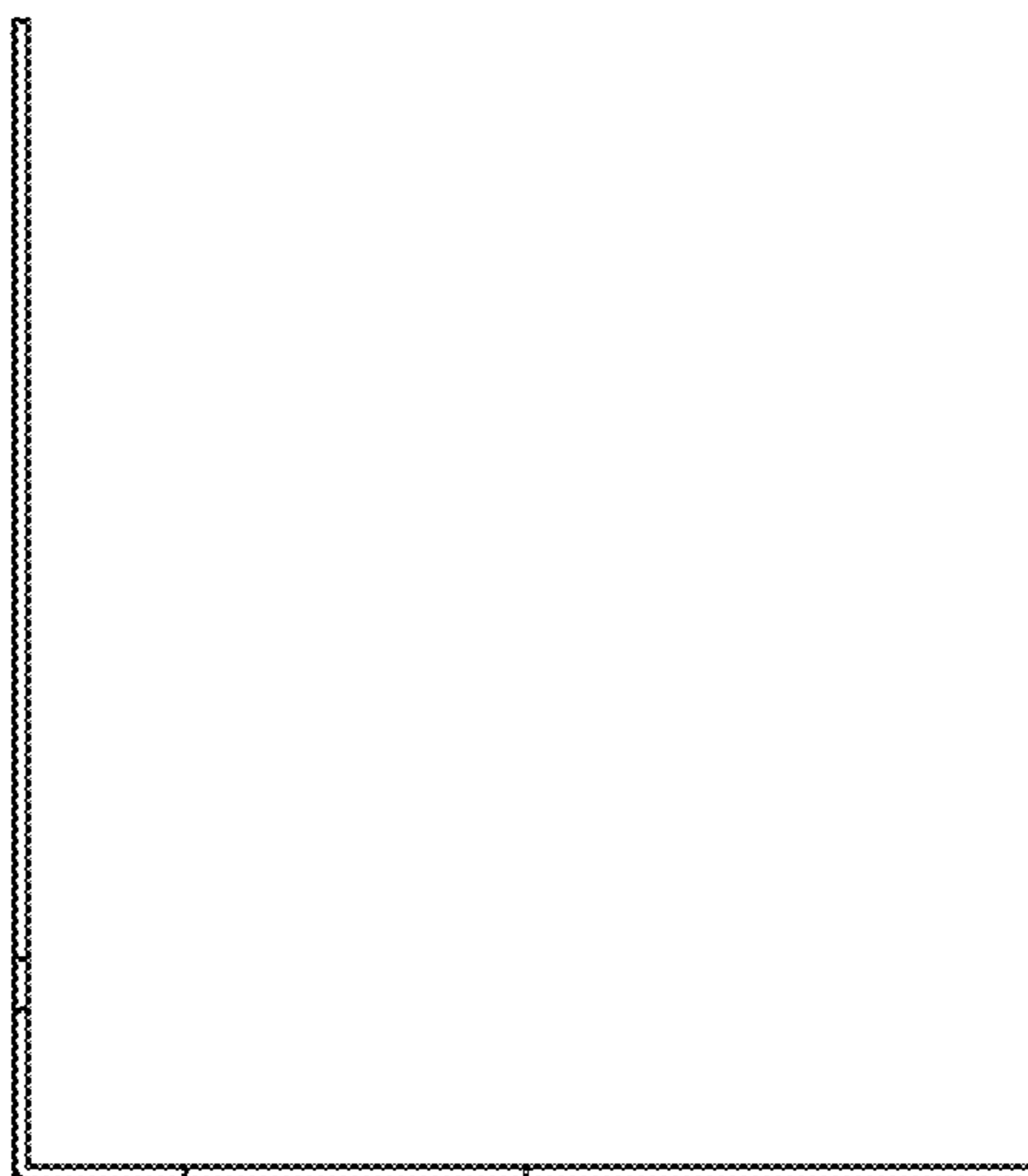


FIG. 4