



US0D1024739S

(12) **United States Design Patent**  
**Heath et al.**

(10) **Patent No.: US D1,024,739 S**

(45) **Date of Patent: \*\* Apr. 30, 2024**

(54) **VERTICAL CHANNEL BASE FOR  
MULTIPLE ATTACHMENTS**

(71) Applicant: **Pops Parts Plus, LLC**, San Antonio,  
TX (US)

(72) Inventors: **Garrett Heath**, San Antonio, TX (US);  
**Jared Putman**, Roswell, NM (US)

(73) Assignee: **Pops Parts Plus, LLC**, San Antonio,  
TX (US)

(\*\*) Term: **15 Years**

(21) Appl. No.: **29/866,121**

(22) Filed: **Aug. 29, 2022**

(51) **LOC (14) Cl.** ..... **08-05**

(52) **U.S. Cl.**  
USPC ..... **D8/354**

(58) **Field of Classification Search**  
USPC ..... D8/349, 354, 380, 381, 373  
CPC ..... A47B 57/42; Y10T 29/49893; Y10T  
29/49906  
See application file for complete search history.

(56) **References Cited**

**U.S. PATENT DOCUMENTS**

3,604,669 A	9/1971	Asher	
3,697,034 A *	10/1972	Shell	A47B 57/42 248/222.13
D271,655 S	12/1983	Numbers	
D274,037 S *	5/1984	Crim	D8/373
4,678,151 A *	7/1987	Radek	A47F 5/0846 248/223.41
5,509,541 A *	4/1996	Merl	A47B 57/42 211/208
D445,019 S *	7/2001	Vitetta	D8/349
6,644,609 B1	11/2003	Scott	
D494,842 S *	8/2004	Perkins	D8/354

D549,563 S *	8/2007	Browne	D8/373
D550,540 S *	9/2007	Nawrocki	D8/354
D716,135 S *	10/2014	Morano	D8/372
D832,083 S *	10/2018	Larsen	D8/354
D920,435 S *	5/2021	White	D20/43

(Continued)

**OTHER PUBLICATIONS**

Infinity Short Plate Storage Post Pair, retrieved from the Internet,  
retrieved on Aug. 29, 2022; <URL:https://www.rogueapo.com/  
infinity-short-plate-storage-posts>.

*Primary Examiner* — Keli L Hill

*Assistant Examiner* — Harold E Blackwell, II

(57) **CLAIM**

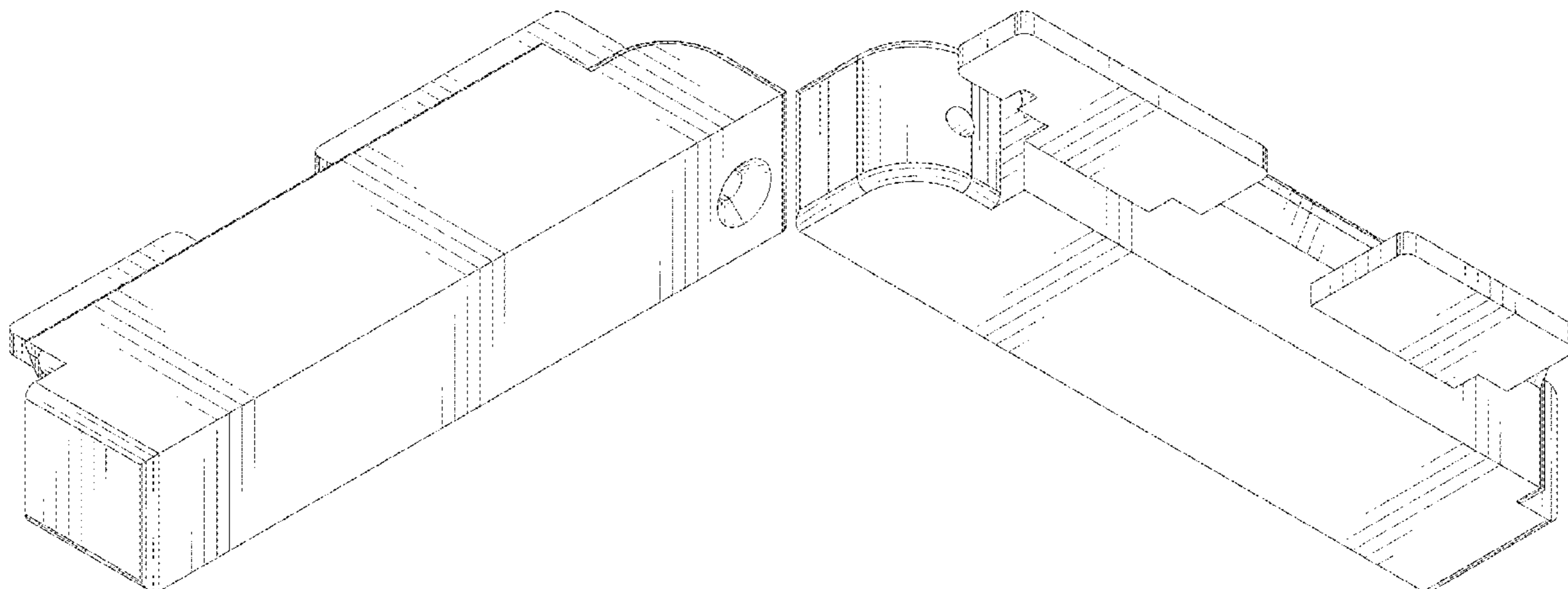
The ornamental design for a vertical channel base for  
multiple attachments, as shown and described.

**DESCRIPTION**

FIG. 1 is a top-front perspective view of a vertical channel  
base for multiple attachments showing my new design;  
FIG. 2 is a bottom-rear perspective view thereof;  
FIG. 3 is a left elevational view thereof;  
FIG. 4 is a right elevational view thereof;  
FIG. 5 is a top plan view thereof;  
FIG. 6 is a bottom plan view thereof;  
FIG. 7 is an enlarged front elevational view thereof;  
FIG. 8 is an enlarged rear elevational view thereof;  
FIG. 9 is a reduced top-front perspective view thereof  
showing a first exemplary attachment attached to the vertical  
channel base; and,  
FIG. 10 is a reduced top-front perspective view thereof  
showing a second exemplary attachment attached to the  
vertical channel base.

The broken line showing exemplary attachments in FIGS. 9  
and 10 is included for the purpose of illustrating environ-  
mental structure and forms no part of the claimed design.

**1 Claim, 10 Drawing Sheets**



(56)

**References Cited**

U.S. PATENT DOCUMENTS

D987,308 S \* 5/2023 Dains ..... D8/367  
2010/0264102 A1 \* 10/2010 Barkdoll ..... A47F 5/0823  
211/106.01

\* cited by examiner

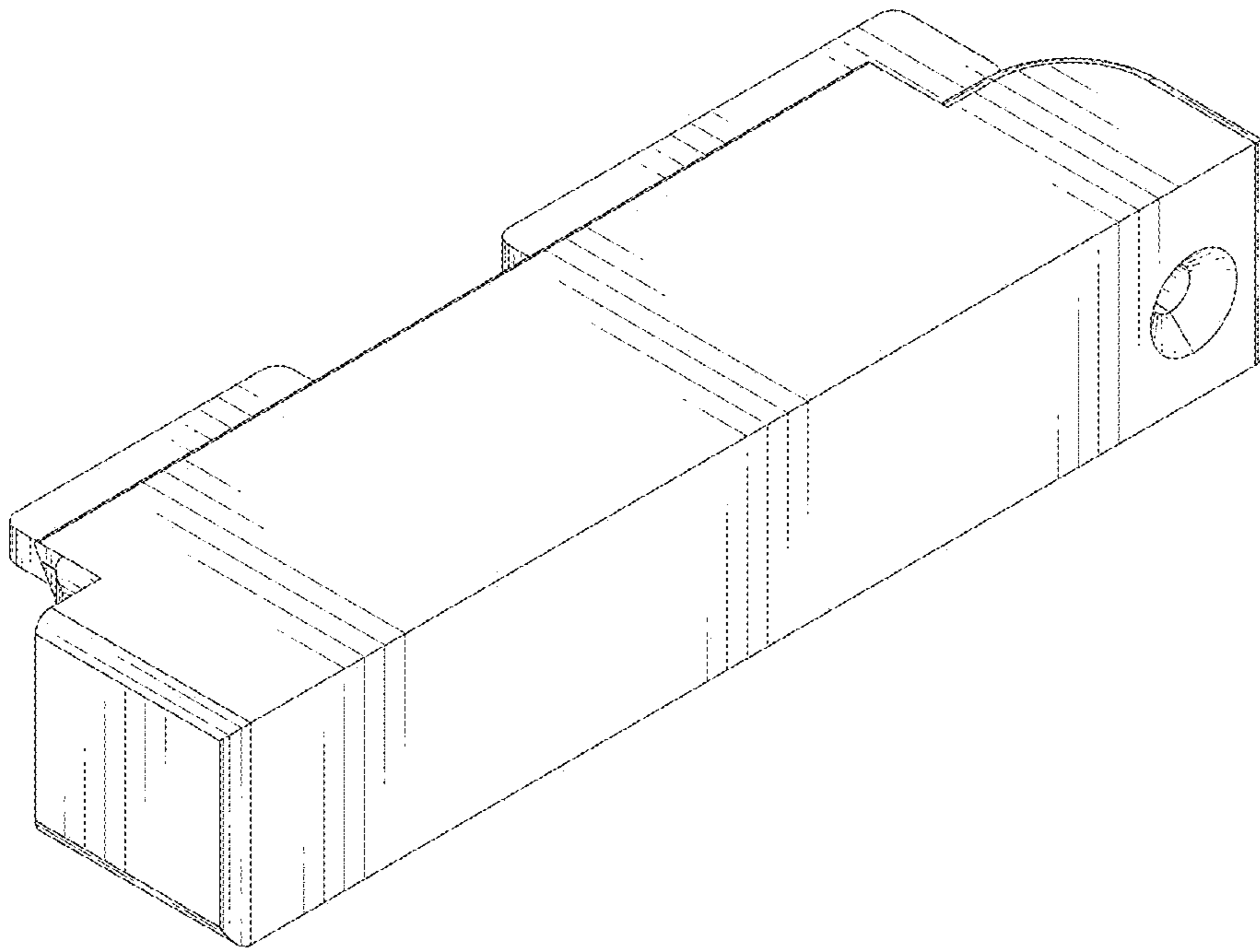


FIG. 1

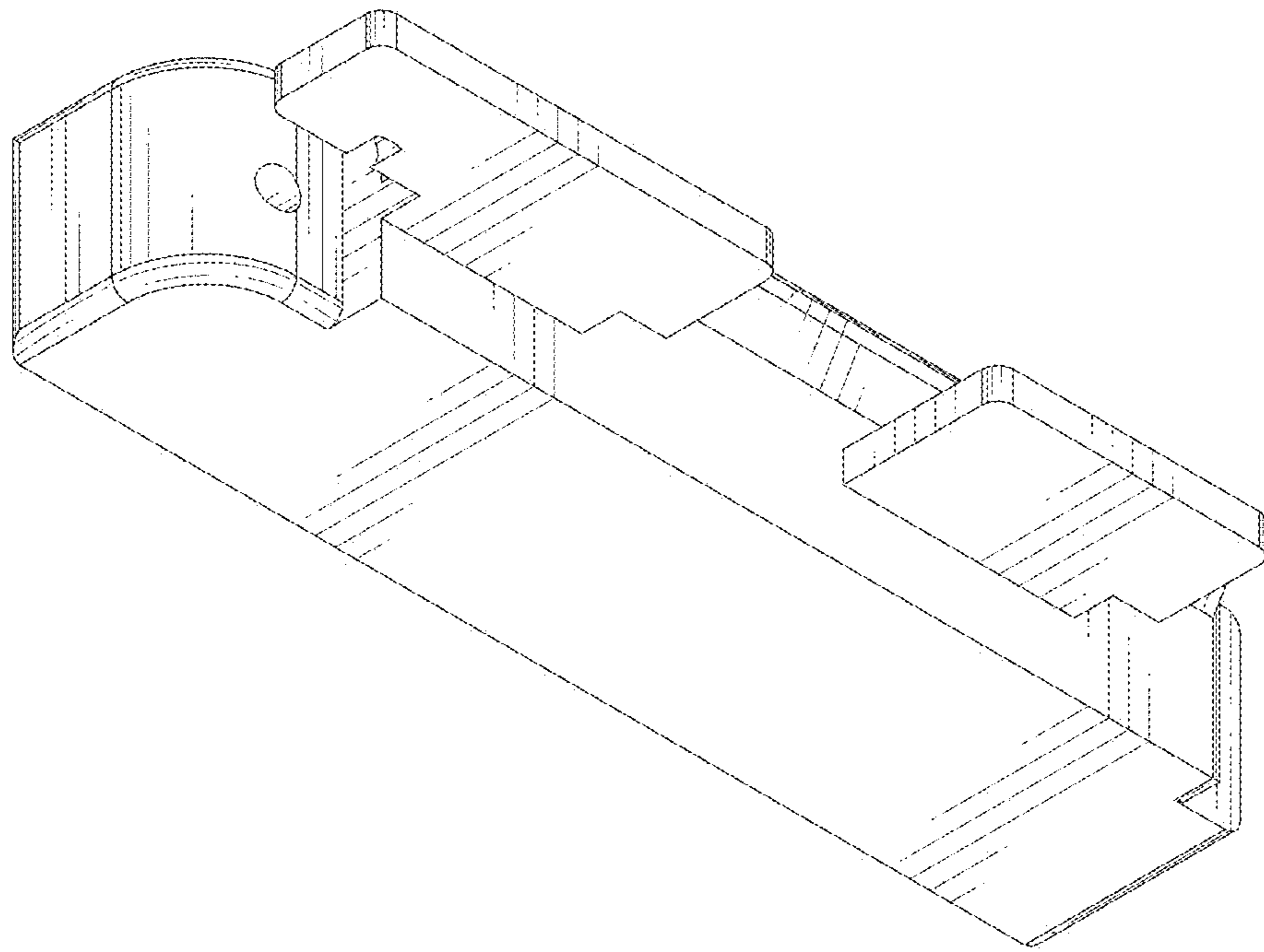


FIG. 2

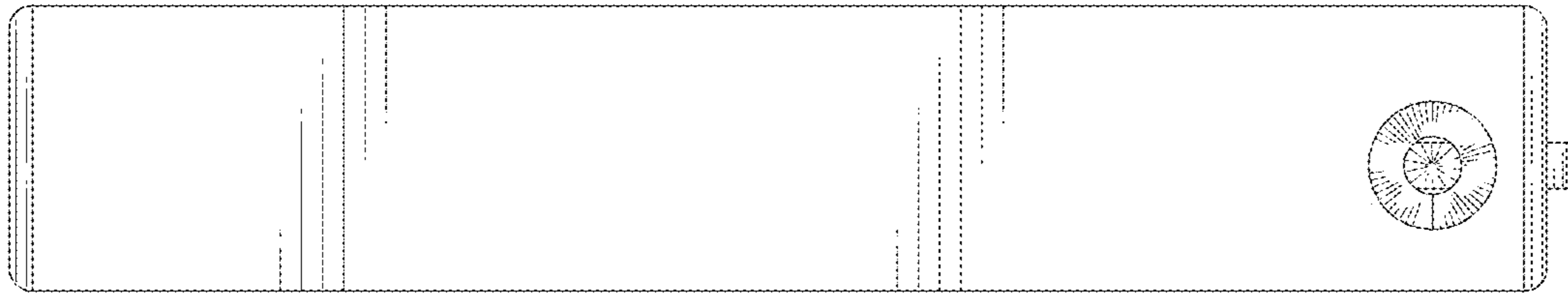


FIG. 3

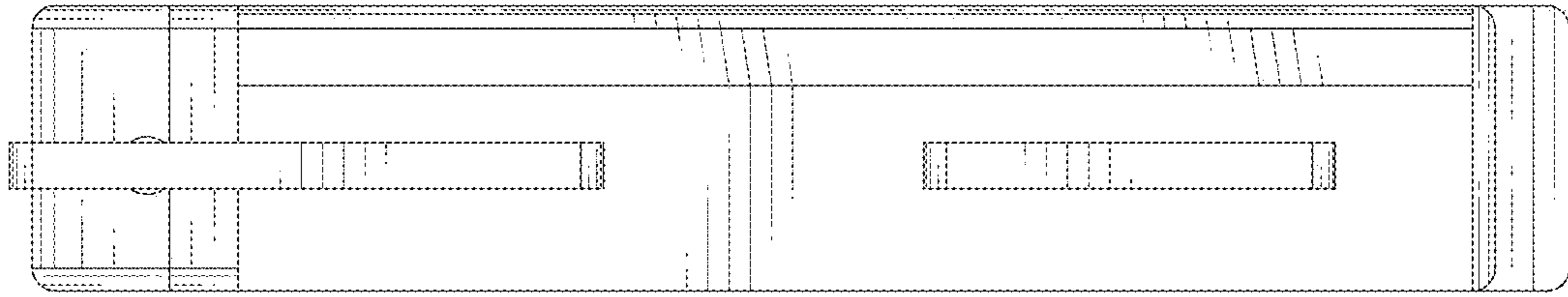


FIG. 4

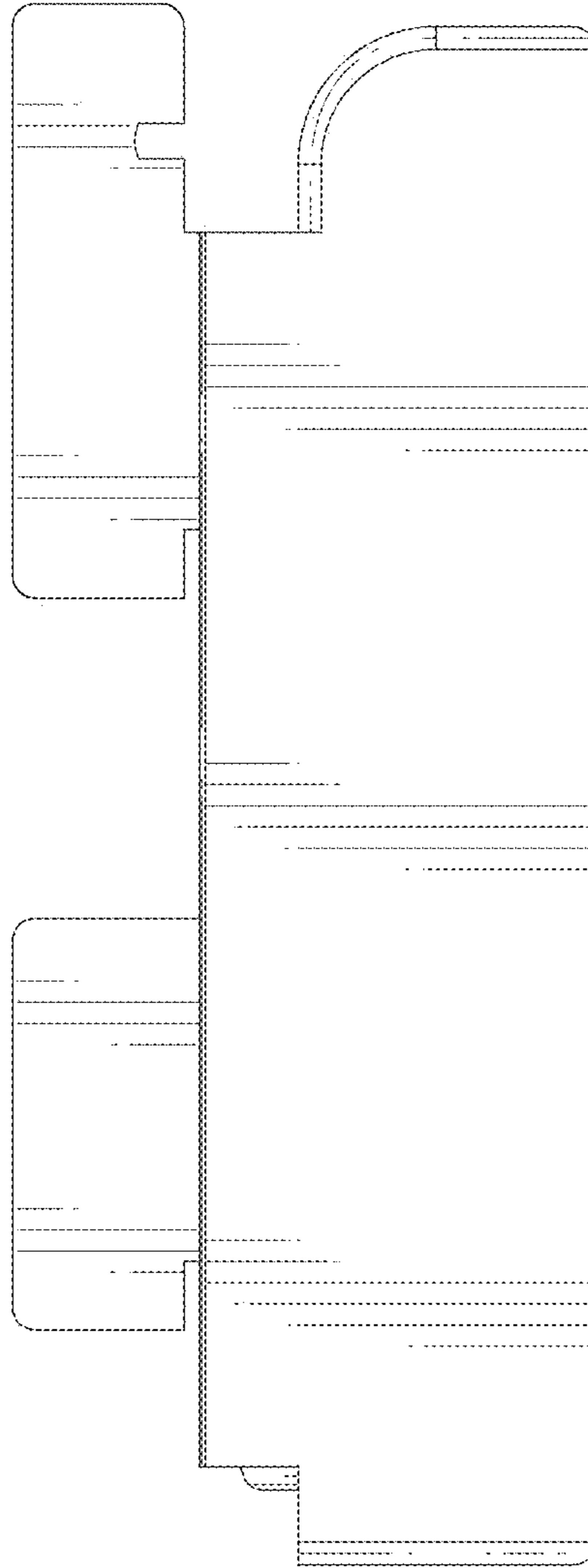


FIG. 5

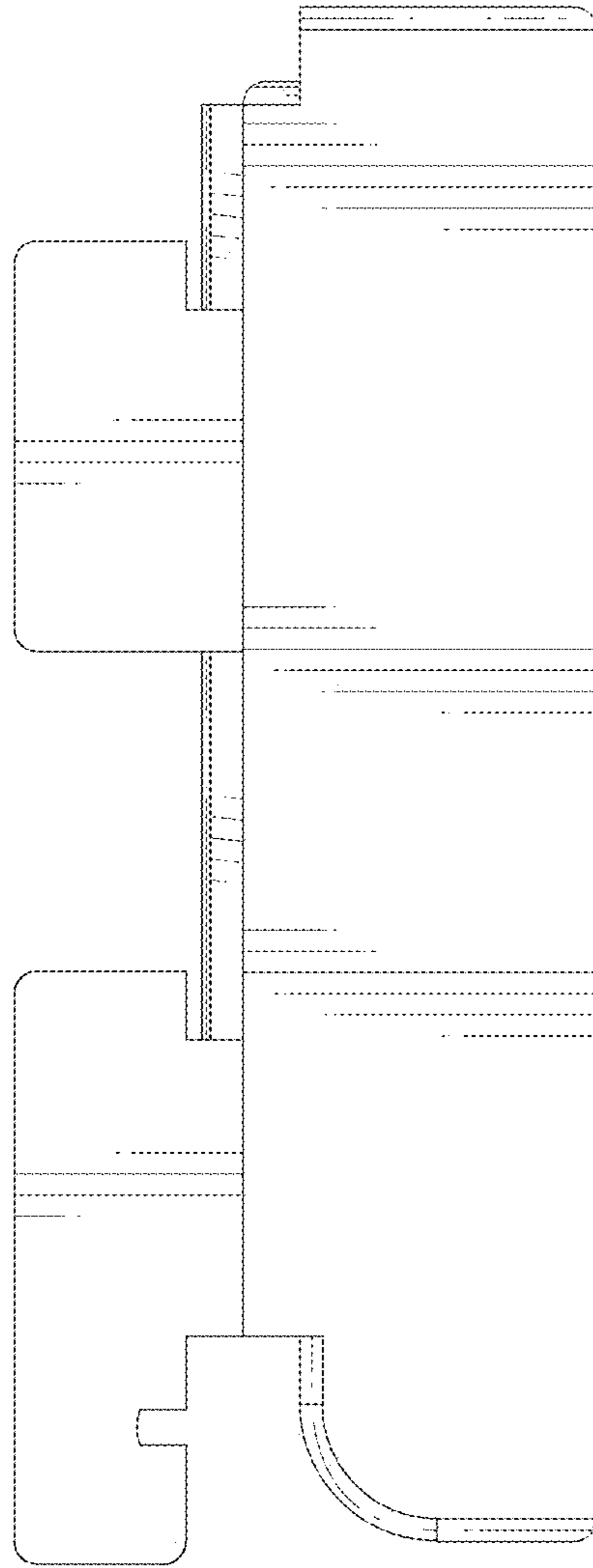


FIG. 6



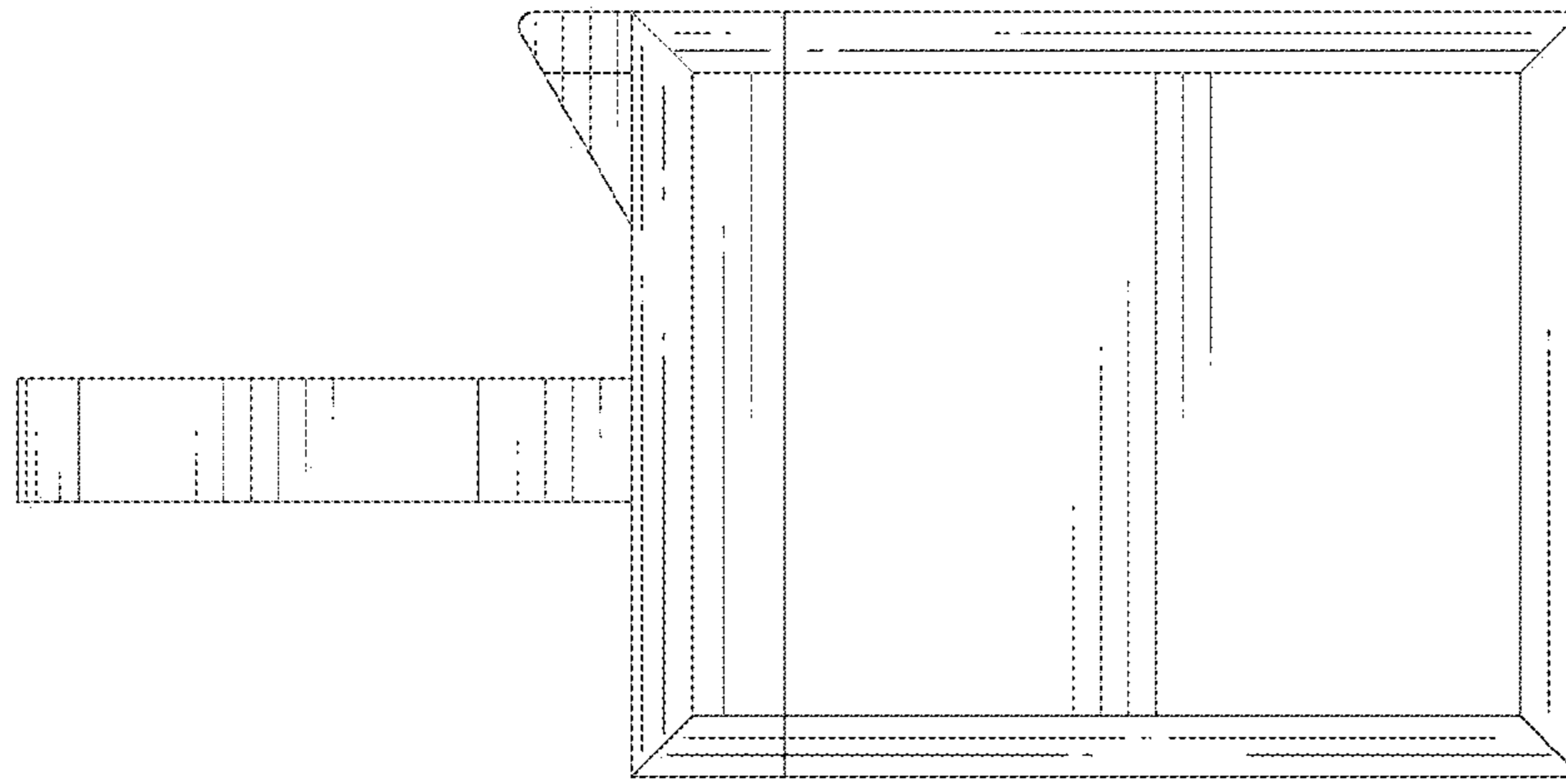


FIG. 7

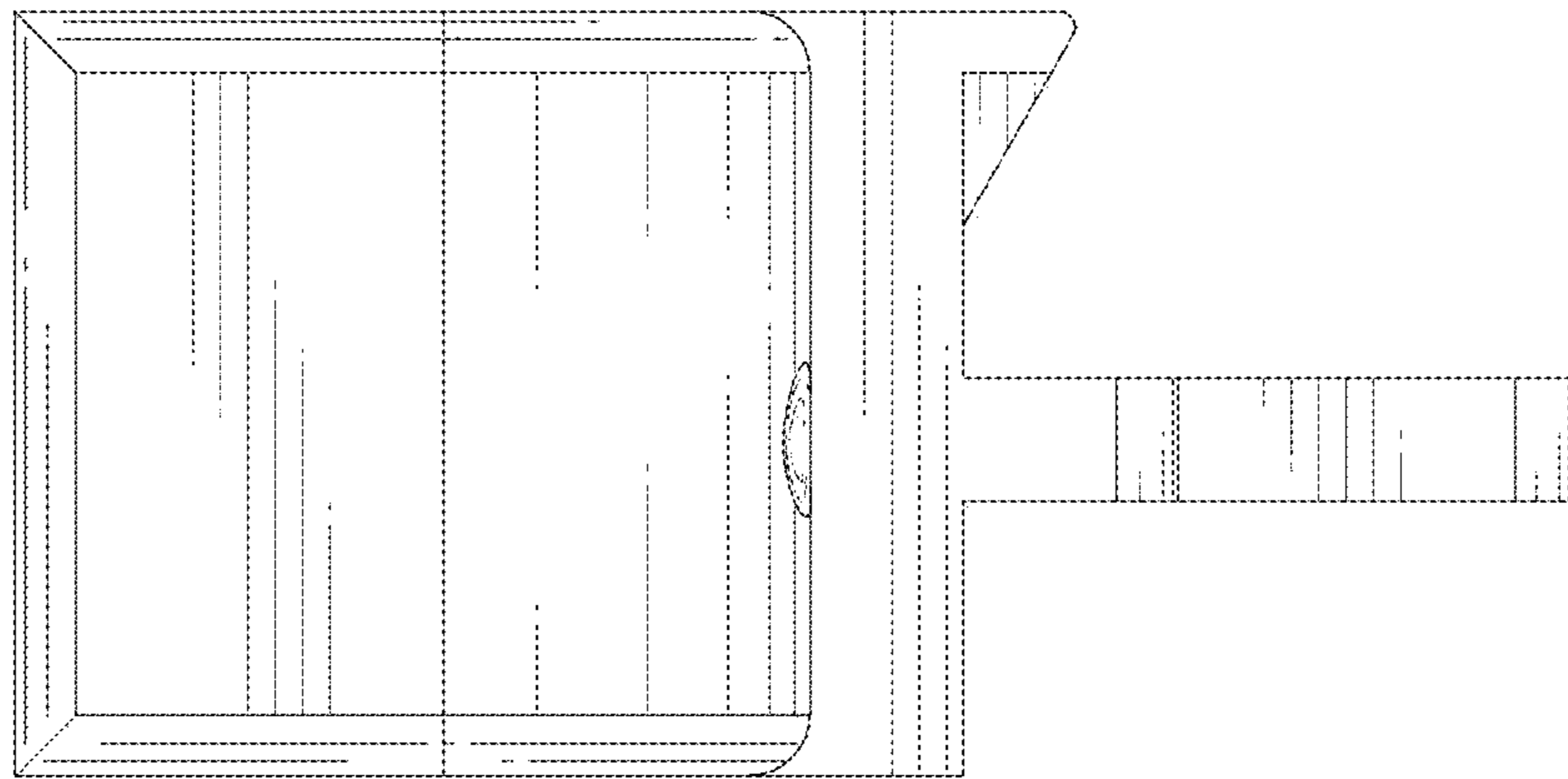


FIG. 8

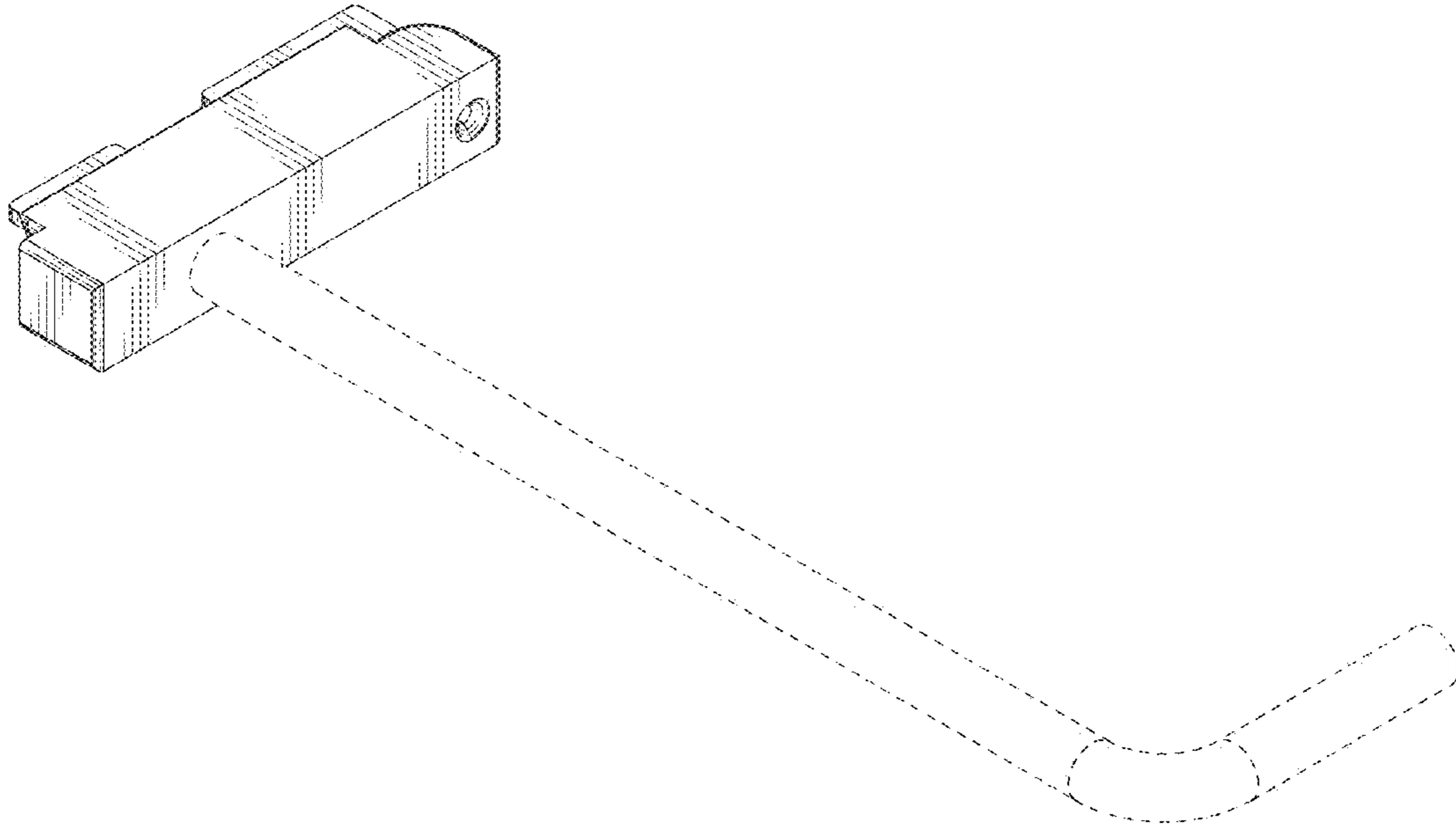


FIG. 9

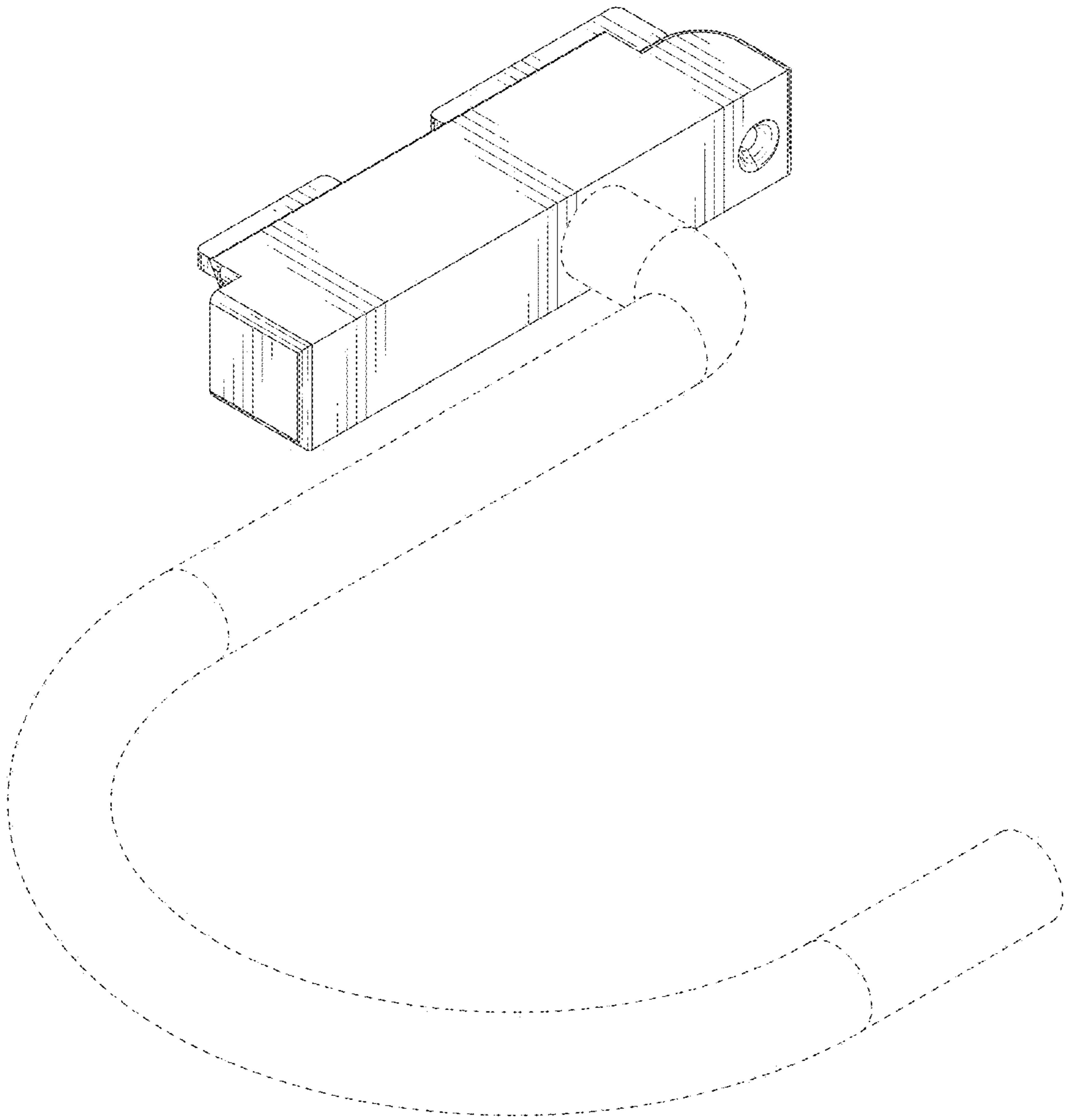


FIG. 10