



US0D1024703S

(12) **United States Design Patent**
Kovacs, III et al.

(10) **Patent No.: US D1,024,703 S**

(45) **Date of Patent: ** Apr. 30, 2024**

(54) **BAND**

(71) Applicant: **Target Brands, Inc.**, Minneapolis, MN (US)

(72) Inventors: **Frank J. Kovacs, III**, Edina, MN (US);
Yousin B. Smith, Minneapolis, MN (US)

(73) Assignee: **Target Brands, Inc.**, Minneapolis, MN (US)

(**) Term: **15 Years**

(21) Appl. No.: **29/794,362**

(22) Filed: **Jun. 11, 2021**

(51) **LOC (14) Cl.** **08-03**

(52) **U.S. Cl.**
USPC **D8/7**

(58) **Field of Classification Search**
USPC D11/1-5; D8/7
CPC A44C 5/0053
See application file for complete search history.

(56) **References Cited**

U.S. PATENT DOCUMENTS

D102,023 S *	11/1936	Adams	D8/305
D152,729 S *	2/1949	Philippe	D11/15
3,829,902 A *	8/1974	Fisher	A41F 9/002
				428/17
D402,092 S *	12/1998	Gill	D2/894
D517,775 S *	3/2006	Cook	D2/627
D679,623 S *	4/2013	Maier	D11/3
D739,780 S *	9/2015	Akana	D11/3
D750,525 S	3/2016	Akana et al.		
D753,008 S	4/2016	Akana et al.		

(Continued)

FOREIGN PATENT DOCUMENTS

CN 304571285 * 4/2018

OTHER PUBLICATIONS

Apple Watch Silicone Band ³⁸/₄₀ MM—Vivid Blue—All in Motion™ target pp. 1-8 2021 <https://www.target.com/p/apple-watch-silicone-band-38-40-mm-vivid-blue-all-in-motion-8482/-/A-82800906?> (Year: 2021).*

(Continued)

Primary Examiner — Kevin K Rudzinski

Assistant Examiner — Evans David Delesline

(74) *Attorney, Agent, or Firm* — Leanne Taveggia Farrell; Westman, Champlin & Koehler, P.A.

(57) **CLAIM**

The ornamental design for a band, as shown and described.

DESCRIPTION

FIG. 1 is a top perspective view of a first embodiment of a band showing our new design;

FIG. 2 is a bottom perspective view thereof;

FIG. 3 is a bottom view thereof;

FIG. 4 is a top view thereof;

FIG. 5 is a right side view thereof, the left side view being a mirror image;

FIG. 6 is a first end view thereof;

FIG. 7 is an opposing second end view thereof;

FIG. 8 is a perspective view thereof in a configuration in which the band may be used;

FIG. 9 is a top perspective view of a second embodiment thereof;

FIG. 10 is a bottom perspective view of FIG. 9;

FIG. 11 is a bottom view of FIG. 9;

FIG. 12 is a top view of FIG. 9;

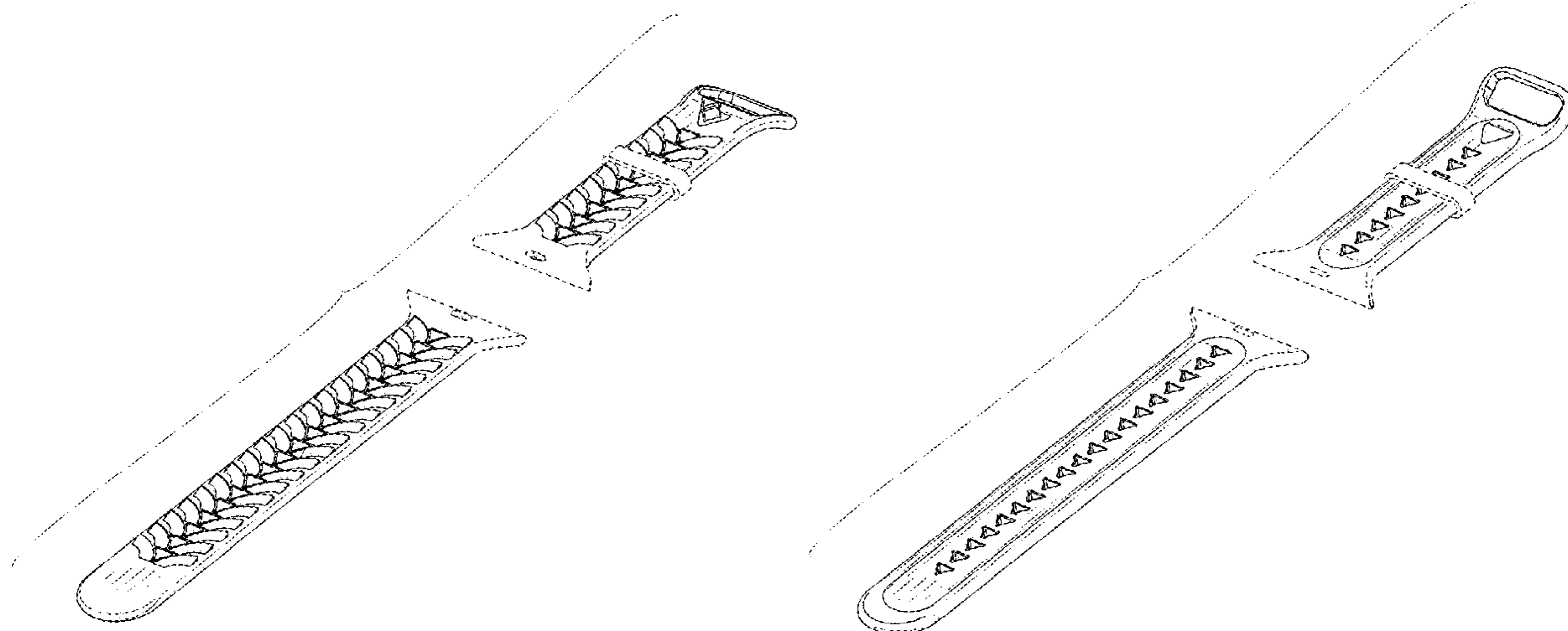
FIG. 13 is a right side view of FIG. 9;

FIG. 14 is a first end view of FIG. 9; and,

FIG. 15 is a second end view of FIG. 9.

The broken lines are included for purposes of illustrating portions of the band and form no part of the claimed design.

1 Claim, 11 Drawing Sheets



(56)

References Cited

U.S. PATENT DOCUMENTS

D755,662 S 5/2016 Akana et al.
 D764,341 S * 8/2016 Akana D11/3
 D764,967 S 8/2016 Akana et al.
 D779,993 S 2/2017 Akana et al.
 D781,853 S * 3/2017 Akana D14/344
 D813,076 S * 3/2018 Akana D11/5
 D821,246 S 6/2018 Akana et al.
 D822,529 S * 7/2018 Akana D11/13
 D830,887 S 10/2018 Akana et al.
 D834,446 S 11/2018 Akana et al.
 D843,880 S 3/2019 Akana et al.
 D851,641 S * 6/2019 Zhang D14/344
 D862,460 S * 10/2019 Zhang D14/344
 D863,094 S * 10/2019 Akana D11/3
 D864,782 S * 10/2019 Lean D11/3
 D882,445 S * 4/2020 Liao D11/3
 D885,958 S * 6/2020 Akana D10/32

D924,717 S * 7/2021 Qin D11/3
 D931,751 S * 9/2021 Akana D11/3
 D954,585 S * 6/2022 Liu D11/3
 D956,609 S * 7/2022 Yang D11/3
 D959,316 S * 8/2022 Yang D11/3
 D966,921 S * 10/2022 Rao D11/3
 D969,000 S * 11/2022 Zhang D11/13
 D971,053 S * 11/2022 Yi D11/12
 D975,573 S * 1/2023 Cao D11/3
 D983,785 S * 4/2023 Akana D10/70
 D984,440 S * 4/2023 Akana D10/70
 D995,343 S * 8/2023 Sun D11/3

OTHER PUBLICATIONS

All In Motion Apple Watch Silicone Band curtsy pp. 1-4 2020
<https://curtsyapp.com/item/apple-watch-silicone-band-all-in-motion-42-44-mm/ABtGZxSETf#seller-reviews> (Year: 2020).*

* cited by examiner

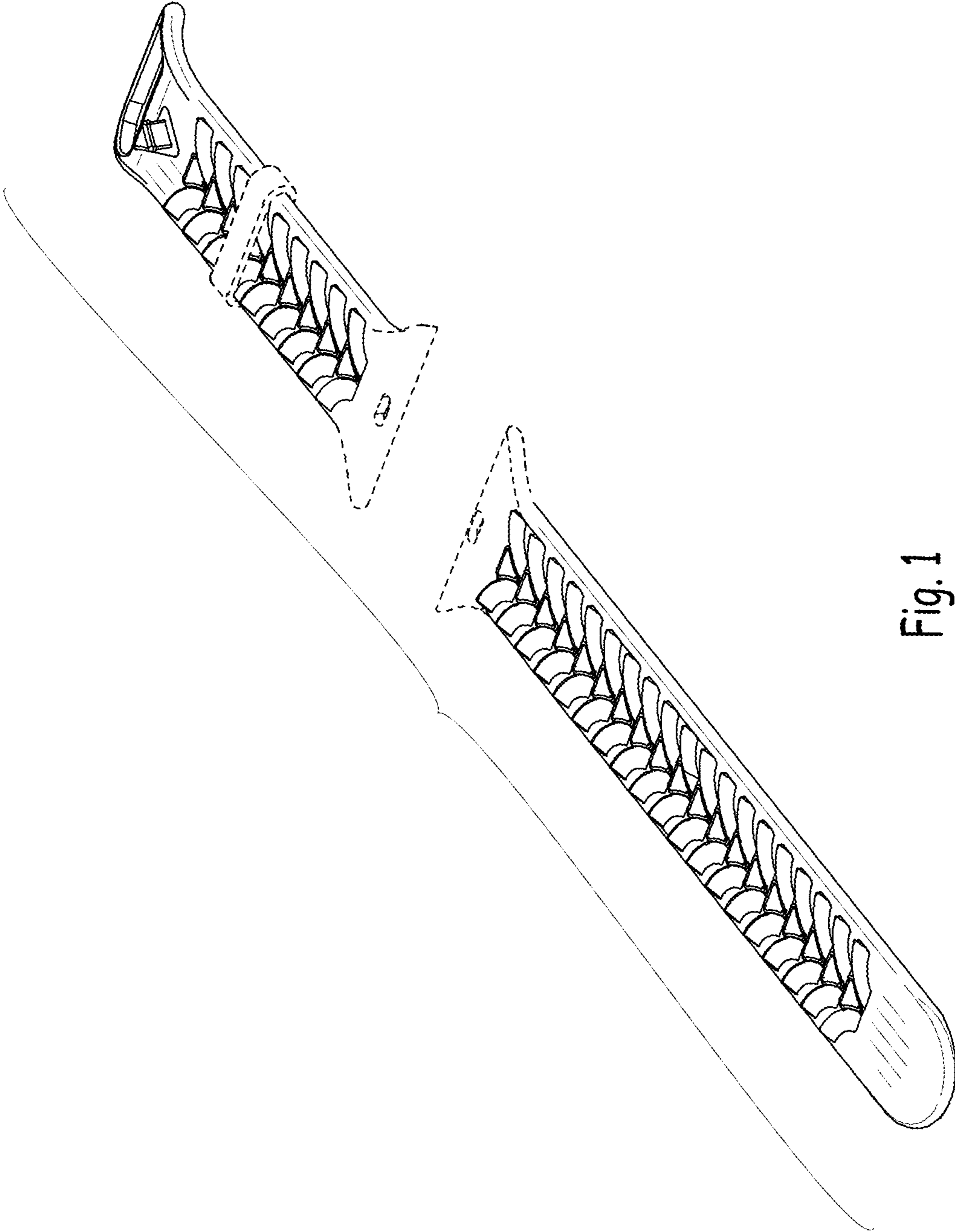


Fig. 1

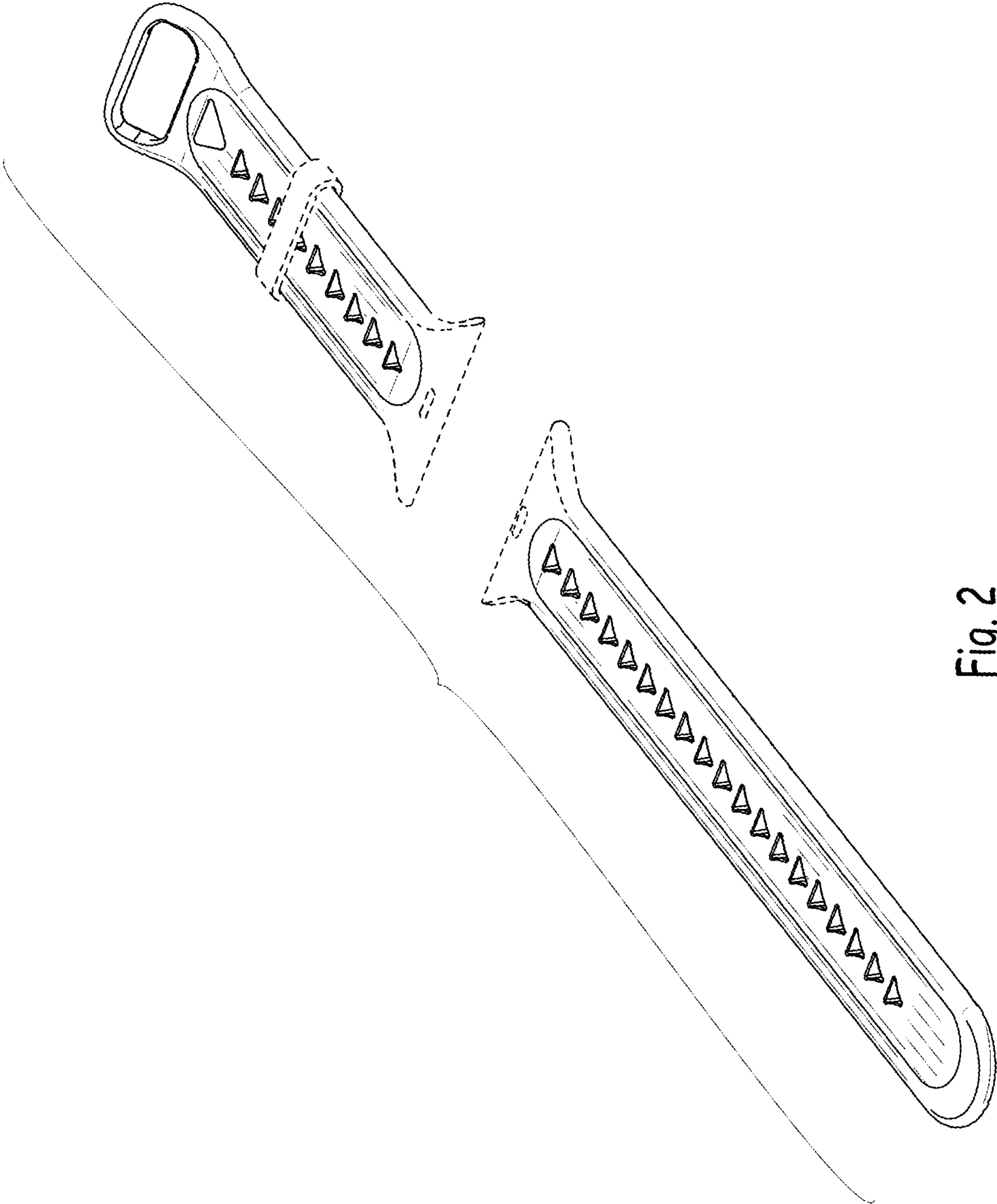


Fig. 2

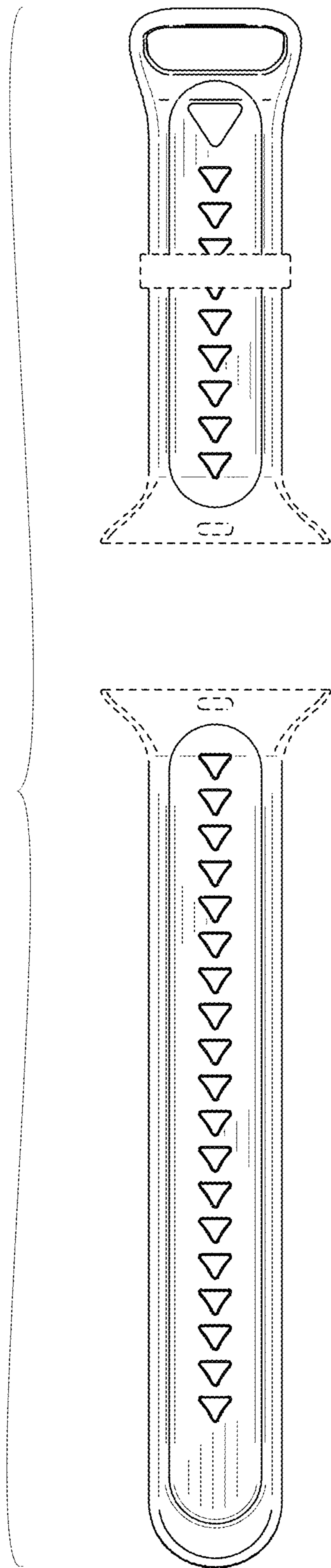


Fig. 3

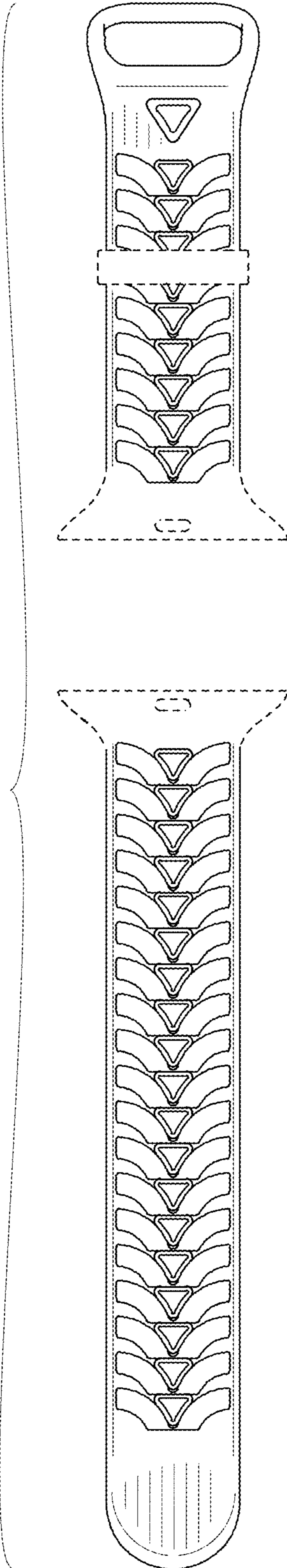


Fig. 4

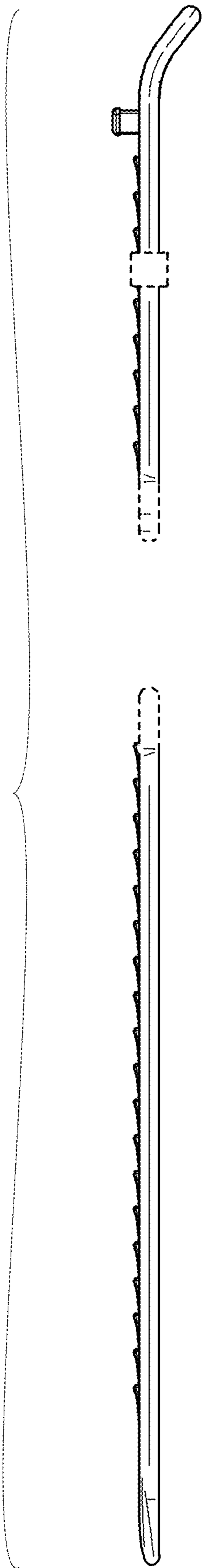


Fig. 5

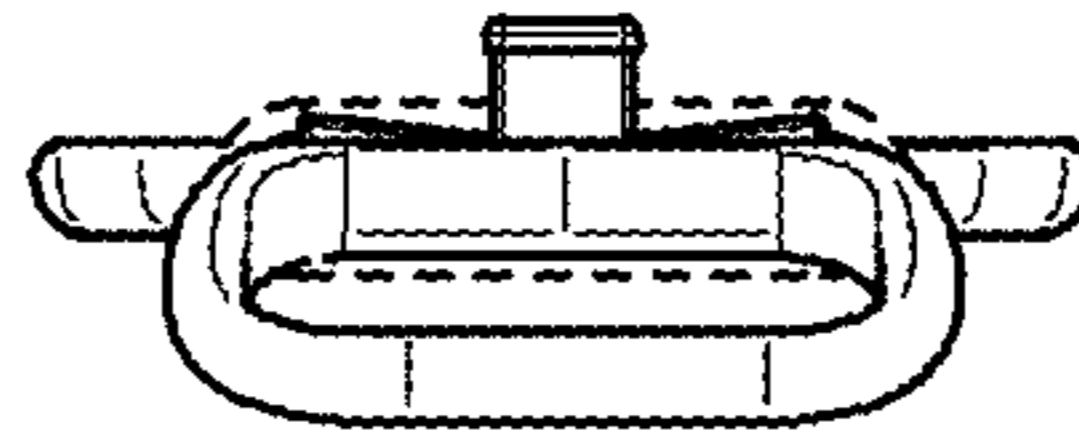


Fig. 6

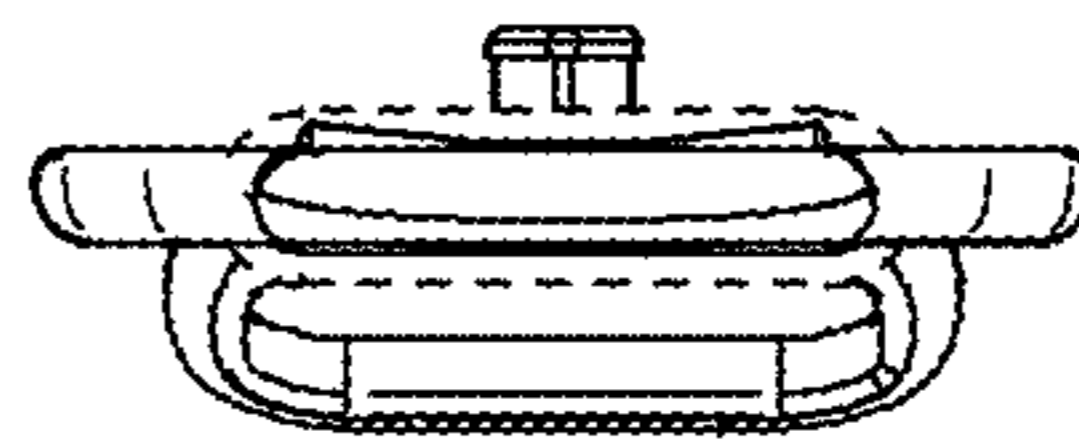


Fig. 7

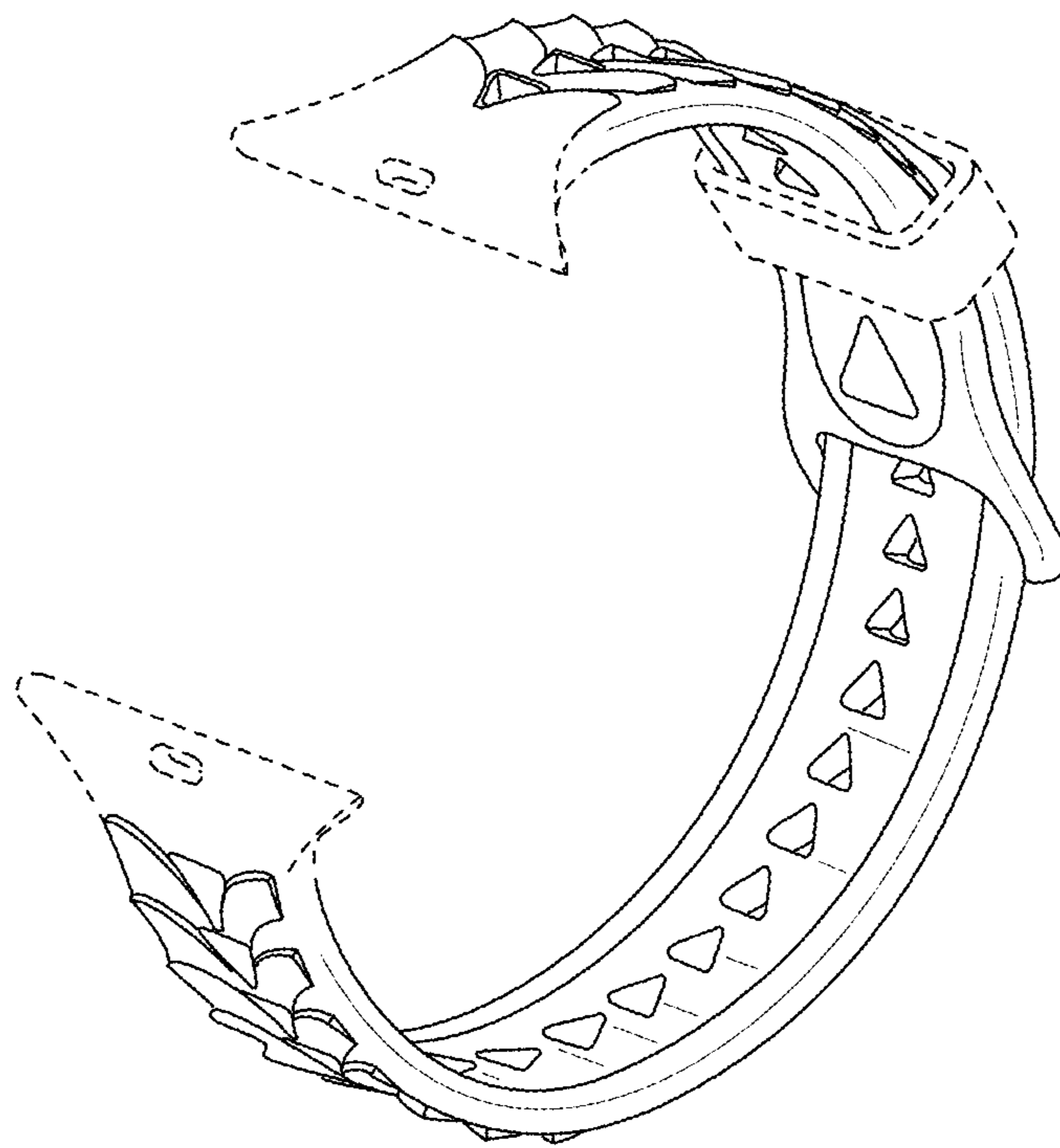


Fig. 8

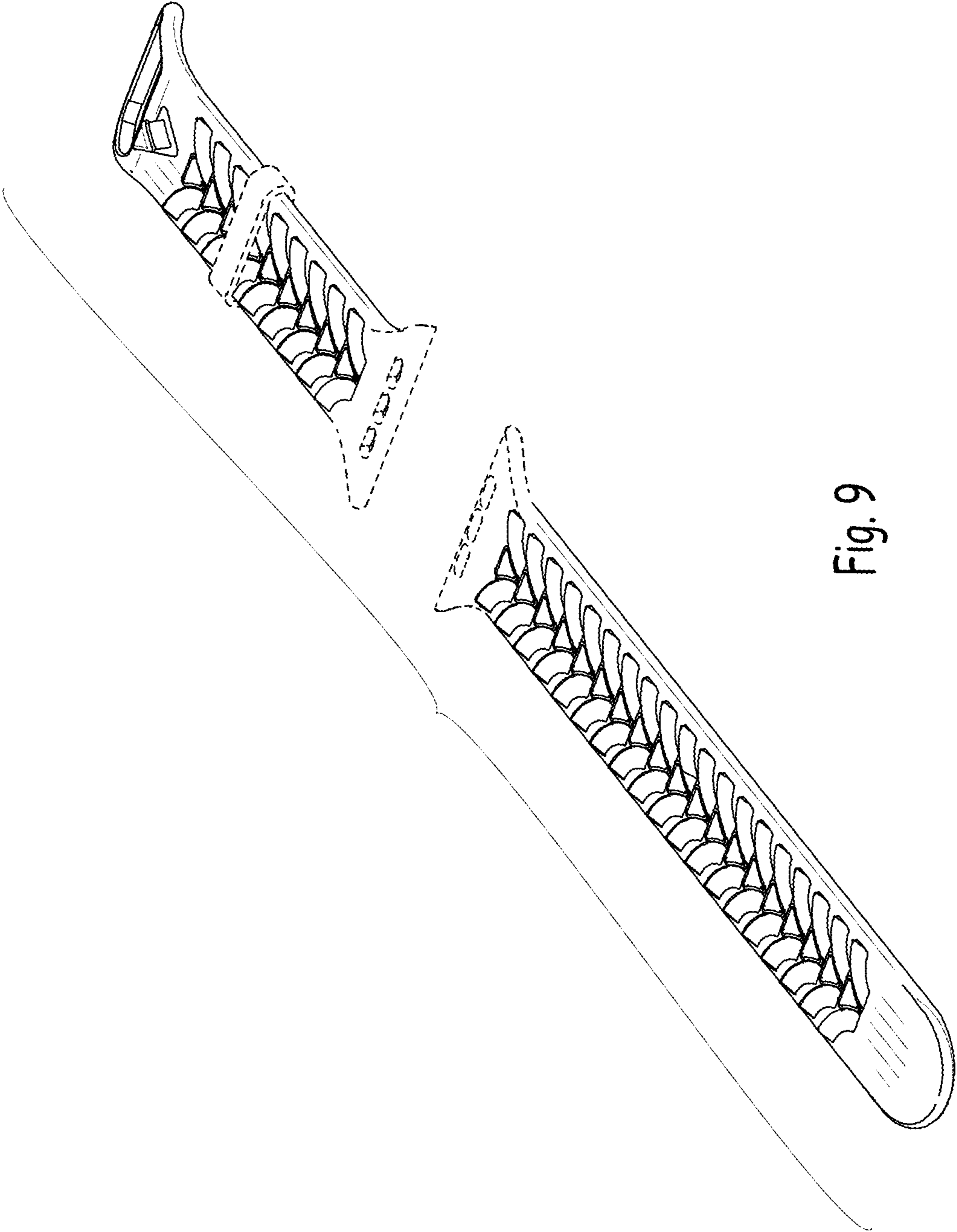


Fig. 9

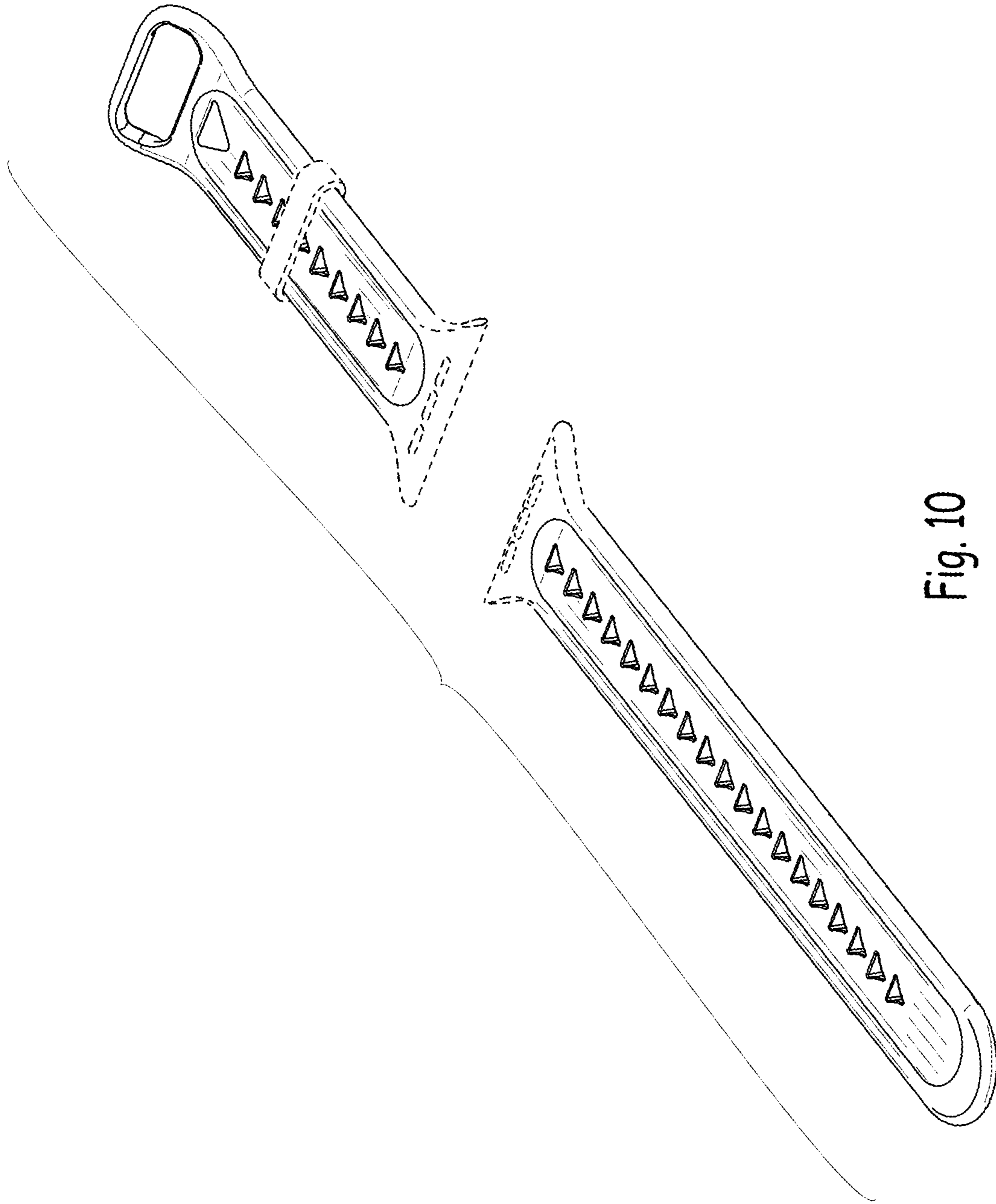


Fig. 10

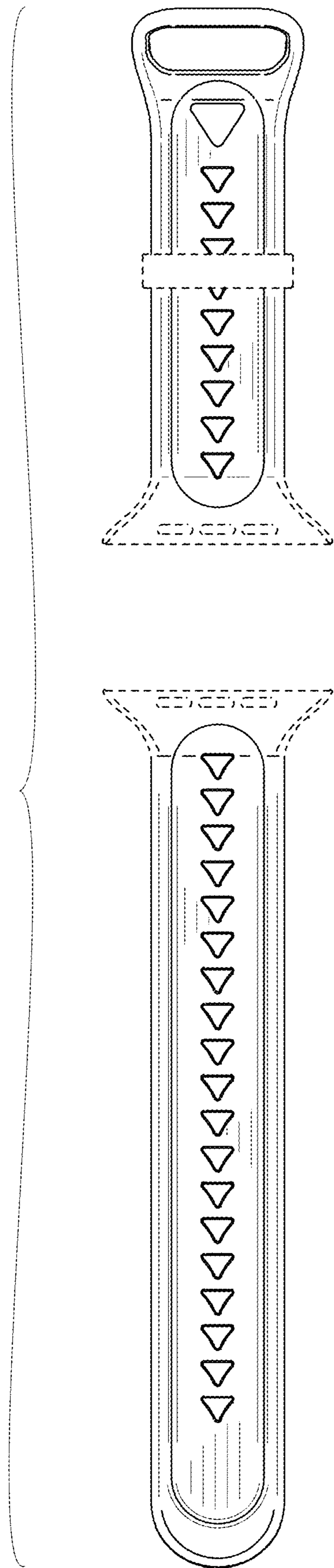


Fig. 11

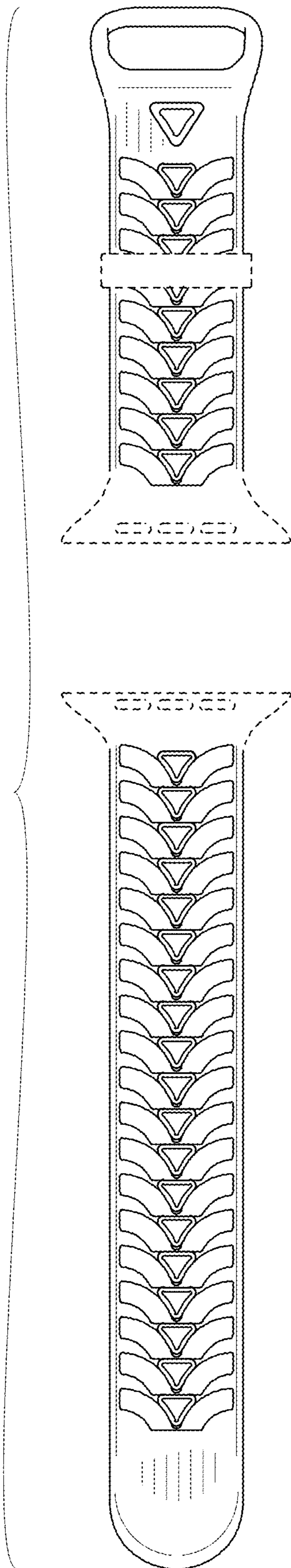


Fig. 12

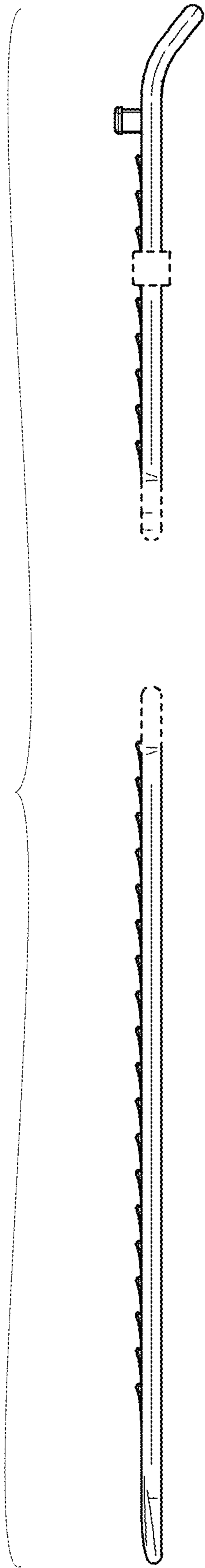


Fig. 13

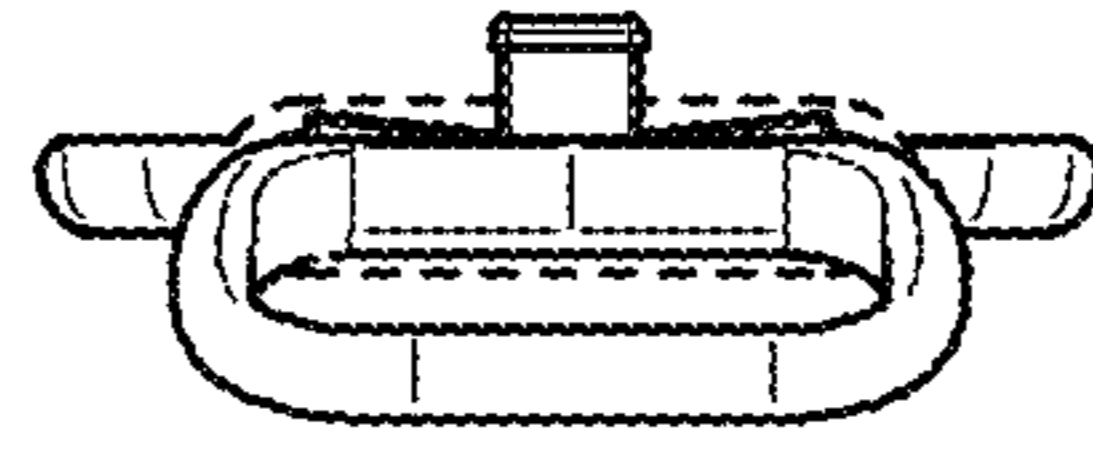


Fig. 14

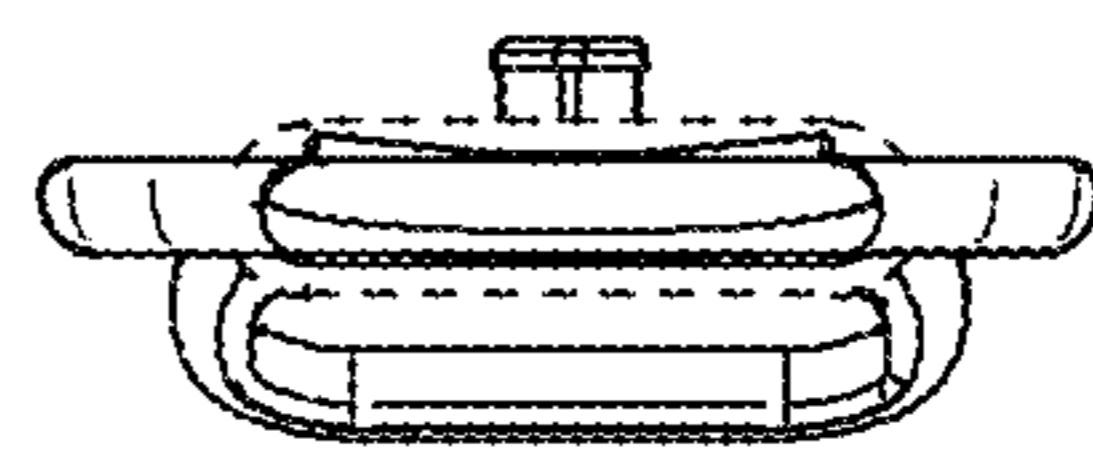


Fig. 15