

US0D1024650S

(12) **United States Design Patent** (10) **Patent No.:** **US D1,024,650 S**  
**Spiegel et al.** (45) **Date of Patent:** **\*\* Apr. 30, 2024**

(54) **FILTER DEVICE**

(71) Applicant: **Aqua Tru, LLC**, Sherman Oaks, CA (US)

(72) Inventors: **Peter Spiegel**, Sherman Oaks, CA (US);  
**Voytek Siwec**, Sherman Oaks, CA (US)

(73) Assignee: **Aqua Tru, LLC**, Sherman Oaks, CA (US)

(\*\*) Term: **15 Years**

(21) Appl. No.: **29/865,850**

(22) Filed: **Aug. 16, 2022**

(51) **LOC (14) Cl.** ..... **07-01**

(52) **U.S. Cl.**  
USPC ..... **D7/311**

(58) **Field of Classification Search**  
USPC ..... D7/300, 302, 306, 307, 308, 309, 310,  
D7/311, 312, 313, 314, 315, 316, 317,  
D7/318, 319, 321, 397, 399, 400, 401  
CPC .. A47G 19/12; A47G 19/14; A47G 2019/122;  
A47G 19/127; A47G 19/2205; A47J  
31/02; A47J 31/057; A47J 31/043; A47J  
31/053; A47J 31/0573; A47J 31/44; A47J  
31/06; A47J 31/56; A47J 27/21; B65D  
25/38

See application file for complete search history.

(56) **References Cited**

**U.S. PATENT DOCUMENTS**

D430,263 S \* 8/2000 Crescenzi ..... D23/209  
D453,656 S \* 2/2002 Byler ..... D7/311  
D674,233 S \* 1/2013 Lavy ..... D7/311

D683,174 S \* 5/2013 Regamey ..... D7/311  
D687,662 S \* 8/2013 Beghelli ..... D7/311  
D707,790 S \* 6/2014 Beghelli ..... D7/311  
D707,791 S \* 6/2014 Beghelli ..... D7/311  
D723,315 S \* 3/2015 Wilder ..... D23/209  
D888,486 S \* 6/2020 Yang ..... D7/311  
10,952,559 B2 \* 3/2021 Ghalambor Dezfuli .....  
A47J 31/005  
D973,413 S \* 12/2022 Altun ..... D7/309  
2020/0156019 A1 \* 5/2020 Sawyer ..... B01F 23/2361  
2022/0322869 A1 \* 10/2022 Lin ..... A47J 31/4457

\* cited by examiner

*Primary Examiner* — Joseph Kukella

*Assistant Examiner* — Darryl J Dardenne

(74) *Attorney, Agent, or Firm* — Eversheds Sutherland (US), LLP

(57) **CLAIM**

The ornamental design for a filter device, as shown and described.

**DESCRIPTION**

FIG. 1 is a perspective front view of a filter according to the disclosure;

FIG. 2 is a perspective rear view thereof;

FIG. 3 is a front view thereof;

FIG. 4 is a rear view thereof;

FIG. 5 is a right view thereof;

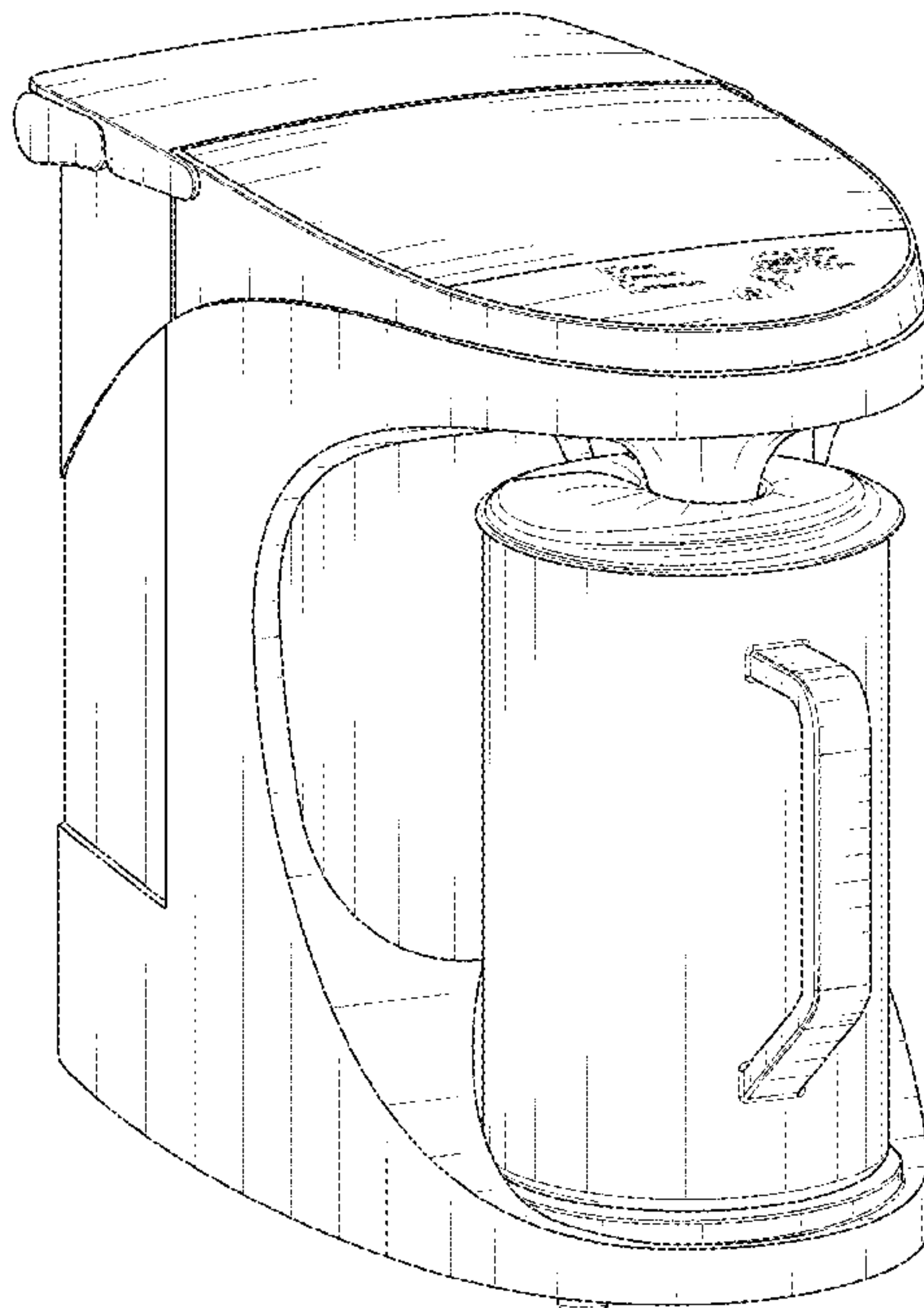
FIG. 6 is a left view thereof;

FIG. 7 is a top view thereof; and,

FIG. 8 is a bottom view thereof.

The dashed boundary lines are for purposes of illustration only and do not form a part of the claimed design. Any components within the dashed boundary lines are disclaimed from the subject matter of the claimed design.

**1 Claim, 8 Drawing Sheets**



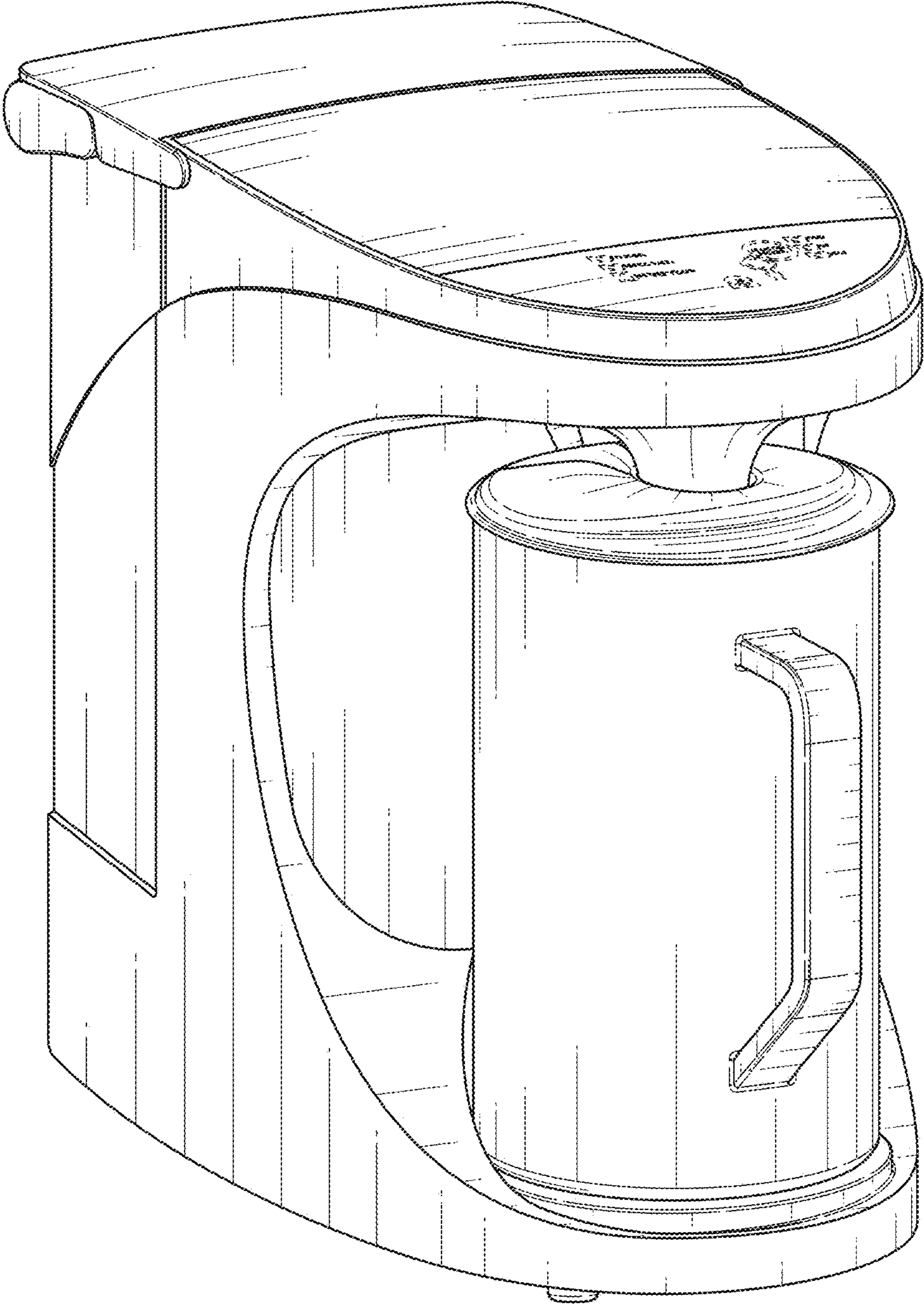


FIG. 1

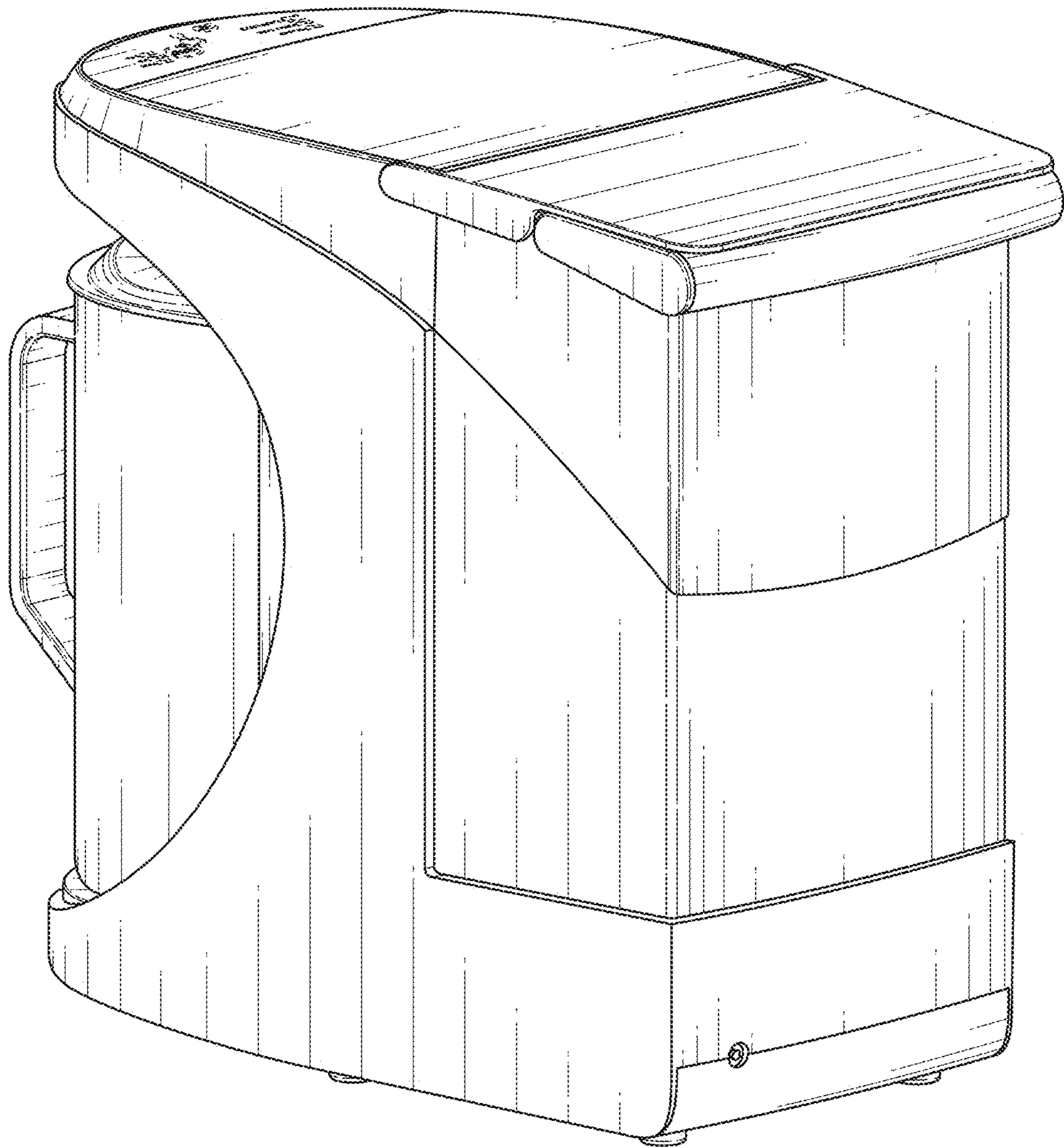


FIG. 2



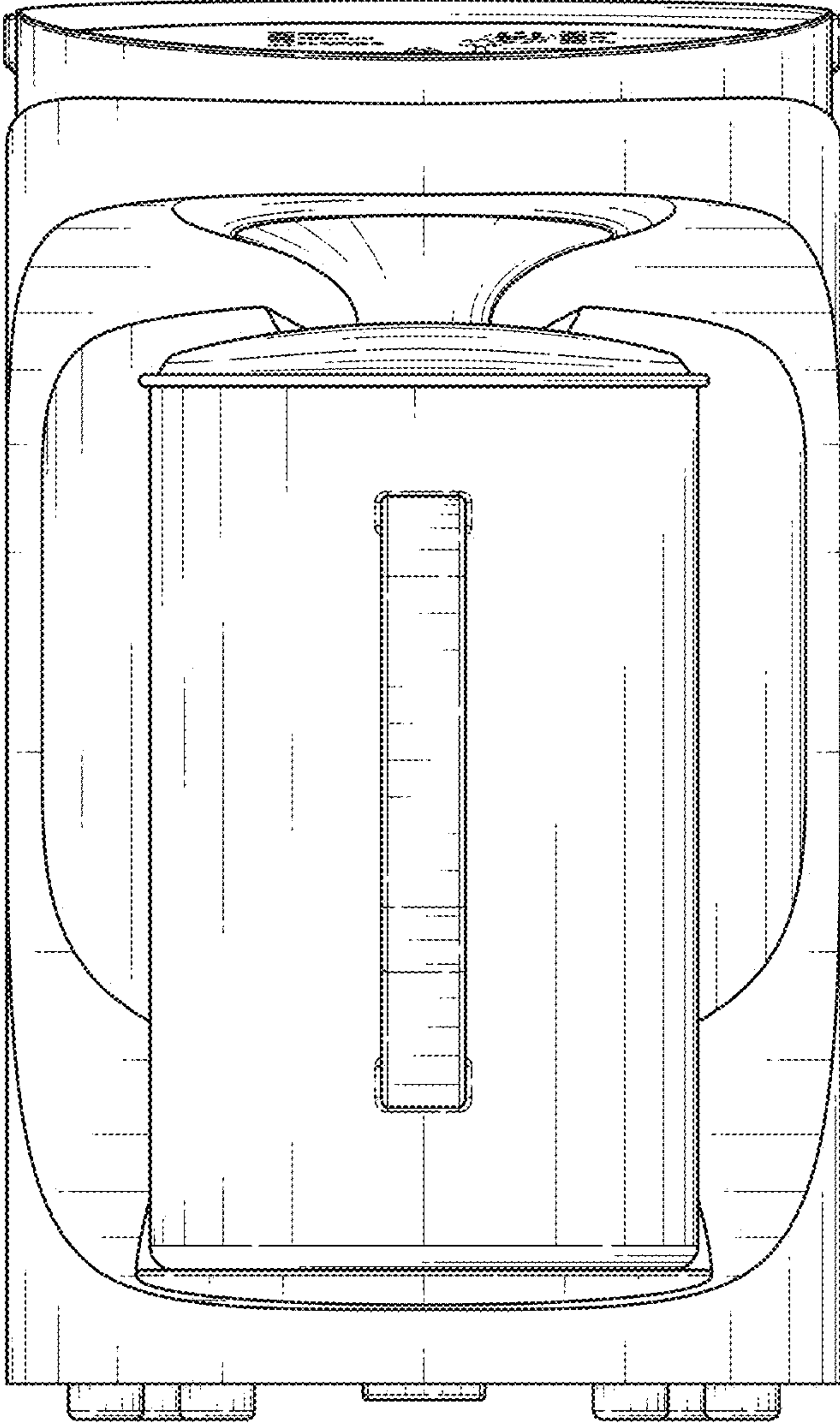


FIG. 3

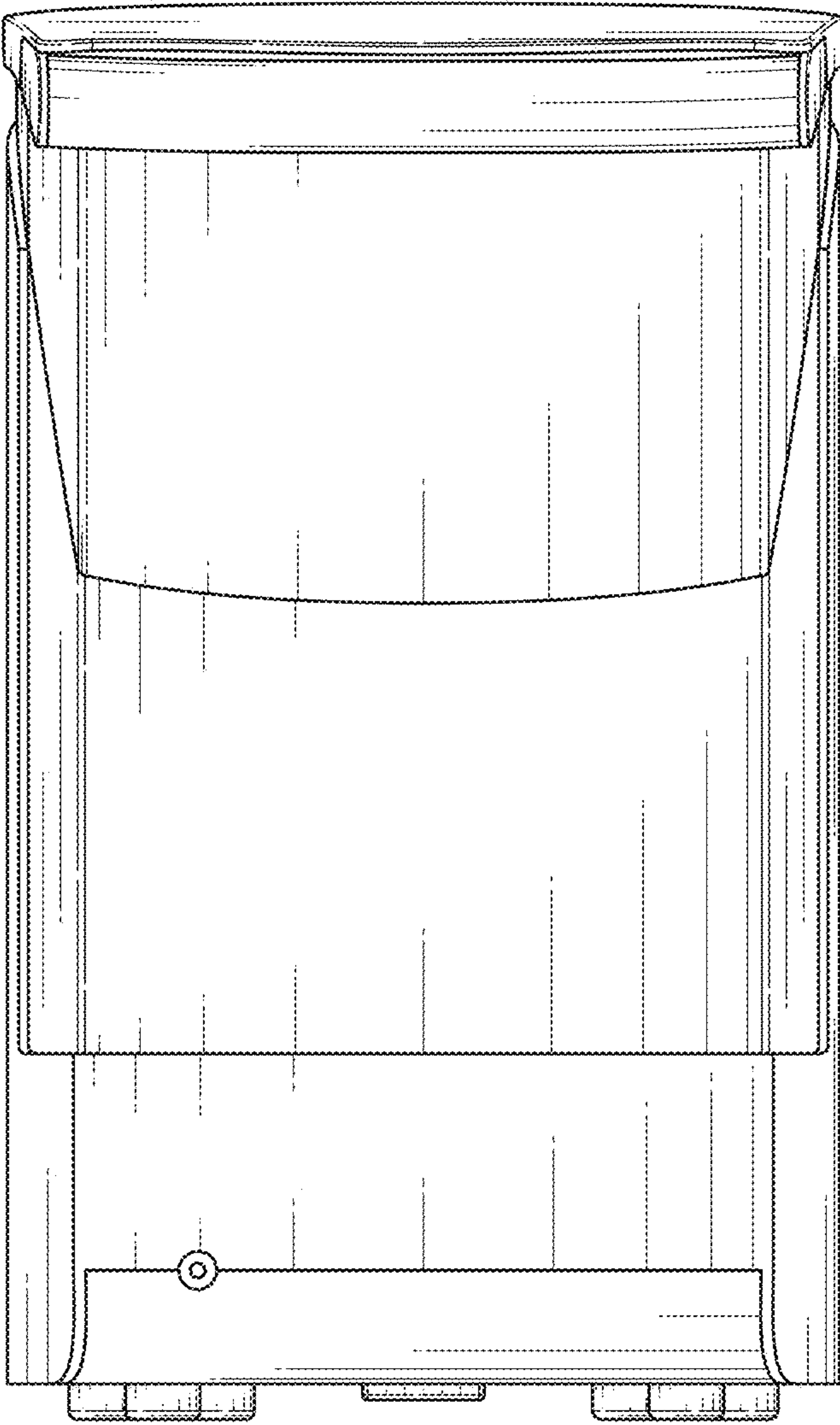


FIG. 4

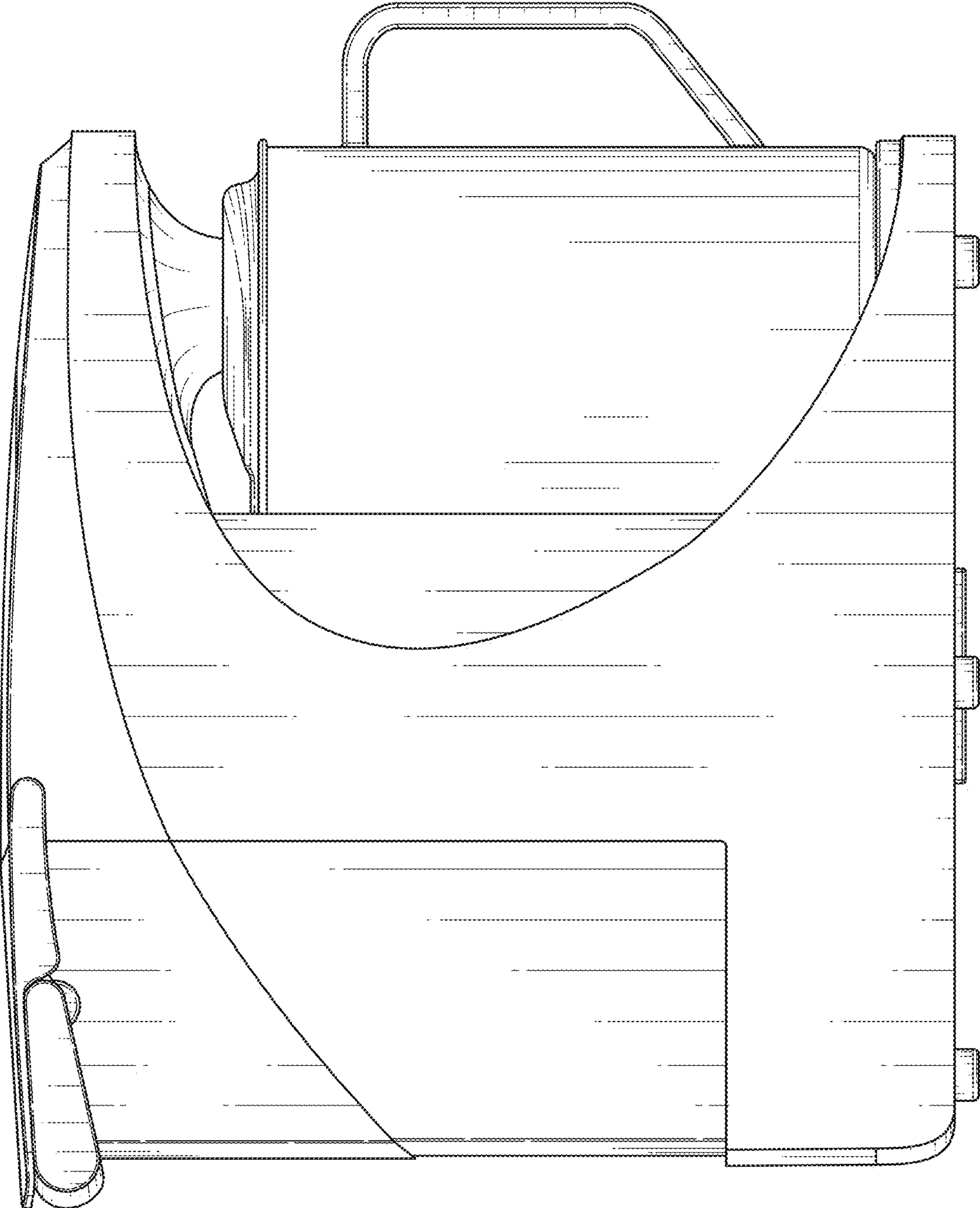


FIG. 5

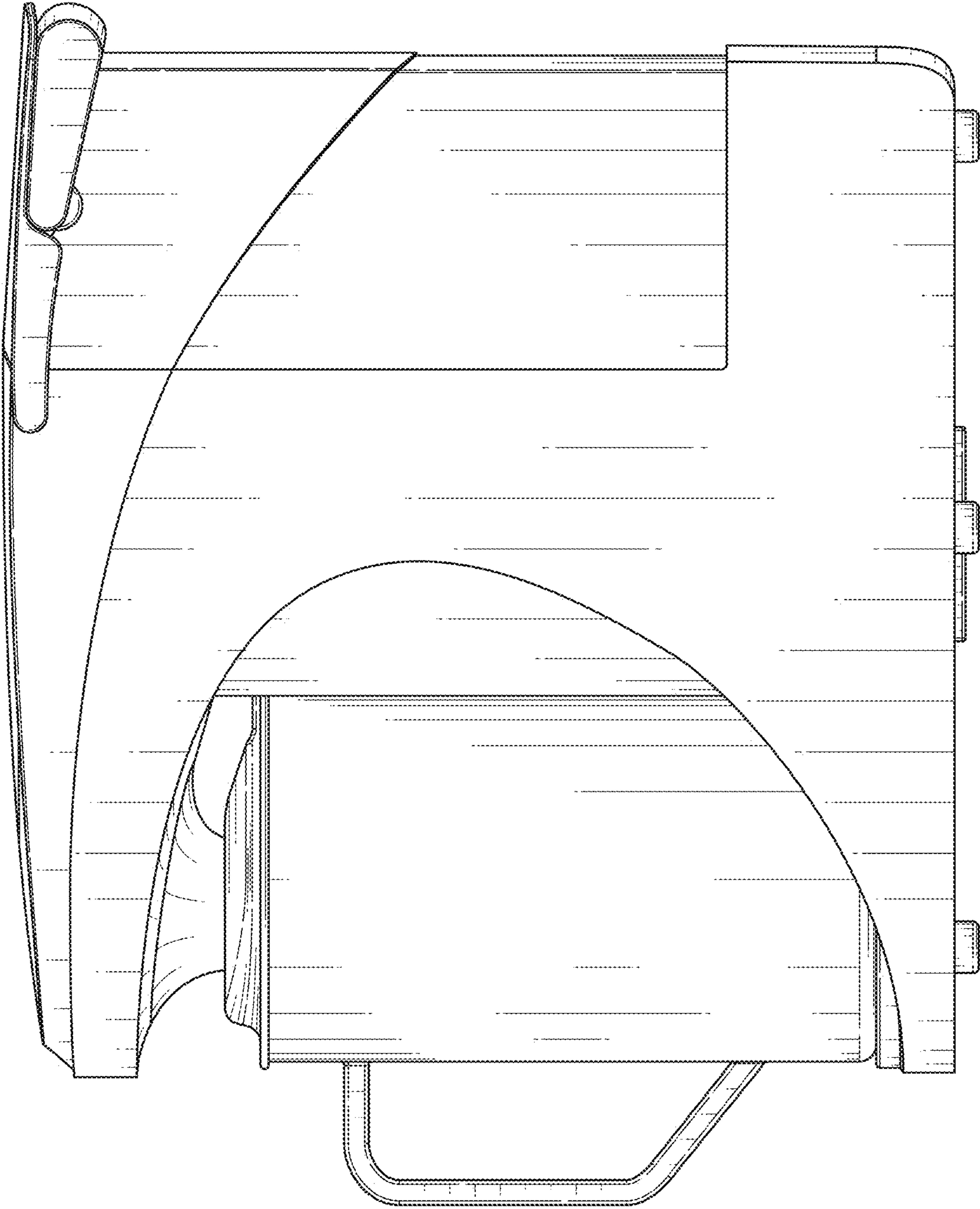


FIG. 6

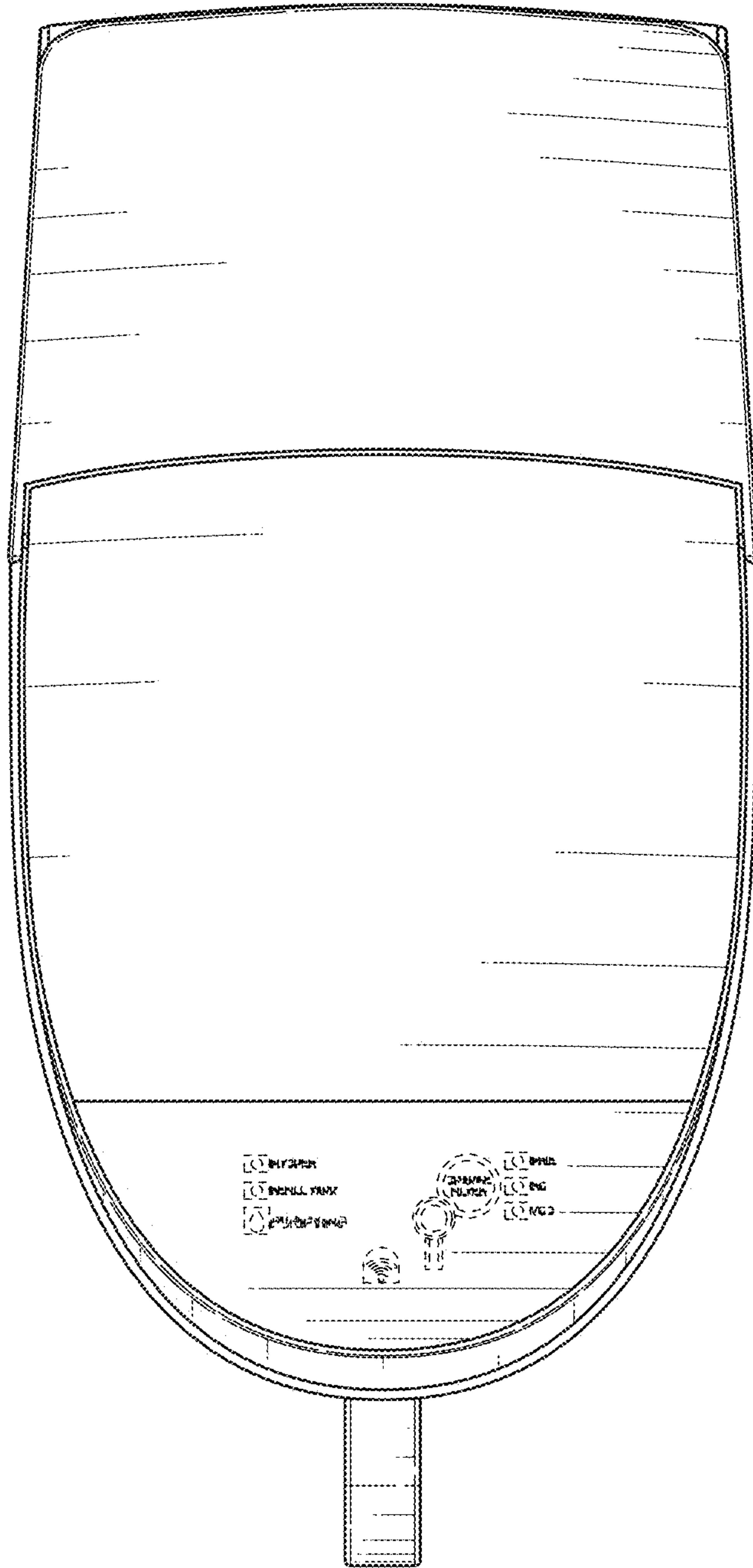


FIG. 7



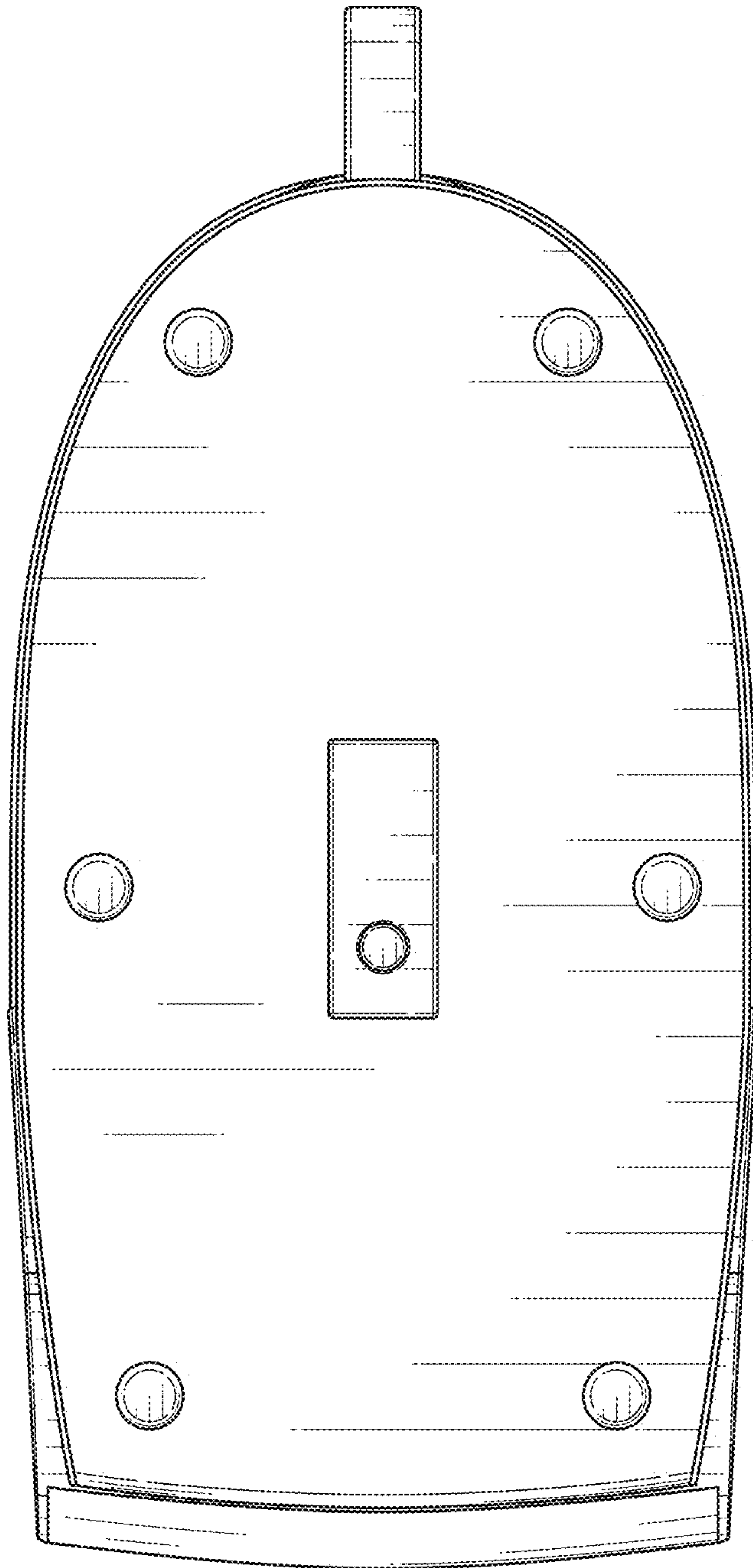


FIG. 8