



US0D1024623S

(12) **United States Design Patent** (10) **Patent No.:** **US D1,024,623 S**  
**Zhou** (45) **Date of Patent:** **\*\* Apr. 30, 2024**

(54) **PET MAT FOR CAR**

FOREIGN PATENT DOCUMENTS

(71) Applicant: **Shenzhen Tonghua Weiye Technology Co., Ltd.**, Shenzhen (CN)

CN 305111295 \* 4/2019  
CN 305952150 \* 7/2020  
GB 6203625 \* 4/2022

(72) Inventor: **Wei Zhou**, Shenzhen (CN)

OTHER PUBLICATIONS

(73) Assignee: **Shenzhen Tonghua Weiye Technology Co., Ltd.**, Shenzhen (CN)

Kululu Dog Seat Cover for Back Seat for Cars, Truck & SUVs, 100% Waterproof Car Seat Protector for Dogs with Visual Mesh Window—Durable & Nonslip Back Seat Cover for Dogs—Washable Dog Car Hammock <https://a.co/d/81DnGbs>, Oct. 8, 2016 (Year: 2016).\*

(\*\*) Term: **15 Years**

(21) Appl. No.: **29/816,955**

(Continued)

(22) Filed: **Nov. 26, 2021**

(51) **LOC (14) Cl.** ..... **06-13**

(52) **U.S. Cl.**

USPC ..... **D6/611**

(58) **Field of Classification Search**

USPC ..... D6/596, 608, 610, 611, 613, 616;  
D12/203, 221, 416; D30/199

CPC .. A01K 1/0272; A01K 1/0353; A45C 13/002;  
B60N 2/60; B60N 2/867; B60N 2/6009;  
B60N 2/6027; B60N 2002/905; B60N  
2002/363; B60P 3/04

See application file for complete search history.

*Primary Examiner* — Jennifer L Rempfer

*Assistant Examiner* — Bethany Louise Mallino

(74) *Attorney, Agent, or Firm* — Nitin Kaushik

(57)

**CLAIM**

The ornamental design for a pet mat for car, as shown and described.

**DESCRIPTION**

FIG. 1 is a top, front and left side perspective view of a pet mat for car showing my new design;

FIG. 2 is a bottom, rear and left side perspective view thereof;

FIG. 3 is a front elevational view thereof;

FIG. 4 is a rear elevational view thereof;

FIG. 5 is a left side elevational view thereof;

FIG. 6 is a right side elevational view thereof;

FIG. 7 is a top plan view thereof;

FIG. 8 is a bottom plan view thereof;

FIG. 9 is an enlarged view of portion 9 in FIG. 1; and,

FIG. 10 is an enlarged view of portion 10 in FIG. 2.

The long dash-dot lines represent the bounds of the detail view and form no part of the claim. The broken lines in the drawings illustrate portions of the pet mat for car which form no part of the claimed design.

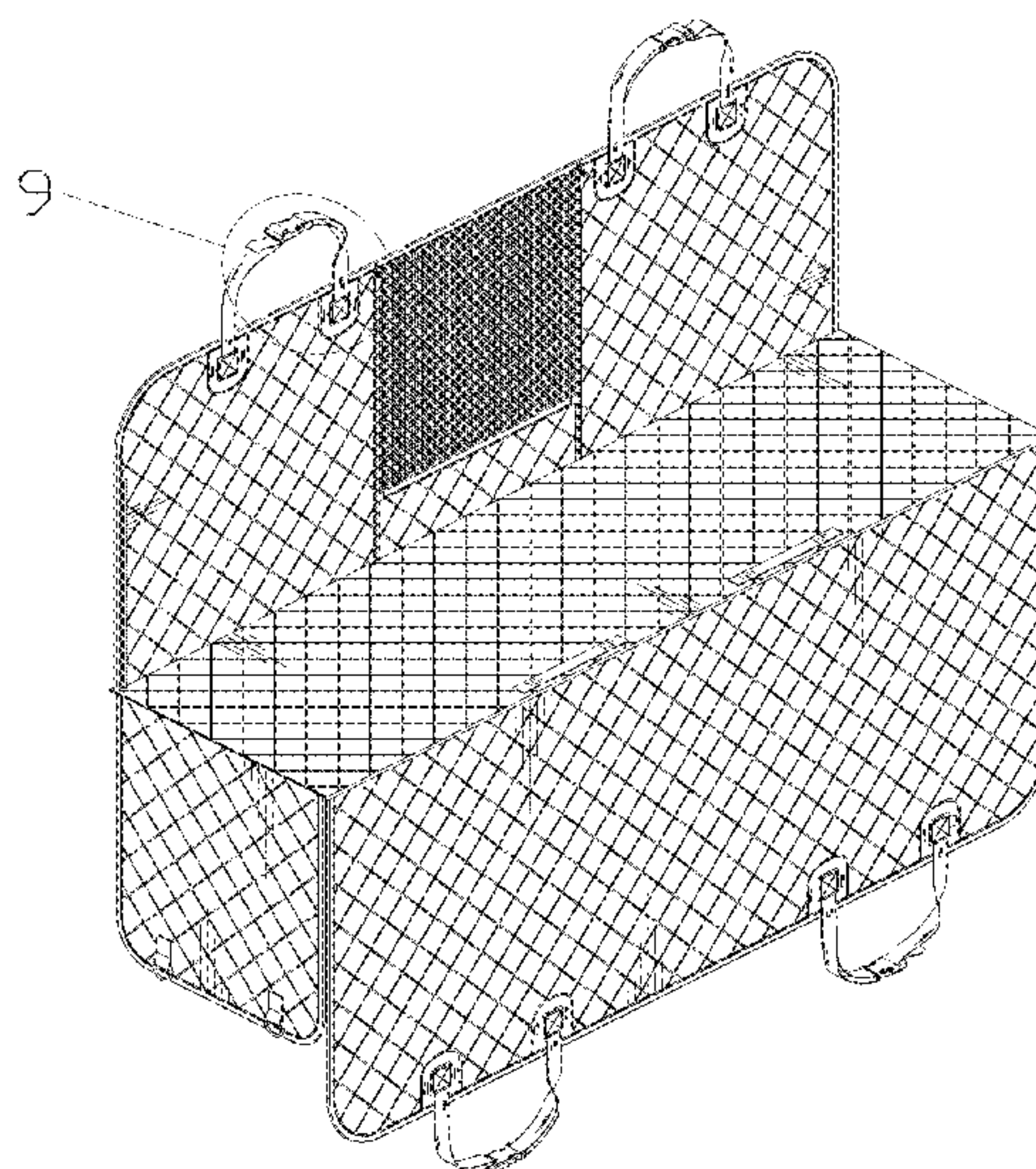
(56) **References Cited**

U.S. PATENT DOCUMENTS

D851,963	S	*	6/2019	Fischer-Livneh	.....	D6/611
D868,503	S	*	12/2019	Fu	.....	D6/611
D880,198	S	*	4/2020	Umlauf	.....	D6/611
D883,716	S	*	5/2020	Hu	.....	D6/611
D902,629	S	*	11/2020	Umlauf	.....	D6/611
D904,798	S	*	12/2020	Cameron	.....	D6/611
D923,974	S	*	7/2021	Xu	.....	D6/611
D932,215	S	*	10/2021	Zheng	.....	D6/611
D946,313	S	*	3/2022	Xiao	.....	D6/611
D946,314	S	*	3/2022	Xiao	.....	D6/611
D966,749	S	*	10/2022	Xu	.....	D6/611
D972,338	S	*	12/2022	Chen	.....	D6/611
D972,339	S	*	12/2022	Chen	.....	D6/611

(Continued)

**1 Claim, 10 Drawing Sheets**



(56)

**References Cited**

U.S. PATENT DOCUMENTS

D979,986 S \* 3/2023 Umlauf ..... D6/611  
D987,331 S \* 5/2023 Wang ..... D6/611

OTHER PUBLICATIONS

IBuddy Dog Floor Hammock Cover for Truck with Flip Up Rear  
Seats 100% Waterproof Full Coverage Dog Truck Seat Cover  
Scratch Proof X-Large Pet Seat Cover for Crew Cab Trucks  
Machine Washable <https://a.co/d/gqCeRbA>, Nov. 30, 2021 (Year:  
2021).\*

\* cited by examiner



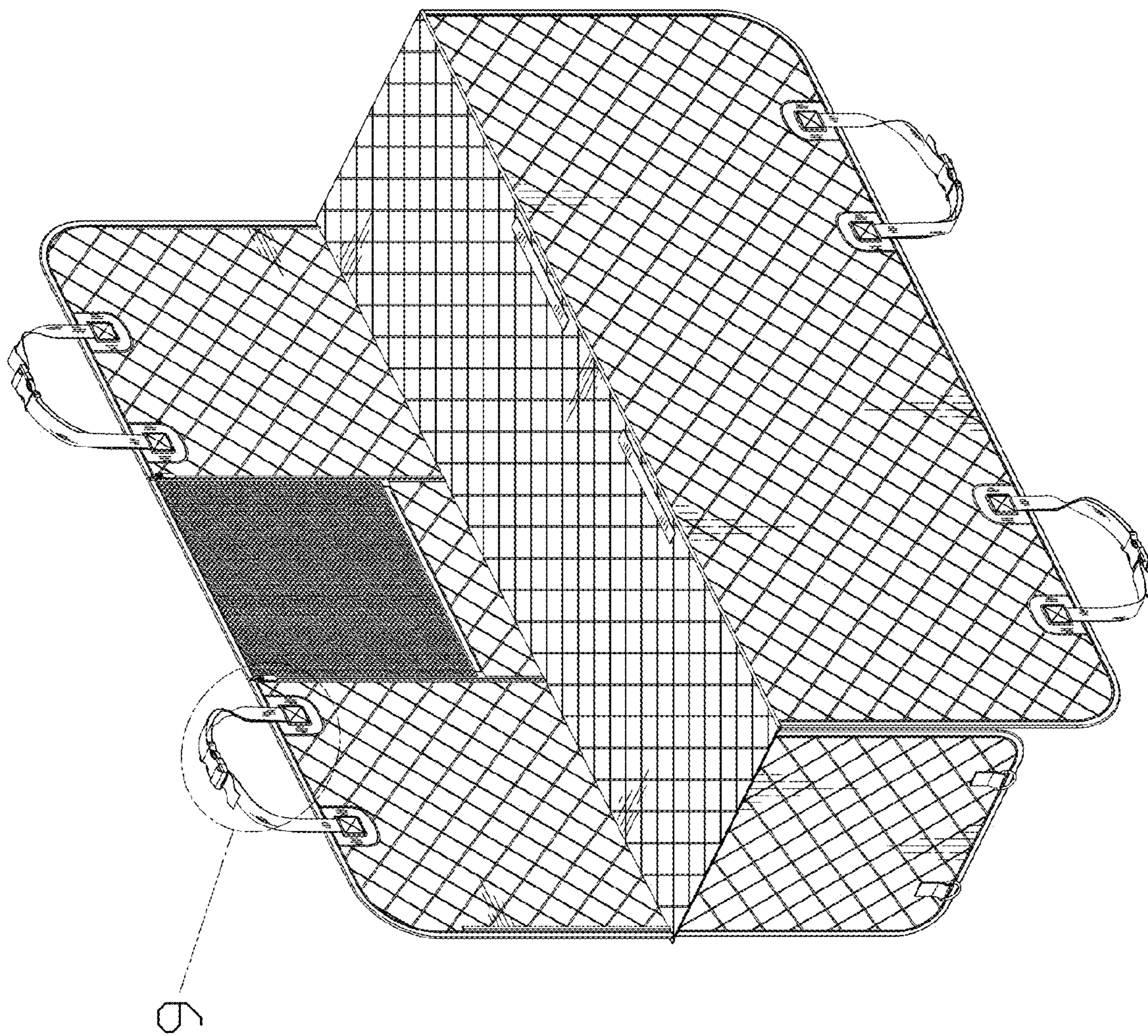


FIG. 1



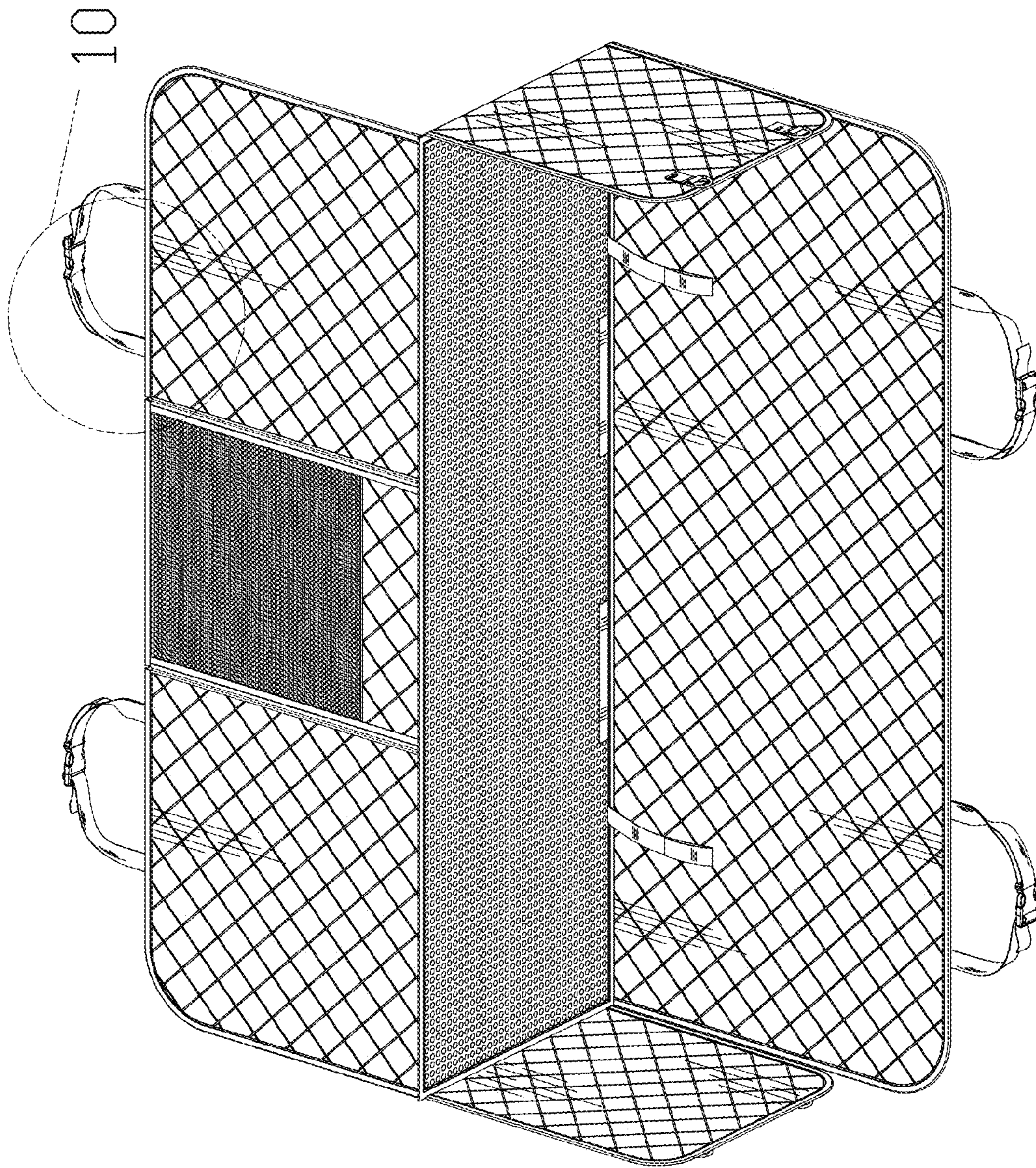


FIG. 2



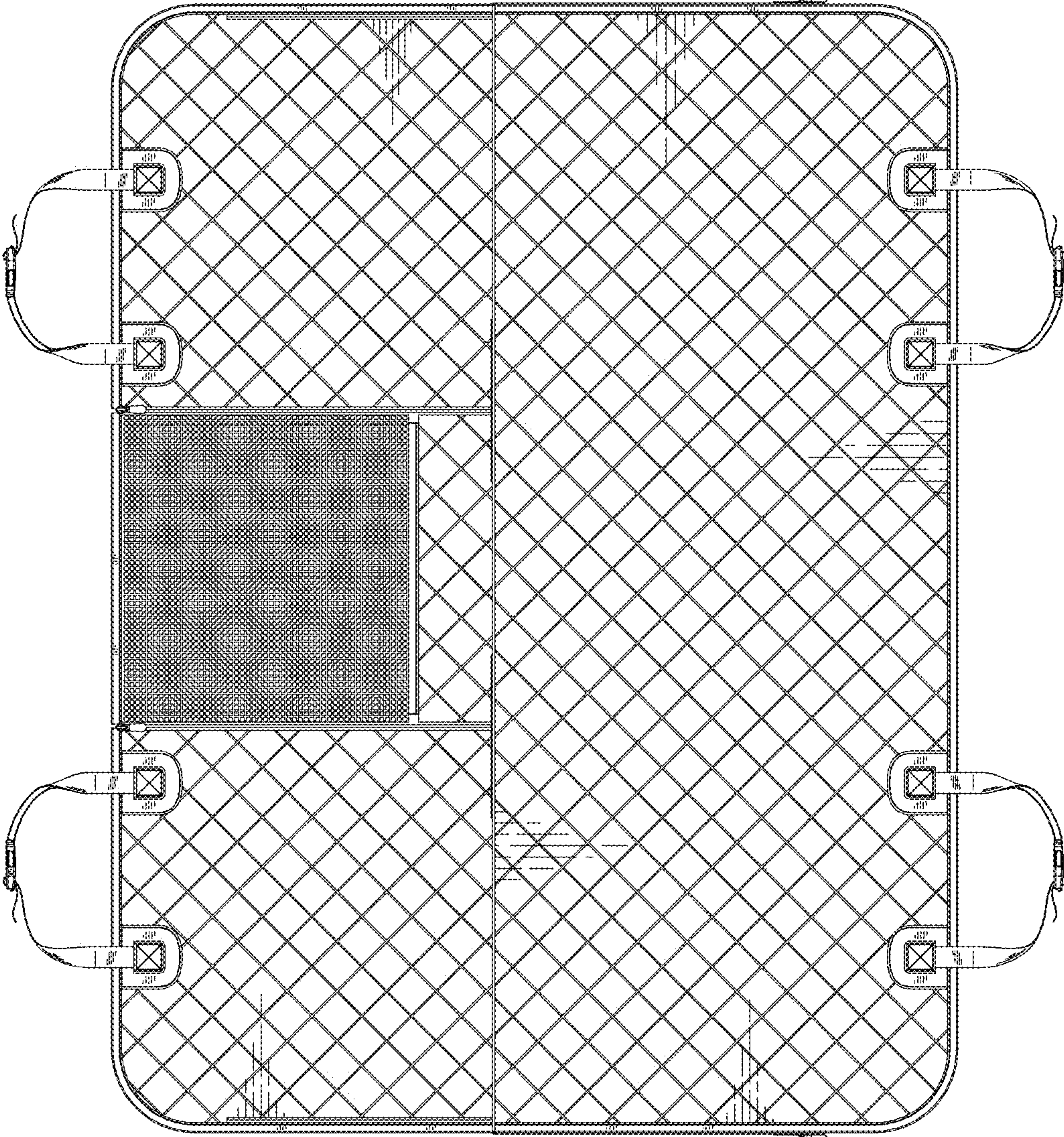


FIG. 3



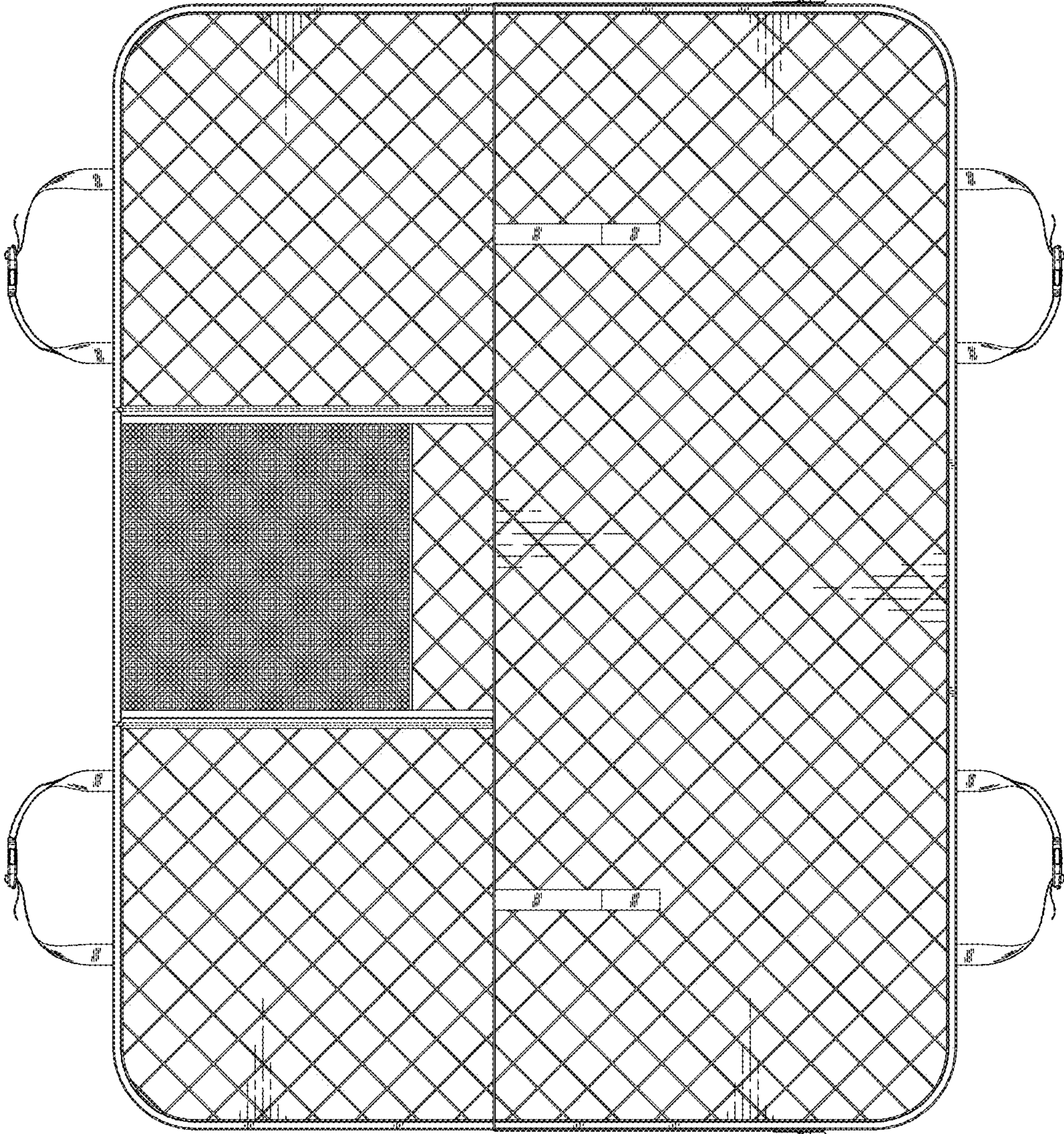


FIG. 4

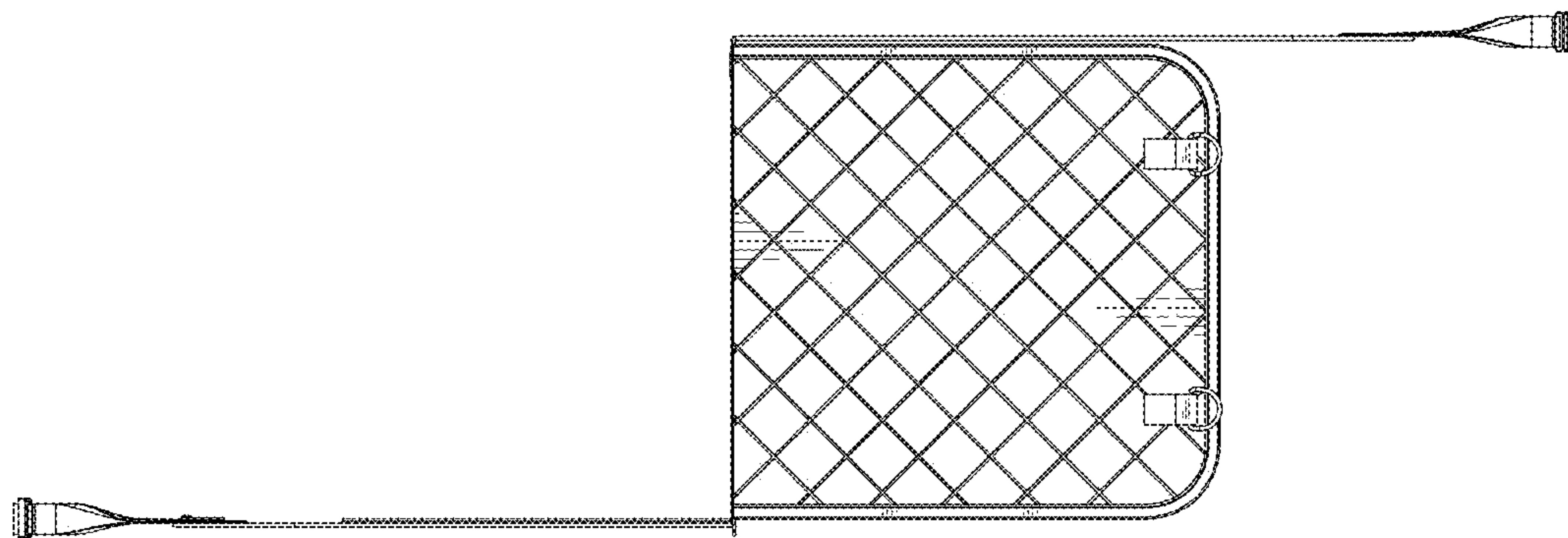


FIG. 5



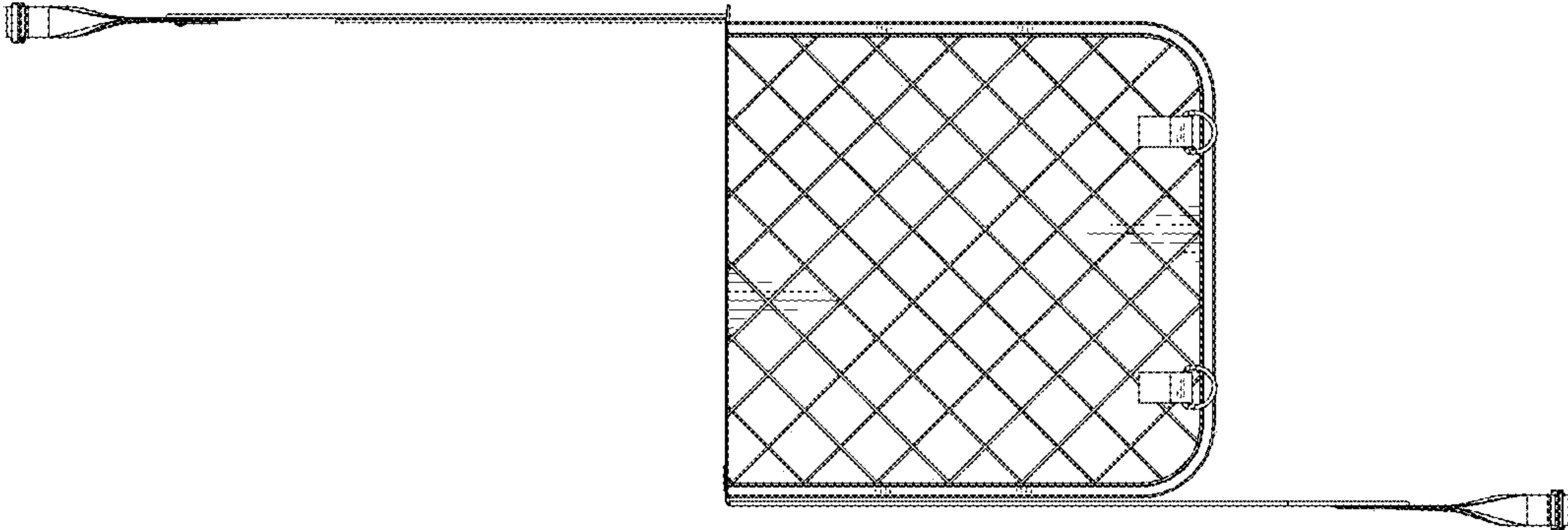


FIG. 6



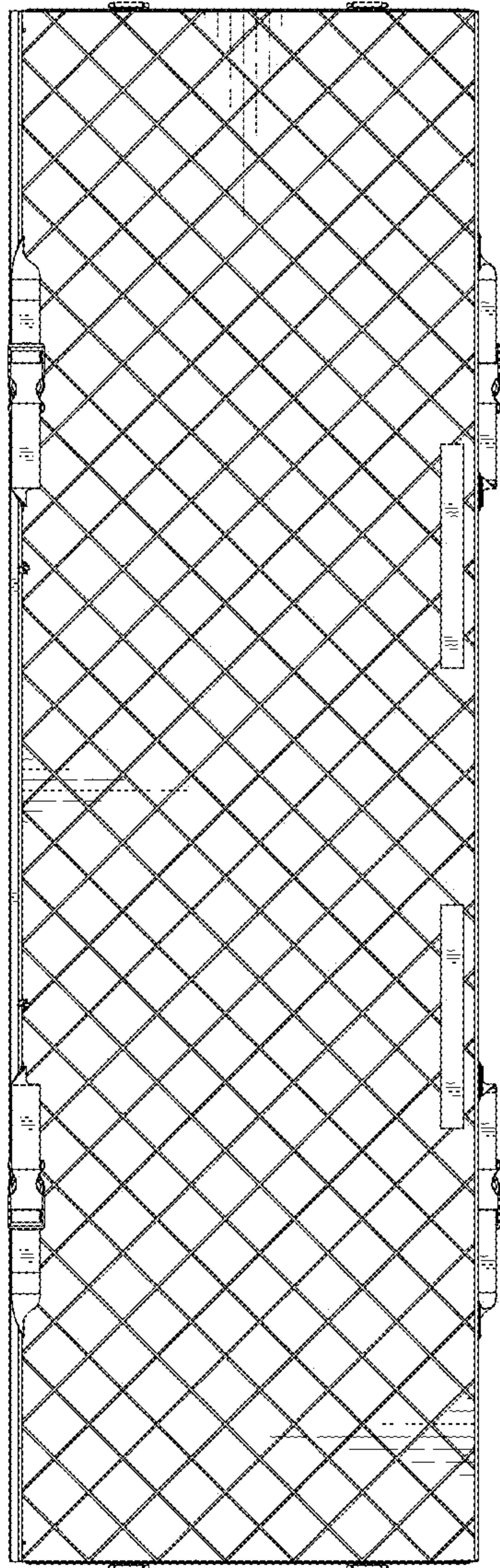


FIG. 7



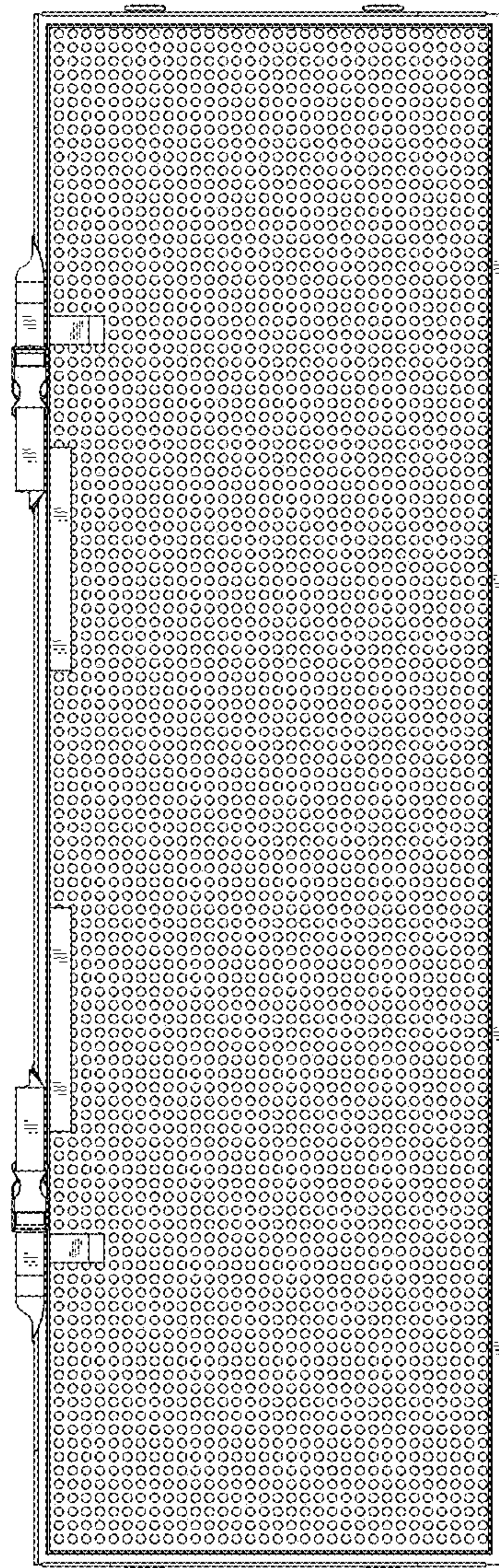


FIG. 8



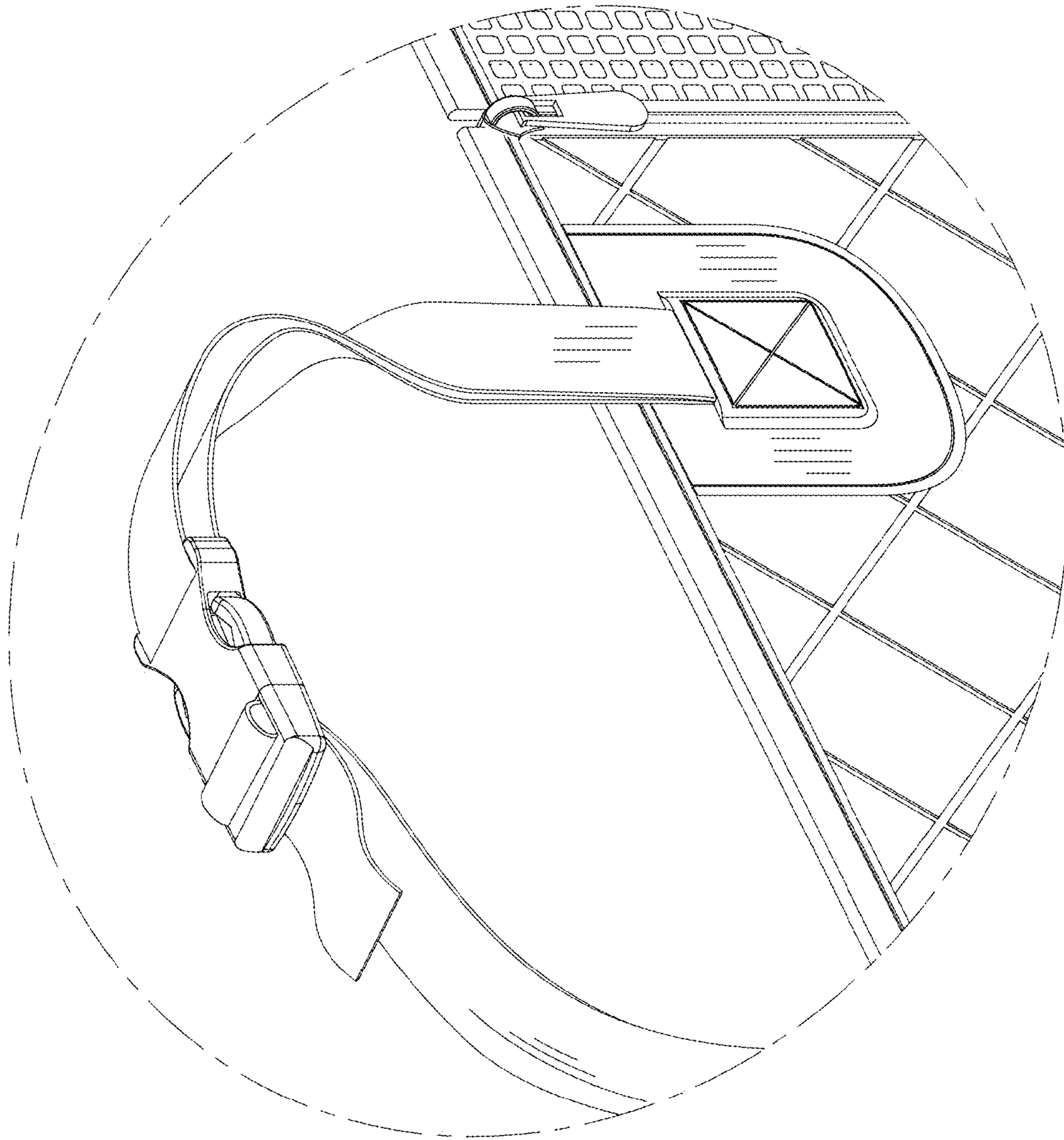


FIG. 9



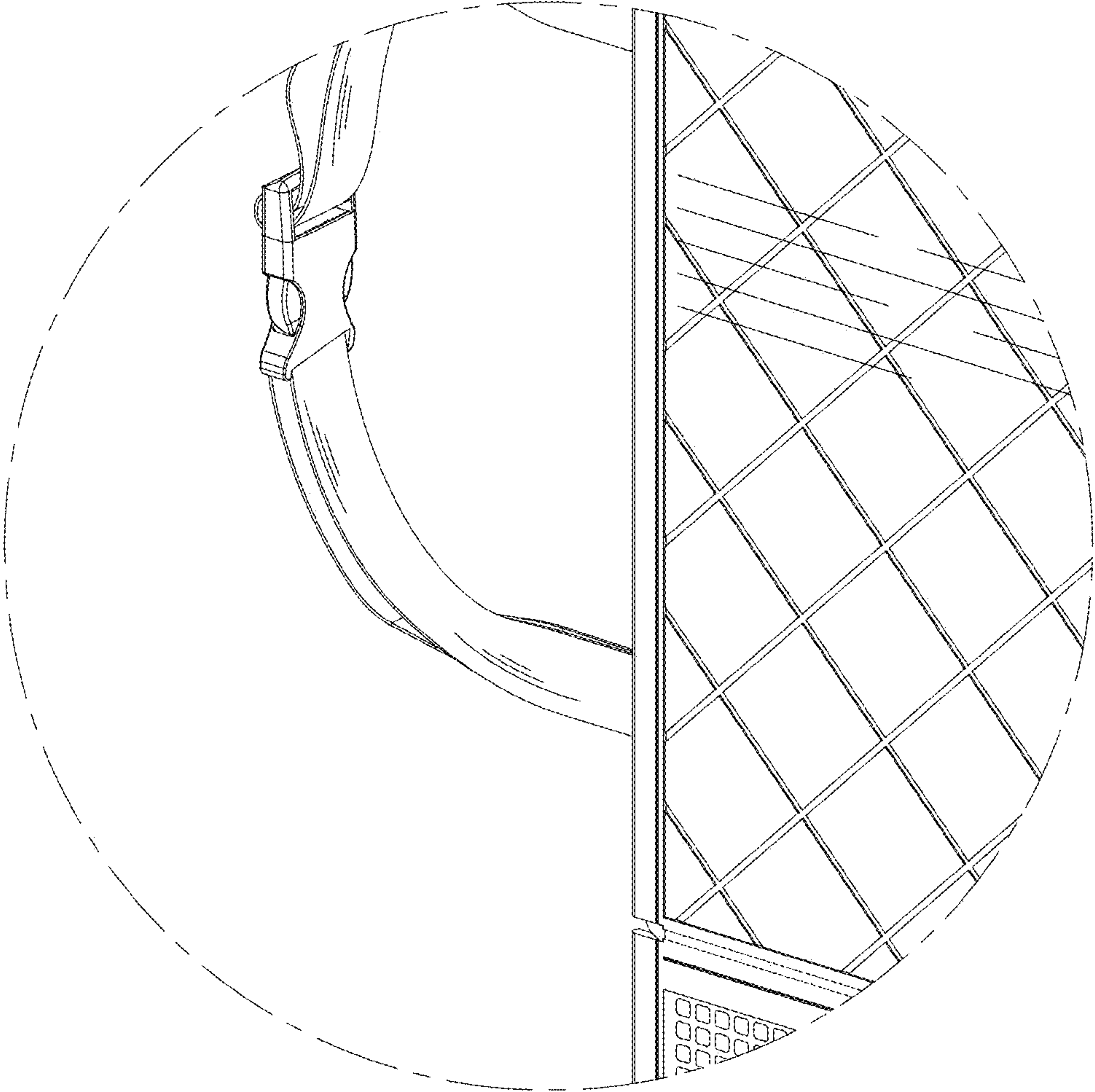


FIG. 10