

US0D1024483S

(12) **United States Design Patent**
Donnelly, V

(10) **Patent No.: US D1,024,483 S**

(45) **Date of Patent: ** Apr. 23, 2024**

(54) **HAND TRUCK PLOW ATTACHMENT**

(71) Applicant: **WPDV Design, Inc.**, Wixom, MI (US)

(72) Inventor: **William Patrick Donnelly, V**, Berkley, MI (US)

(73) Assignee: **WPDV DESIGN, INC.**, Wixom, MI (US)

(**) Term: **15 Years**

(21) Appl. No.: **29/771,887**

(22) Filed: **Feb. 25, 2021**

(51) **LOC (14) Cl.** **12-05**

(52) **U.S. Cl.**
USPC **D34/35**

(58) **Field of Classification Search**
USPC D34/34, 35, 17
CPC B66F 9/142; B66F 9/085; B66F 9/147;
B66F 9/12; B66F 9/19; B62B 1/12; B62B
1/14

See application file for complete search history.

(56) **References Cited**

U.S. PATENT DOCUMENTS

2,460,560	A	2/1949	Horace	
2,508,612	A	5/1950	Kimbler	
2,921,798	A	1/1960	Cislak	
4,048,735	A	9/1977	Brunty	
D249,663	S *	9/1978	Willett	D34/29
D262,614	S *	1/1982	Helgesson	D34/35
D356,415	S *	3/1995	Minasian	D34/27
5,465,987	A *	11/1995	DellaVecchia	B62B 1/14 D34/28
5,511,327	A	4/1996	Jurkowski et al.	
5,531,036	A *	7/1996	Shinkle	E02F 3/80 37/405
5,560,129	A *	10/1996	Rothbart	B66F 9/12 37/231

D425,528	S *	5/2000	Lindgren	D34/28
D442,757	S *	5/2001	Loflin, Sr.	D15/32
8,176,661	B2 *	5/2012	Brame	E01H 5/065 37/266
D674,983	S *	1/2013	Auf der Maur	D34/35
8,607,890	B2 *	12/2013	Liebl	E02F 3/7613 172/821
D801,619	S *	10/2017	Bettcher, III	D34/35

(Continued)

OTHER PUBLICATIONS

Worx WA0230 Aero Cart Wheelbarrow Snow Plow, retrieved Oct. 11, 2023, <https://www.walmart.com/ip/Worx-WA0230-AeroCart-Wheelbarrow-Snow-Plow/40487651?from=/search> (Year: 2023).*

(Continued)

Primary Examiner — Cynthia Ramirez

(57) **CLAIM**

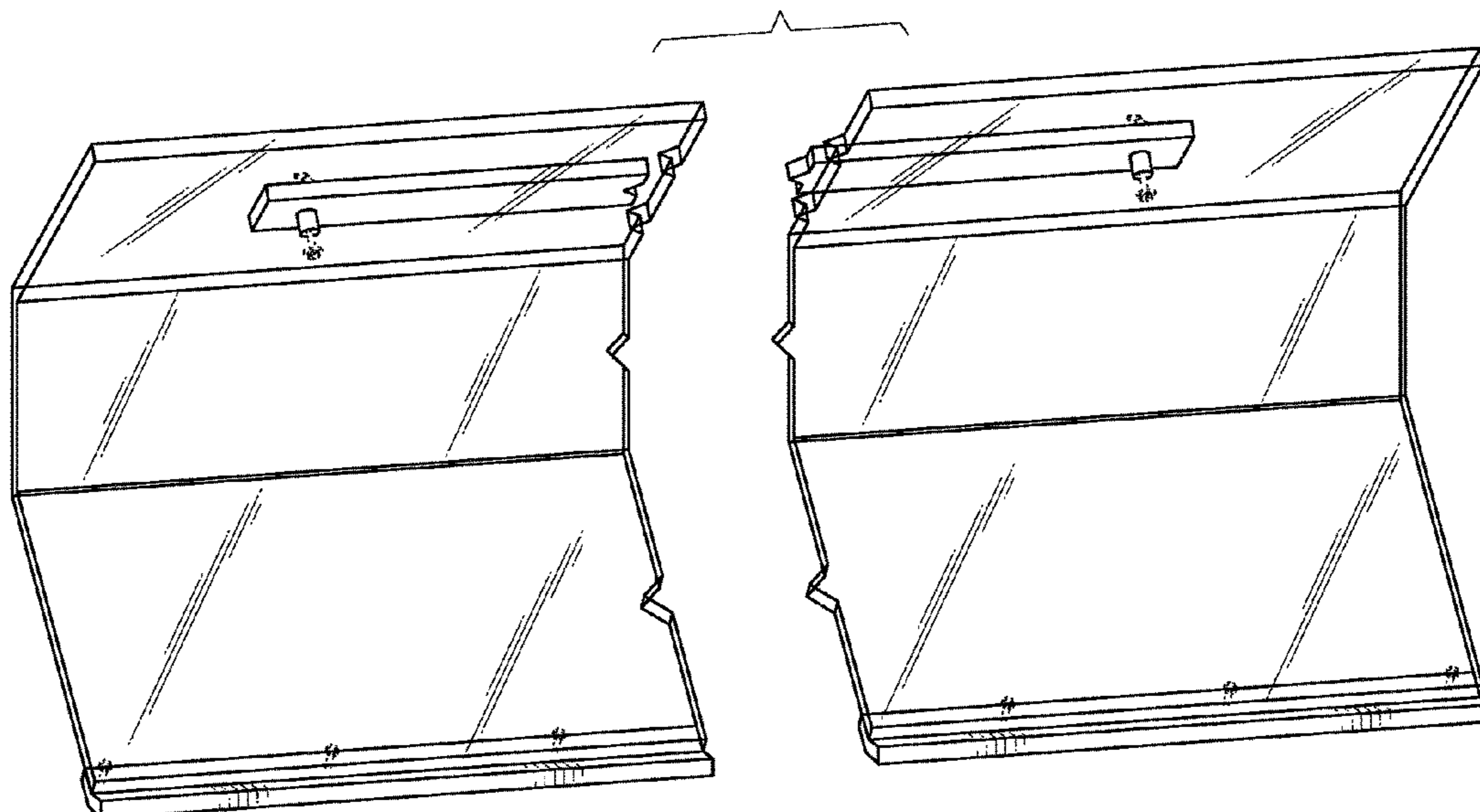
The ornamental design for a hand truck plow attachment, as shown and described.

DESCRIPTION

FIG. 1 is a front-top-right perspective view of a hand truck plow attachment showing my new design; FIG. 2 is a rear-bottom-left perspective view thereof; FIG. 3 is a front elevational view thereof; FIG. 4 is a rear elevational view thereof; FIG. 5 is a left elevational view thereof; FIG. 6 is right elevational view thereof; FIG. 7 is a top elevational view thereof; and, FIG. 8 is a bottom elevational view thereof.

The broken lines showing fasteners in FIGS. 1 through 8 are included for the purpose of showing environmental structure and form no part of the claimed design. The hand truck plow attachment is shown with symbolic breaks on its length. Any portion of the hand truck plow attachment between the symbolic breaks is not part of the claimed design.

1 Claim, 8 Drawing Sheets



(56)

References Cited

U.S. PATENT DOCUMENTS

10,479,661	B2 *	11/2019	King	B66F 9/143
10,829,352	B2 *	11/2020	Lacher	B66F 9/122
2007/0068050	A1	3/2007	Flanagan	
2008/0067766	A1	3/2008	Watson	
2009/0116945	A1 *	5/2009	White	B66F 9/183
				414/667
2010/0101895	A1 *	4/2010	Collins	B66F 9/16
				187/237
2012/0055049	A1	3/2012	Yancheski	
2012/0299259	A1 *	11/2012	Carlson	B62B 1/12
				280/47.28
2019/0300350	A1 *	10/2019	Anderson	E02F 3/962
2023/0278840	A1 *	9/2023	Lindsey	B66F 9/195
				414/661

OTHER PUBLICATIONS

Two wheel adjustable height snow plow pusher, retrieved Oct. 11, 2023, <https://www.pinterest.com/pin/318770479859756188/> (Year: 2023).*

Heavy duty snow pusher and thrower, retrieved Oct. 11, 2023, <https://www.pinterest.com/pin/manufacturing--559924166187516521/> (Year: 2023).*

The clear Plow snow pusher, clearplow.com, Youtube video retrieved Oct. 11, 2023, <https://www.youtube.com/watch?v=pPlz6DGvKVY&t=11s> (Year: 2023).*

* cited by examiner

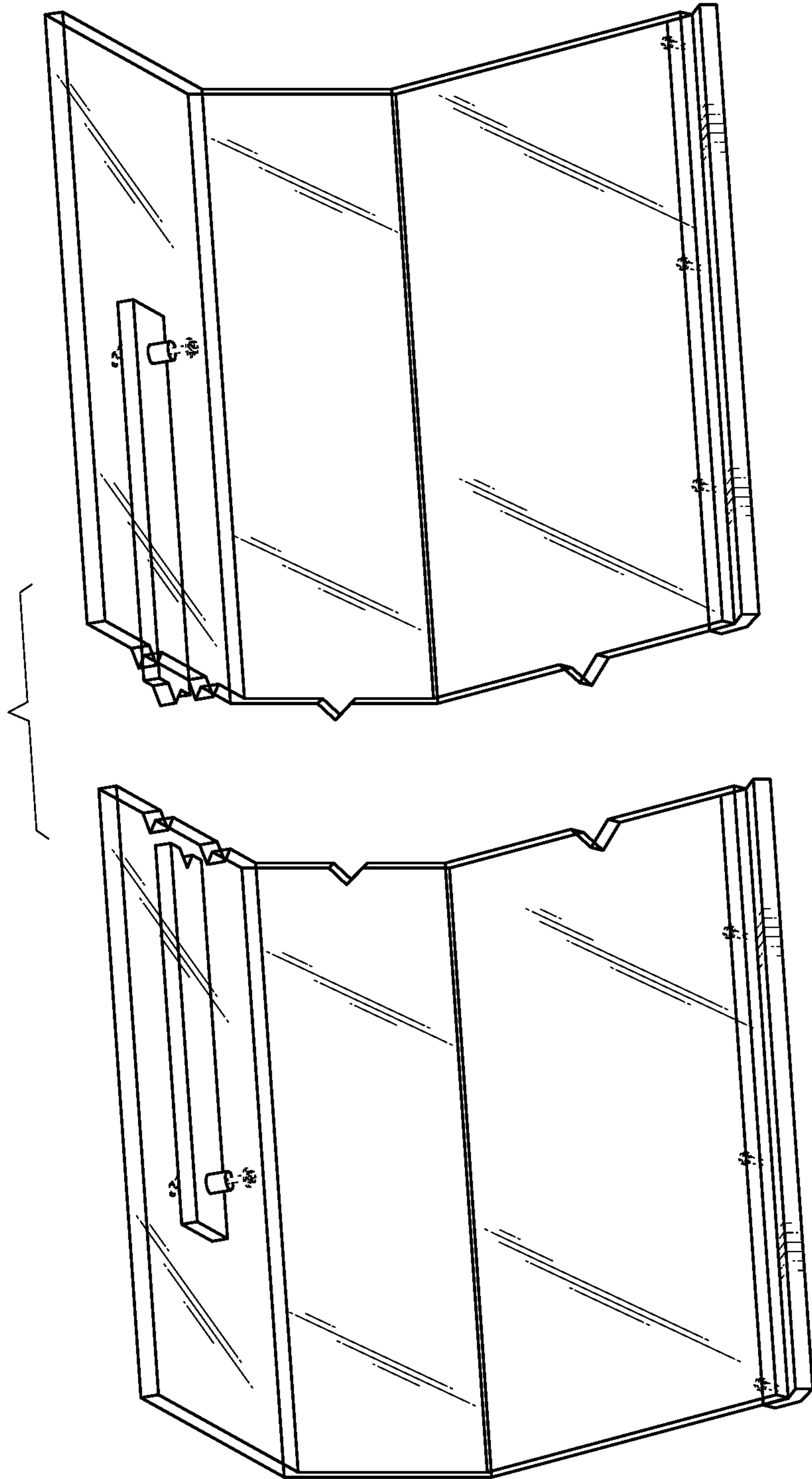


FIG. 1

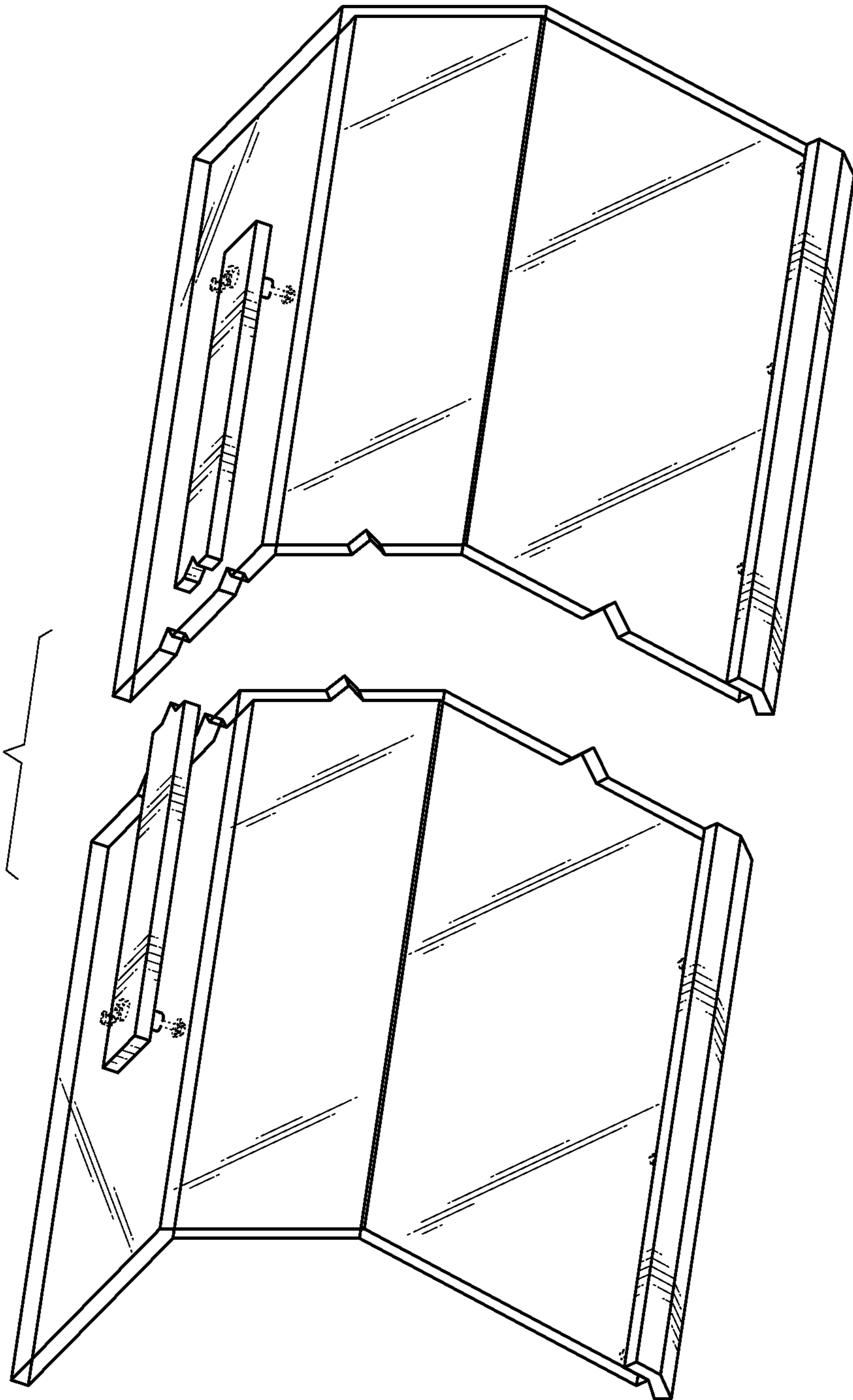


FIG. 2

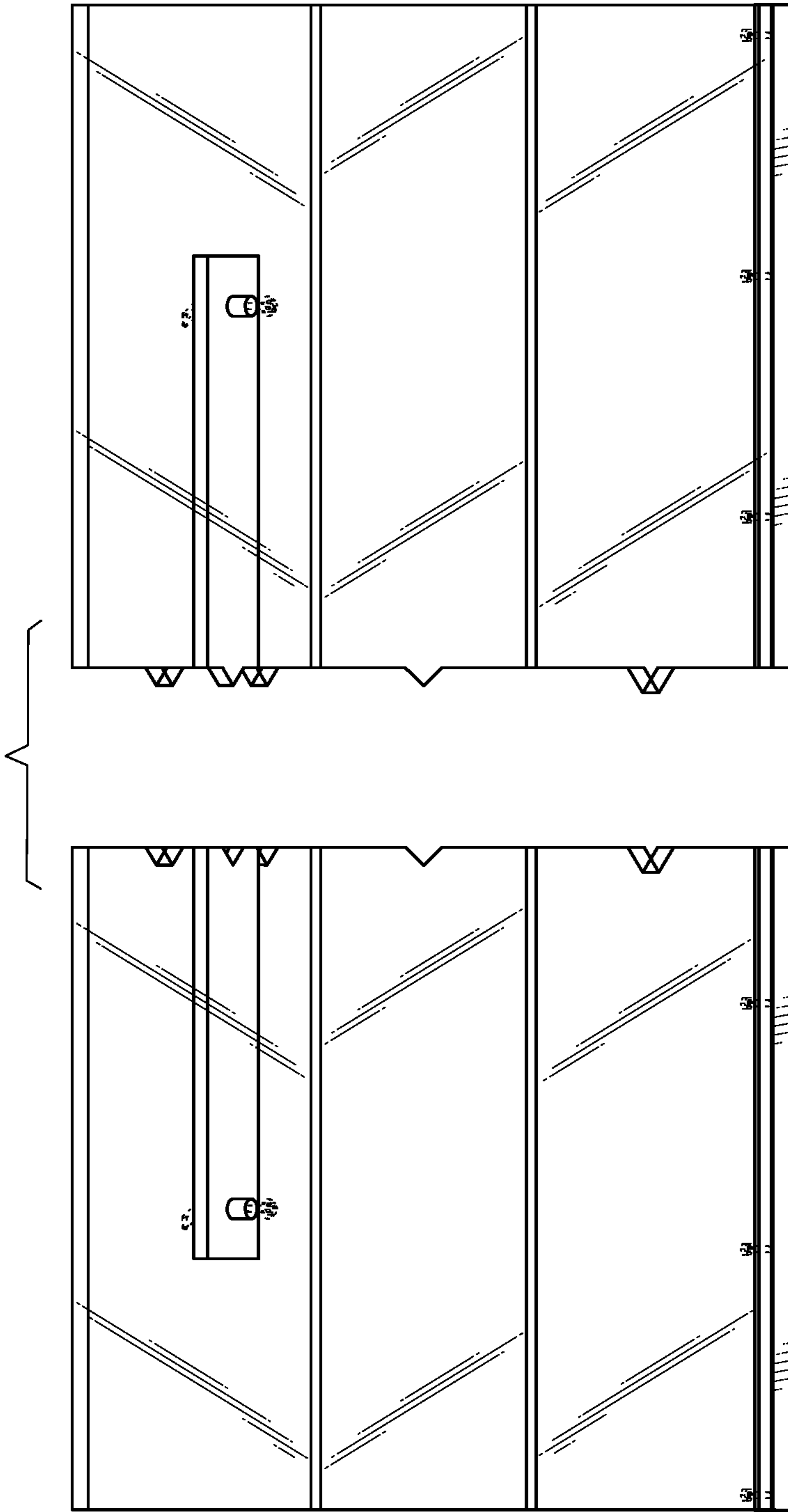


FIG. 3

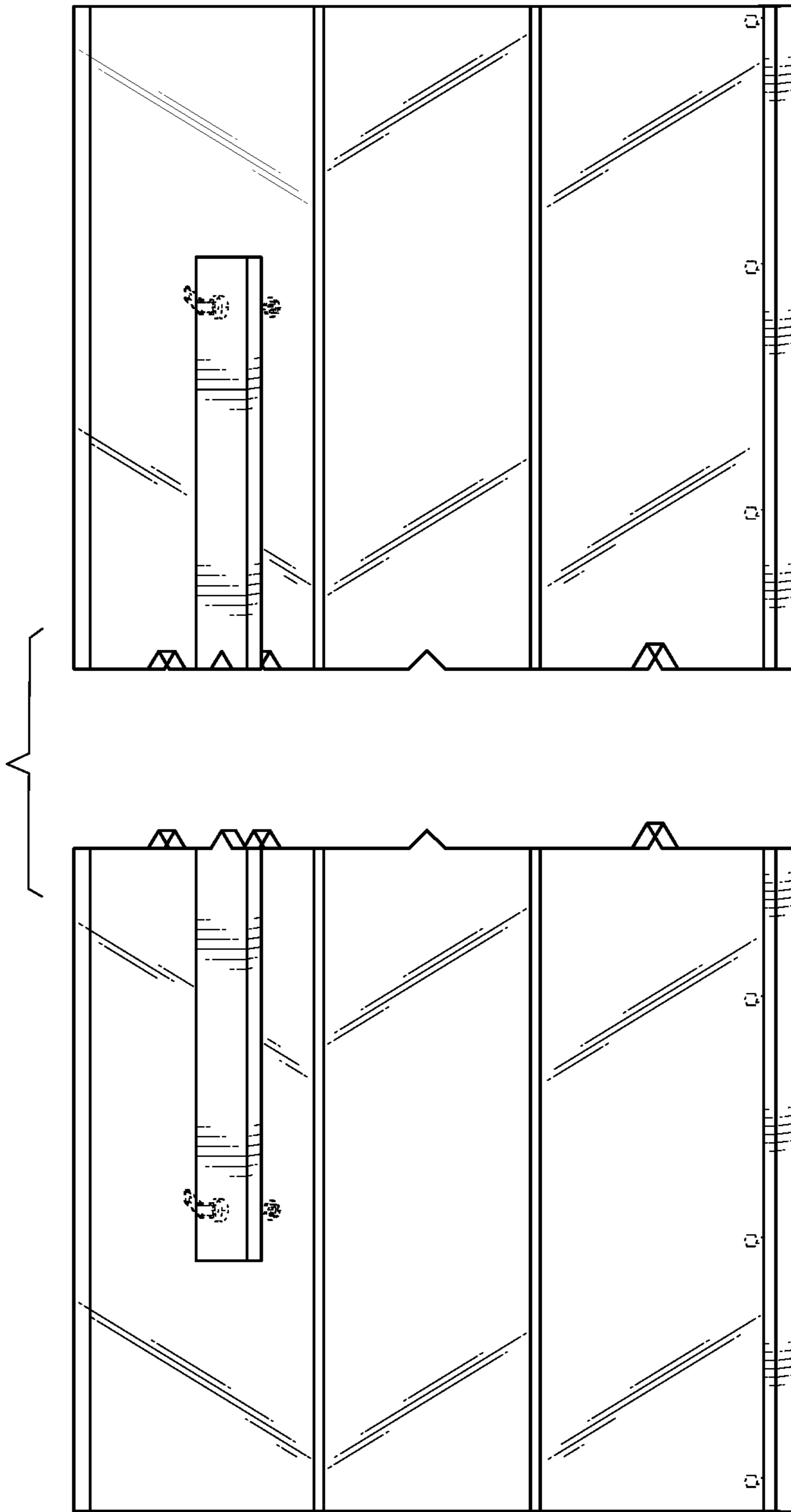


FIG. 4

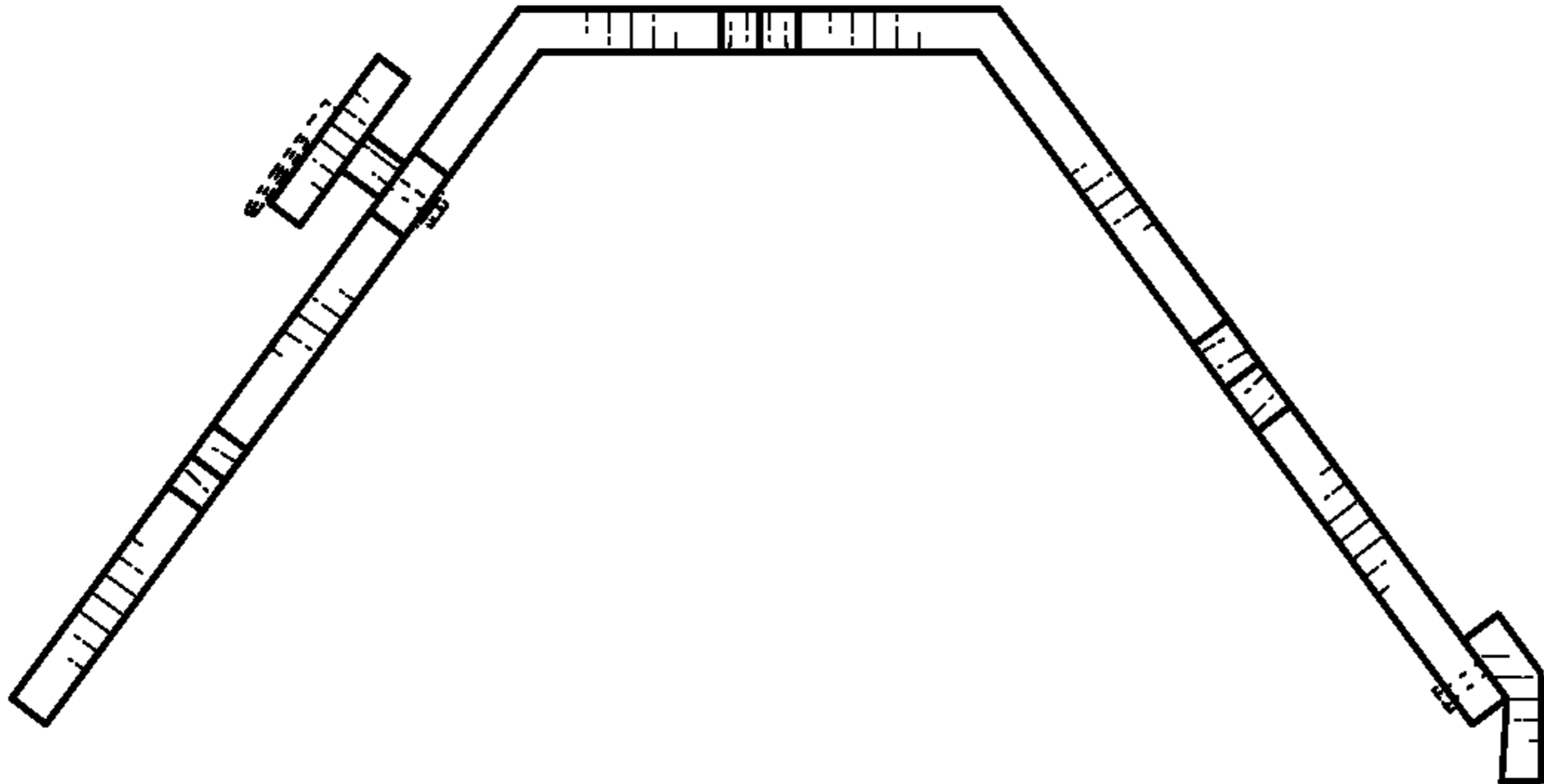


FIG. 5

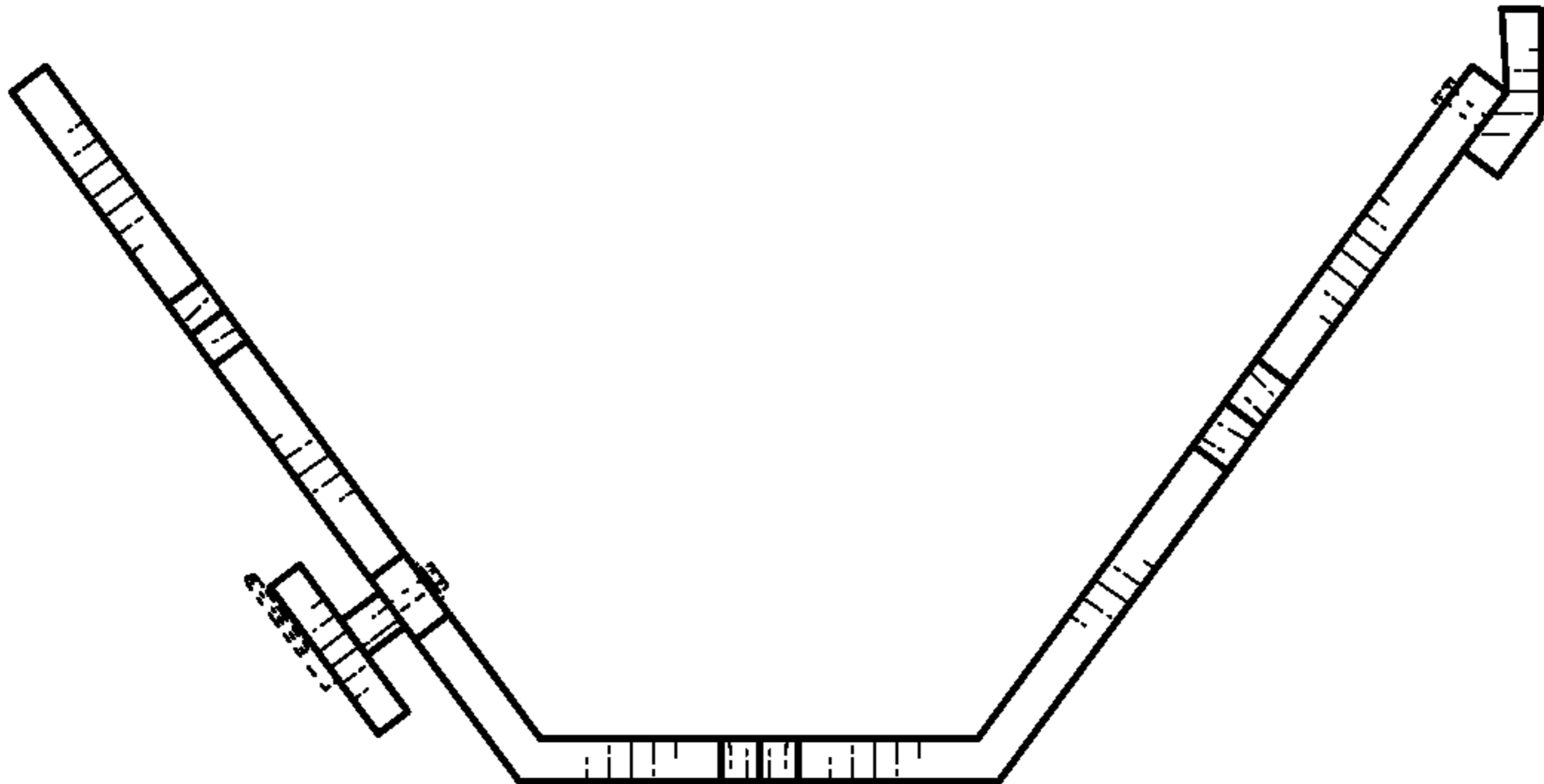


FIG. 6

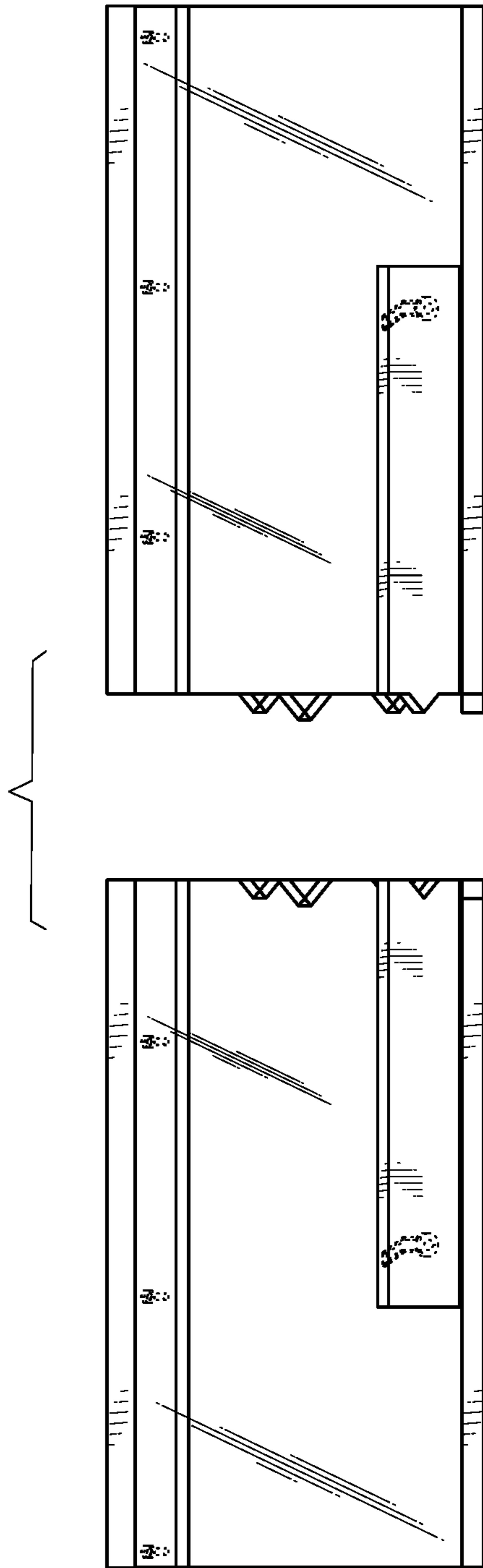


FIG. 7

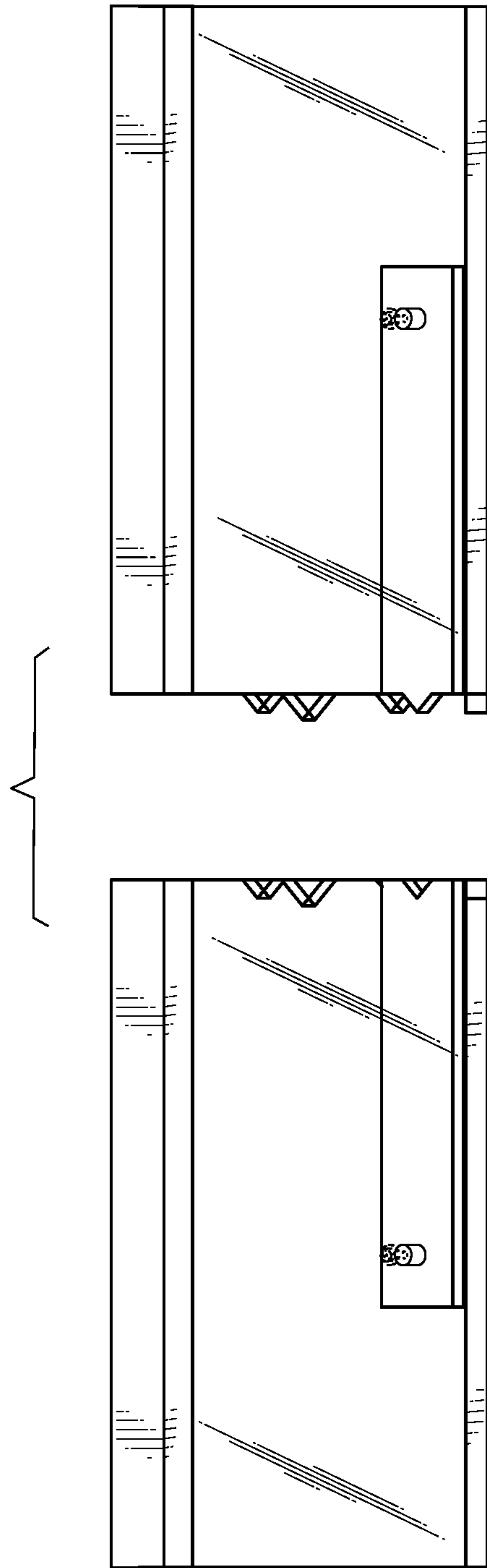


FIG. 8