



US0D1024472S

(12) **United States Design Patent** (10) **Patent No.: US D1,024,472 S**  
**Villasenor Navarro** (45) **Date of Patent: \*\* Apr. 23, 2024**

(54) **ROLLER CLEANER** 4,809,722 A \* 3/1989 Pennise ..... B44D 3/006  
68/213  
(71) Applicant: **Jorge Adrian Villasenor Navarro,** D346,958 S \* 5/1994 Olson ..... D7/591  
Kailua Kona, HI (US) 5,337,769 A \* 8/1994 Howe ..... B44D 3/006  
134/900

(72) Inventor: **Jorge Adrian Villasenor Navarro,**  
Kailua Kona, HI (US)

(Continued)

(\*\*) Term: **15 Years**

AU 2021102024 A4 \* 6/2021  
CN 200980637 Y \* 11/2007

(21) Appl. No.: **29/874,434**

(Continued)

(22) Filed: **Apr. 19, 2023**

FOREIGN PATENT DOCUMENTS

**Related U.S. Application Data**

(63) Continuation-in-part of application No. 16/939,763,  
filed on Jul. 27, 2020, now Pat. No. 11,660,908.

Paint Roller Cleaner, posted Jun. 20, 2019 [online], [retrieved Jun. 26, 2023]. Retrieved from internet, <https://www.amazon.com/Clean-Paint-Roller-Cover-Cleaning/dp/B074D5R596> (Year: 2019).\*

(51) **LOC (14) Cl.** ..... **07-05**

(Continued)

(52) **U.S. Cl.**  
USPC ..... **D32/35**

*Primary Examiner* — Khawaja Anwar  
*Assistant Examiner* — Taylor O Mortorff

(58) **Field of Classification Search**  
USPC ..... D32/7, 25, 27, 29, 30, 32, 35, 45, 54;  
D6/512, 524

(57) **CLAIM**

CPC ..... B44D 3/006; Y10S 134/90; A46B 17/06;  
B08B 3/06

The ornamental design for a roller-type cleaning apparatus,  
as shown and described.

See application file for complete search history.

**DESCRIPTION**

(56) **References Cited**

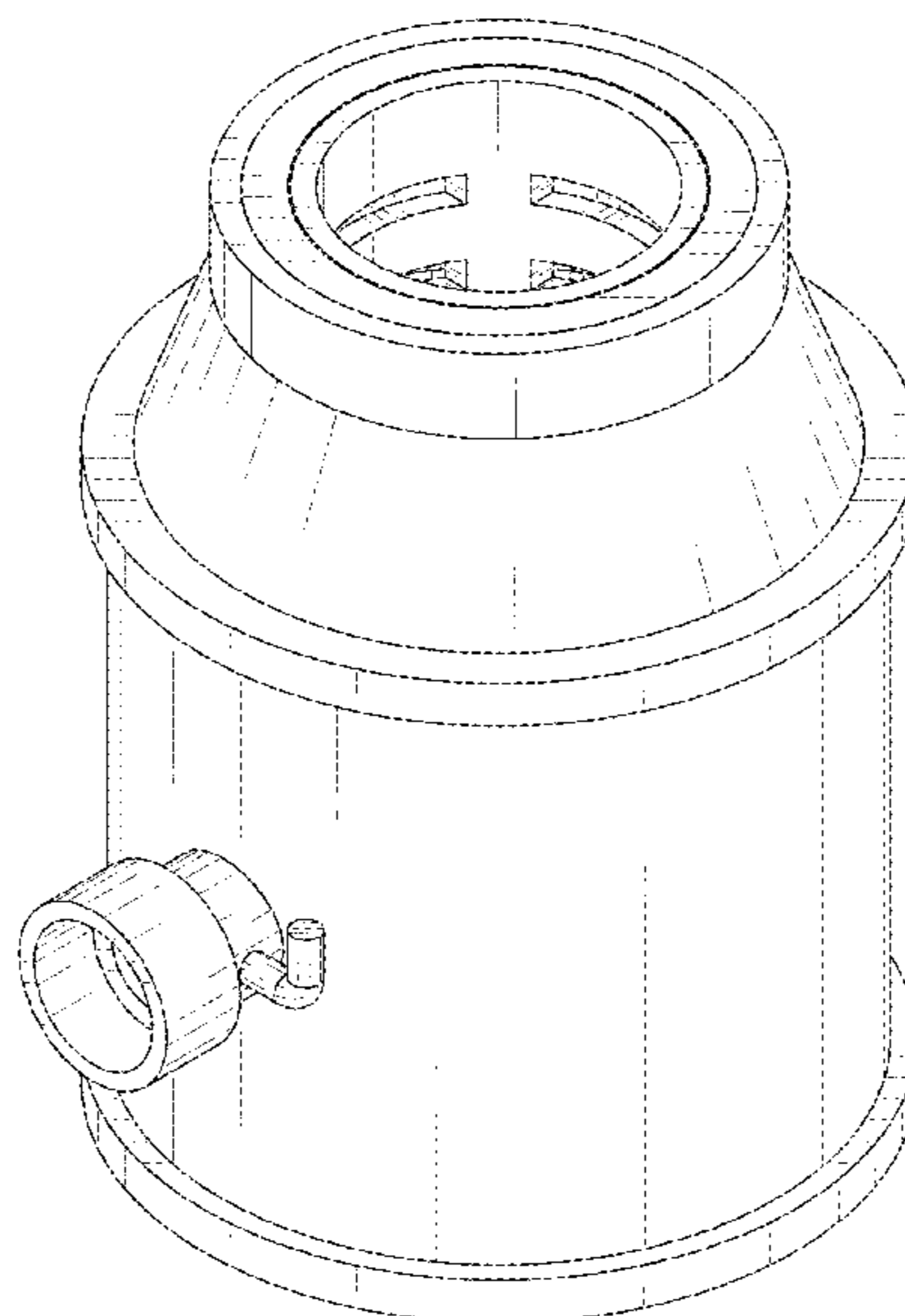
U.S. PATENT DOCUMENTS

D192,047 S \* 1/1962 Farmer ..... D32/35  
3,019,467 A \* 2/1962 Garrett ..... B44D 3/006  
15/245  
3,225,374 A \* 12/1965 Daley ..... A47L 9/0455  
15/183  
3,707,740 A \* 1/1973 Demers ..... B44D 3/006  
15/236.03  
3,897,797 A 8/1975 Wright et al.  
D279,037 S \* 5/1985 Schuler ..... D9/426  
4,517,699 A 5/1985 Petricka  
4,606,777 A \* 8/1986 Brow ..... B44D 3/006  
68/213

FIG. 1 is a top perspective view showing my new design;  
FIG. 2 is a front view thereof;  
FIG. 3 is a rear view thereof;  
FIG. 4 is a right view thereof;  
FIG. 5 is a top view thereof;  
FIG. 6 is a bottom view thereof;  
FIG. 7 is an exploded view thereof; and,  
FIG. 8 is a left view thereof.

The broken lines in the drawings illustrate portions of the  
roller-type cleaning apparatus which form no part of the  
claimed design.

**1 Claim, 8 Drawing Sheets**



(56)

References Cited

U.S. PATENT DOCUMENTS

5,402,808 A \* 4/1995 Wallis ..... B44D 3/006  
 134/900  
 D360,719 S \* 7/1995 Ring ..... D32/35  
 D363,574 S \* 10/1995 Laib ..... D32/35  
 5,505,220 A \* 4/1996 Gorecki ..... B44D 3/006  
 134/900  
 5,932,028 A 8/1999 Carrie et al.  
 5,935,342 A 8/1999 Boyd  
 6,079,429 A \* 6/2000 Zarich ..... B44D 3/006  
 134/182  
 D457,697 S \* 5/2002 Savage ..... D32/35  
 6,408,862 B1 \* 6/2002 van Rooyen ..... A46B 17/06  
 134/900  
 2002/0166578 A1 11/2002 Leblond  
 2006/0016464 A1 \* 1/2006 Dominey ..... B44D 3/006  
 134/201  
 2009/0084419 A1 \* 4/2009 Inglis ..... B44D 3/006  
 134/137  
 2011/0297560 A1 \* 12/2011 Baker ..... A46B 17/06  
 206/205  
 2013/0276836 A1 10/2013 Fahy et al.  
 2015/0202660 A1 7/2015 Ciaschi et al.  
 2015/0328657 A1 11/2015 Kenny, Jr.  
 2018/0147883 A1 5/2018 Burke  
 2019/0344205 A1 11/2019 Hicks  
 2021/0023875 A1 \* 1/2021 Villasenor Navarro .....  
 B08B 3/047

FOREIGN PATENT DOCUMENTS

CN 202235173 U \* 5/2012 ..... A47L 9/122  
 CN 108193330 A \* 6/2018 ..... D01H 5/60  
 CN 108500017 A \* 9/2018 ..... B08B 13/00  
 CN 210457531 U \* 5/2020  
 CN 115126047 A 9/2022  
 CN 115227167 A 10/2022  
 CN 217792832 U \* 11/2022  
 DE 29811212 U1 \* 9/1998  
 FR 2667931 A1 \* 4/1992 ..... B44D 3/006  
 GB 2344749 A \* 6/2000  
 GB 2359011 A \* 8/2001  
 JP 2000287910 A \* 10/2000  
 JP 2022071873 A \* 5/2022  
 WO WO-2004037559 A1 \* 5/2004  
 WO DM/227274 3/2023

OTHER PUBLICATIONS

Roller Squeegee and Keeper, posted Jun. 26, 2012 [online], [retrieved Jun. 26, 2023]. Retrieved from internet, <https://www.amazon.com/Roller-Squeegee-Keeper-combo-pack/dp/B008J16QAK> (Year: 2012).\* Pamrick Enterprises LLC Clean N Roll, <https://pamrickenterprisesllc.com/>.  
 Home Right M C800369 Roller Cleaner and Handy Painters Tool, Colors May Vary, <https://www.amazon.com/Right-C800369-Roller-Cleaner-Painters/dp/B002R4YN7S>.

\* cited by examiner

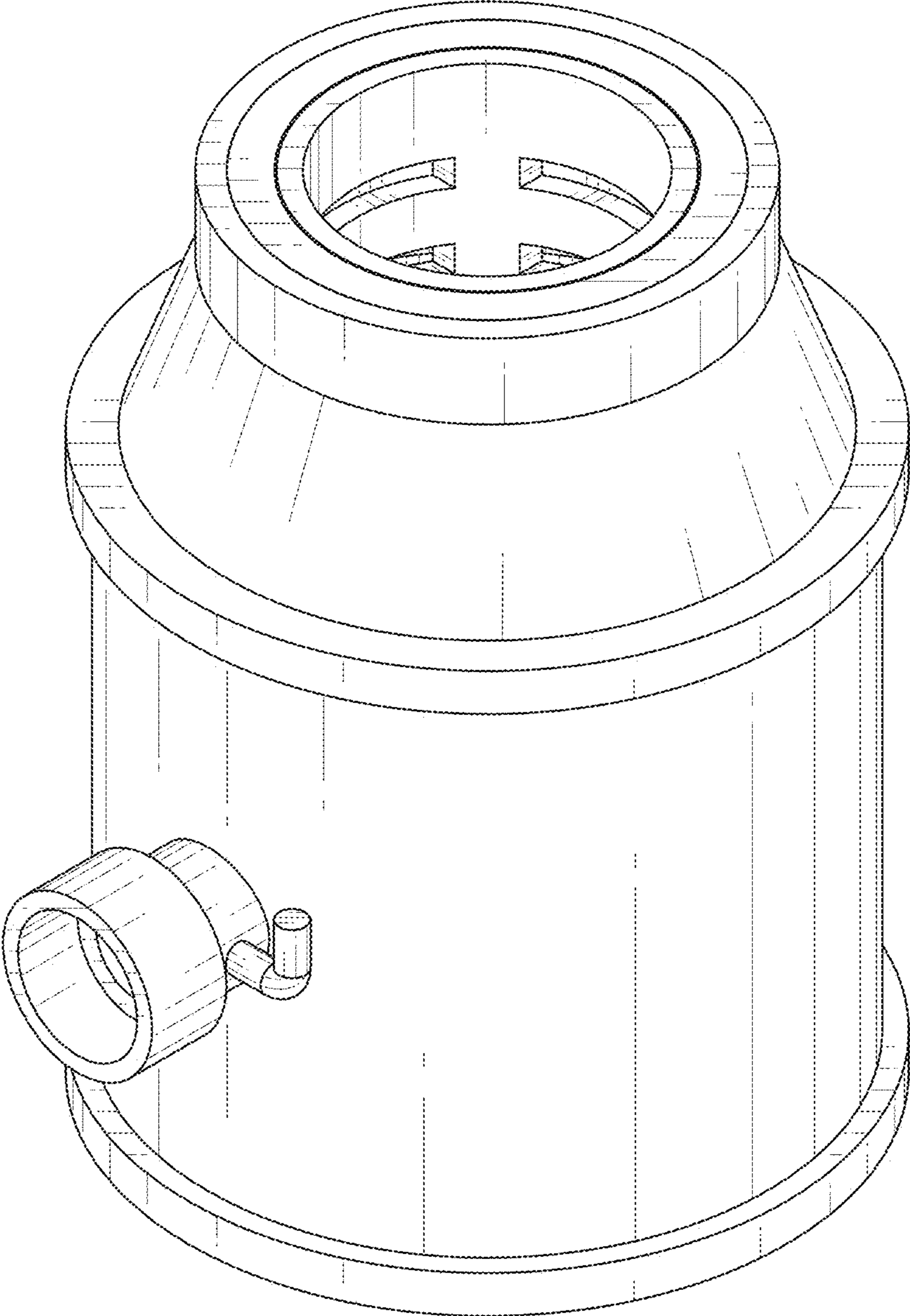


FIG. 1

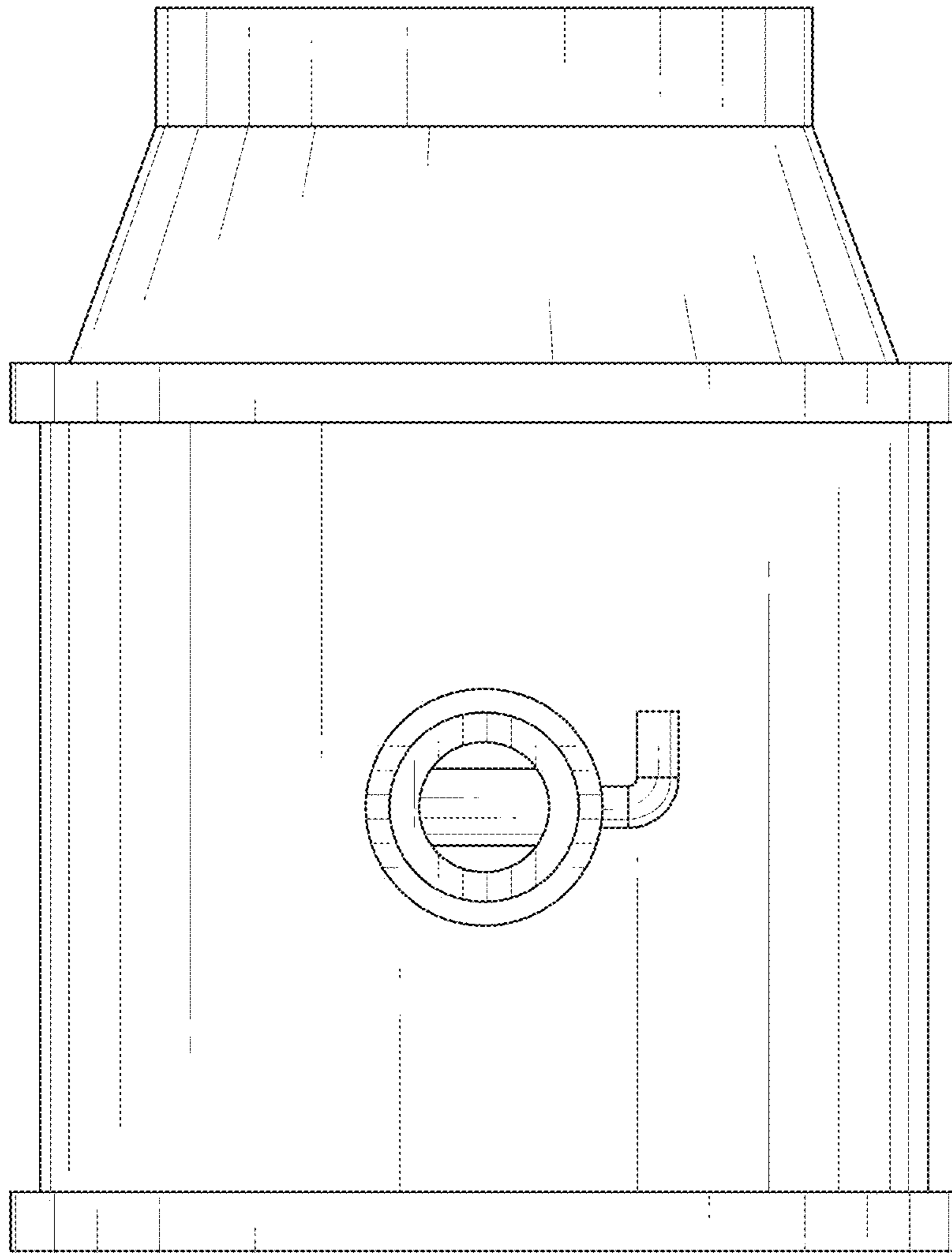


FIG. 2

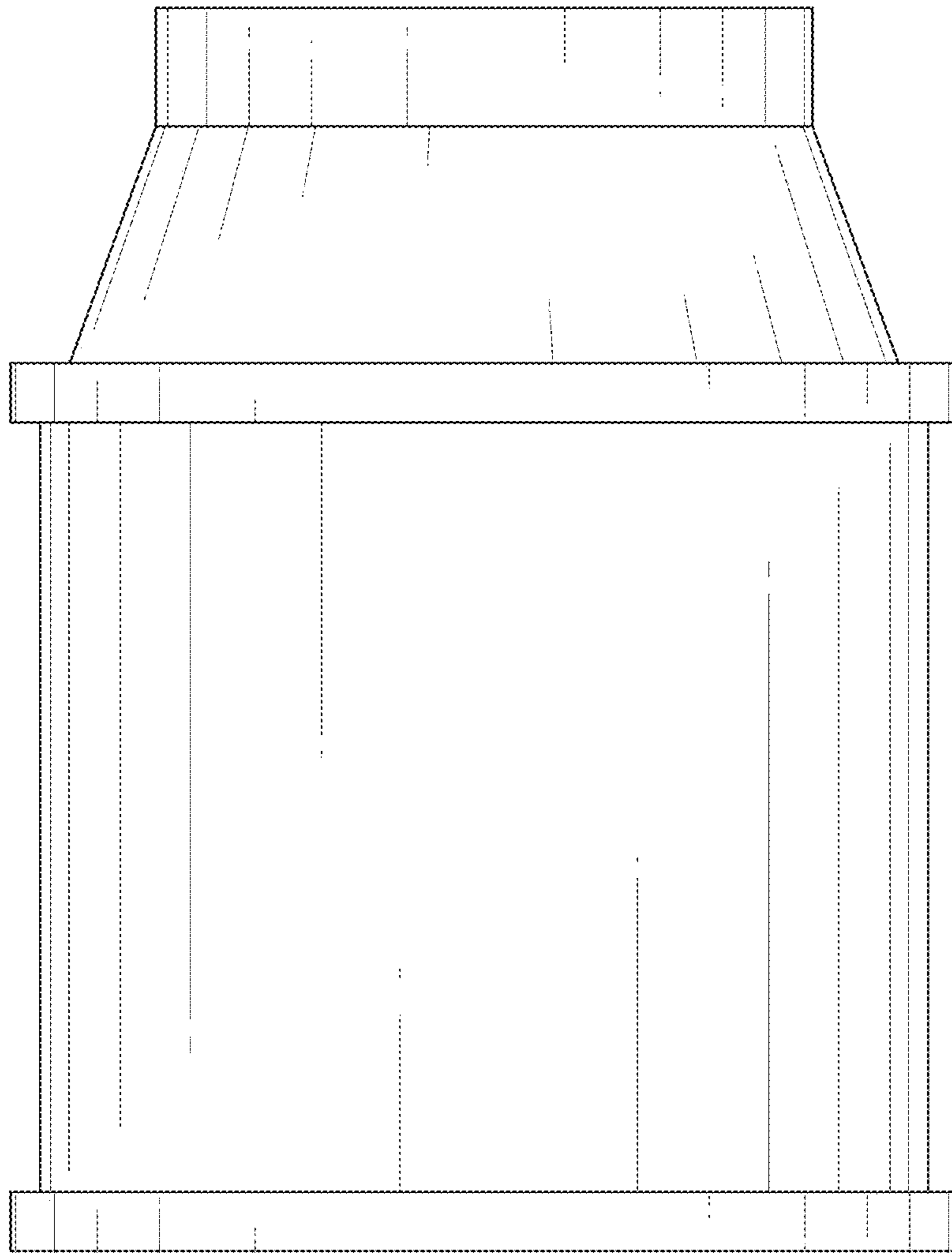


FIG. 3

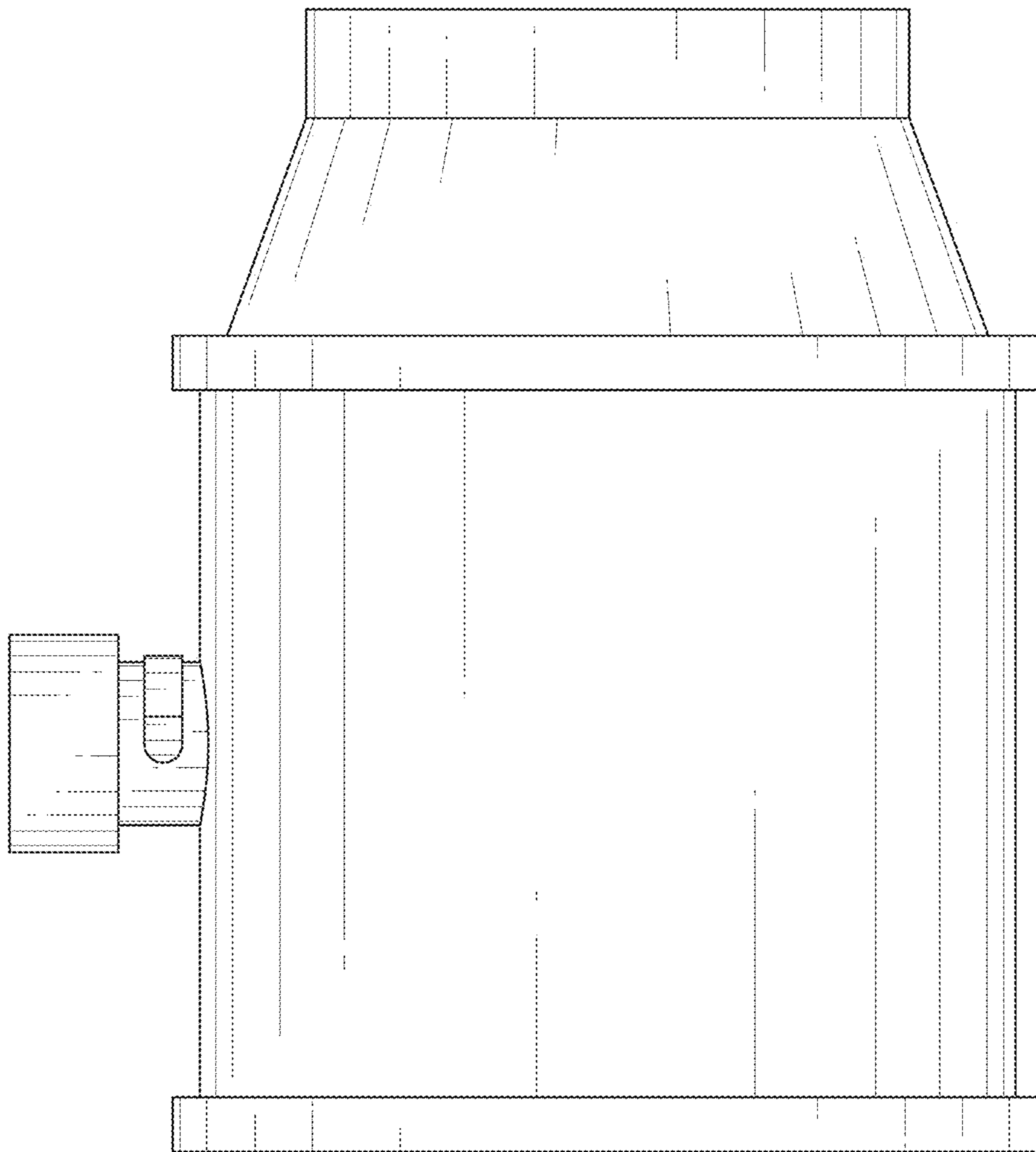


FIG. 4

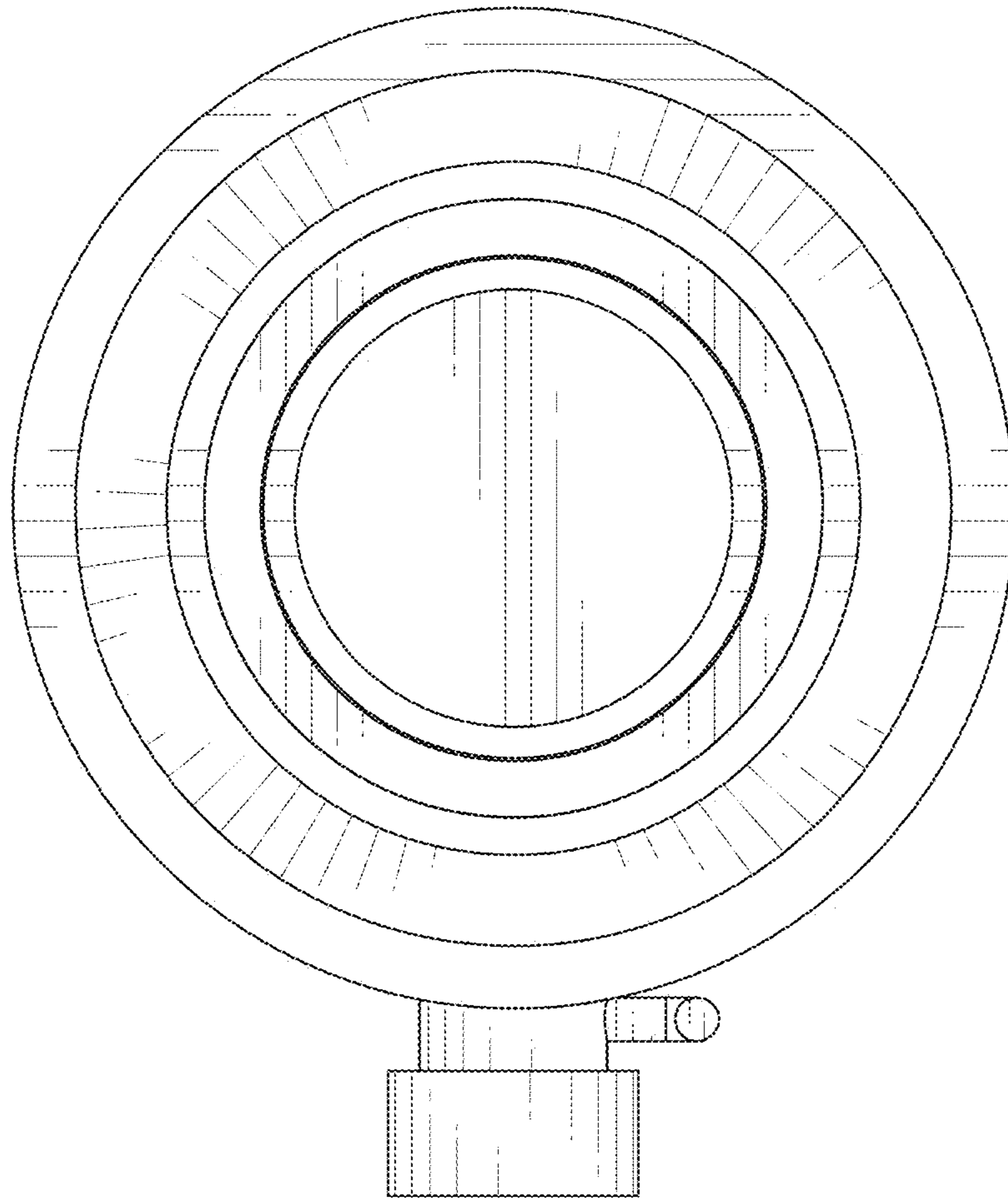


FIG. 5

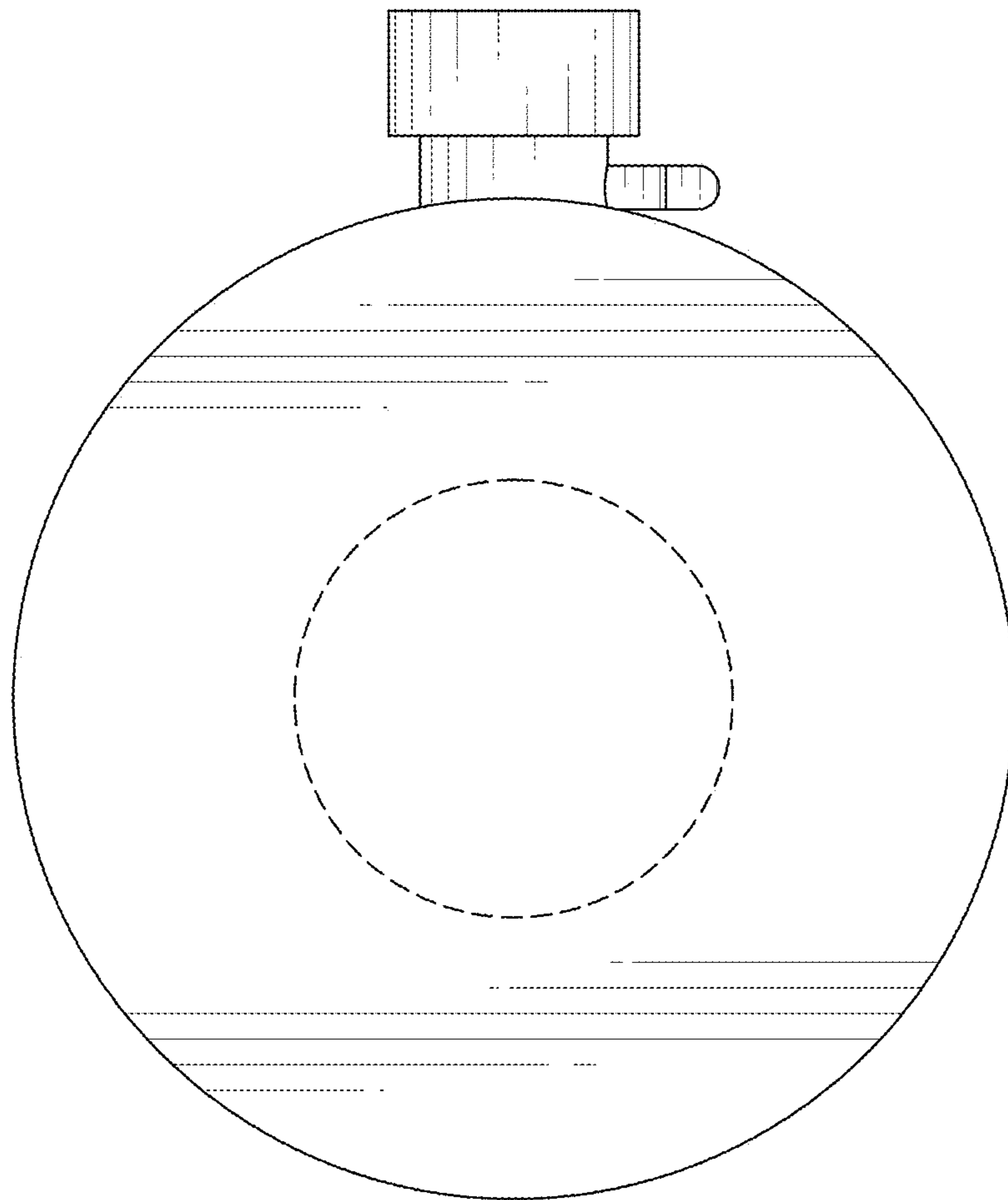


FIG. 6



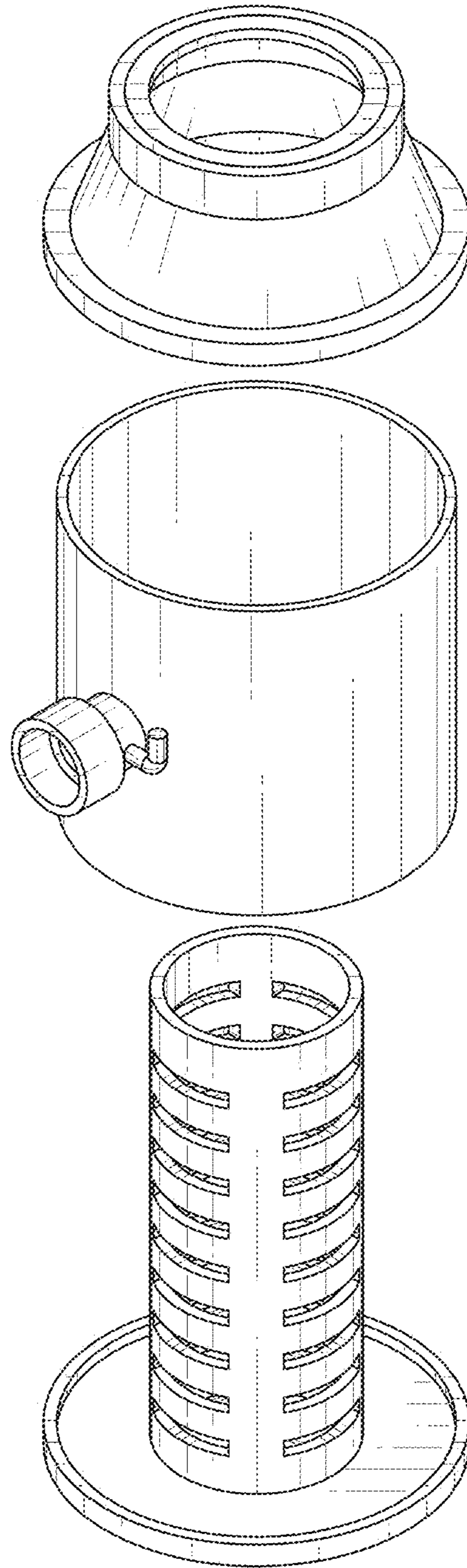


FIG. 7

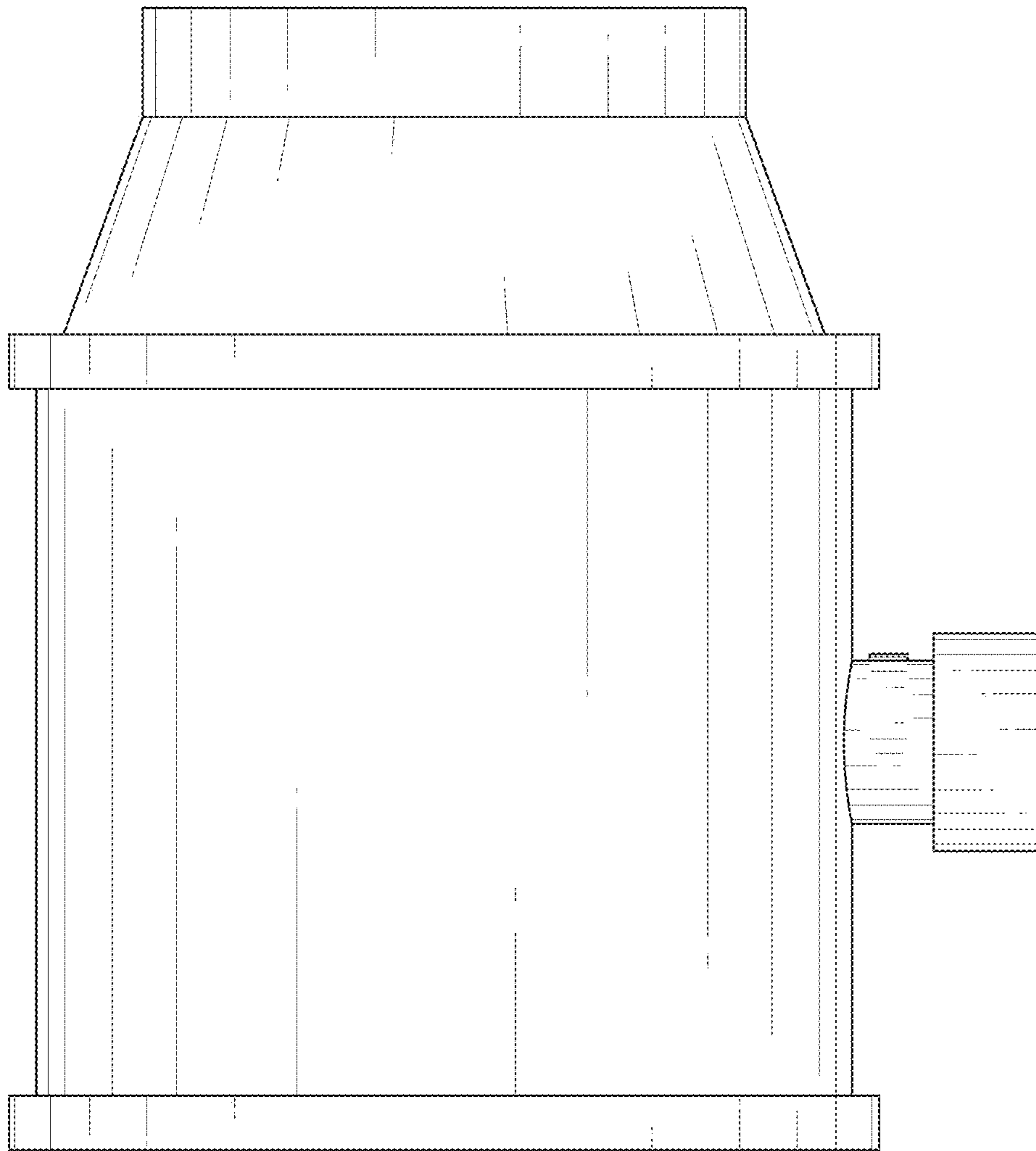


FIG. 8