

US0D1024455S

(12) **United States Design Patent**  
**White**

(10) **Patent No.:** **US D1,024,455 S**  
(45) **Date of Patent:** **\*\* Apr. 23, 2024**

(54) **CANINE DIAPER HARNESS WITH  
DETACHABLE REAR**

- (71) Applicant: **Audrey H. White**, Ocoee, FL (US)
- (72) Inventor: **Audrey H. White**, Ocoee, FL (US)
- (\*\*) Term: **15 Years**
- (21) Appl. No.: **29/865,717**
- (22) Filed: **Aug. 9, 2022**

**Related U.S. Application Data**

- (63) Continuation-in-part of application No. 29/790,305, filed on Nov. 18, 2021.
- (51) **LOC (14) Cl.** ..... **30-04**
- (52) **U.S. Cl.**  
USPC ..... **D30/152**
- (58) **Field of Classification Search**  
USPC ..... D29/101.1, 101.3, 101.4, 120.1;  
D30/144, 151, 152, 153, 199  
CPC ..... A01K 25/00; A01K 27/00; A01K 27/001;  
A01K 27/002; A01K 27/003; A01K  
27/004; A01K 27/005  
See application file for complete search history.

(56) **References Cited**

**U.S. PATENT DOCUMENTS**

- D364,713 S \* 11/1995 Daville ..... D30/144
- 6,142,105 A \* 11/2000 McKnight ..... A01K 23/00  
119/869
- 6,368,313 B1 \* 4/2002 Howard ..... A01K 23/00  
604/385.09
- 6,557,497 B1 \* 5/2003 Milligan ..... A01K 23/00  
119/854
- 6,895,901 B1 \* 5/2005 Howard ..... A01K 23/00  
119/869
- D608,055 S \* 1/2010 Rieger ..... D29/101.1  
(Continued)

**FOREIGN PATENT DOCUMENTS**

CN 306683058 \* 7/2021

**OTHER PUBLICATIONS**

Guardher Hybrid Vest Walker and Doggie Diaper Removable, available in etsy.com, customer review oldest date Sep. 22, 2022 [online], [site visited May 24, 2023], Internet URL: <https://www.etsy.com/listing/1287053283/guardher-hybrid-vest-walker-and-doggie> (Year: 2022).\*

(Continued)

*Primary Examiner* — Vy N Koenig

*Assistant Examiner* — Elizabeth Anne Glassberg

(74) *Attorney, Agent, or Firm* — Dunlap Bennett & Ludwig, PLLC; Anna L. Kinney

(57) **CLAIM**

The ornamental design for a canine diaper harness with detachable rear, as shown and described.

**DESCRIPTION**

FIG. 1 is a top rear perspective view showing a canine diaper harness with detachable rear, showing my new design in a flat condition;

FIG. 2 is a top plan view thereof;

FIG. 3 is a bottom plan view thereof;

FIG. 4 is a right side elevation view thereof;

FIG. 5 is a left side elevation view thereof;

FIG. 6 is a front elevation view thereof;

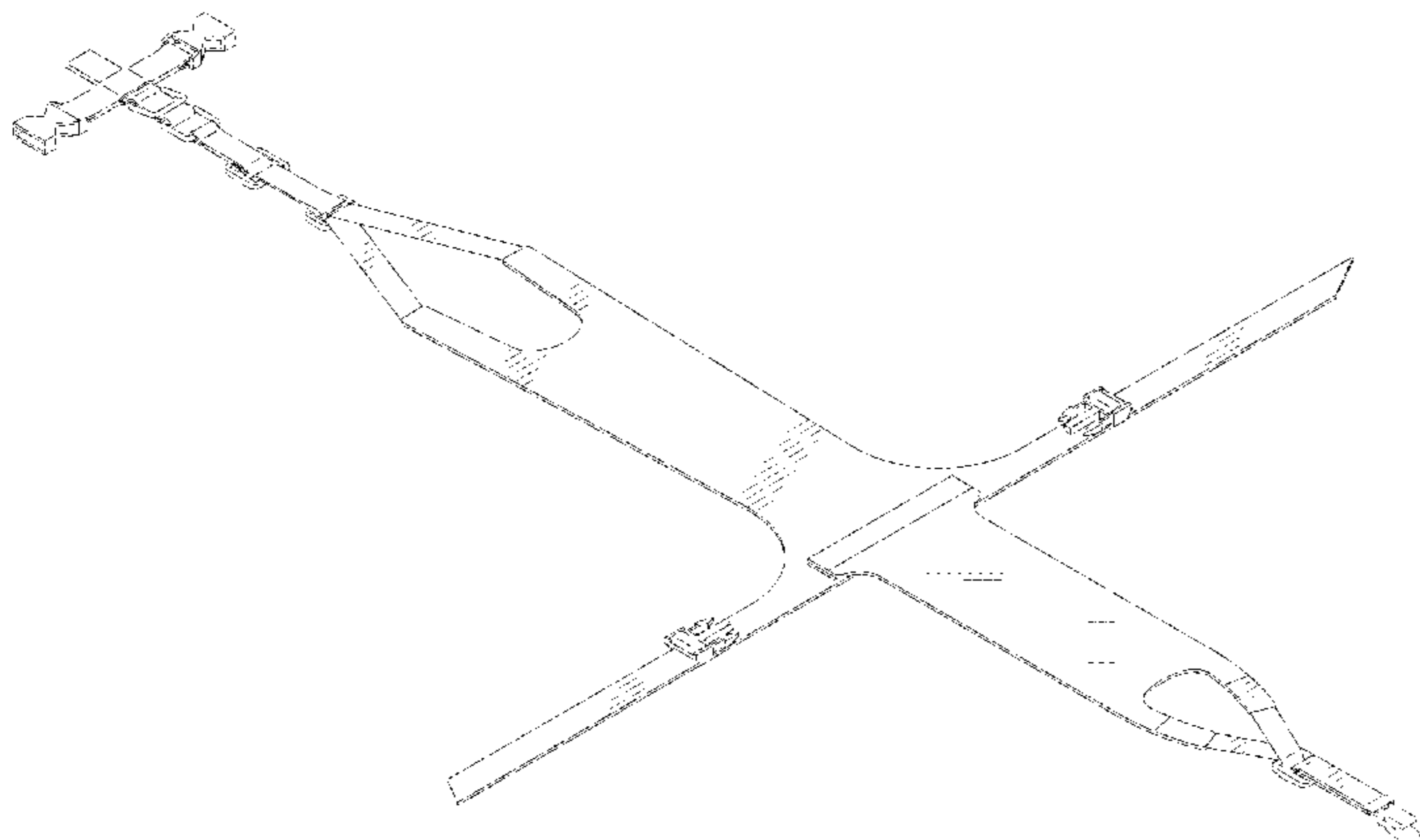
FIG. 7 is a rear elevation view thereof;

FIG. 8 is an exploded view thereof; and,

FIG. 9 is another top rear perspective view thereof, shown in use.

The broken lines shown in the drawings depict a clip portion of the article that forms no part of the claimed design and environmental structure that forms no part of the claimed design. The broken line shown in FIG. 8 depicts the order of assembly and forms no part of the claimed design.

**1 Claim, 6 Drawing Sheets**



(56)

**References Cited**

U.S. PATENT DOCUMENTS

8,992,495	B1 *	3/2015	Howell	.....	A61F 13/15	
						119/869
10,238,090	B2 *	3/2019	Zoltanski	.....	A01K 1/0152	
10,506,797	B2 *	12/2019	Hanes	.....	A01K 23/00	
D878,684	S *	3/2020	Zimmermann	.....	D30/152	
D936,914	S *	11/2021	Deng	.....	D30/152	
D968,719	S *	11/2022	Xu	.....	D30/145	
D970,826	S *	11/2022	Griffin	.....	D30/152	
D971,522	S *	11/2022	Huang	.....	D30/152	
D973,978	S *	12/2022	Xu	.....	D30/152	
D999,462	S *	9/2023	White	.....	D30/152	
2006/0196447	A1 *	9/2006	Poh-Beyerlein	.....	A01K 23/00	
						119/869
2015/0020752	A1 *	1/2015	Zimmerman	.....	A01K 27/002	
						119/856
2015/0296748	A1 *	10/2015	Sporn	.....	A01K 15/02	
						119/863
2016/0332595	A1 *	11/2016	Templeton	.....	A01K 1/0272	
2023/0200354	A1 *	6/2023	Gilmore	.....	A01K 27/002	
						119/856

OTHER PUBLICATIONS

PeeKeeper, available in PeeKeeper.com, customer review oldest date Oct. 14, 2010 [online], [site visited May 24, 2023], Internet URL: <https://peekeeper.com/shop/peekeeper/> (Year: 2010).\*

\* cited by examiner

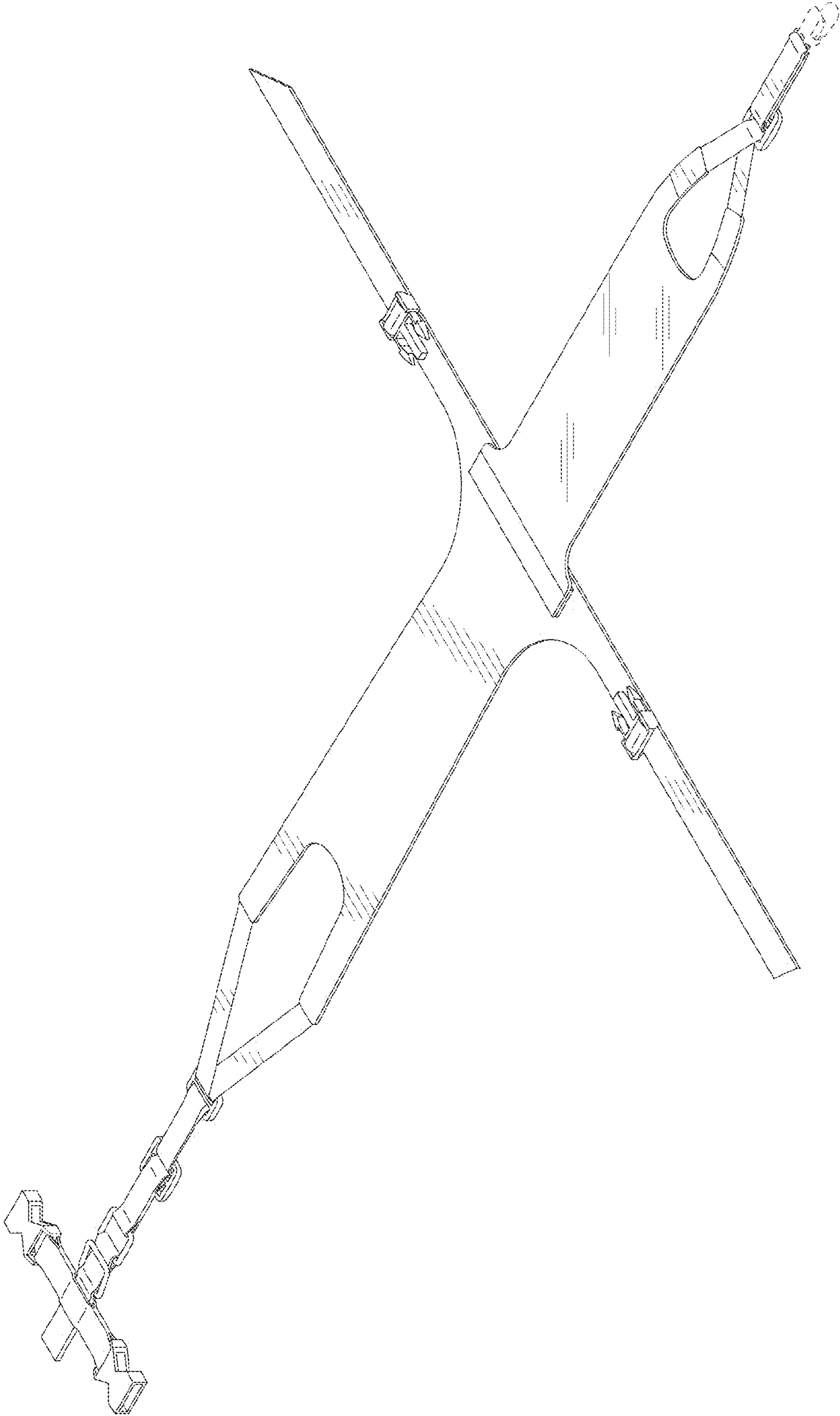


FIG.1

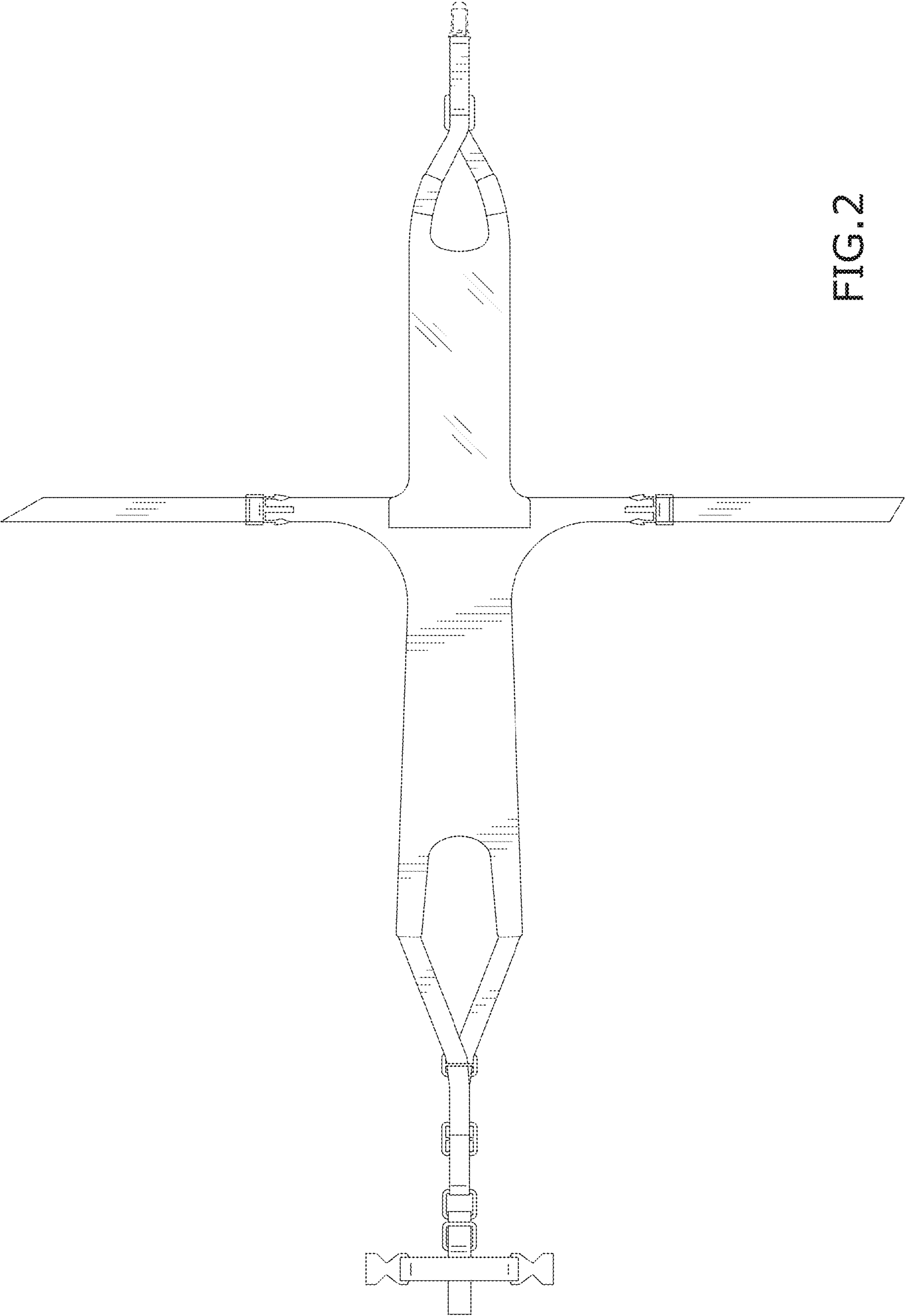


FIG. 2

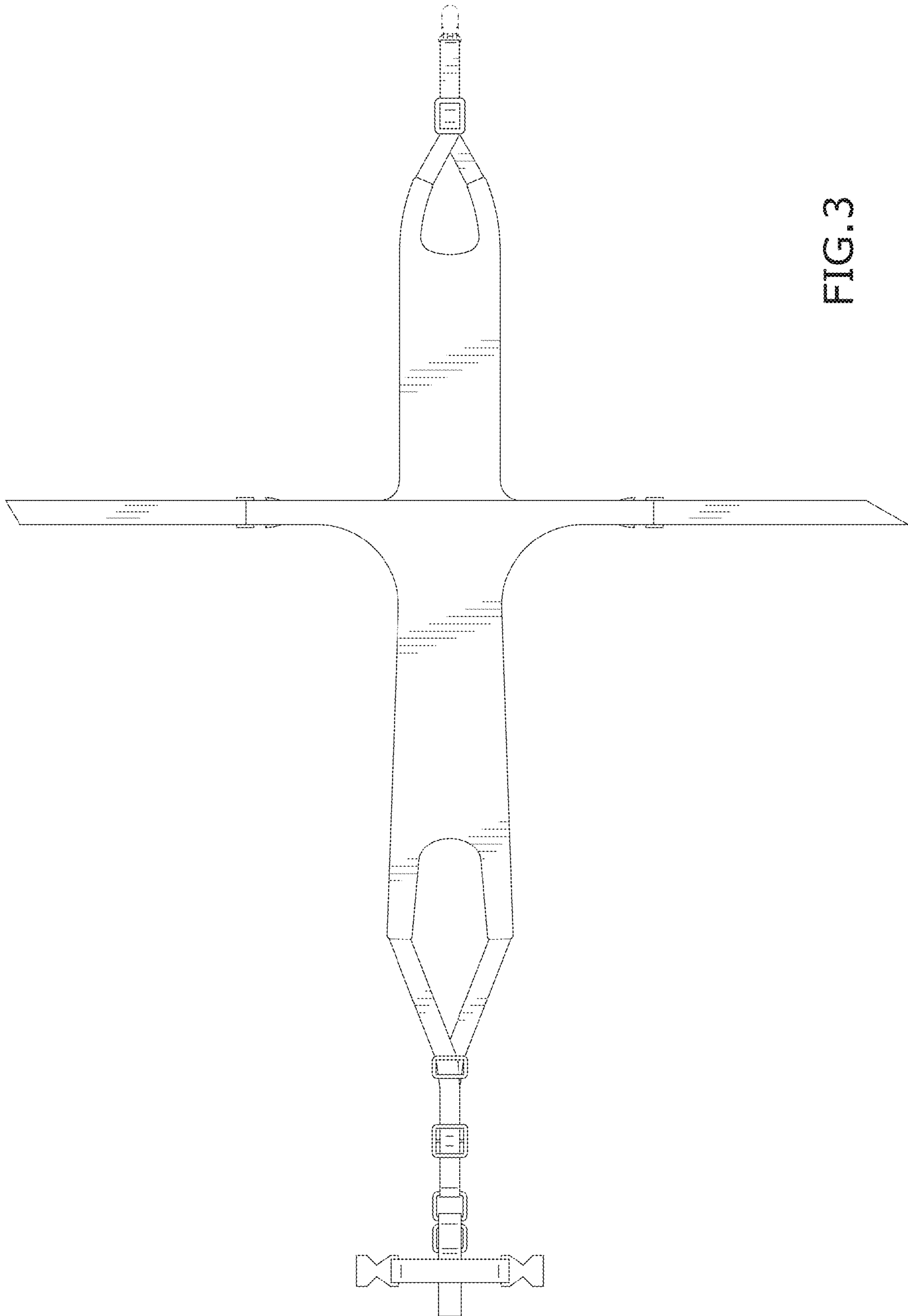


FIG. 3



FIG. 4



FIG. 5



FIG. 6

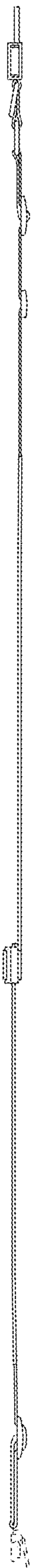
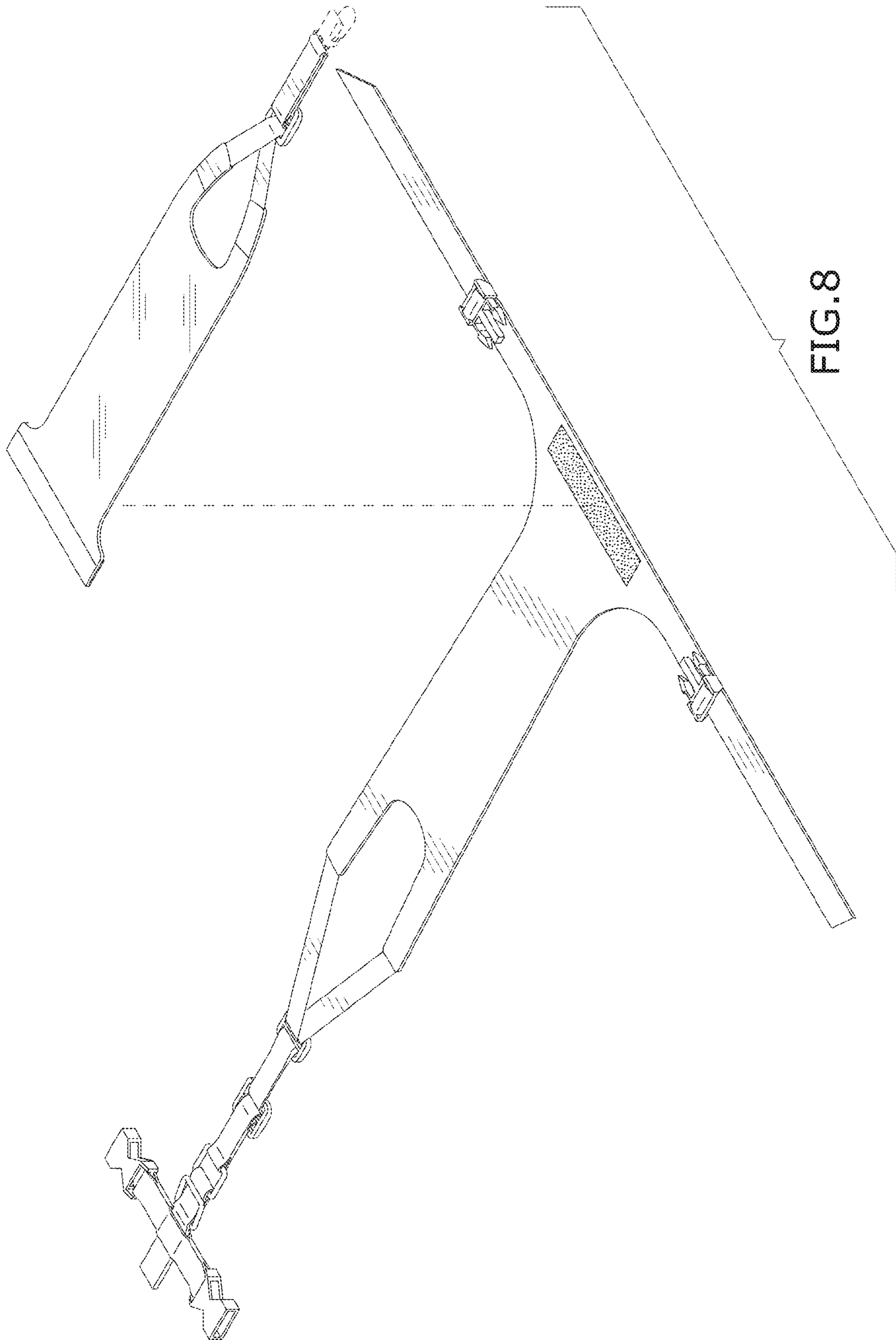


FIG. 7



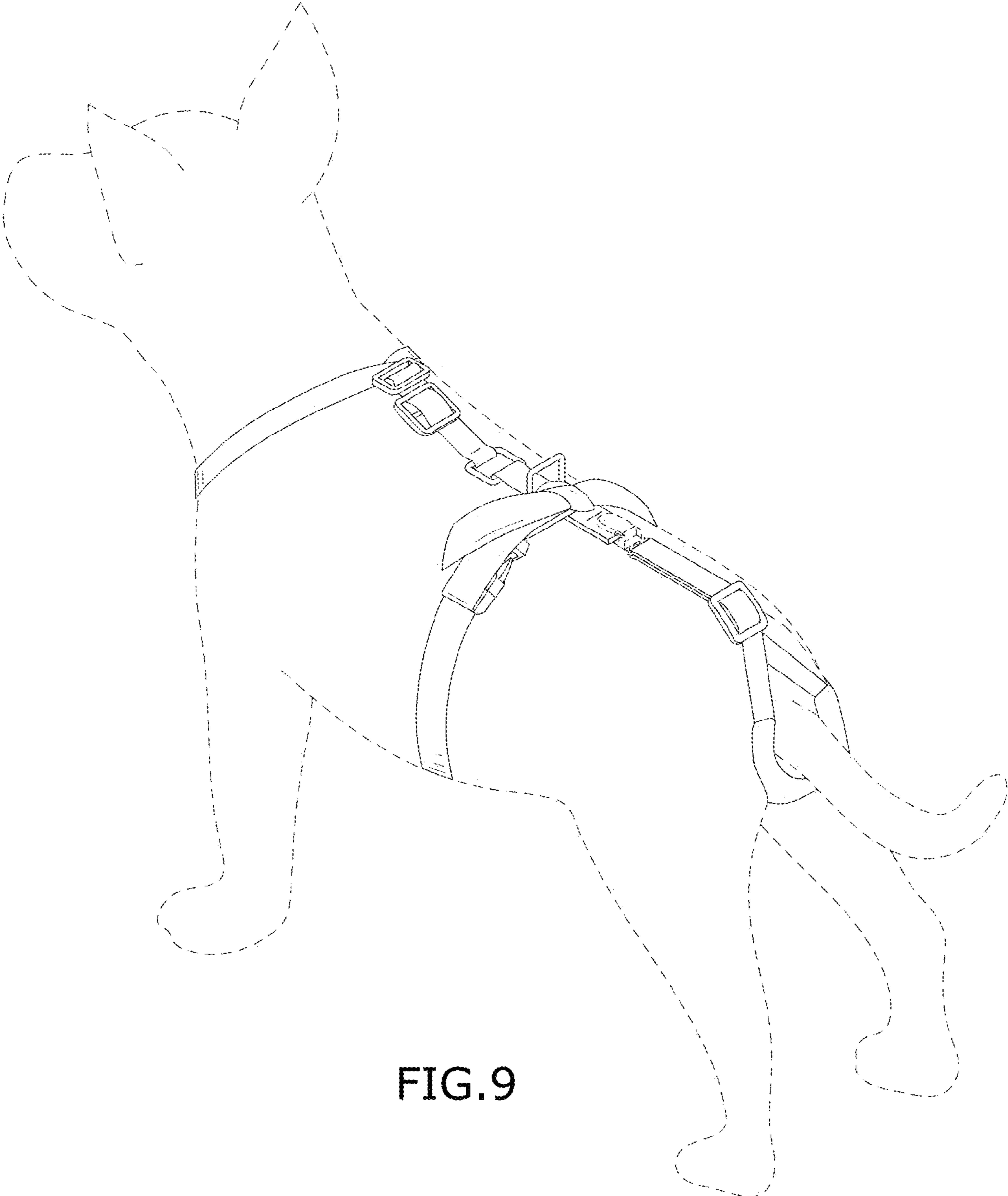


FIG. 9