



US0D1024393S

(12) **United States Design Patent** (10) **Patent No.:** **US D1,024,393 S**
Sun (45) **Date of Patent:** **** Apr. 23, 2024**

(54) **LAMP**
(71) Applicant: **Chenyao Sun**, Fuyang (CN)
(72) Inventor: **Chenyao Sun**, Fuyang (CN)
(**) Term: **15 Years**
(21) Appl. No.: **29/847,395**
(22) Filed: **Jul. 25, 2022**
(51) **LOC (14) Cl.** **26-05**
(52) **U.S. Cl.**
USPC **D26/63; D26/65; D26/118**
(58) **Field of Classification Search**
USPC D26/24, 44, 61, 63, 65, 67, 71, 72, 88,
D26/104, 118
CPC F21S 8/00; F21S 8/02; F21S 8/03; F21S
8/04; F21S 8/06; F21S 8/026; F21S
8/033; F21S 8/036; F21S 8/043; F21V
21/02; F21V 21/06; F21V 21/14; F21V
21/28; F21V 21/30; F21V 21/145; F21V
21/406; F21V 21/0965; F21W 2131/10;
F21W 2131/40; F21W 2131/101; F21W
2131/103; F21W 2131/105; F21W
2131/107; F21W 2131/402; F21W
2131/406; F21W 2131/1005; F21Y
2105/10; F21Y 2105/16
See application file for complete search history.

(56) **References Cited**
U.S. PATENT DOCUMENTS
5,984,490 A * 11/1999 Leen F21V 15/02
362/240
7,152,997 B1 * 12/2006 Kovacic F21V 21/06
362/249.05
D545,987 S * 7/2007 Guercio D26/71

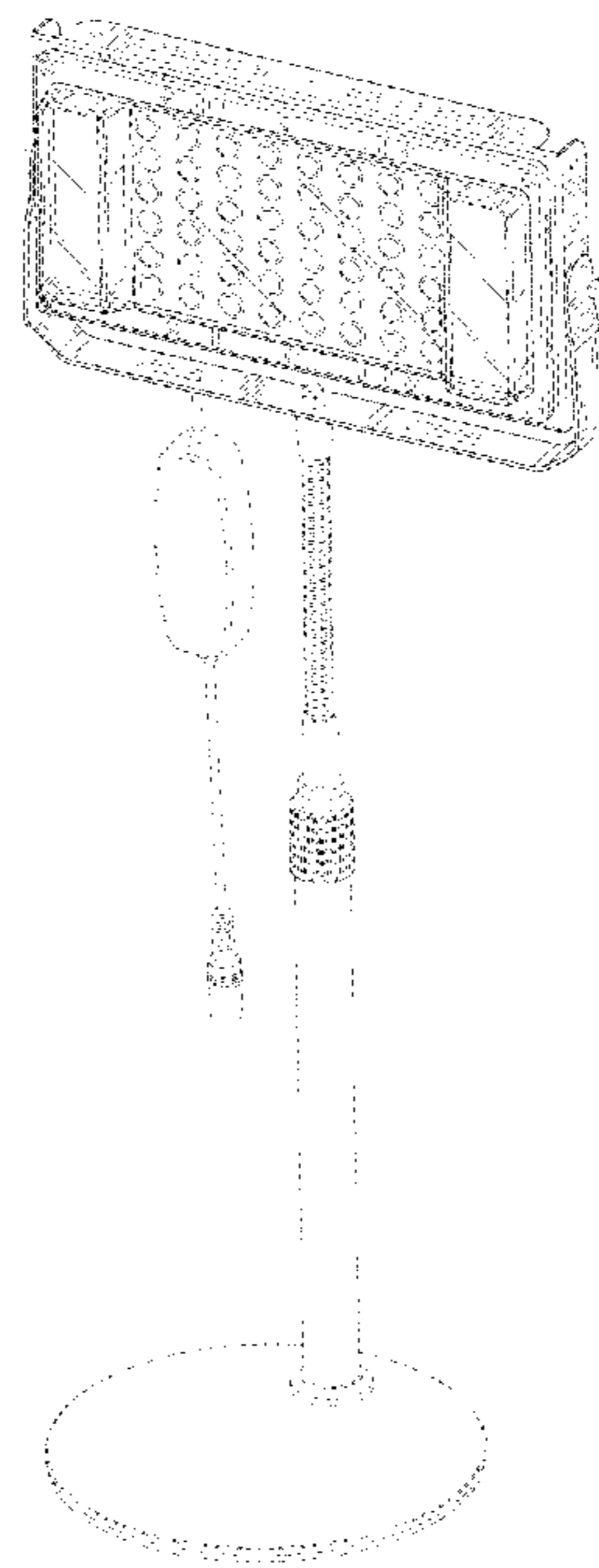
D650,935 S * 12/2011 Beghelli D26/118
D675,771 S * 2/2013 Yamada D26/118
D690,857 S * 10/2013 Blincoe D26/63
D711,577 S * 8/2014 Zhan D26/65
D713,983 S * 9/2014 Yang D26/63
9,121,554 B2 * 9/2015 Shimizu F21V 5/045
D789,582 S * 6/2017 Peard D26/61
D820,489 S * 6/2018 Zhang D26/44
D834,232 S * 11/2018 Green D26/65
D861,946 S * 10/2019 Green D26/65
D887,605 S * 6/2020 Zhan D26/61
D901,055 S * 11/2020 Zeng D26/63
D901,058 S * 11/2020 Li D26/63
D990,013 S * 6/2023 Yu D26/24
2013/0322099 A1 * 12/2013 Yasuji Fletcher F21V 21/30
362/427
2018/0119940 A1 * 5/2018 Zhou F21V 31/03

* cited by examiner
Primary Examiner — Clint A Samuel

(57) **CLAIM**
The ornamental design for a lamp, as shown and described.

DESCRIPTION
FIG. 1 is a front and top perspective view of a lamp, showing my new design;
FIG. 2 is a rear and bottom perspective view thereof;
FIG. 3 is a front elevation view thereof;
FIG. 4 is a rear elevation view thereof;
FIG. 5 is a left side elevation view thereof;
FIG. 6 is a right side elevation view thereof;
FIG. 7 is a top plan view thereof;
FIG. 8 is a bottom plan view thereof; and,
FIG. 9 is another perspective view thereof, shown in an alternative position.
The broken lines in the figures illustrate portions of the lamp that form no part of the claimed design.

1 Claim, 9 Drawing Sheets



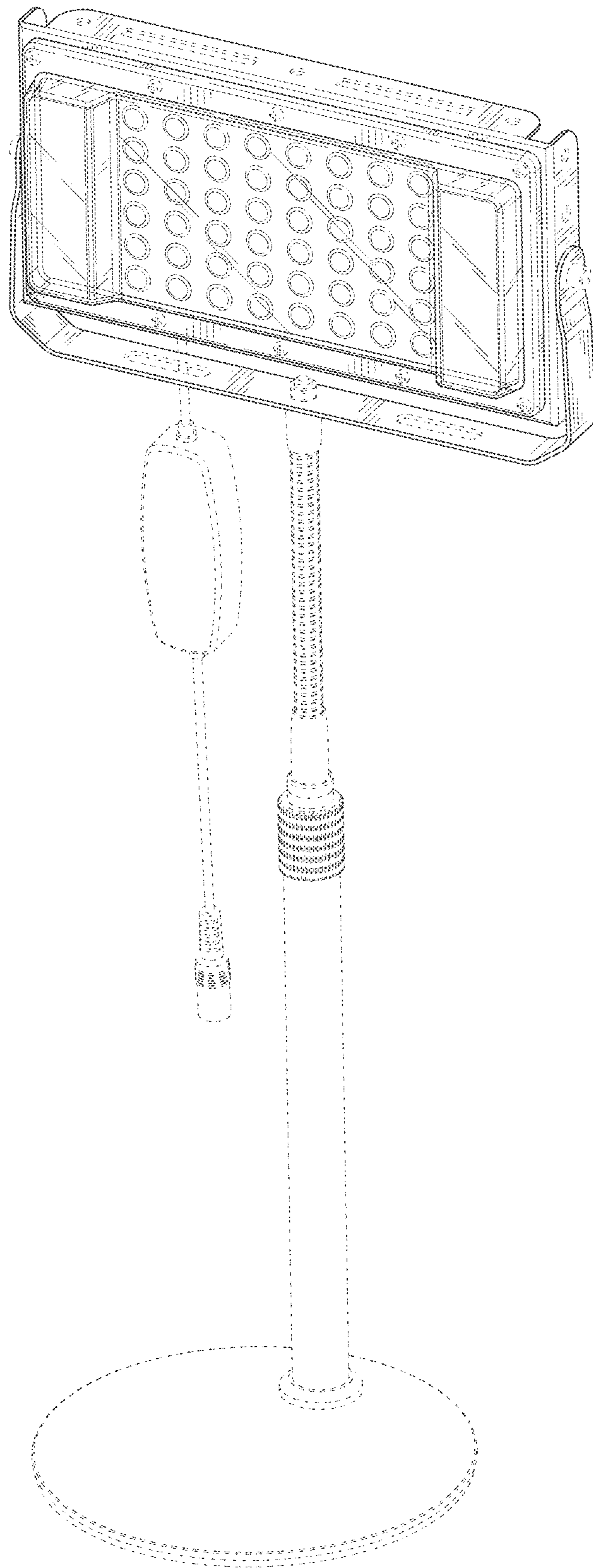


FIG. 1

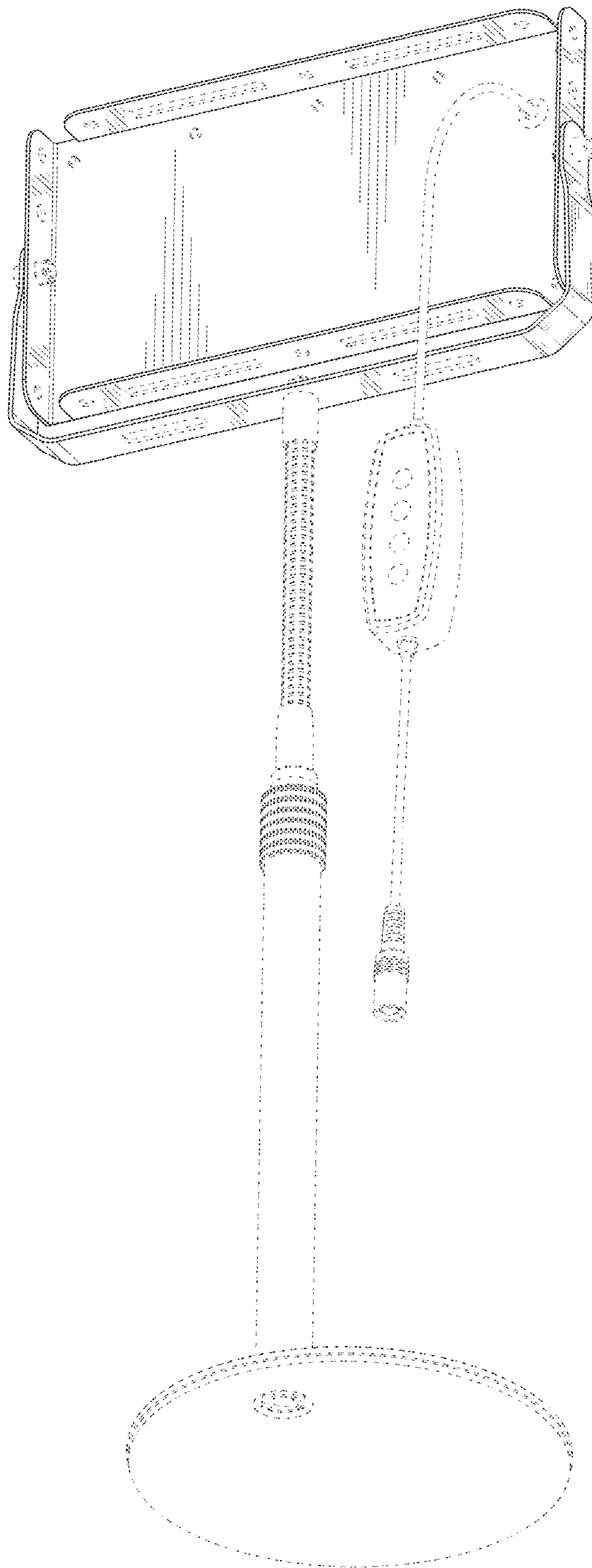


FIG. 2

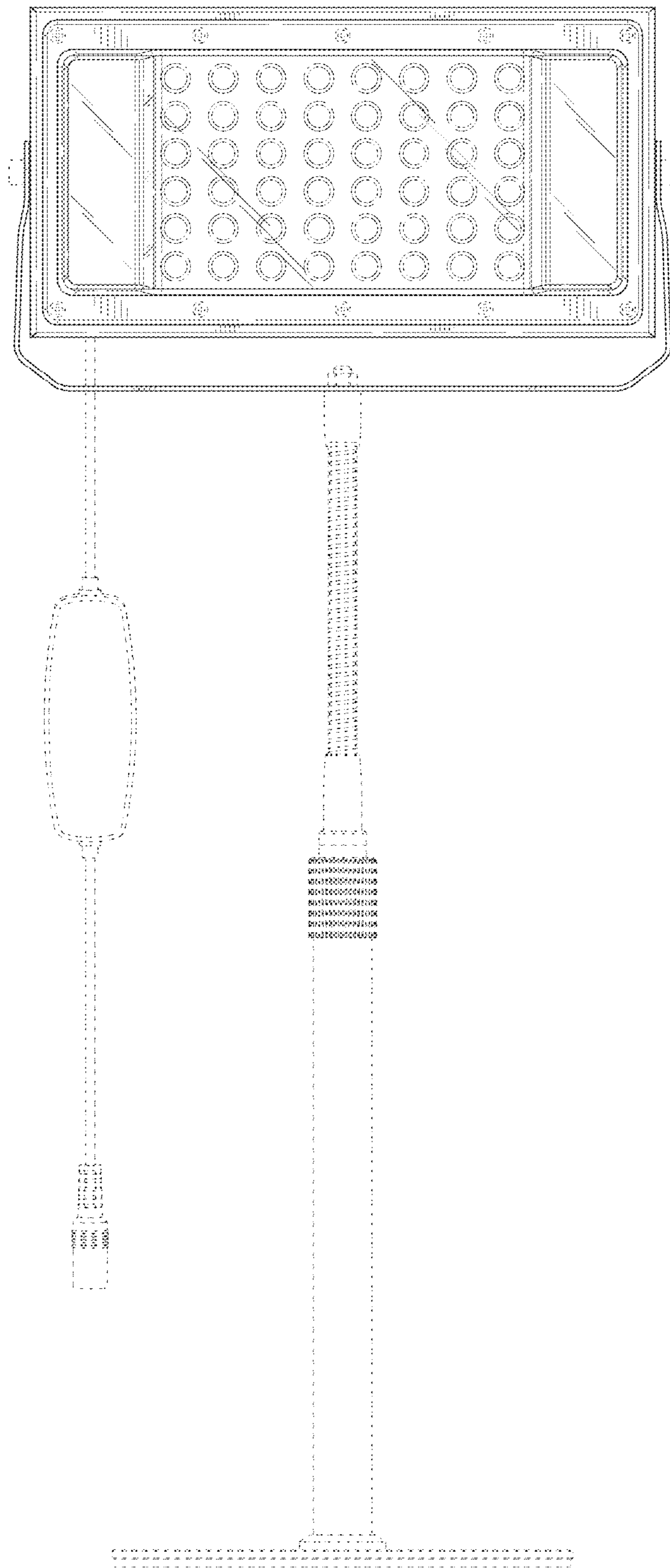


FIG. 3

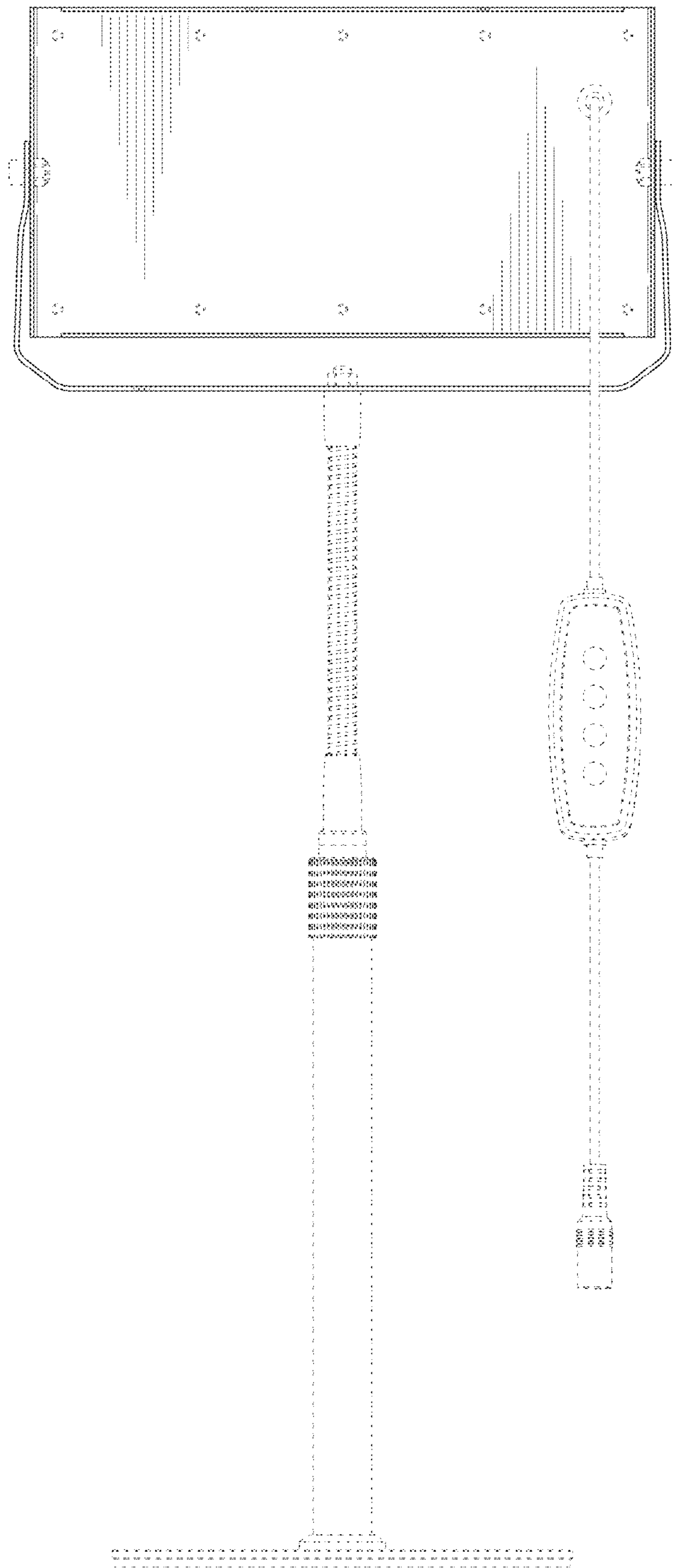


FIG. 4

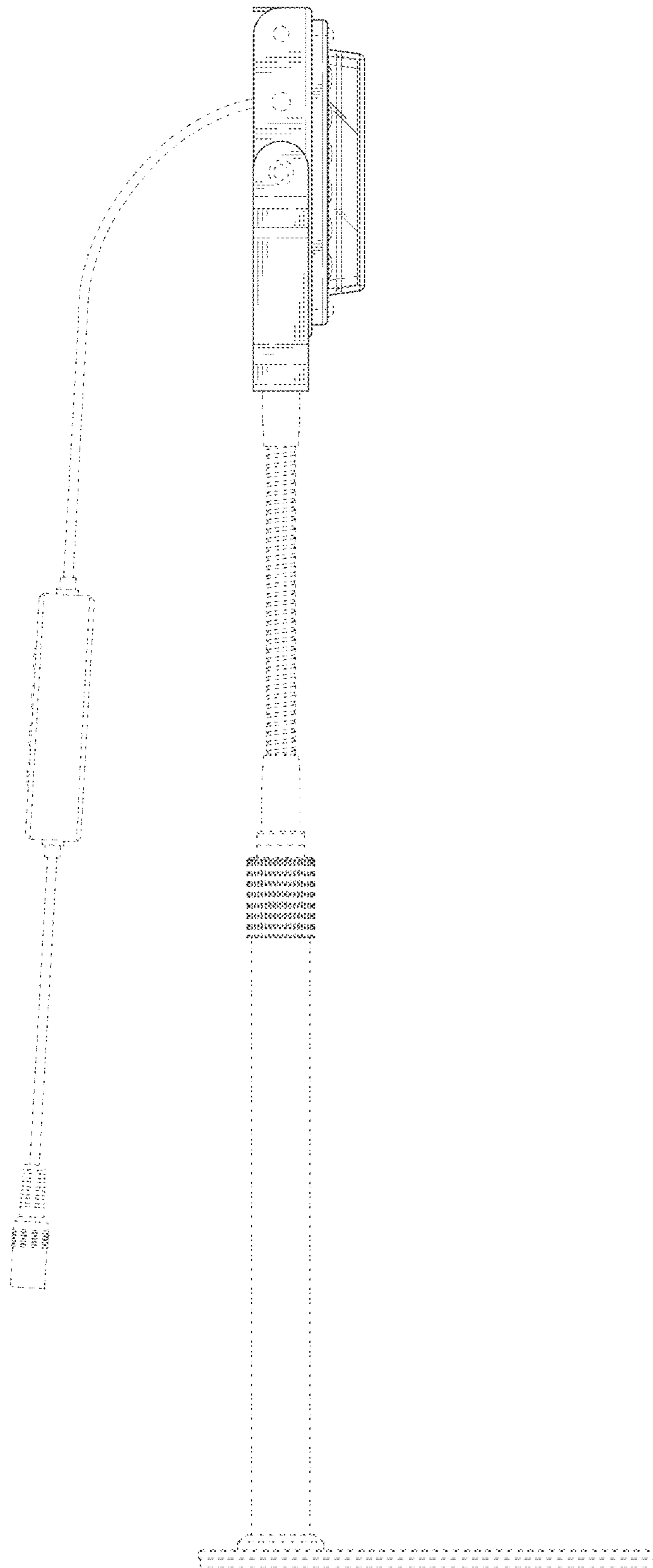


FIG. 5

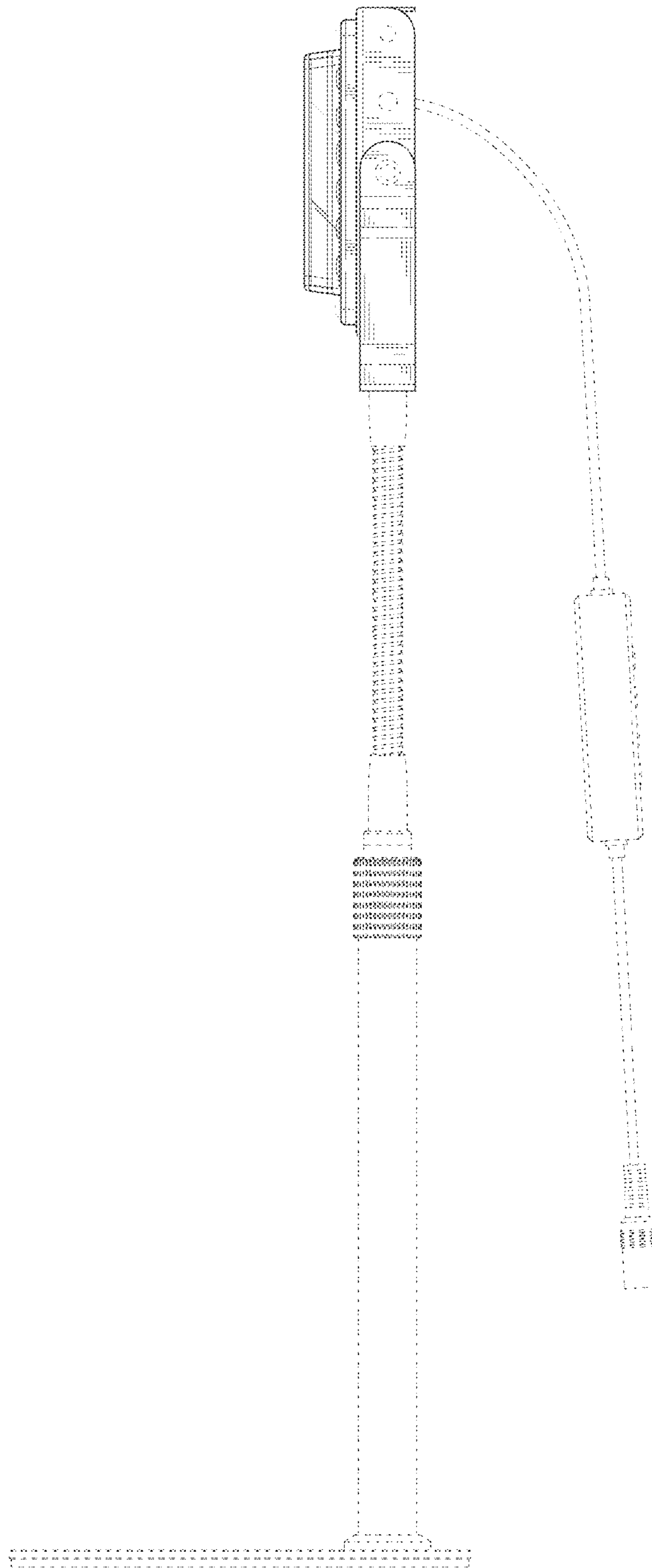


FIG. 6

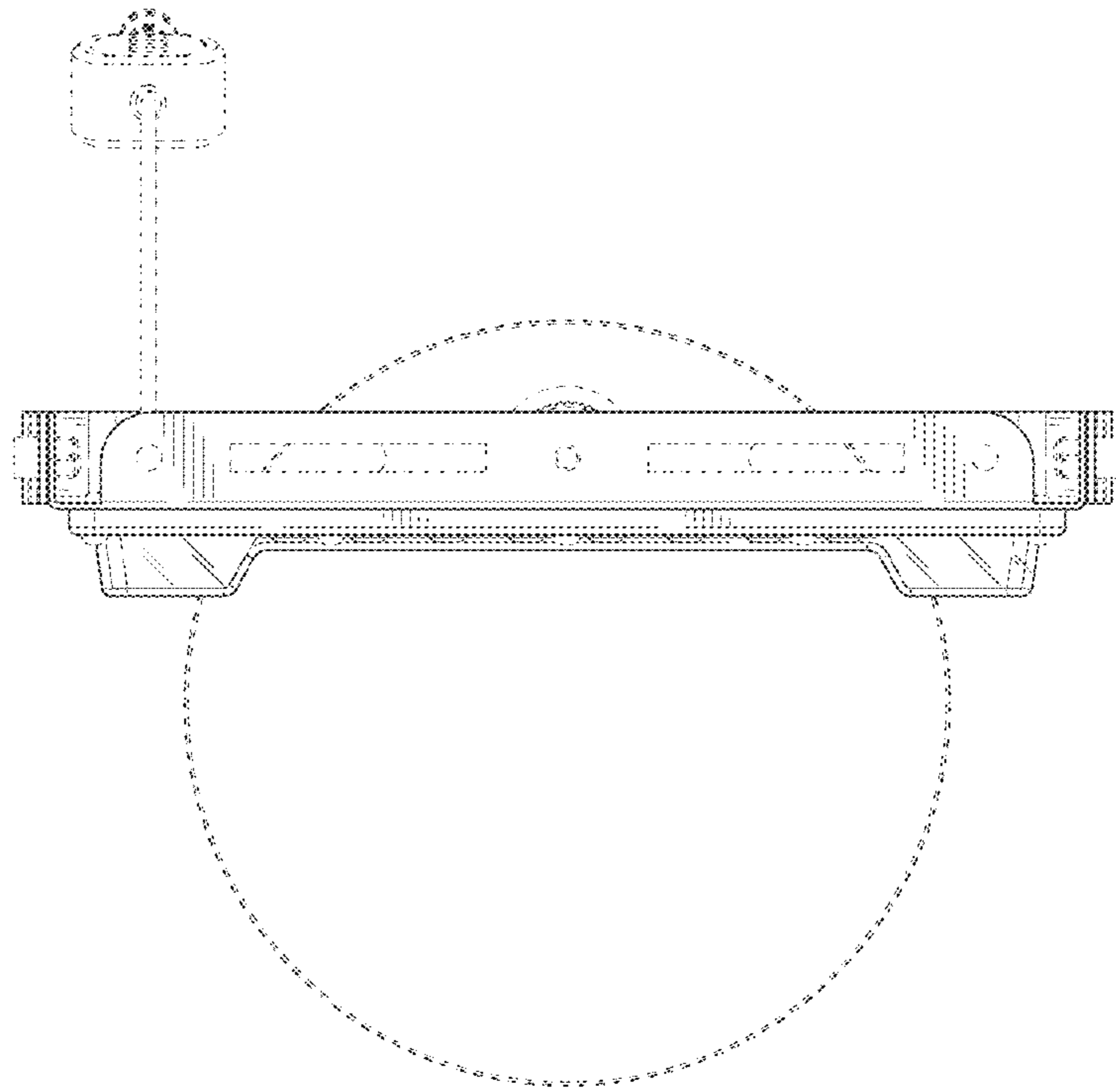


FIG. 7

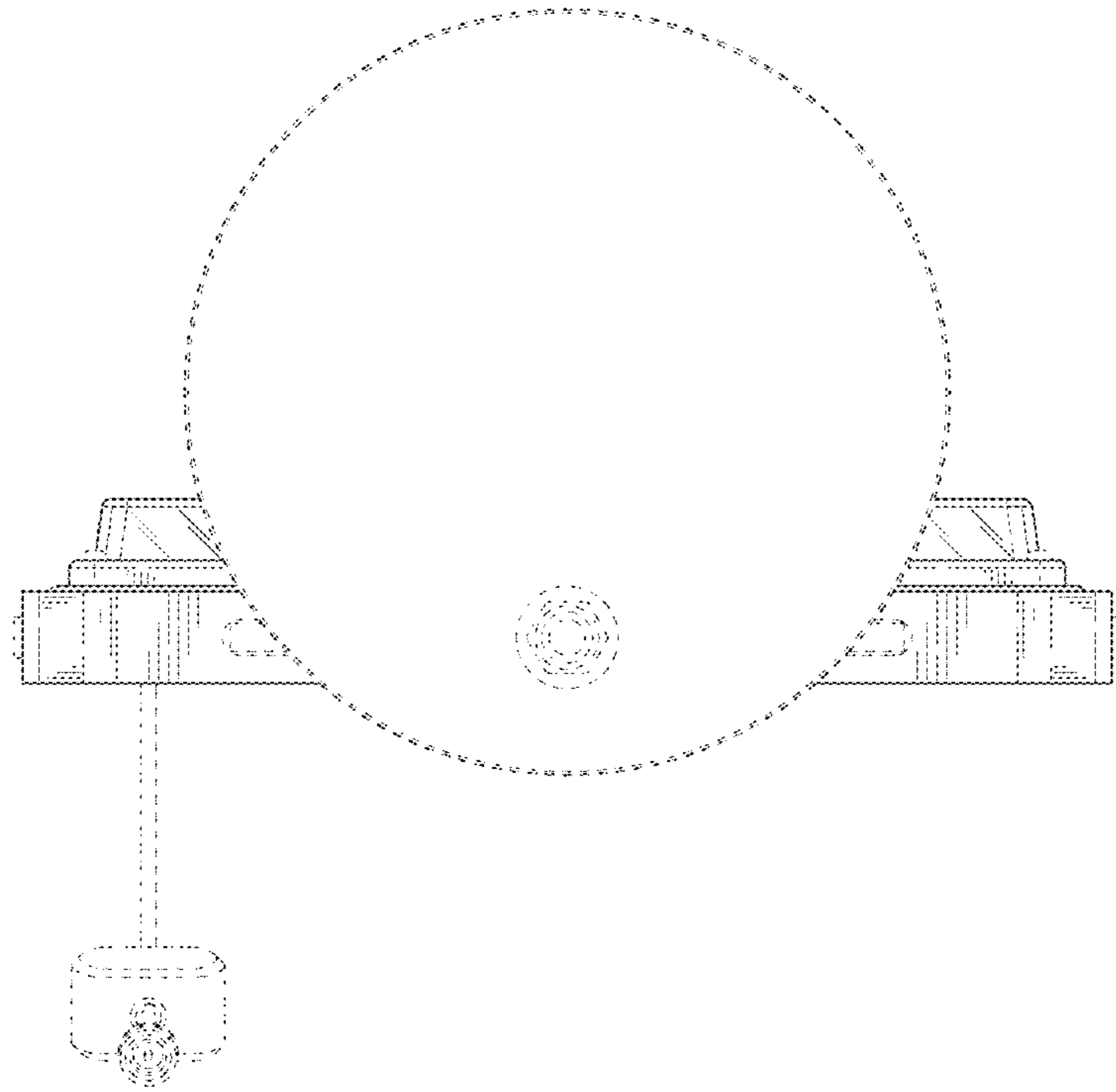


FIG. 8

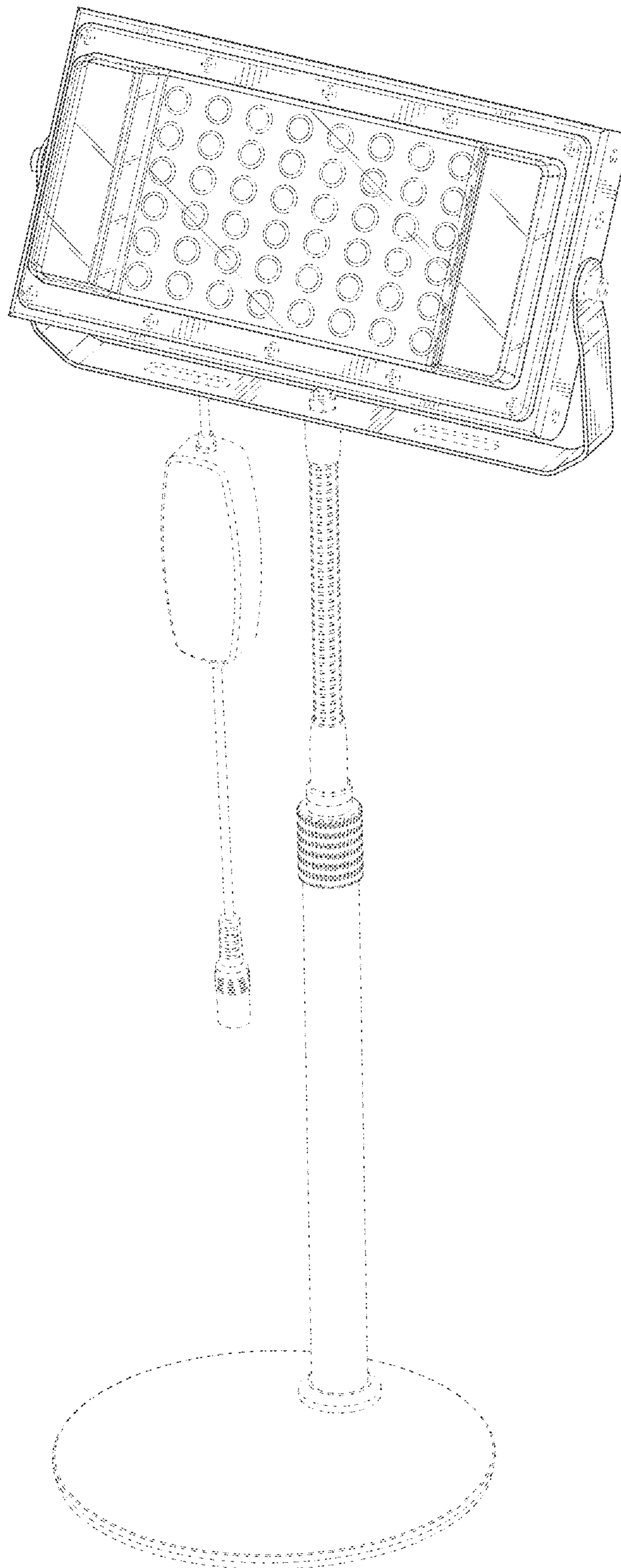


FIG. 9