



US0D1024377S

(12) **United States Design Patent** (10) **Patent No.:** **US D1,024,377 S**
Alepalli et al. (45) **Date of Patent:** **** Apr. 23, 2024**

(54) **VEHICLE TAILLAMP**
(71) Applicant: **GM GLOBAL TECHNOLOGY OPERATIONS LLC**, Detroit, MI (US)
(72) Inventors: **Shyam K. Alepalli**, Troy, MI (US); **Raphael M. Molina**, Royal Oak, MI (US)
(73) Assignee: **GM Global Technology Operations LLC**, Detroit, MI (US)
(**) Term: **15 Years**
(21) Appl. No.: **29/859,932**

D683,872 S 6/2013 Munson et al.
D686,359 S 7/2013 McCabe et al.
D686,360 S 7/2013 Davis
D686,767 S 7/2013 Davis
D686,774 S 7/2013 McCabe et al.
D692,598 S 10/2013 Davis
D694,439 S 11/2013 Davis
D694,443 S 11/2013 Mackay
D694,921 S 12/2013 Mackay
D703,847 S 4/2014 MacKay
D731,098 S 6/2015 Thole et al.
D731,099 S 6/2015 Thole et al.
D735,911 S 8/2015 O'Donnell et al.
D735,919 S 8/2015 Duff et al.
D736,451 S 8/2015 Smith et al.
D736,971 S 8/2015 Duff et al.
D737,481 S 8/2015 Thole et al.
D744,158 S 11/2015 Willett et al.

(Continued)

(22) Filed: **Nov. 15, 2022**
(51) **LOC (14) Cl.** **26-06**
(52) **U.S. Cl.**
USPC **D26/28**
(58) **Field of Classification Search**
USPC D26/28, 29, 30, 31, 32, 33, 34, 35, 36,
D26/37, 38, 39, 2, 24, 25, 26, 122, 120,
D26/123; D12/181, 182, 196, 107, 86,
D12/114
CPC F21S 48/10; F21S 48/225; F21S 48/1266;
F21S 48/1388; F21S 43/00; F21S 43/15;
F21S 43/237; F21S 41/32; F21S 41/36;
F21S 41/50; F21S 41/26; F21S 41/00
See application file for complete search history.

Primary Examiner — Sheryl Lane
Assistant Examiner — Kathryn Elizabeth Chambers

(57) **CLAIM**

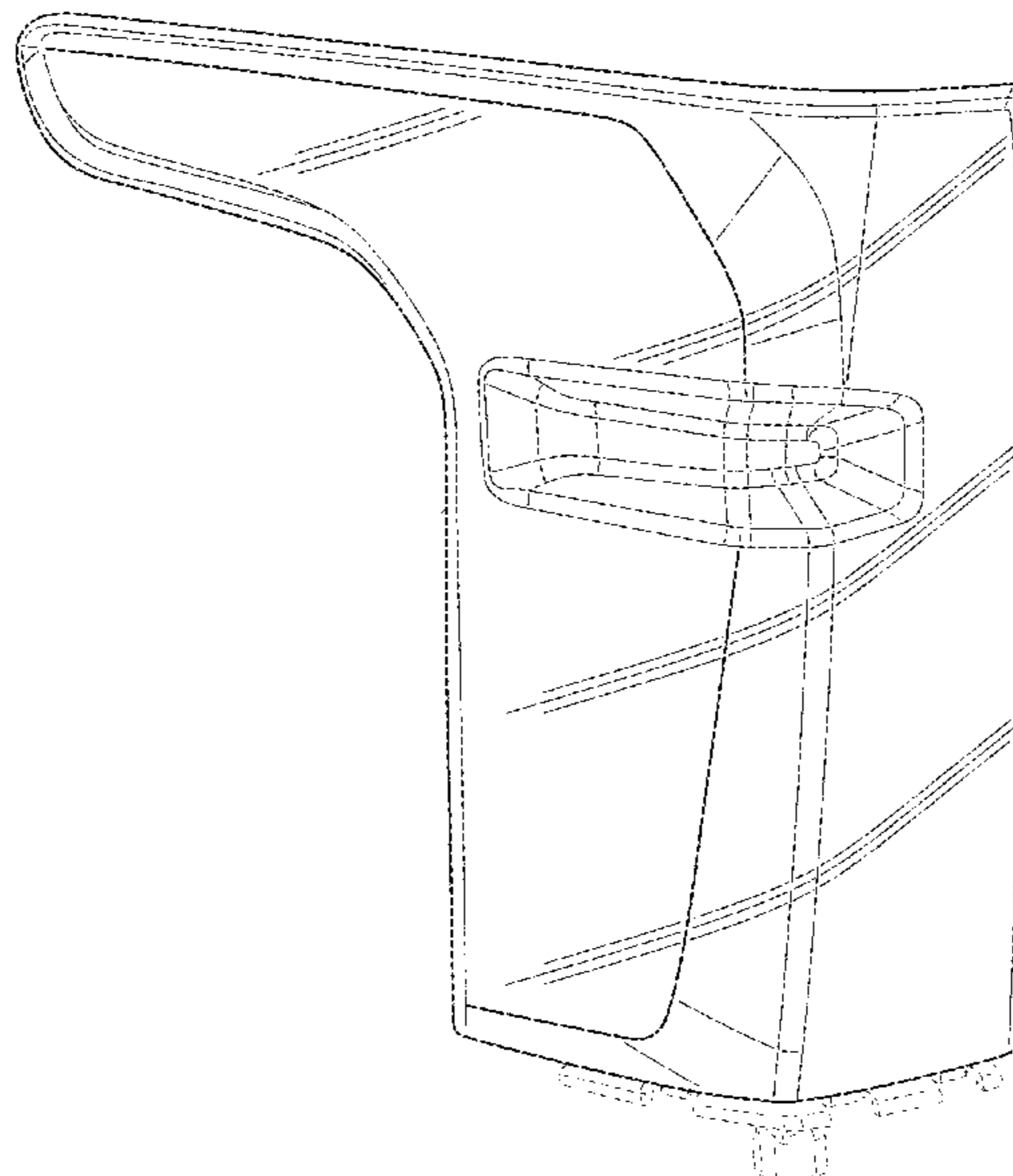
The ornamental design for a vehicle taillamp, as shown and described.

DESCRIPTION

FIG. 1 is a front and left side perspective view of a vehicle taillamp showing our new design;
FIG. 2 is a front elevation view of the vehicle taillamp of FIG. 1;
FIG. 3 is a left side elevation view thereof;
FIG. 4 is a right side elevation view thereof;
FIG. 5 is a back elevation view thereof;
FIG. 6 is a top plan view thereof; and,
FIG. 7 is a bottom plan view thereof.
The broken lines in the drawings depict portions of the vehicle taillamp that form no part of the claimed design. The mirror image of the vehicle taillamp is claimed, but not shown.

(56) **References Cited**
U.S. PATENT DOCUMENTS
D644,773 S 9/2011 Karras et al.
D655,837 S 3/2012 Karras et al.
D661,830 S 6/2012 de Queiroz
D670,840 S 11/2012 McCabe et al.
D670,841 S 11/2012 Duff et al.
D683,869 S 6/2013 Schmeckpeper
D683,870 S 6/2013 Schmeckpeper
D683,871 S 6/2013 Munson et al.

1 Claim, 7 Drawing Sheets



(56)

References Cited

U.S. PATENT DOCUMENTS

D745,712 S	12/2015	O'Donnell et al.	D844,184 S	3/2019	Whitla et al.
D745,719 S	12/2015	Boniface et al.	D844,185 S	3/2019	Hochmuth
D745,725 S	12/2015	McMahan et al.	D844,186 S	3/2019	Smith et al.
D745,726 S	12/2015	McMahan et al.	D845,518 S	4/2019	Kozub
D746,496 S	12/2015	Loeb	D845,519 S	4/2019	Zipfel
D747,514 S	1/2016	McMahan et al.	D846,769 S	4/2019	Koo et al.
D747,515 S	1/2016	McMahan et al.	D846,770 S	4/2019	Kozub
D747,819 S	1/2016	Thole et al.	D846,771 S	4/2019	Zipfel
D749,246 S	2/2016	Thole et al.	D846,772 S	4/2019	Pinazzo et al.
D749,249 S	2/2016	Thole et al.	D847,390 S	4/2019	Koo et al.
D749,250 S	2/2016	Thole et al.	D847,391 S	4/2019	Pinazzo et al.
D752,253 S	3/2016	Loeb	D847,392 S	4/2019	Zipfel
D765,284 S	8/2016	Kim et al.	D848,647 S	5/2019	Kozub
D765,893 S	9/2016	Kim et al.	D852,389 S	6/2019	Koo et al.
D770,068 S	10/2016	Kapitonov	D852,393 S	6/2019	Whitla et al.
D773,084 S	11/2016	Kapitonov	D857,257 S	8/2019	Lin D26/28
D773,086 S	11/2016	McCabe et al.	D857,260 S	8/2019	Kil et al.
D774,226 S	12/2016	McCabe et al.	D857,936 S	8/2019	Kil et al.
D776,310 S	1/2017	Mackay	D857,938 S	8/2019	Blanski et al.
D776,841 S	1/2017	Kozub et al.	D857,939 S	8/2019	Kozub
D776,843 S	1/2017	McCabe et al.	D857,940 S	8/2019	Park
D776,846 S	1/2017	Willett et al.	D857,941 S	8/2019	Whitla et al.
D777,359 S	1/2017	Kozub et al.	D857,942 S	8/2019	Perkins
D777,360 S	1/2017	Kozub et al.	D857,943 S	8/2019	Hochmuth
D777,361 S	1/2017	Kozub et al.	D857,944 S	8/2019	Pinazzo et al.
D777,955 S	1/2017	Willett et al.	D857,945 S	8/2019	Smith et al.
D784,579 S	4/2017	Cheng et al.	D857,946 S	8/2019	Smith et al.
D789,575 S	6/2017	Willett	D857,947 S	8/2019	Koo et al.
D793,590 S	8/2017	Kozub et al.	D857,948 S	8/2019	Koo et al.
D793,591 S	8/2017	Kozub et al.	D857,949 S	8/2019	Smith et al.
D794,229 S	8/2017	Barry	D857,950 S	8/2019	Zipfel
D794,230 S	8/2017	Kozub	D857,951 S	8/2019	Whitla et al.
D796,088 S	8/2017	McCabe et al.	D857,952 S	8/2019	Smith et al.
D796,093 S	8/2017	Mainville	D858,813 S	9/2019	Datta
D797,967 S	9/2017	Barry	D858,814 S	9/2019	Burns
D797,970 S	9/2017	Mainville	D858,817 S	9/2019	Henriques
D797,971 S	9/2017	Mainville	D858,818 S	9/2019	McMahan et al.
D797,972 S	9/2017	Whitla et al.	D858,819 S	9/2019	McMahan et al.
D799,728 S	10/2017	Whitla et al.	D858,820 S	9/2019	McMahan et al.
D801,577 S	10/2017	Ruiz	D858,821 S	9/2019	Park
D818,156 S	5/2018	Kim et al.	D858,822 S	9/2019	Whitla et al.
D818,157 S	5/2018	Zipfel et al.	D858,823 S	9/2019	Zipfel
D818,158 S	5/2018	Zipfel et al.	D858,824 S	9/2019	Pinazzo et al.
D818,159 S	5/2018	Zipfel et al.	D859,707 S	9/2019	McMahan et al.
D818,160 S	5/2018	Perkins	D859,708 S	9/2019	Kozub
D821,617 S	6/2018	Perkins	D859,709 S	9/2019	Zipfel
D825,083 S	8/2018	Perkins	D860,489 S	9/2019	Henriques
D826,435 S	8/2018	Kim	D860,490 S	9/2019	Henriques
D828,935 S	9/2018	Hochmuth	D863,625 S	10/2019	Kim
D830,589 S	10/2018	Henriques	D863,629 S	10/2019	Whitla
D833,040 S	11/2018	Henriques	D863,630 S	10/2019	Whitla et al.
D836,222 S	12/2018	Henriques	D863,662 S	10/2019	Yong et al.
D836,223 S	12/2018	Kim	D863,664 S	10/2019	Kozub
D836,807 S	12/2018	Whitla et al.	D864,441 S	10/2019	Perkins
D837,424 S	1/2019	Whitla et al.	D868,302 S	11/2019	Hochmuth
D838,015 S	1/2019	McMahan et al.	D868,357 S	11/2019	De Leon
D838,016 S	1/2019	McMahan et al.	D869,015 S	12/2019	Pinazzo et al.
D838,390 S	1/2019	McMahan et al.	D869,026 S	12/2019	Zipfel
D838,391 S	1/2019	McMahan et al.	D869,027 S	12/2019	Zipfel
D839,460 S	1/2019	Zipfel et al.	D869,028 S	12/2019	Zipfel
D840,068 S	2/2019	Zipfel et al.	D874,029 S	1/2020	Mack et al.
D840,069 S	2/2019	Perkins	D874,030 S	1/2020	Mack et al.
D840,565 S	2/2019	Whitla et al.	D874,033 S	1/2020	Park Cheng et al.
D840,570 S	2/2019	Kim et al.	D874,034 S	1/2020	Schmeckpeper
D840,571 S	2/2019	Zipfel et al.	D874,035 S	1/2020	Park Cheng et al.
D840,572 S	2/2019	Perkins	D874,053 S	1/2020	Zipfel
D841,843 S	2/2019	Park	D874,693 S	2/2020	Blanski et al.
D841,844 S	2/2019	Perkins	D874,697 S	2/2020	Schmeckpeper
D841,845 S	2/2019	Park	D875,281 S	2/2020	Schmeckpeper
D843,023 S	3/2019	Whitla et al.	D876,690 S	2/2020	Schmeckpeper
D843,024 S	3/2019	Hochmuth	D877,369 S	3/2020	Thurber et al.
D843,025 S	3/2019	Smith et al.	D877,376 S	3/2020	Cheng et al.
D843,614 S	3/2019	Whitla et al.	D877,377 S	3/2020	Cheng et al.
D843,616 S	3/2019	Smith et al.	D877,941 S	3/2020	Thurber et al.
D843,617 S	3/2019	Smith et al.	D884,939 S	5/2020	Kozub
			D885,618 S	5/2020	Mack et al.
			D887,591 S	6/2020	Mack et al.
			D887,596 S	6/2020	Pinazzo et al.
			D894,438 S	8/2020	Park Cheng et al.

(56)

References Cited

U.S. PATENT DOCUMENTS

D894,439 S 8/2020 Izard
 D894,440 S 8/2020 Koo et al.
 D894,441 S 8/2020 Koo et al.
 D895,859 S 9/2020 Izard
 D897,013 S 9/2020 Cheng et al.
 D903,155 S * 11/2020 Platto D26/28
 D903,159 S 11/2020 Zipfel
 D903,160 S 11/2020 Zipfel
 D903,161 S 11/2020 Zipfel
 D903,163 S 11/2020 Choi et al.
 D903,164 S 11/2020 Choi et al.
 D903,165 S 11/2020 Choi et al.
 D903,166 S 11/2020 Choi et al.
 D903,167 S 11/2020 Choi et al.
 D903,168 S 11/2020 Choi et al.
 D913,536 S 3/2021 Koo et al.
 D913,537 S 3/2021 Koo et al.
 D919,136 S 5/2021 Park et al.
 D919,842 S * 5/2021 Lin D26/28
 D919,857 S 5/2021 Park et al.
 D919,858 S 5/2021 Park et al.
 D919,859 S 5/2021 Park et al.
 D920,544 S 5/2021 Kim
 D920,545 S 5/2021 Mack et al.
 D920,548 S 5/2021 Park et al.
 D920,549 S 5/2021 Park et al.
 D930,859 S 9/2021 Park et al.
 D933,266 S 10/2021 Park et al.
 D939,115 S 12/2021 Chen et al.
 D939,741 S 12/2021 Chen et al.
 D945,031 S 3/2022 Chen et al.
 D950,783 S 5/2022 Davis
 D950,784 S 5/2022 Davis
 D950,785 S 5/2022 Datta
 D950,786 S 5/2022 Datta
 D950,787 S 5/2022 Datta
 D950,788 S 5/2022 Zhao et al.
 D950,790 S 5/2022 Datta
 D950,791 S 5/2022 Datta
 D950,792 S 5/2022 Davis

D950,793 S 5/2022 Davis
 D950,794 S 5/2022 Theis et al.
 D950,795 S 5/2022 Theis et al.
 D950,796 S 5/2022 Davis
 D950,797 S 5/2022 Theis et al.
 D950,798 S 5/2022 Theis et al.
 D950,799 S 5/2022 Theis et al.
 D950,800 S 5/2022 Theis et al.
 D950,806 S 5/2022 Barry et al.
 D950,807 S 5/2022 Jevremovic
 D950,808 S 5/2022 Jevremovic
 D950,809 S 5/2022 Jevremovic
 D950,810 S 5/2022 Chung
 D950,811 S 5/2022 Jevremovic
 D950,812 S 5/2022 De Leon et al.
 D950,813 S 5/2022 De Leon et al.
 D950,814 S 5/2022 De Leon et al.
 D950,815 S 5/2022 De Leon et al.
 D951,497 S 5/2022 Davis
 D956,280 S 6/2022 Choi et al.
 D956,281 S 6/2022 Choi et al.
 D956,282 S 6/2022 Choi et al.
 D956,283 S 6/2022 Davis
 D956,284 S 6/2022 Davis
 D956,285 S 6/2022 Datta
 D956,286 S 6/2022 Zhao et al.
 D956,287 S 6/2022 Zhao et al.
 D958,418 S 7/2022 Choi et al.
 D958,445 S 7/2022 Malczewski
 D961,126 S 8/2022 Schmeckpeper
 D961,127 S 8/2022 Schmeckpeper
 D961,128 S 8/2022 Schmeckpeper
 D961,129 S 8/2022 Buller et al.
 D988,554 S * 6/2023 Oake, Jr. D26/28
 D988,555 S * 6/2023 Oake, Jr. D26/28
 D989,361 S * 6/2023 Kusunoki D26/28
 D999,416 S * 9/2023 Willing D26/28
 D999,417 S * 9/2023 Willing D26/28
 D999,950 S * 9/2023 Yang D26/28
 D1,000,657 S * 10/2023 Patel D26/28
 D1,002,088 S * 10/2023 He D26/28
 D1,002,089 S * 10/2023 Baik D26/28

* cited by examiner

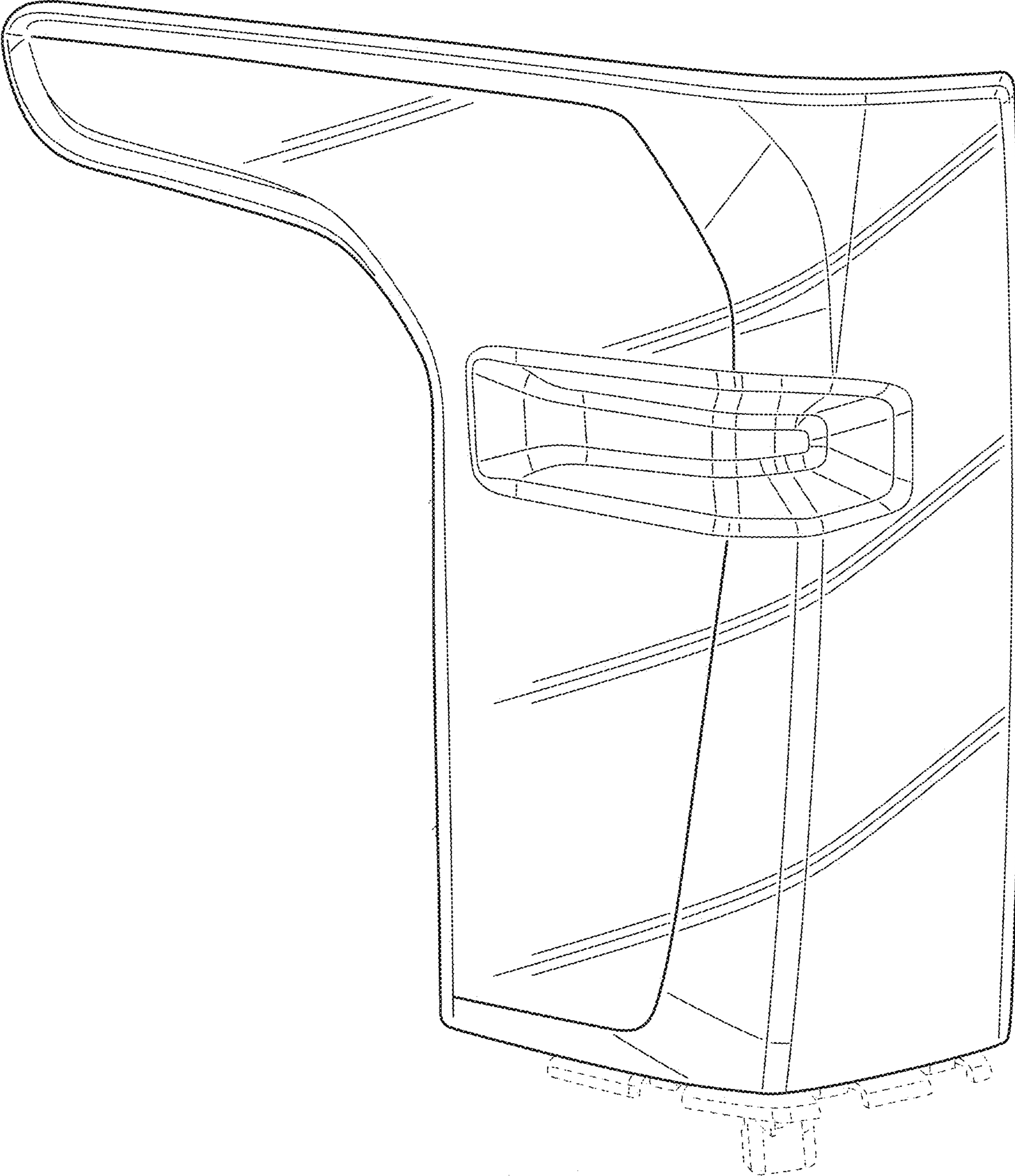


FIG. 1

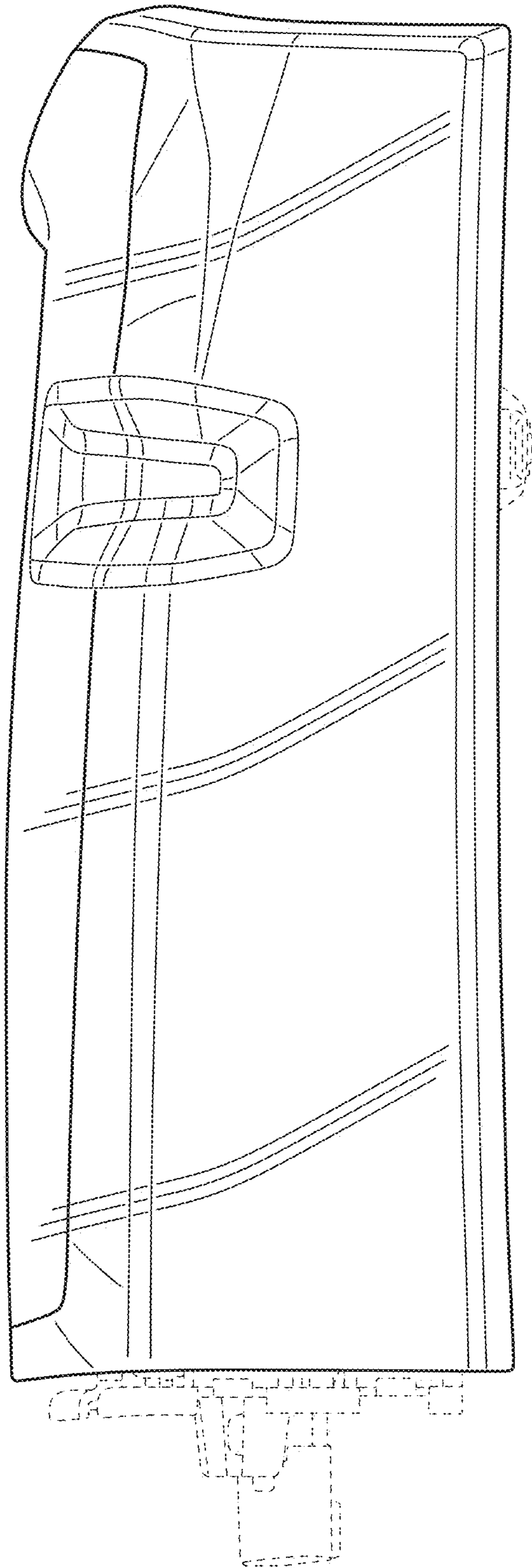


FIG. 2

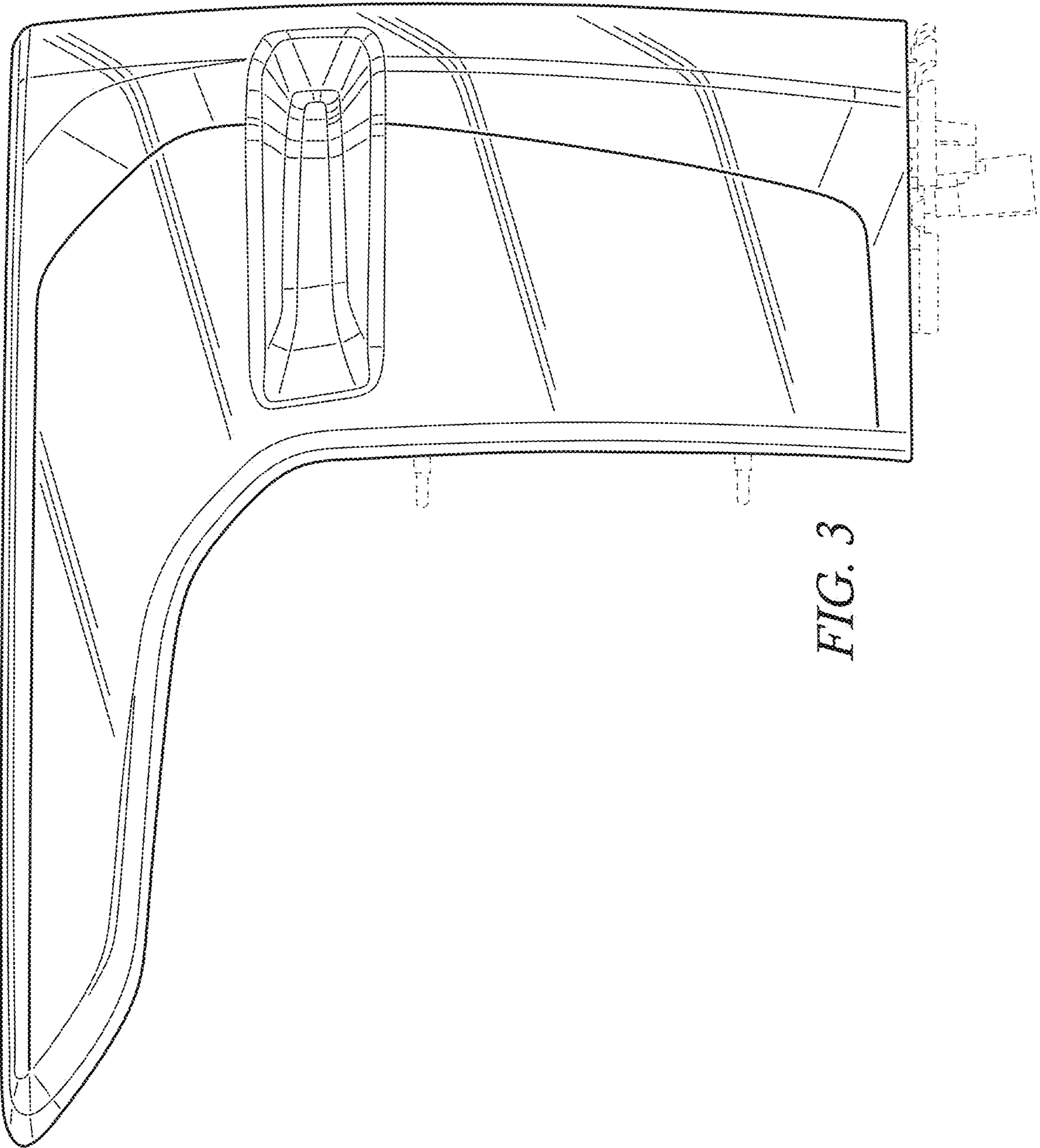


FIG. 3

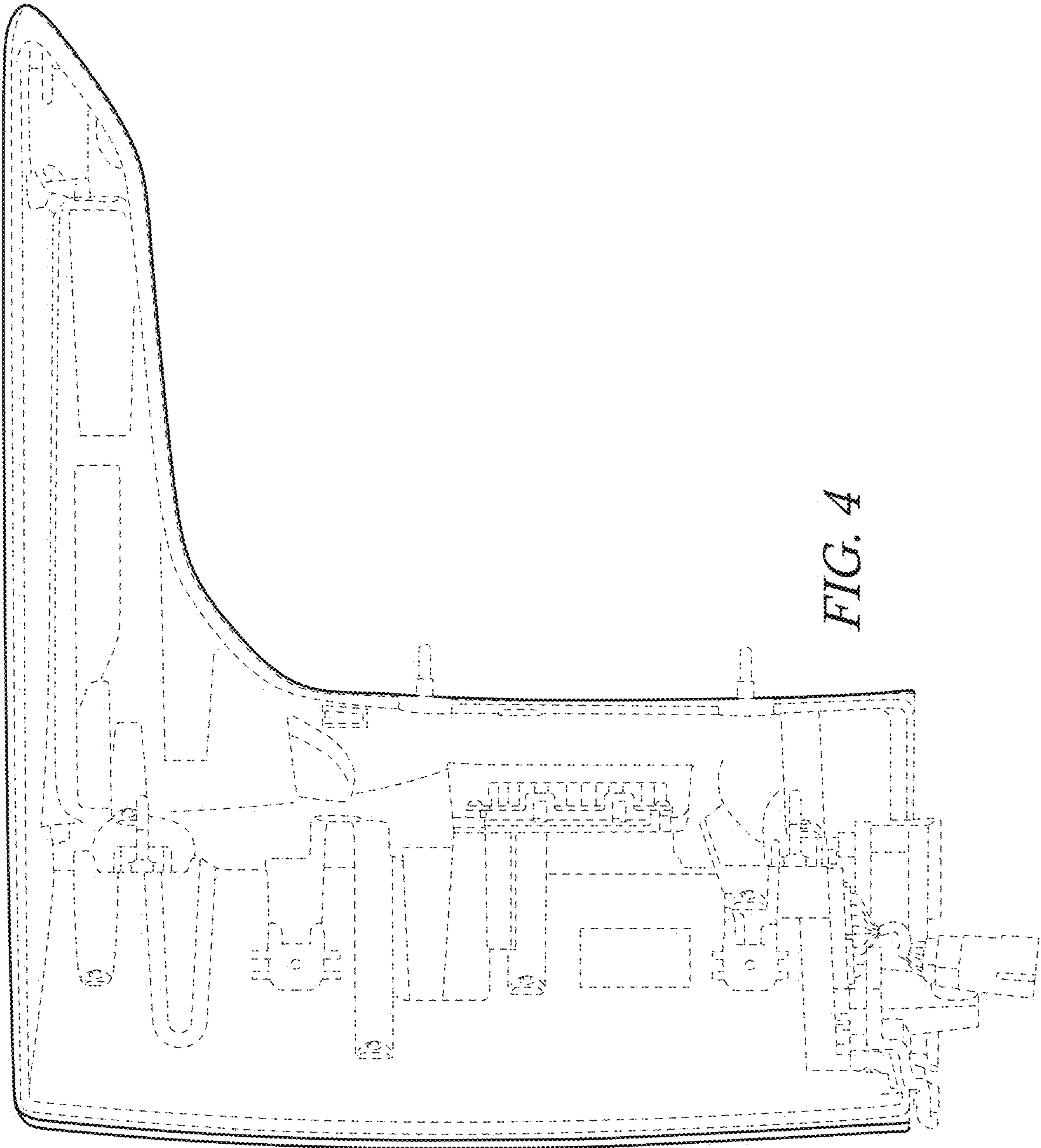


FIG. 4

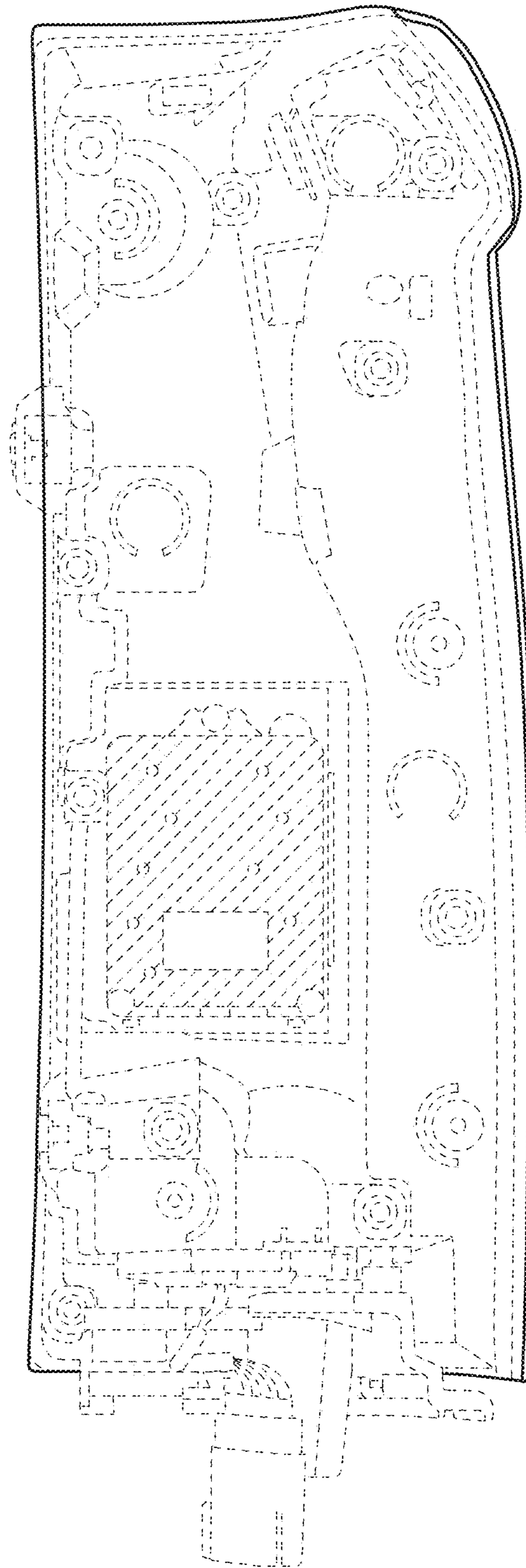


FIG. 5

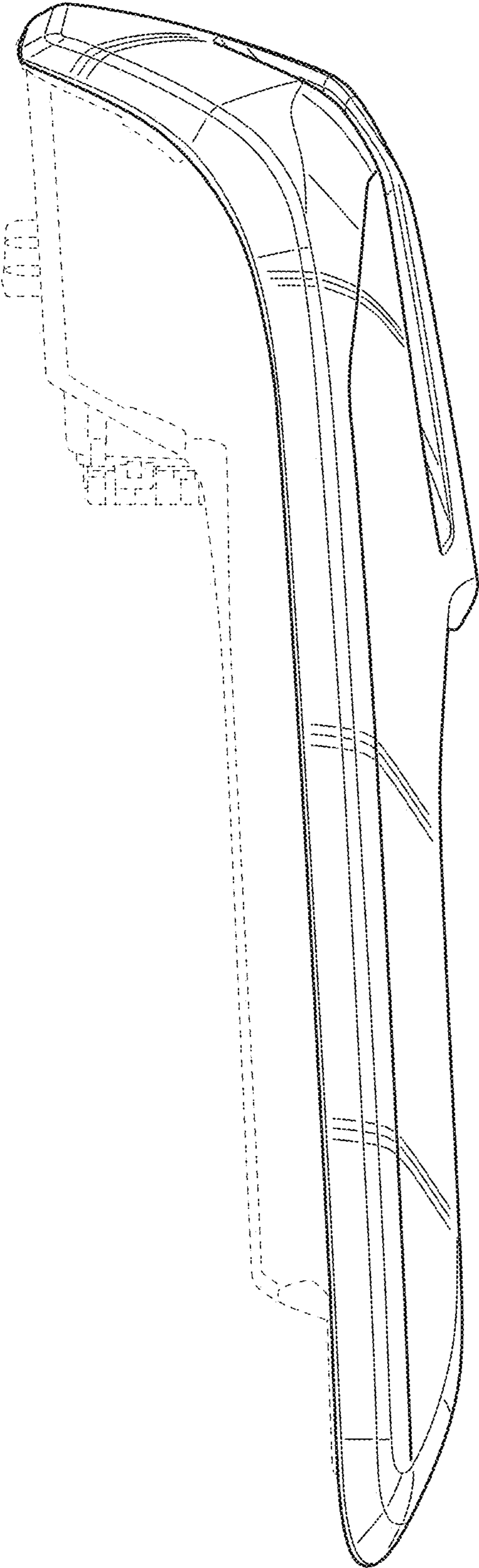


FIG. 6

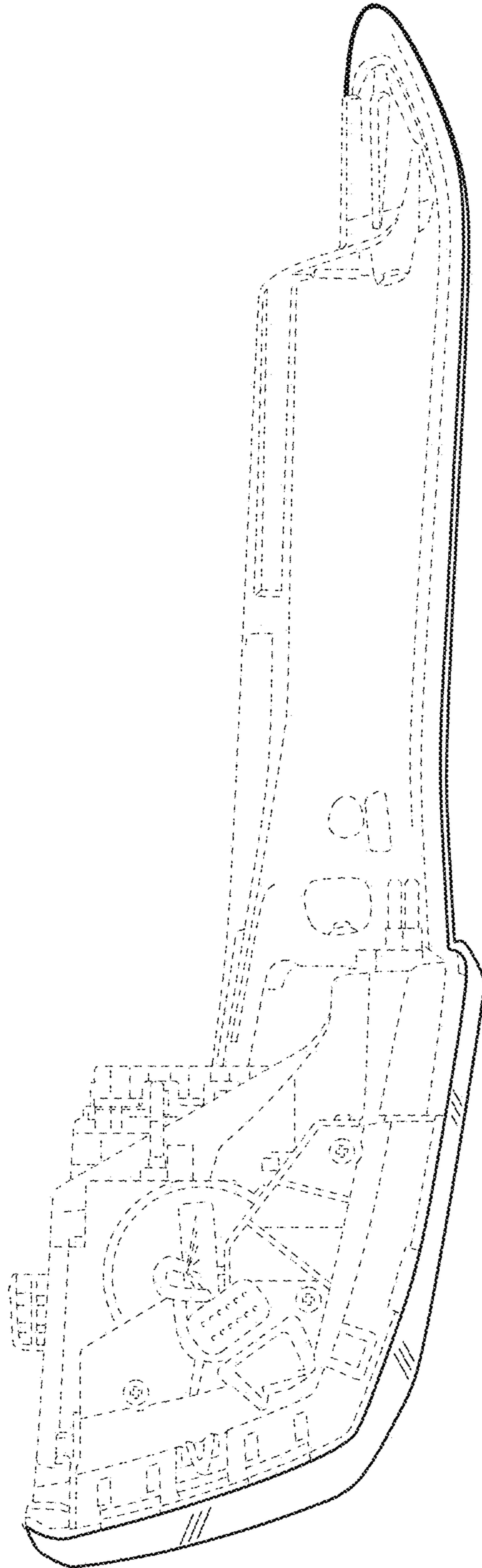


FIG. 7