

US0D1024351S

(12) **United States Design Patent** (10) **Patent No.:** **US D1,024,351 S**
Zheng (45) **Date of Patent:** **** Apr. 23, 2024**

(54) **VIBRO-MASSAGE EQUIPMENT**
(71) Applicant: **Zhejiang Ruicheng Mechanical Power Co., Ltd., Jinhua (CN)**
(72) Inventor: **Fangjun Zheng, Yongkang (CN)**
(73) Assignee: **Zhejiang Ruicheng Mechanical Power Co., Ltd., Jinhua (CN)**

D898,215 S * 10/2020 Endo D24/215
D918,409 S * 5/2021 Sedic D24/215
D932,645 S * 10/2021 Wu D24/215
D958,391 S * 7/2022 Sedic D24/215
D959,010 S * 7/2022 Li D24/215
D965,166 S * 9/2022 Cai D24/215
D980,447 S * 3/2023 Lin D24/215
D992,139 S * 7/2023 Ikeda
D1,010,844 S * 1/2024 Liu D24/215
D1,010,847 S * 1/2024 Chen D24/215

(**) Term: **15 Years**

OTHER PUBLICATIONS

(21) Appl. No.: **29/908,610**

Amazon, "Rapid Release_Vibration Massager", Date First Available: Mar. 10, 2017. https://www.amazon.com/Rapid-Release-RRT-PRO2-Targeted-Vibration/dp/B06XJ6B3RQ/ref=cm_cr_arp_d_product_top?ie=UTF8 (Year: 2017).*

(22) Filed: **Jan. 12, 2024**

(Continued)

(51) **LOC (14) Cl.** **24-01**

(52) **U.S. Cl.**
USPC **D24/215**

Primary Examiner — Michael A Maharajh

(74) *Attorney, Agent, or Firm* — Nitin Kaushik

(58) **Field of Classification Search**
USPC D24/141, 188, 189, 190, 200, 211, 212, D24/213, 214, 215; D30/160; D23/366
CPC A61H 19/32; A61H 2201/0207; A61H 19/00; A61H 23/00; A61H 2201/0157; A61H 2201/1253
See application file for complete search history.

(57) **CLAIM**

The ornamental design for a vibro-massage equipment, as shown and described.

(56) **References Cited**

DESCRIPTION

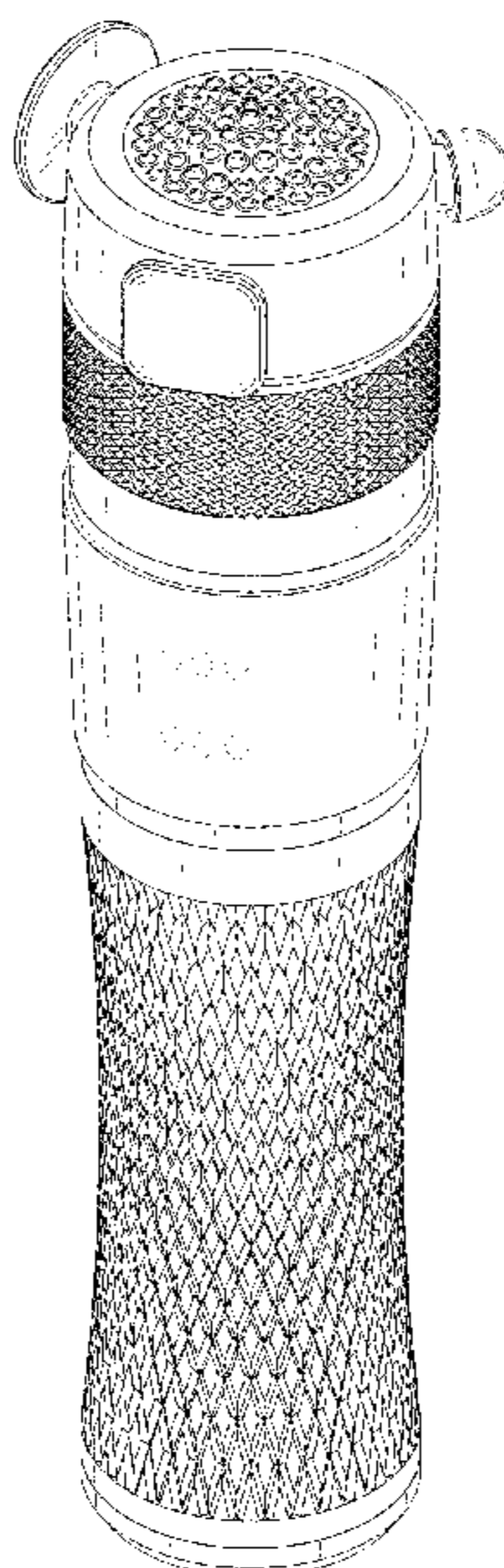
U.S. PATENT DOCUMENTS

D560,813 S * 1/2008 Matsuura D24/216
D695,414 S * 12/2013 Matsuura D24/215
D782,036 S * 3/2017 Cai D24/121
D797,951 S * 9/2017 Miklavc D24/215
D823,462 S * 7/2018 Okamura D24/121
D837,996 S * 1/2019 Sugimoto A61B 10/0058 D24/215
D879,988 S * 3/2020 Zhou D24/215
D880,713 S * 4/2020 Sedic D24/215
D886,318 S * 6/2020 Tsuyama D9/428
D890,947 S * 7/2020 Takahori D24/215
D893,040 S * 8/2020 Qiu D24/215
D895,134 S * 9/2020 Qiu D24/215

FIG. 1 is a front perspective view of a vibro-massage equipment, showing my new design;
FIG. 2 is a rear perspective view thereof;
FIG. 3 is a front view thereof;
FIG. 4 is a rear view thereof;
FIG. 5 is a left side view thereof;
FIG. 6 is a right side view thereof;
FIG. 7 is a top view thereof; and,
FIG. 8 is a bottom view thereof.

The broken lines in the drawings illustrate the portions of the vibro-massage equipment, which form no part of the claimed design.

1 Claim, 8 Drawing Sheets



(56)

References Cited

OTHER PUBLICATIONS

Amazon, "Hyako Rapid Release_Vibrating Massager", Date First Available: Oct. 27, 2023. https://www.amazon.com/HYAKO-Release-Tissue-Vibrating-Massager/dp/B0CLXTNZXH/ref=cm_cr_ar_p_d_product_top?ie=UTF8 (Year: 2023).*

* cited by examiner

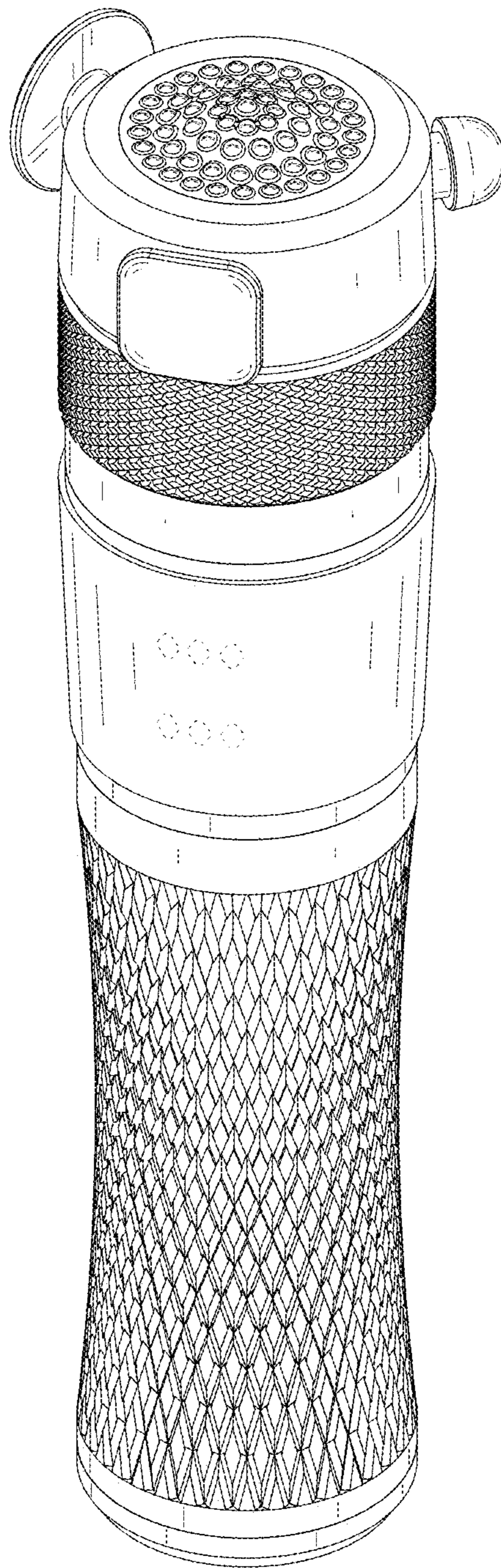


FIG. 1

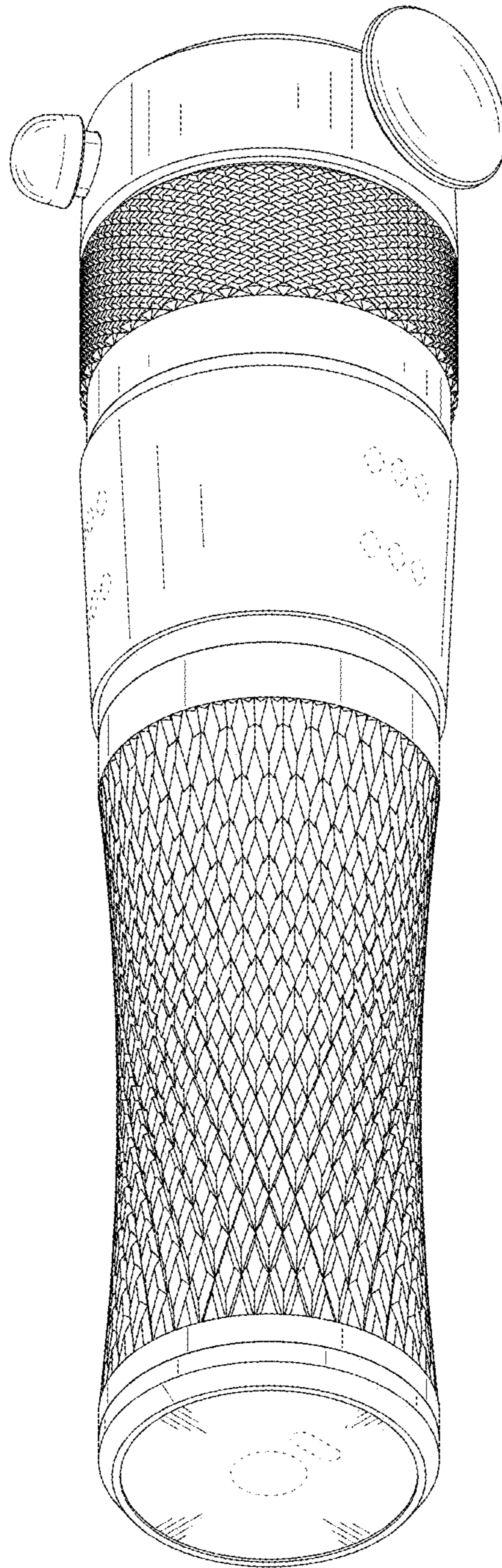


FIG. 2

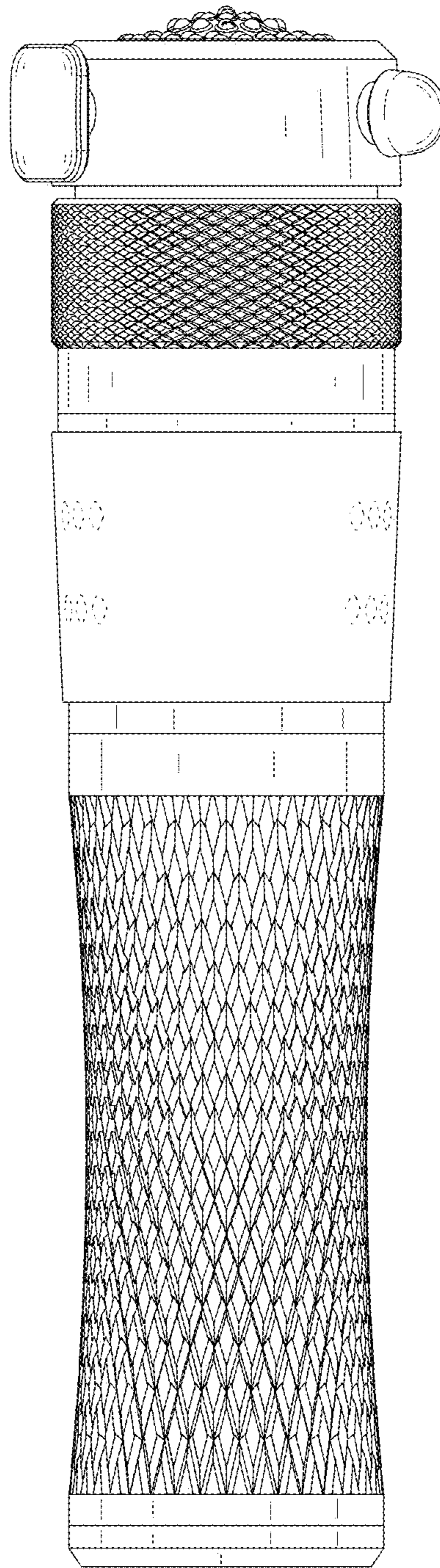


FIG. 3

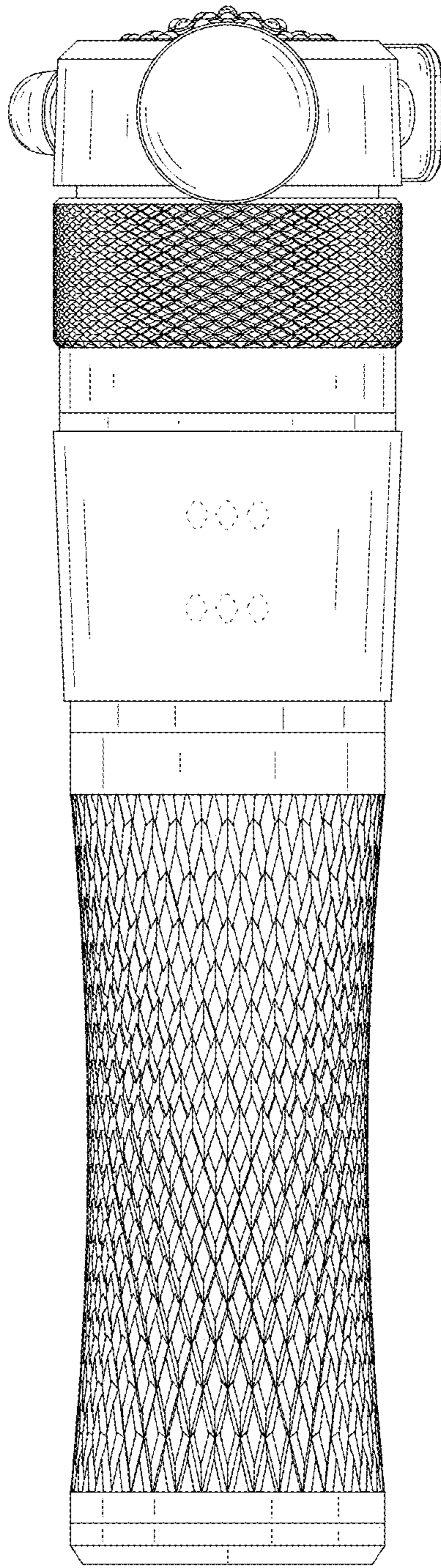


FIG. 4

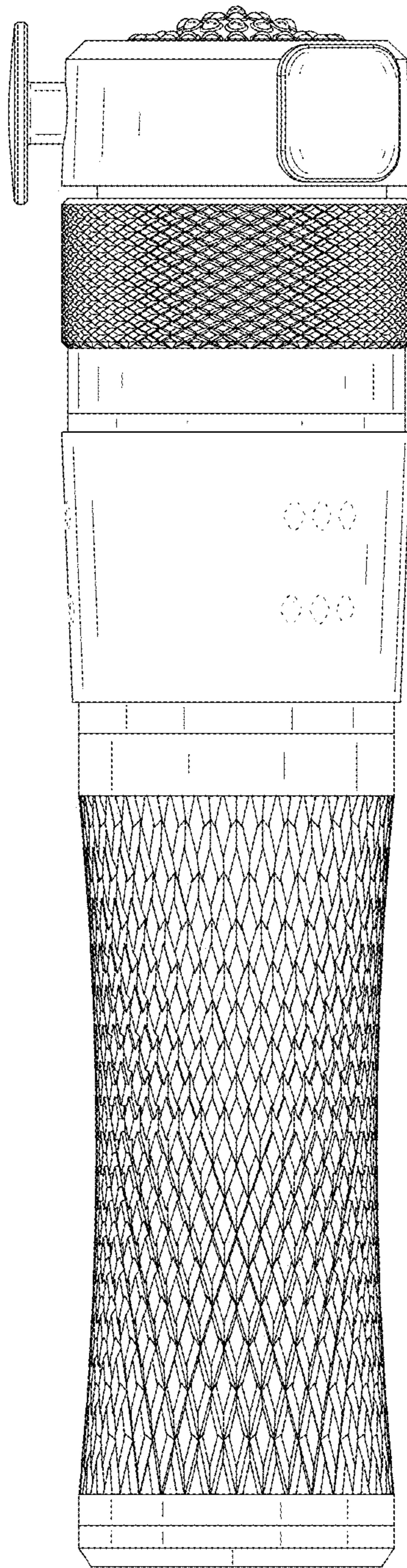


FIG. 5

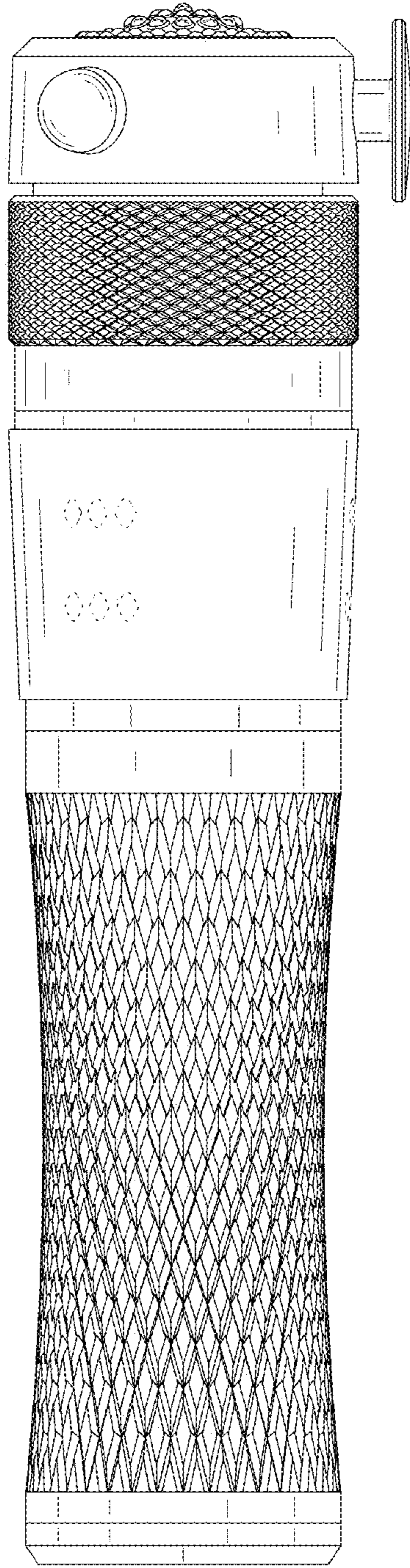


FIG. 6

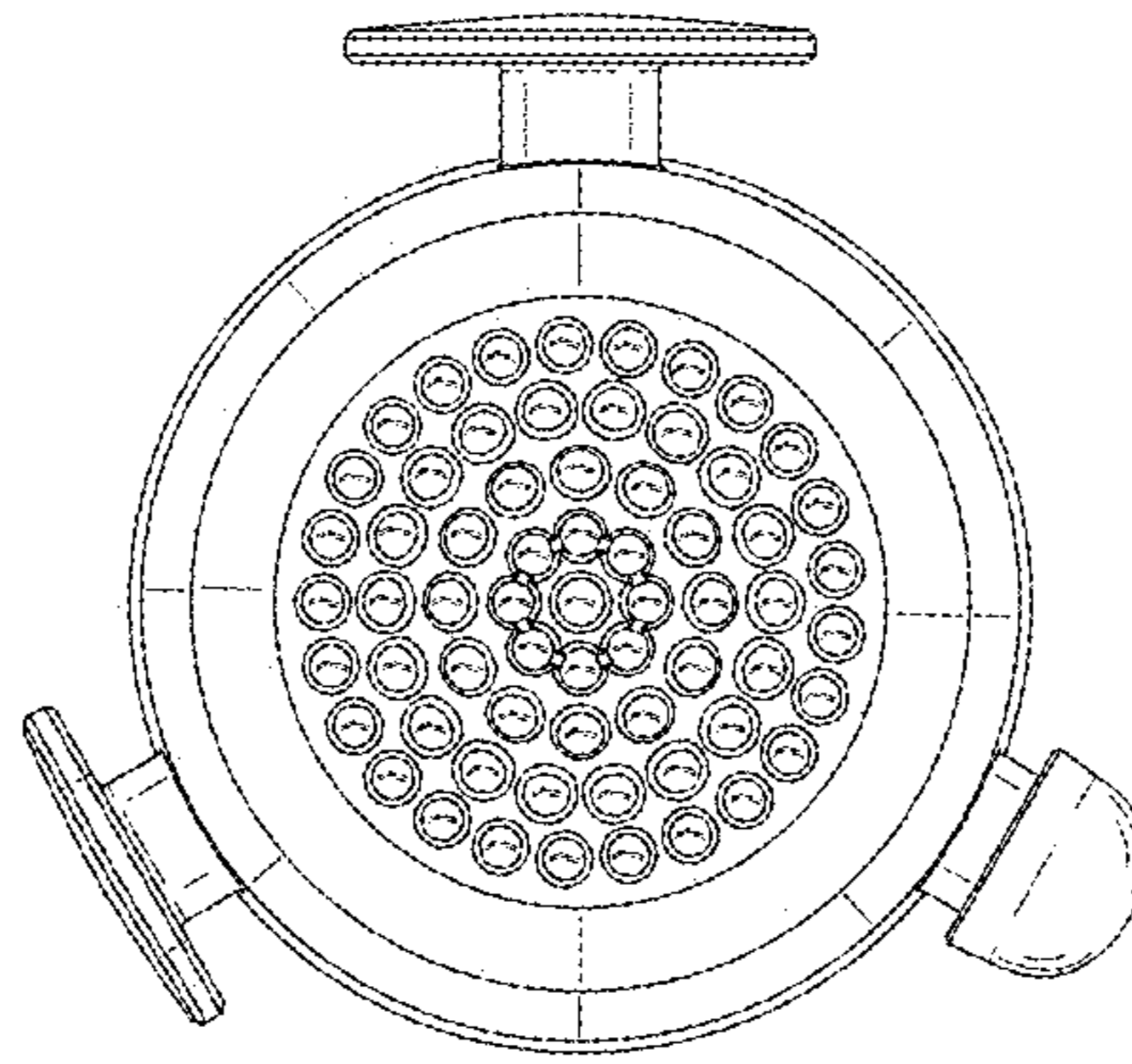


FIG. 7

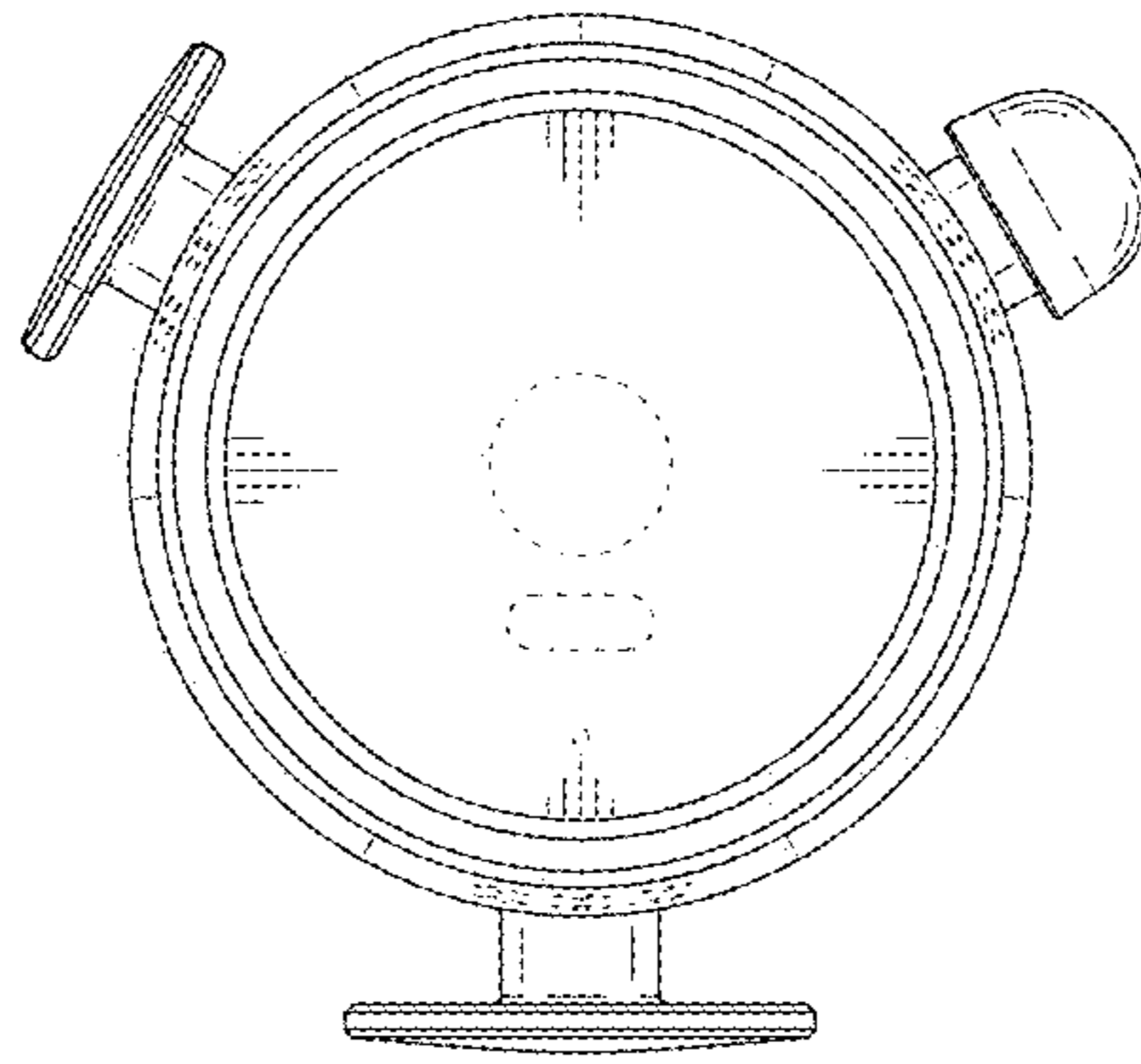


FIG. 8