



US0D1024060S

(12) **United States Design Patent** (10) **Patent No.:** **US D1,024,060 S**
Chao (45) **Date of Patent:** **** Apr. 23, 2024**

(54) **SMART WATCH**

(71) Applicants: **ZEPP INC.**, Cupertino, CA (US);
ANHUI HUAMI INFORMATION TECHNOLOGY CO., LTD., Hefei (CN)

(72) Inventor: **Wei Po Chao**, Hefei (CN)

(73) Assignees: **Anhui Huami Information Technology Co., Ltd.**, Anhui FTZ (CN); **Zepp, Inc.**, Cupertino, CA (US)

(**) Term: **15 Years**

(21) Appl. No.: **35/516,085**

(22) Filed: **Jan. 6, 2023**

(80) **Hague Agreement Data**

Int. Filing Date: **Jan. 6, 2023**

Int. Reg. No.: **DM/226211**

Int. Reg. Date: **Jan. 6, 2023**

Int. Reg. Pub. Date: **Jan. 27, 2023**

(51) **LOC (14) Cl.** **14-02**

(52) **U.S. Cl.**
USPC **D14/344**

(58) **Field of Classification Search**
USPC D14/138 R, 344, 440; D10/30, 31, 32, D10/38, 70, 128, 132; D11/3; D24/167
CPC G04G 17/00; G04G 17/06; G04G 17/08; G04G 17/083; G04G 17/045; G04G 21/00; G04G 21/02; G04G 21/025; G04G 21/06; G04G 21/08; G04G 99/006; A44C 5/00; A44C 5/0007; A44C 5/0015; A44C 5/0045; A44C 5/0053; A44C 5/2052; A44C 5/2071

See application file for complete search history.

(56) **References Cited**

U.S. PATENT DOCUMENTS

D918,059 S * 5/2021 Wang D14/344
D919,468 S * 5/2021 Chao D11/3

D926,613 S * 8/2021 Chao D11/3
D927,325 S * 8/2021 Droze D10/32
D956,236 S * 6/2022 Chao D10/38
D962,931 S * 9/2022 He D14/344
D975,085 S * 1/2023 He D14/344
D976,255 S * 1/2023 Chung D14/344
D981,400 S * 3/2023 King D14/344
D981,403 S * 3/2023 Chao D14/344

(Continued)

FOREIGN PATENT DOCUMENTS

WO WOD226211-001 * 1/2023
WO WOD226211-002 * 1/2023

OTHER PUBLICATIONS

Amazfit GTR 4, Sep. 15, 2022. www.us.amzfit.com, <https://us.amazfit.com/collections/smartwatches-bands/products/amazfit-gtr-4#> (Year: 2022).*

(Continued)

Primary Examiner — Messina L Smith
Assistant Examiner — Kwabena A. Ankobiah
(74) *Attorney, Agent, or Firm* — Young Basile Hanlon & MacFarlane, P.C.

(57) **CLAIM**

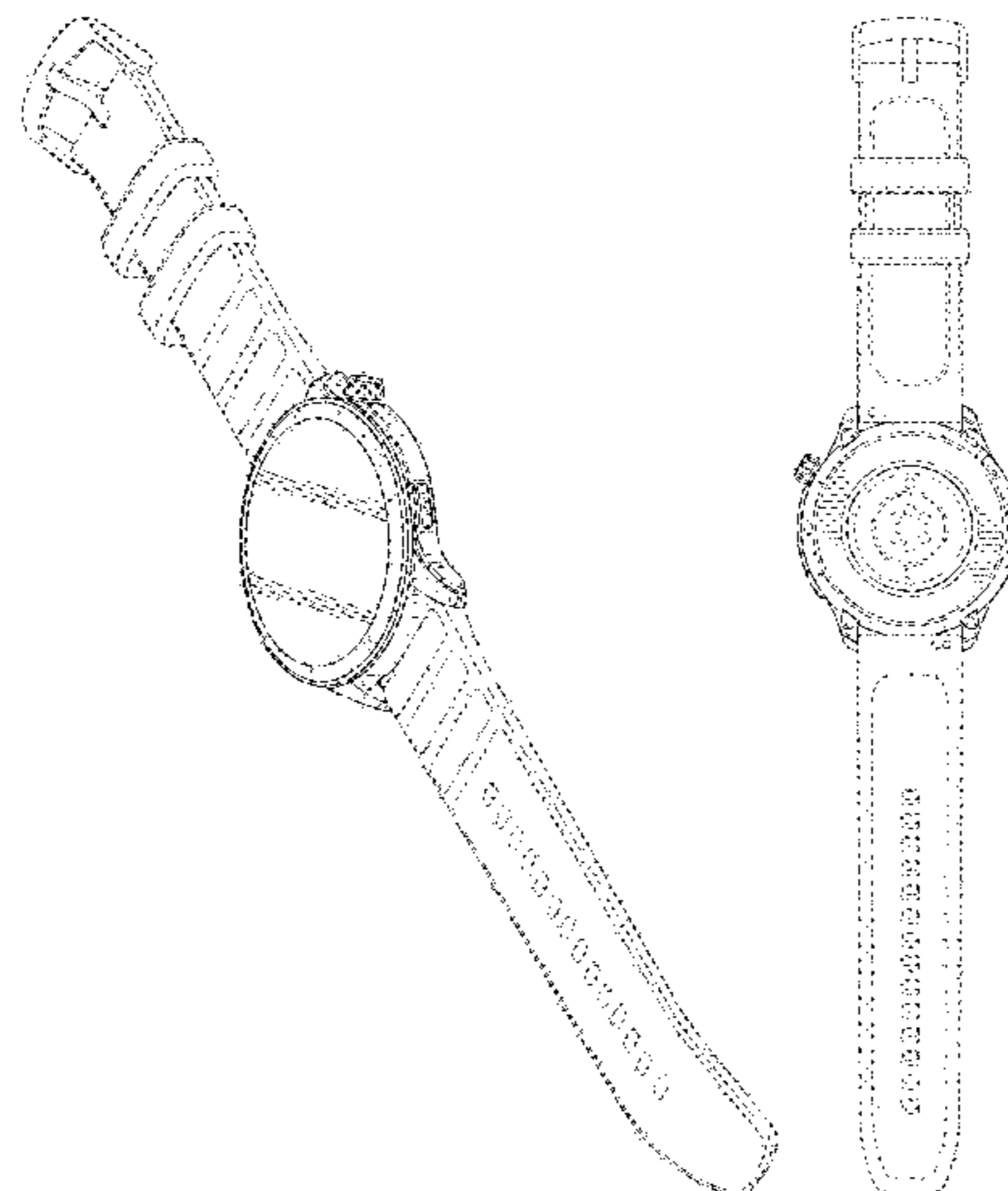
The ornamental design for a smart watch, as shown and described.

DESCRIPTION

- 2. Smart watch
- 2.1: Perspective
- 2.2: Front
- 2.3: Back
- 2.4: Left
- 2.5: Right
- 2.6: Top
- 2.7: Bottom

The broken lines represent portions of the smart watch that form no part of the claimed design.

1 Claim, 7 Drawing Sheets



(56)

References Cited

U.S. PATENT DOCUMENTS

D981,404	S	*	3/2023	Chao	D14/344
D982,581	S	*	4/2023	Mu	D14/344
D985,553	S	*	5/2023	He	D14/344
D986,239	S	*	5/2023	Chung	D14/344
D988,316	S	*	6/2023	Gao	D14/344
D994,661	S	*	8/2023	Li	D14/344

OTHER PUBLICATIONS

Amazfit GTR 4 Smart Watch for Men Android iPhone, Dual-Band GPS, Alexa Built-in, Bluetooth Calls, 150+ Sports Modes, 14-Day Battery Life, [www.amazon.com](https://www.amazon.com/Amazfit-Android-Dual-Band-Bluetooth-Battery/dp/B0B8YR3KZS?th=1), Aug. 25, 2022. <https://www.amazon.com/Amazfit-Android-Dual-Band-Bluetooth-Battery/dp/B0B8YR3KZS?th=1> (Year: 2022).*

Amazfit GTR 4 hands-on review: An industry-first GPS system for \$199, www.zdnet.com, Sep. 1, 2022. <https://www.zdnet.com/article/amazfit-gtr-4-review/> (Year: 2022).*

Amazfit GTR 4, [www.us.amzfit.com](https://us.amzfit.com), Sep. 15, 2022. <https://us.amzfit.com/collections/smartwatches-bands/products/amazfit-gtr-4#> (Year: 2022).*

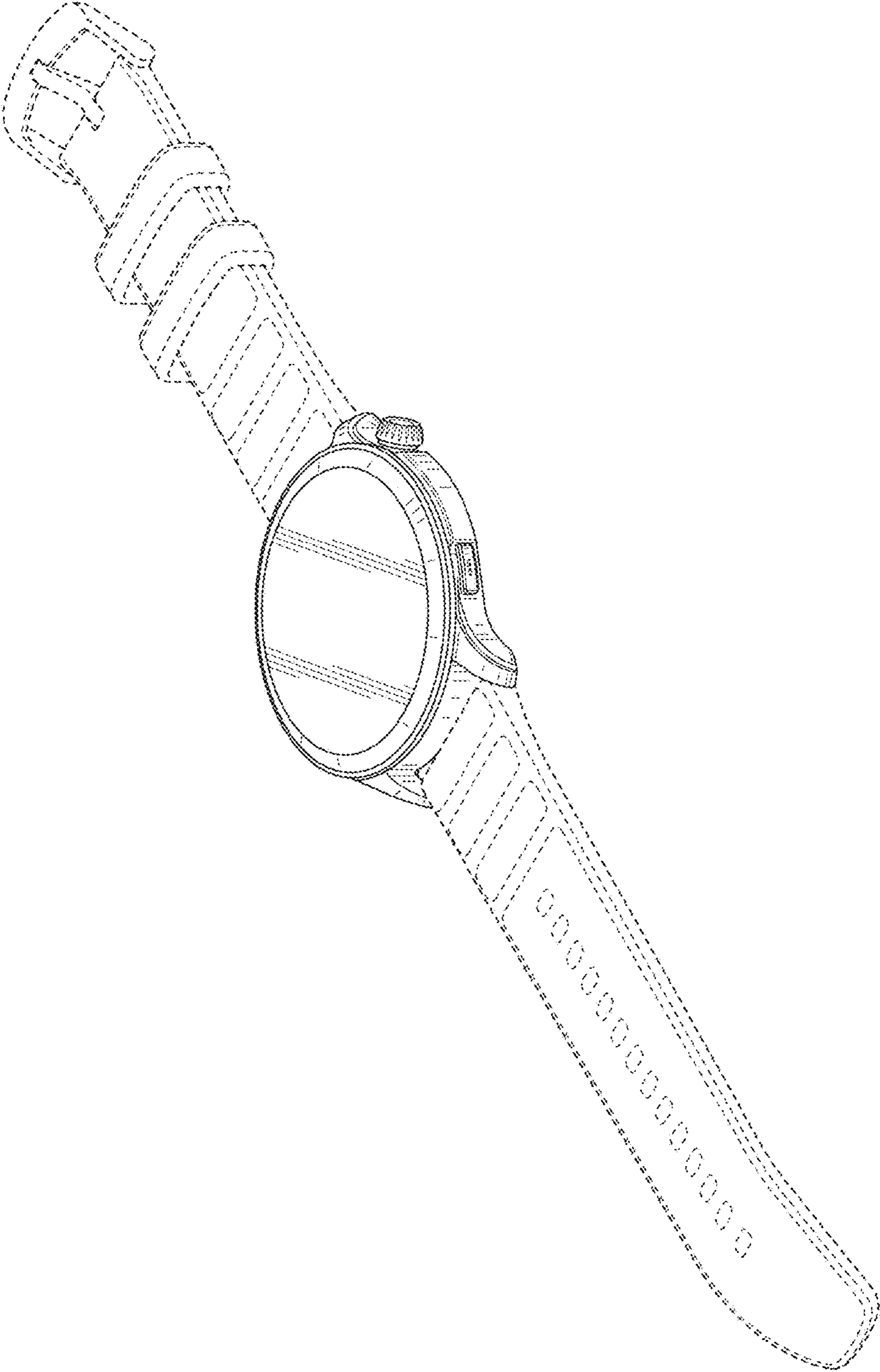
Amazfit GTR 4 review: the king of budget smartwatches, www.theverge.com, Nov. 18, 2022. <https://www.theverge.com/23464331/amazfit-gtr-4-review-budget-wearable-smartwatch> (Year: 2022).*

Exclusive First look at the Amazfit GTR 4 and GTS 4; GSM Arena; https://www.gsmarena.com/exclusive_first_look_at_the_amazfit_gtr_4_and_gts_4-news-55058.php; Jul. 14, 2022; pp. 1-3.

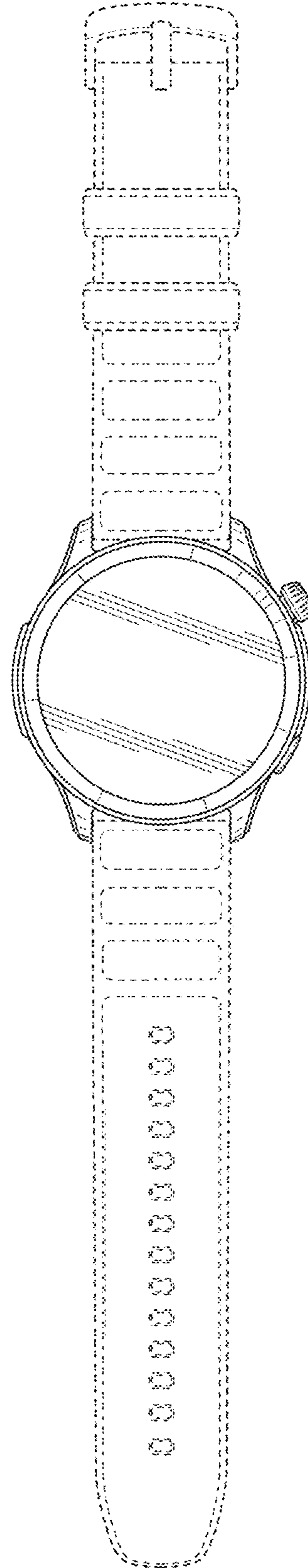
Exclusive: Amazfit GTR4 and GTS 4 full set of images; https://www.gsmarena.com/exclusive_amazfit_gtr_4_and_gts_4_full_set_of_images-news-55270.php; Aug. 2, 2022; pp. 1-4.

* cited by examiner

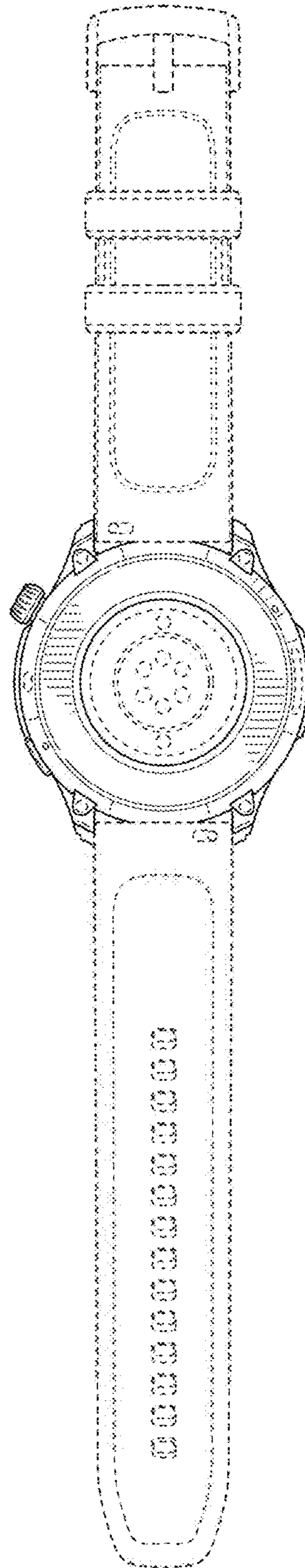
2.1



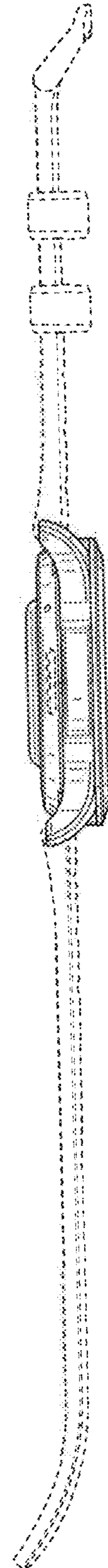
2.2



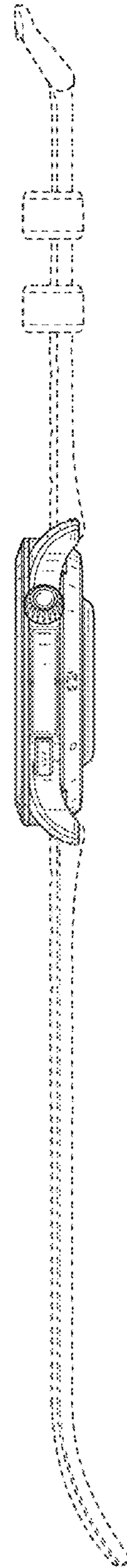
2.3



2.4



2.5



2.6



2.7

