



US0D1024016S

(12) **United States Design Patent**  
**Suzuki et al.**

(10) **Patent No.: US D1,024,016 S**

(45) **Date of Patent: \*\* Apr. 23, 2024**

(54) **SPEAKER**

2400/00; H04R 2400/07; H04R 2499/11;  
H04R 2499/13; H04R 2499/15; H04S  
3/00; H04S 7/30

(71) Applicant: **SONY GROUP CORPORATION**,  
Tokyo (JP)

See application file for complete search history.

(72) Inventors: **Akio Suzuki**, Tokyo (JP); **Tomonari  
Murakami**, Chiba (JP)

(56) **References Cited**

(73) Assignee: **SONY GROUP CORPORATION**,  
Tokyo (JP)

U.S. PATENT DOCUMENTS

(\*\*) Term: **15 Years**

D278,432 S \* 4/1985 Buck ..... D14/219  
D529,899 S 10/2006 Amada et al.  
D547,751 S 7/2007 Shiono  
D550,205 S 9/2007 Kaneda  
D562,308 S 2/2008 Matsuoka  
D563,946 S 3/2008 Uehara

(21) Appl. No.: **29/809,503**

(Continued)

(22) Filed: **Sep. 28, 2021**

FOREIGN PATENT DOCUMENTS

(30) **Foreign Application Priority Data**

CN 305182636 S 5/2019  
EM 004669356-0008 S 1/2018

Mar. 29, 2021 (JP) ..... 2021-006523 D  
Mar. 29, 2021 (JP) ..... 2021-006524 D  
Mar. 29, 2021 (JP) ..... 2021-006525 D  
Mar. 29, 2021 (JP) ..... 2021-006526 D  
Apr. 7, 2021 (CN) ..... 202130192621.5  
Apr. 7, 2021 (CN) ..... 202130194717.5

(Continued)

*Primary Examiner* — Keli L Hill

(51) **LOC (14) Cl.** ..... **14-01**

(74) *Attorney, Agent, or Firm* — Michael Best and  
Friedrich LLP

(52) **U.S. Cl.**

(57) **CLAIM**

The ornamental design for a speaker, as shown and  
described.

USPC ..... **D14/221**; D14/216

**DESCRIPTION**

(58) **Field of Classification Search**

USPC ..... D14/167, 168, 170–172, 188, 193–198,  
D14/203.1–203.8, 204, 209.1, 210–217,  
D14/219, 221, 222, 224, 239, 496  
CPC ..... B60R 11/0217; G06F 1/1688; G10K 9/22;  
G10K 11/004; H03F 1/327; H04M 1/03;  
H04M 1/035; H04N 5/642; H04N  
21/4852; H04R 1/02; H04R 1/06; H04R  
1/021; H04R 1/025; H04R 1/026; H04R  
1/028; H04R 1/105; H04R 1/323; H04R  
1/403; H04R 1/2803; H04R 1/2834;  
H04R 5/02; H04R 7/20; H04R 9/06;  
H04R 9/025; H04R 2201/021; H04R

The file of this patent contains at least one drawing/photo-  
graph executed in color. Copies of this patent with color  
drawing(s)/photograph(s) will be provided by the Office  
upon request and payment of the necessary fee.

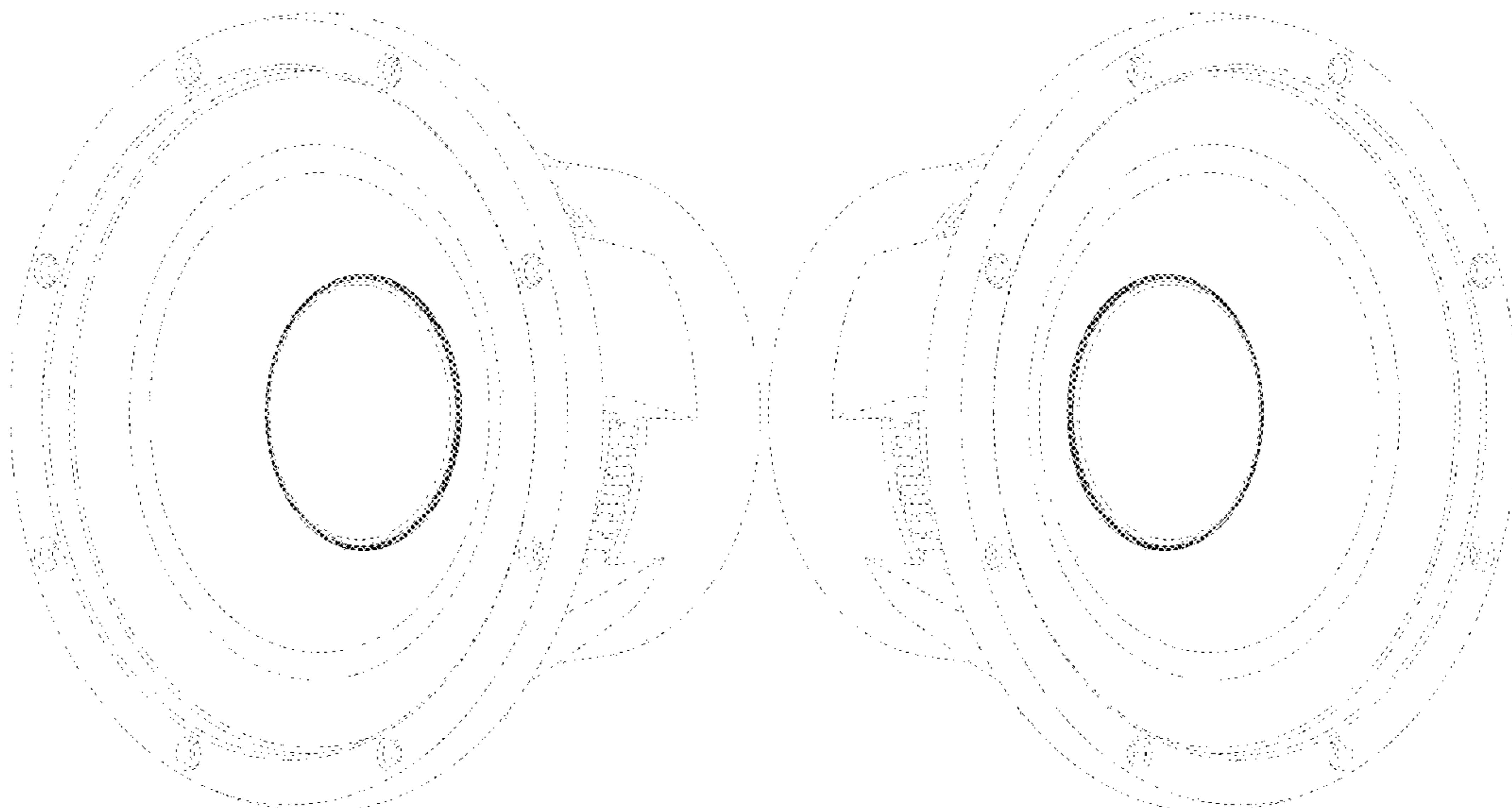
FIG. 1 is a front, right perspective view of a first embodi-  
ment of a speaker showing our new design;

FIG. 2 is a front left perspective view thereof; and,

FIG. 3 is a front elevational view thereof.

The broken lines illustrating part of the speaker form no part  
of the claimed design.

**1 Claim, 3 Drawing Sheets**  
**(3 of 3 Drawing Sheet(s) Filed in Color)**



(56)

**References Cited**

U.S. PATENT DOCUMENTS

D566,102	S	4/2008	Matsuoka	
D593,073	S	5/2009	Kurihara	
D654,475	S *	2/2012	Chen .....	D14/215
D769,219	S *	10/2016	Ohmachi .....	D14/205
D864,914	S	10/2019	Kitamura	
D886,785	S *	6/2020	Cimino-Hurt .....	D14/204
D911,309	S *	2/2021	Sakata .....	D14/215
D919,597	S *	5/2021	Amiya .....	D14/215
D987,596	S *	5/2023	Brown .....	D14/204
D998,586	S *	9/2023	Suzuki .....	D14/204
2011/0110537	A1 *	5/2011	Chang .....	H04R 1/02 381/120

FOREIGN PATENT DOCUMENTS

EM	005791563-0002	S	10/2018
EM	007261227-0001	S	11/2019
EM	007667431-0001	S	2/2020

\* cited by examiner

FIG. 1

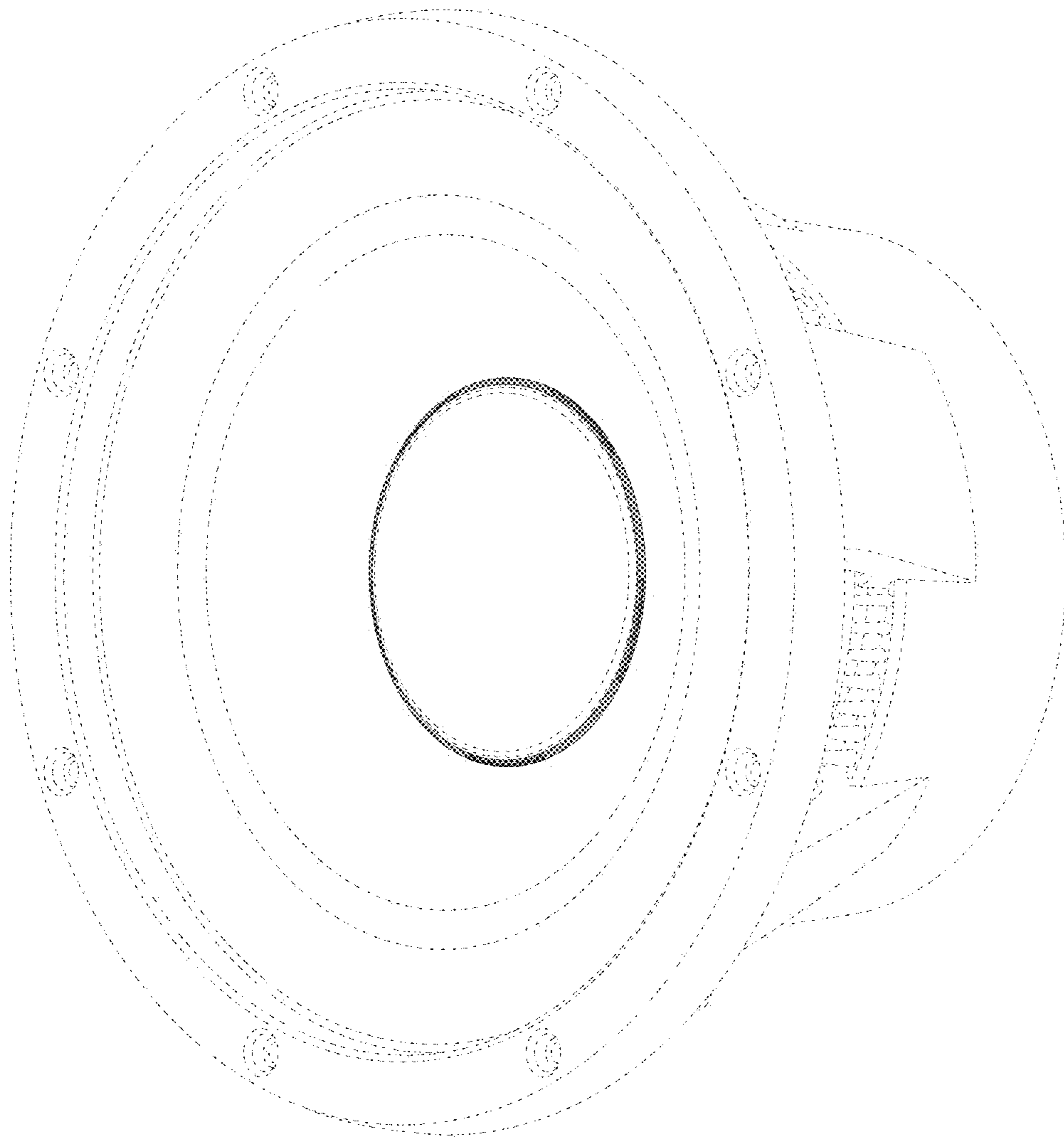


FIG.2

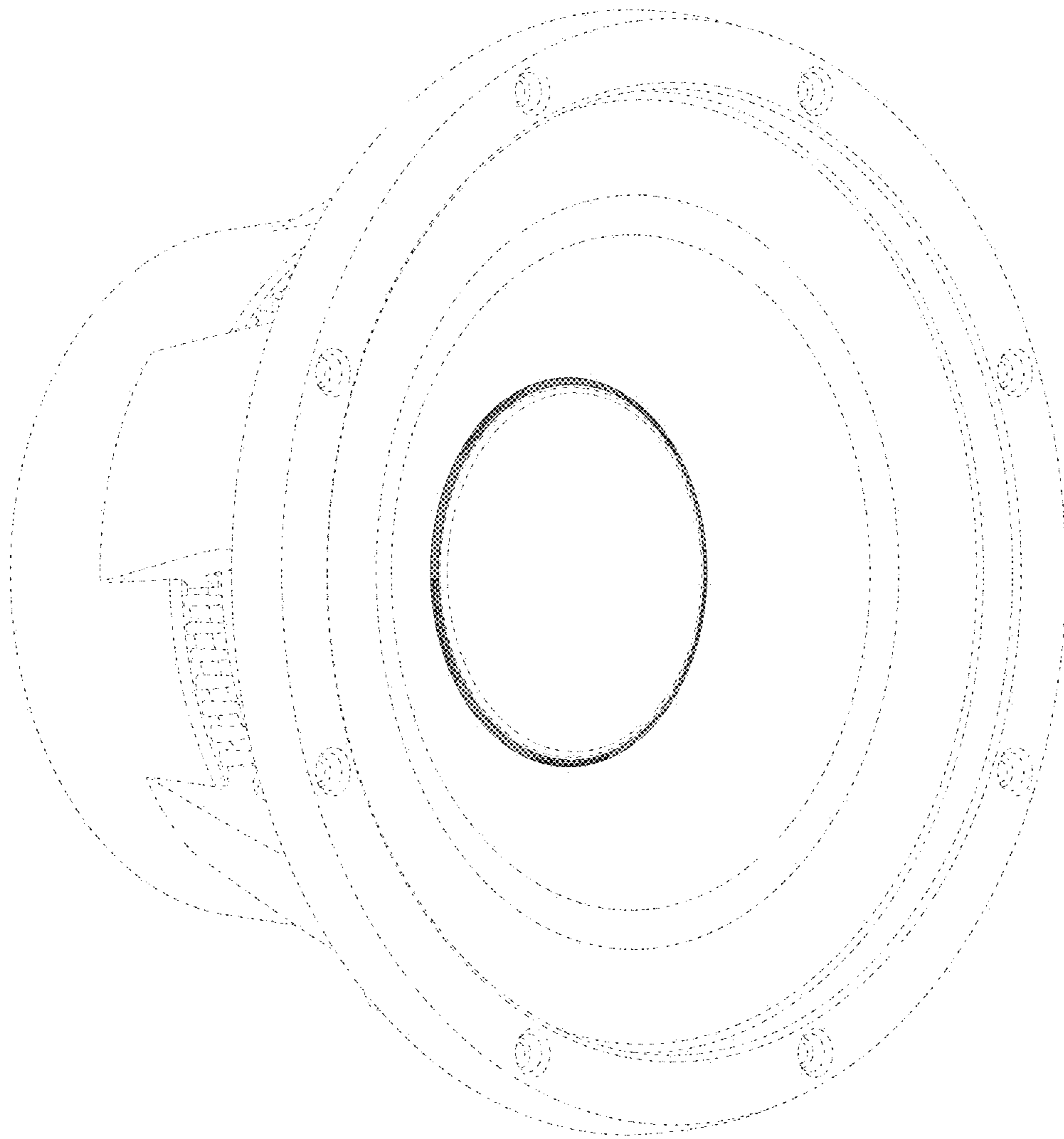


FIG.3

