



US0D1024001S

(12) **United States Design Patent** (10) **Patent No.:** **US D1,024,001 S**
Su (45) **Date of Patent:** **** Apr. 23, 2024**

(54) **SOLAR RADIO**

D537,182 S * 2/2007 Chou D26/37
D548,721 S * 8/2007 Lee D14/188
D986,847 S * 5/2023 Chen D14/172

(71) Applicant: **Great-One Electronic Technology Co., Ltd, Zhuhai (CN)**

(72) Inventor: **Lingbao Su, Zhuhai (CN)**

(73) Assignee: **Great-One Electronic Technology Co., Ltd, Zhuhai (CN)**

(**) Term: **15 Years**

(21) Appl. No.: **29/836,324**

(22) Filed: **Apr. 26, 2022**

(51) **LOC (14) Cl.** **14-03**

(52) **U.S. Cl.**
USPC **D14/188; D26/38**

(58) **Field of Classification Search**
USPC D14/167, 168, 170–172, 188, 193–198,
D14/203.1–203.8, 204, 209.1, 210–217,
D14/219, 221, 222, 224, 239, 496;
D26/37, 38

CPC B60R 11/0217; G06F 1/1688; G10K 9/22;
G10K 11/004; H03F 1/327; H04M 1/03;
H04M 1/035; H04N 5/642; H04N
21/4852; H04R 1/02; H04R 1/06; H04R
1/021; H04R 1/025; H04R 1/026; H04R
1/028; H04R 1/105; H04R 1/323; H04R
1/403; H04R 1/2803; H04R 1/2834;
H04R 5/02; H04R 7/20; H04R 9/06;
H04R 9/025; H04R 2201/021; H04R
2400/00; H04R 2400/07; H04R 2499/11;
H04R 2499/13; H04R 2499/15; H04S
3/00; H04S 7/30

See application file for complete search history.

(56) **References Cited**

U.S. PATENT DOCUMENTS

D376,663 S * 12/1996 Yuen D26/38
D472,335 S * 3/2003 Chan D26/38
D520,658 S * 5/2006 Yuen D26/38
D536,813 S * 2/2007 Yuen D26/38

OTHER PUBLICATIONS

Amazon—Runningsnail; “Emergency Hand Crank Radio . . . ”; [online] ‘https://www.amazon.com/dp/B01MFCFKG5’; Dated Oct. 26, 2016; Accessed Oct. 10, 2023; 7PGS. (Year: 2016).*

* cited by examiner

Primary Examiner — Keli L Hill

(74) *Attorney, Agent, or Firm* — Jeenam Park

(57) **CLAIM**

The ornamental design for a solar radio, as shown and described.

DESCRIPTION

FIG. 1 is a perspective view of a solar radio, showing my new design;

FIG. 2 is a front view thereof;

FIG. 3 is a rear view thereof;

FIG. 4 is a left side view thereof;

FIG. 5 is a right side view thereof;

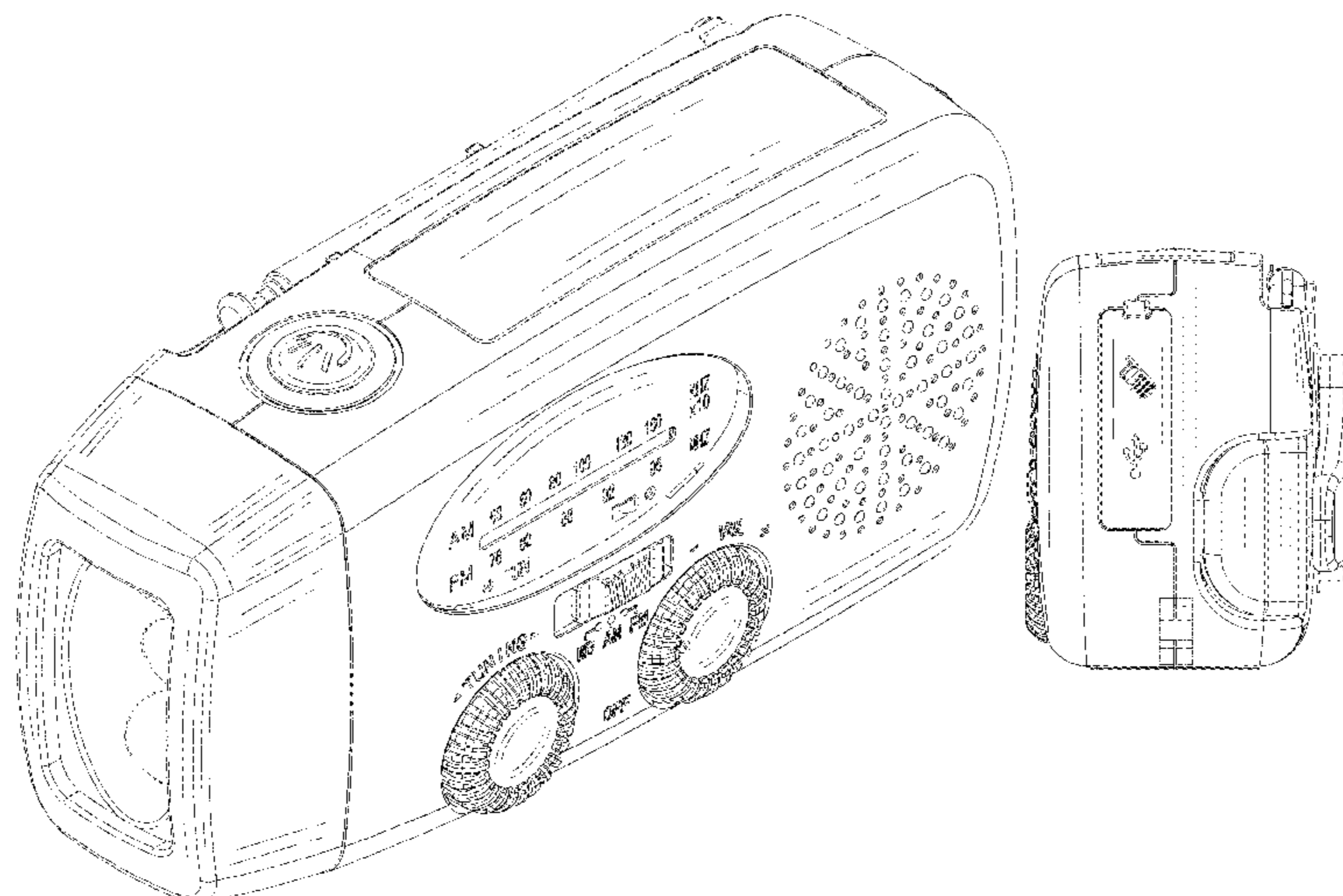
FIG. 6 is a top plan view thereof;

FIG. 7 is a bottom plan view thereof; and,

FIG. 8 is another perspective view thereof.

The broken lines shown in the drawings represent unclaimed portions of the article and form no part of the claimed design.

1 Claim, 8 Drawing Sheets



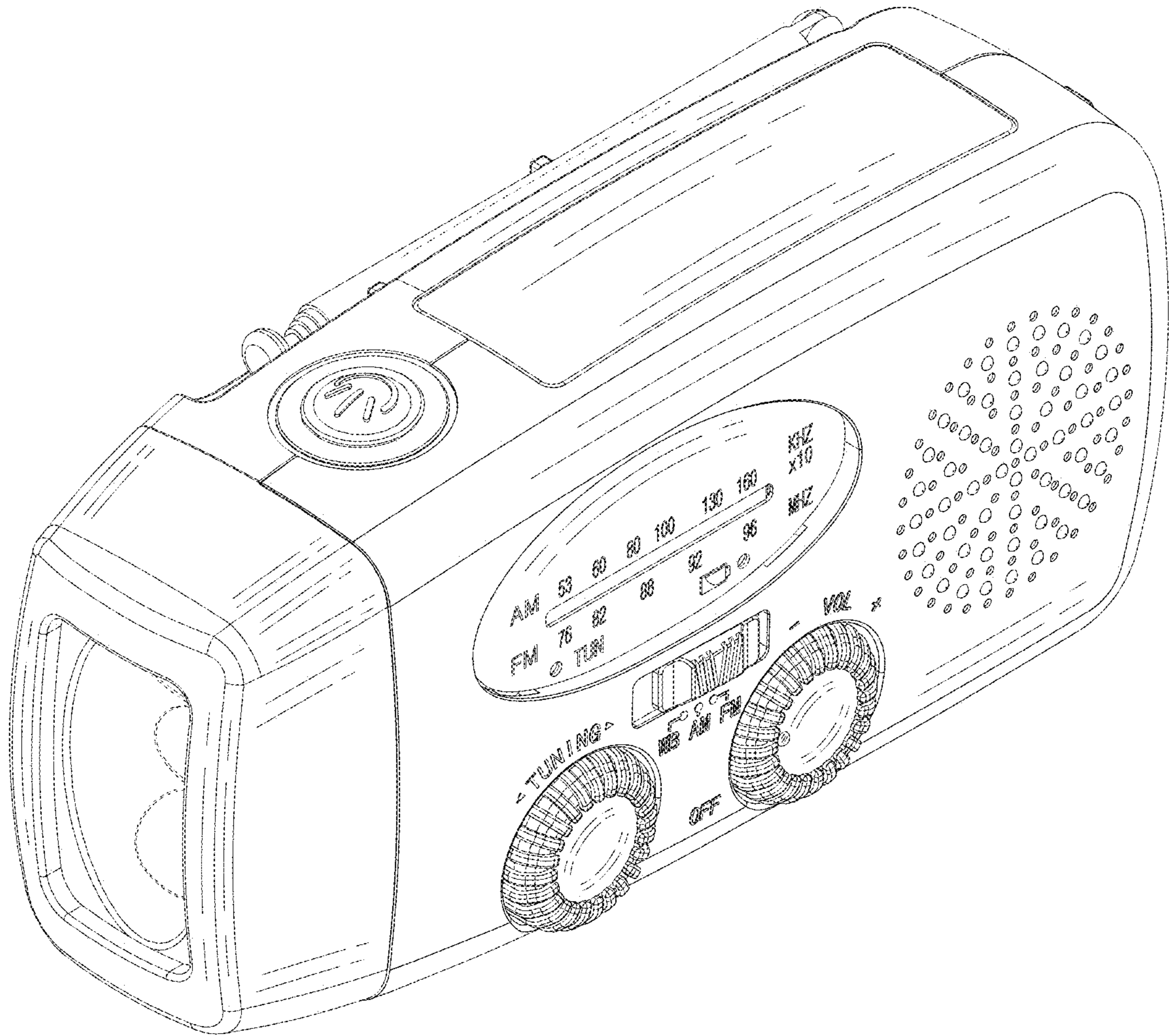


FIG. 1

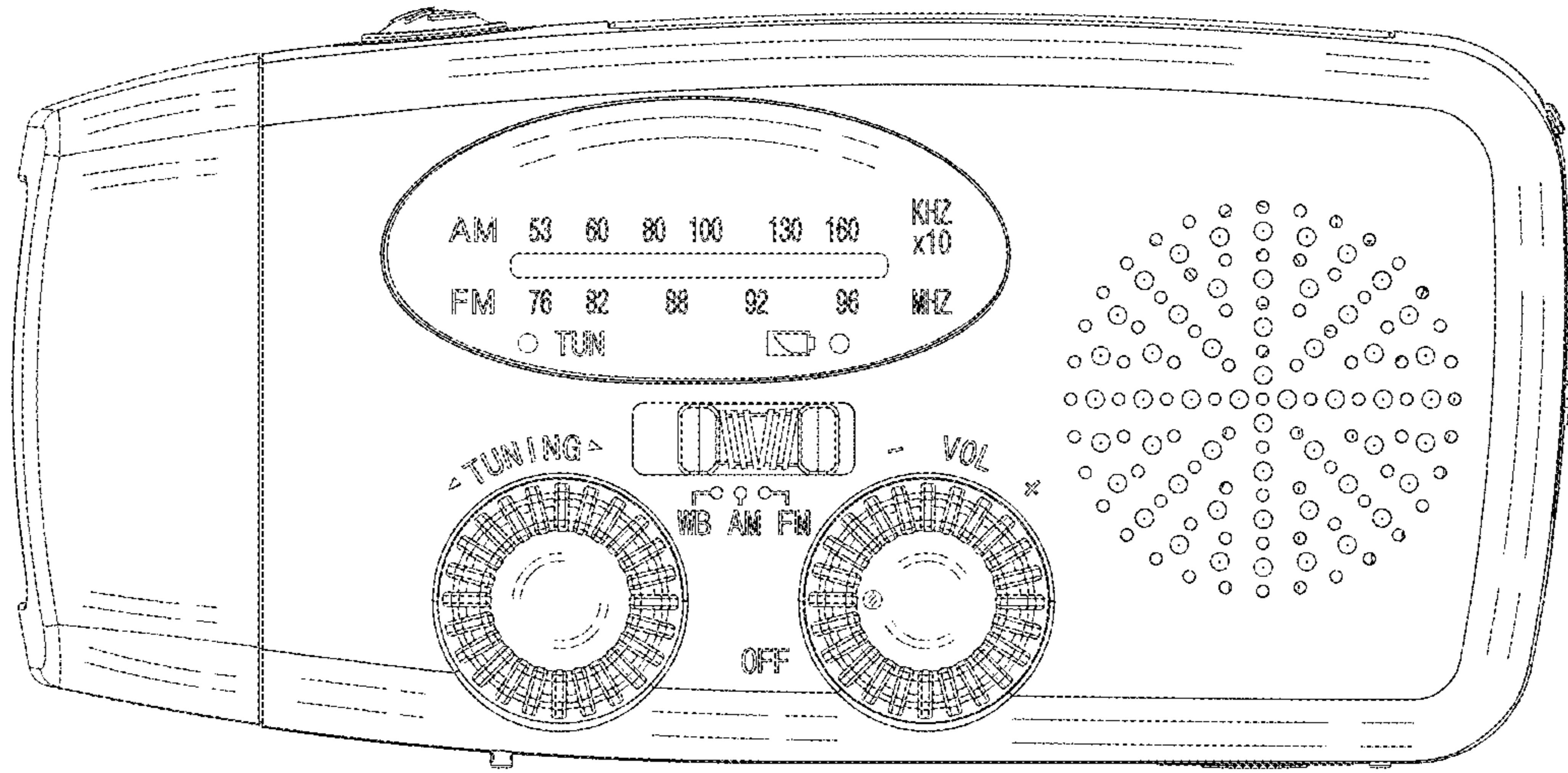


FIG. 2

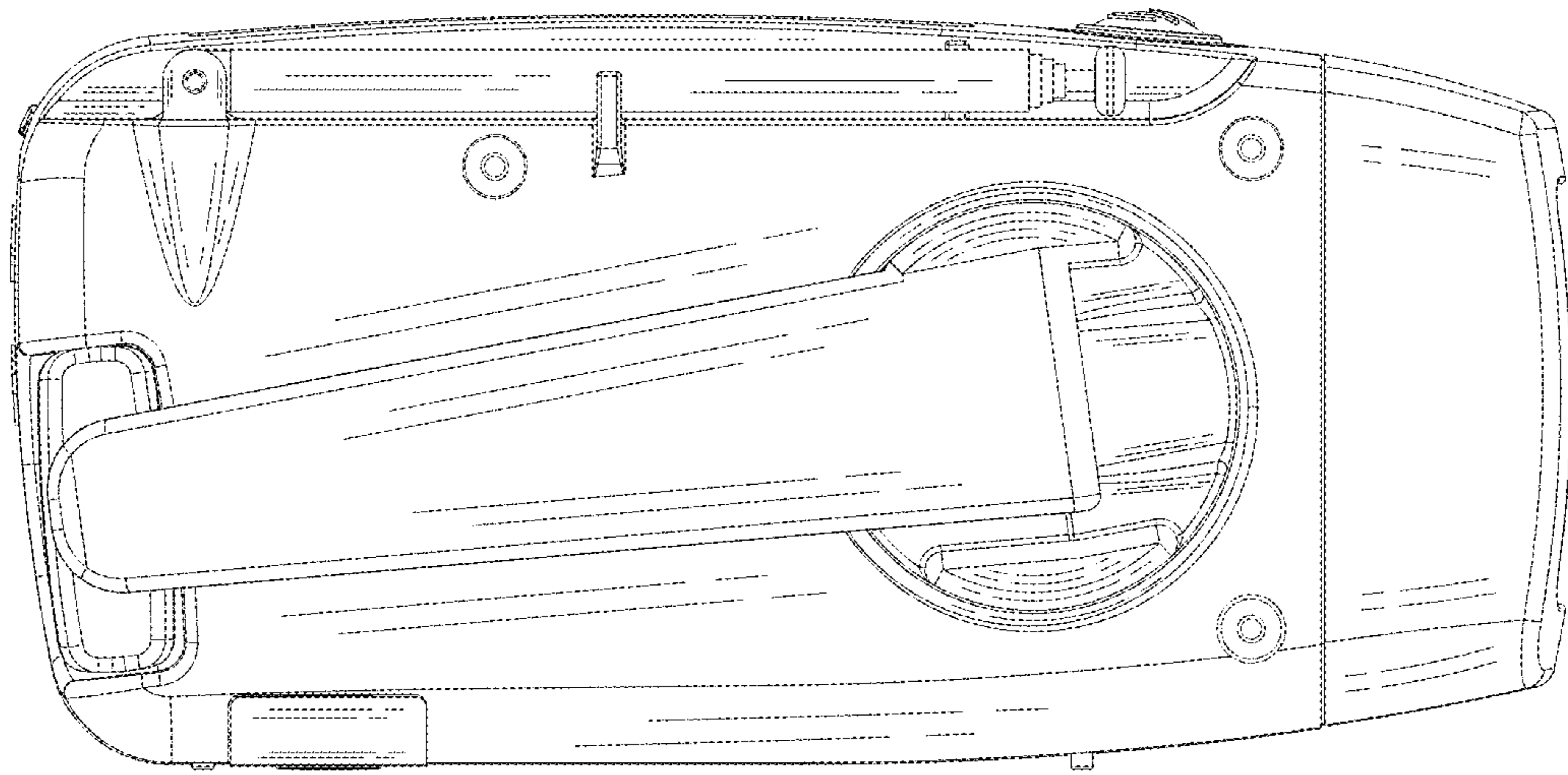


FIG. 3

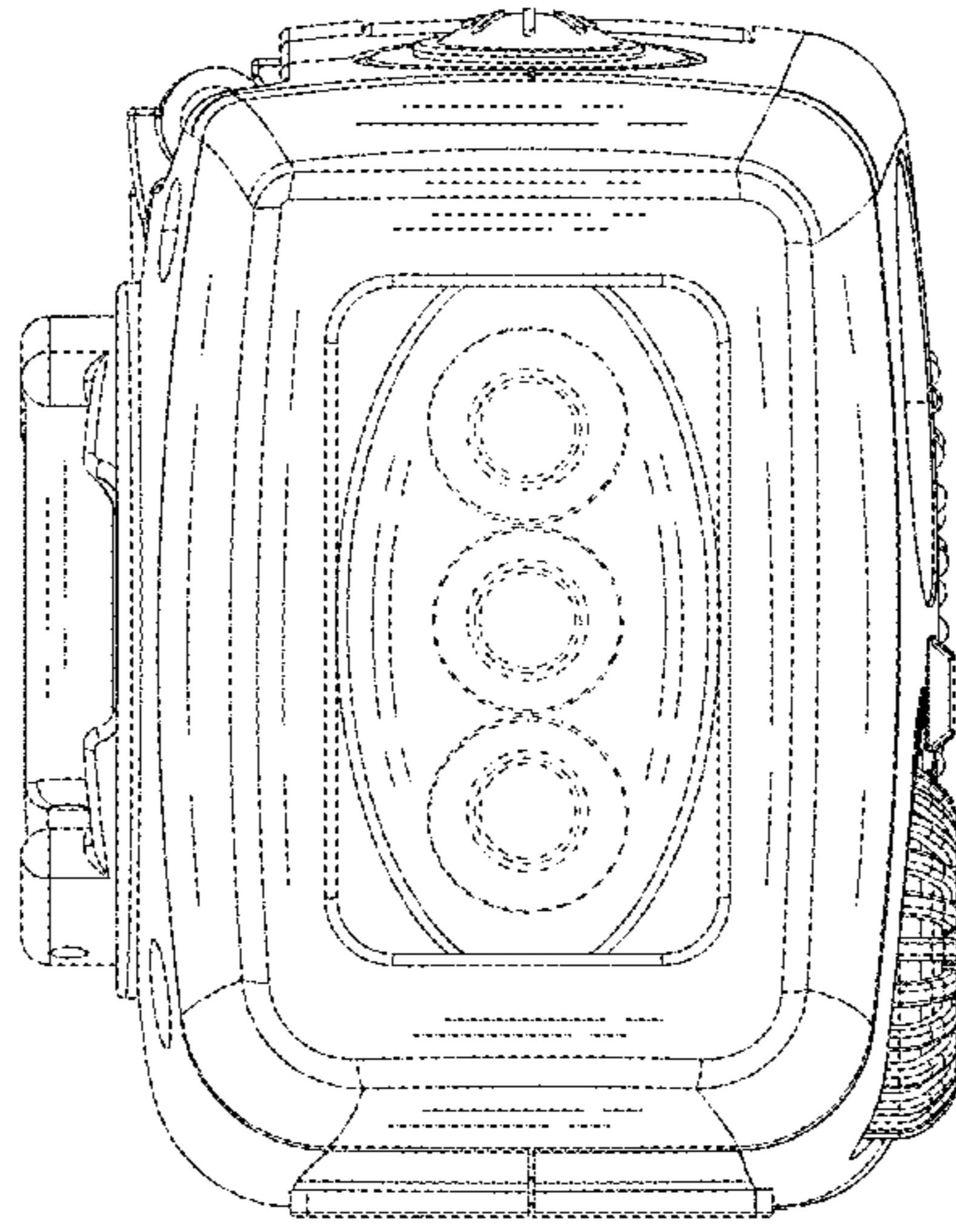


FIG. 4

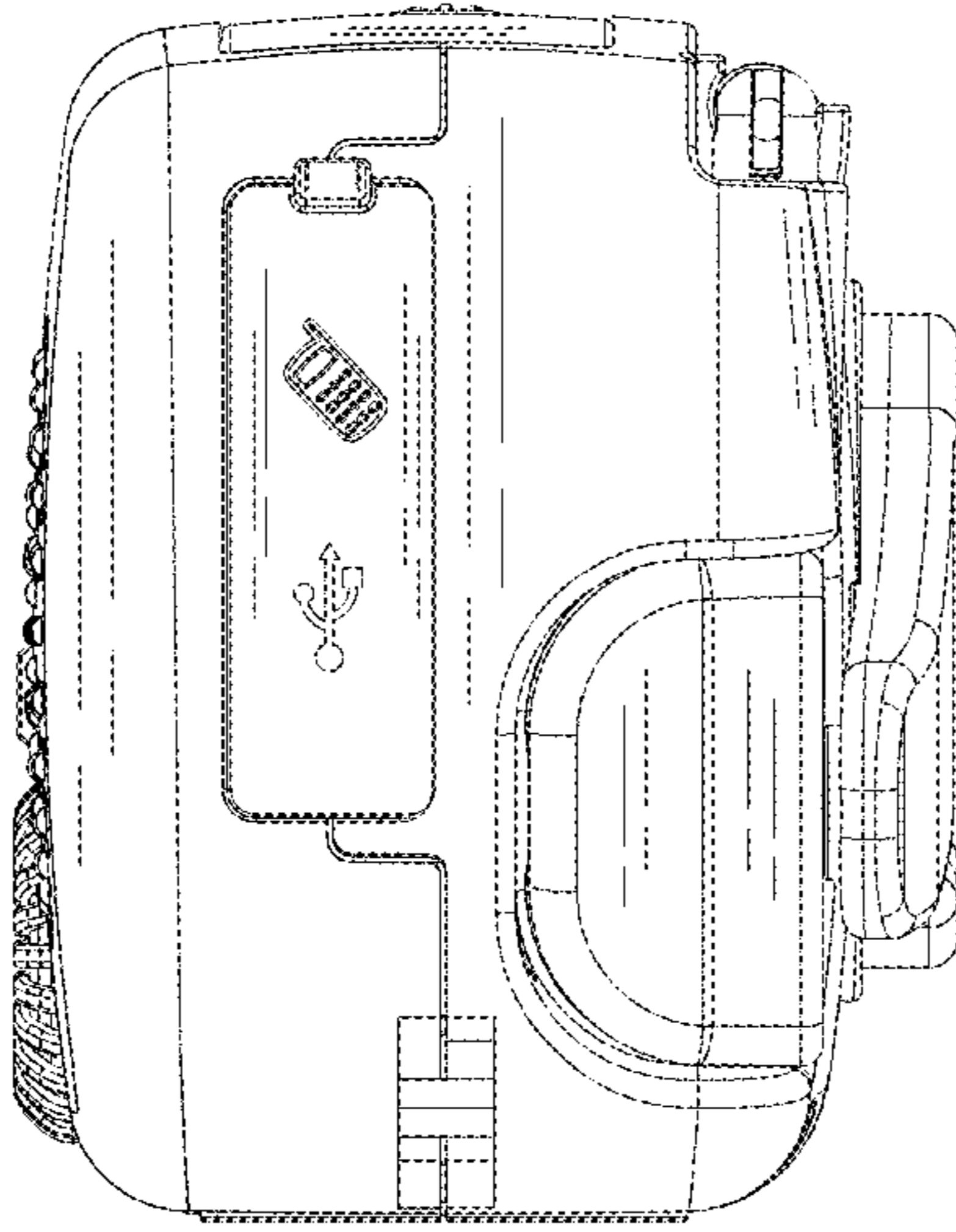


FIG. 5

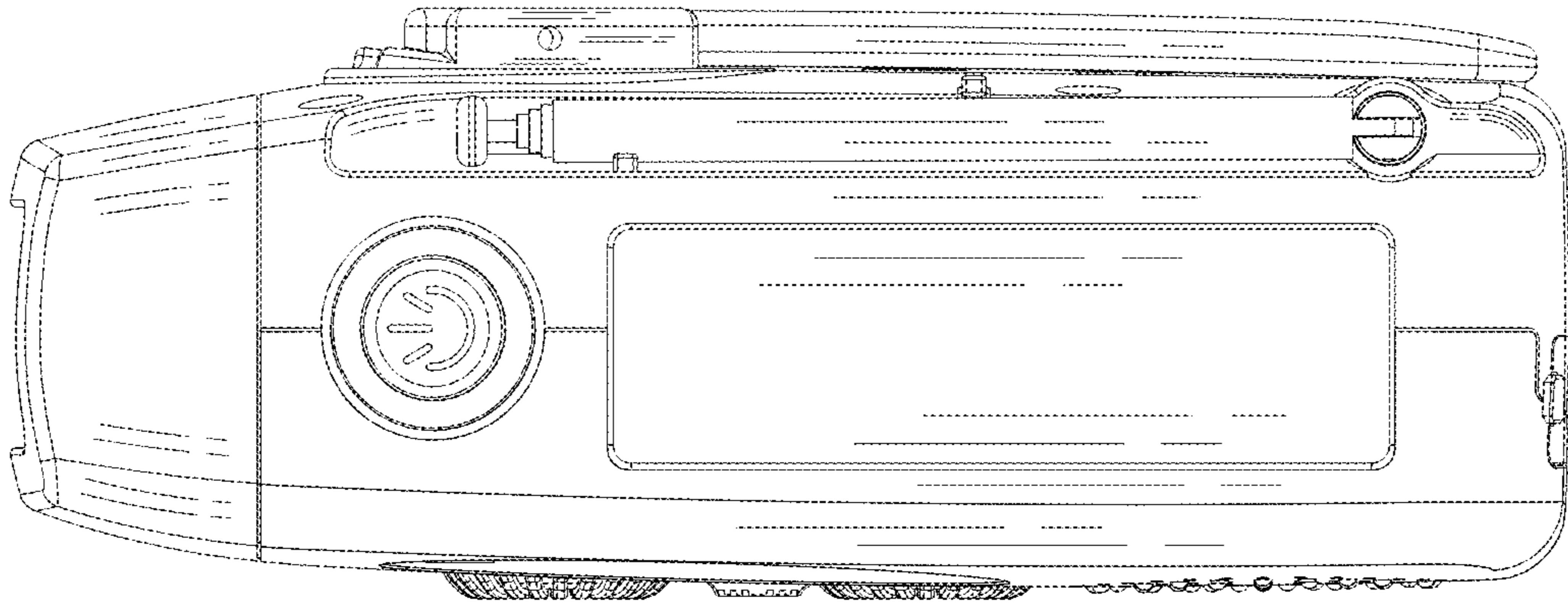


FIG. 6

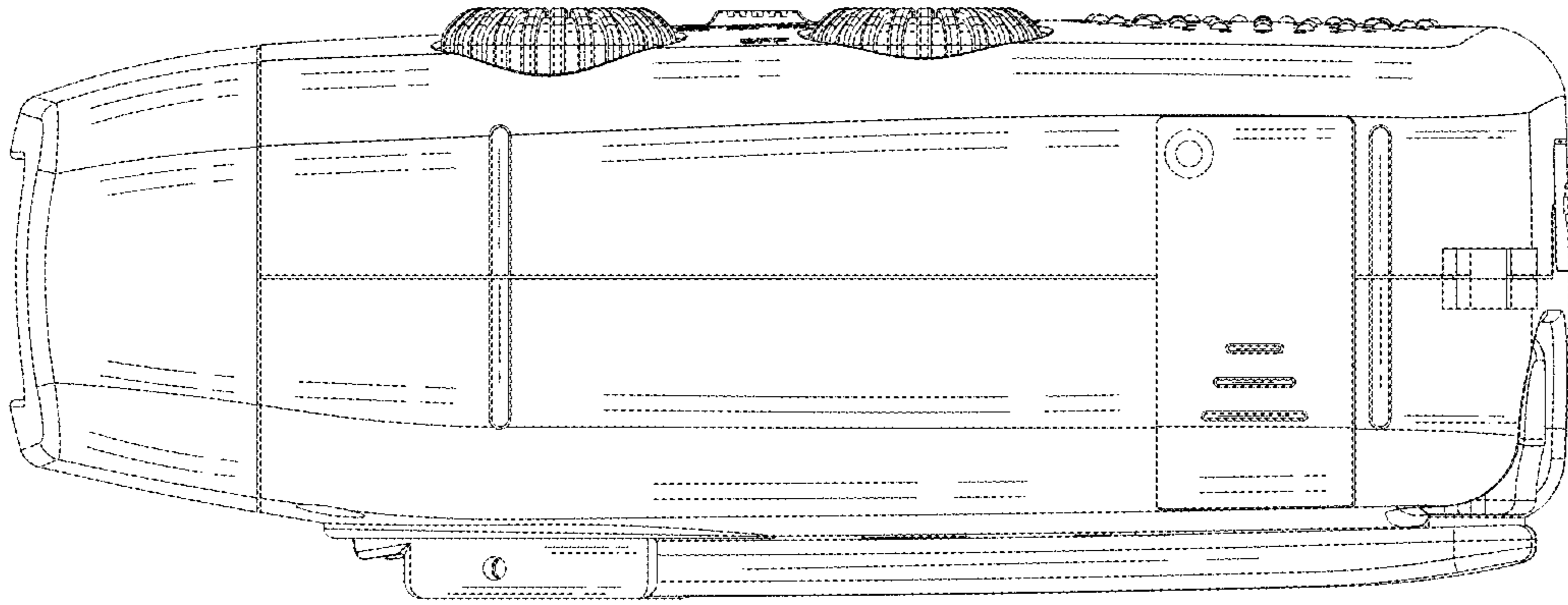


FIG. 7

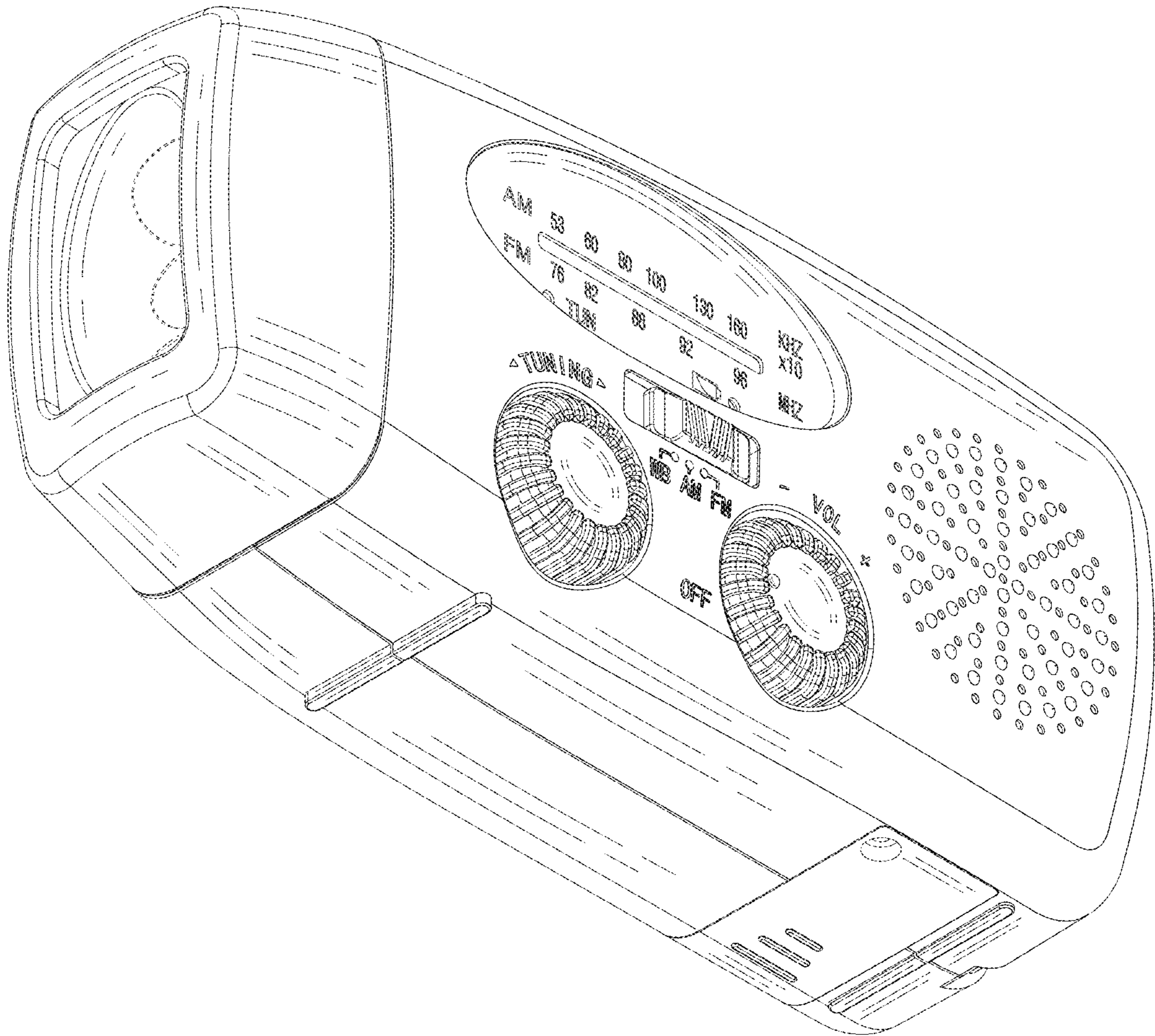


FIG. 8