



US0D1023829S

(12) **United States Design Patent** (10) **Patent No.:** **US D1,023,829 S**
Smith et al. (45) **Date of Patent:** **** Apr. 23, 2024**

(54) **STRAP ADAPTER**
(71) Applicant: **Vista Outdoor Operations LLC**,
Anoka, MN (US)
(72) Inventors: **Paul N. Smith**, Bozeman, MT (US);
Troy E. Lance, Livingston, MT (US);
Oscar C. Woods, Manhattan, MT (US);
Daniel D. Sereday, Belgrade, MT (US);
Christopher J. Michael, Belgrade, MT
(US)

4,953,767 A 9/1990 Bennett
5,551,611 A 9/1996 Gilmore
D375,161 S * 10/1996 Hart D24/134
D453,068 S 1/2002 Rogers et al.
6,547,118 B2 4/2003 Beletsky et al.
6,588,640 B1 7/2003 Rogers et al.
(Continued)

FOREIGN PATENT DOCUMENTS

EM 008000277 * 6/2020
WO WO2006076753 A1 7/2006

(73) Assignee: **Vista Outdoor Operations LLC**,
Anoka, MN (US)

OTHER PUBLICATIONS

Blackhawk Install Your Jacket Slot Leg Strap Adapter, Date Avail-
able Jul. 8, 2020, YouTube, Site Visited on Oct. 3, 2023: <https://www.youtube.com/watch?v=82rAbE8Fld8> (Year: 2020).*

(**) Term: **15 Years**

(Continued)

(21) Appl. No.: **29/737,815**

(22) Filed: **Jun. 11, 2020**

Primary Examiner — Gino Colan

(51) **LOC (14) Cl.** **02-07**

Assistant Examiner — Nicole M. Leech

(52) **U.S. Cl.**
USPC **D11/218**; D8/356

(74) *Attorney, Agent, or Firm* — Reed Smith LLP;
Matthew P. Frederick; Cheryl L. Gastineau

(58) **Field of Classification Search**
USPC D11/86–87, 200, 202, 212, 218; D2/627,
D2/639; D8/44, 349, 354, 356, 382–383,
D8/394; D30/138–140, 144, 151–153;
D29/122; D3/215, 222, 228
CPC A01K 27/002; A44B 11/00; A44B 11/006;
A44B 11/02; A44B 11/04; A44B 11/18;
A44B 19/00; A44B 19/10; A44B 19/14;
A44B 19/16; A44B 19/26; A44B 19/267;
A44B 19/30; A44B 19/303; A62B 35/00;
A62B 35/0031

See application file for complete search history.

(57) **CLAIM**

We claim the ornamental design for a strap adapter, as
shown and described.

(56) **References Cited**

U.S. PATENT DOCUMENTS

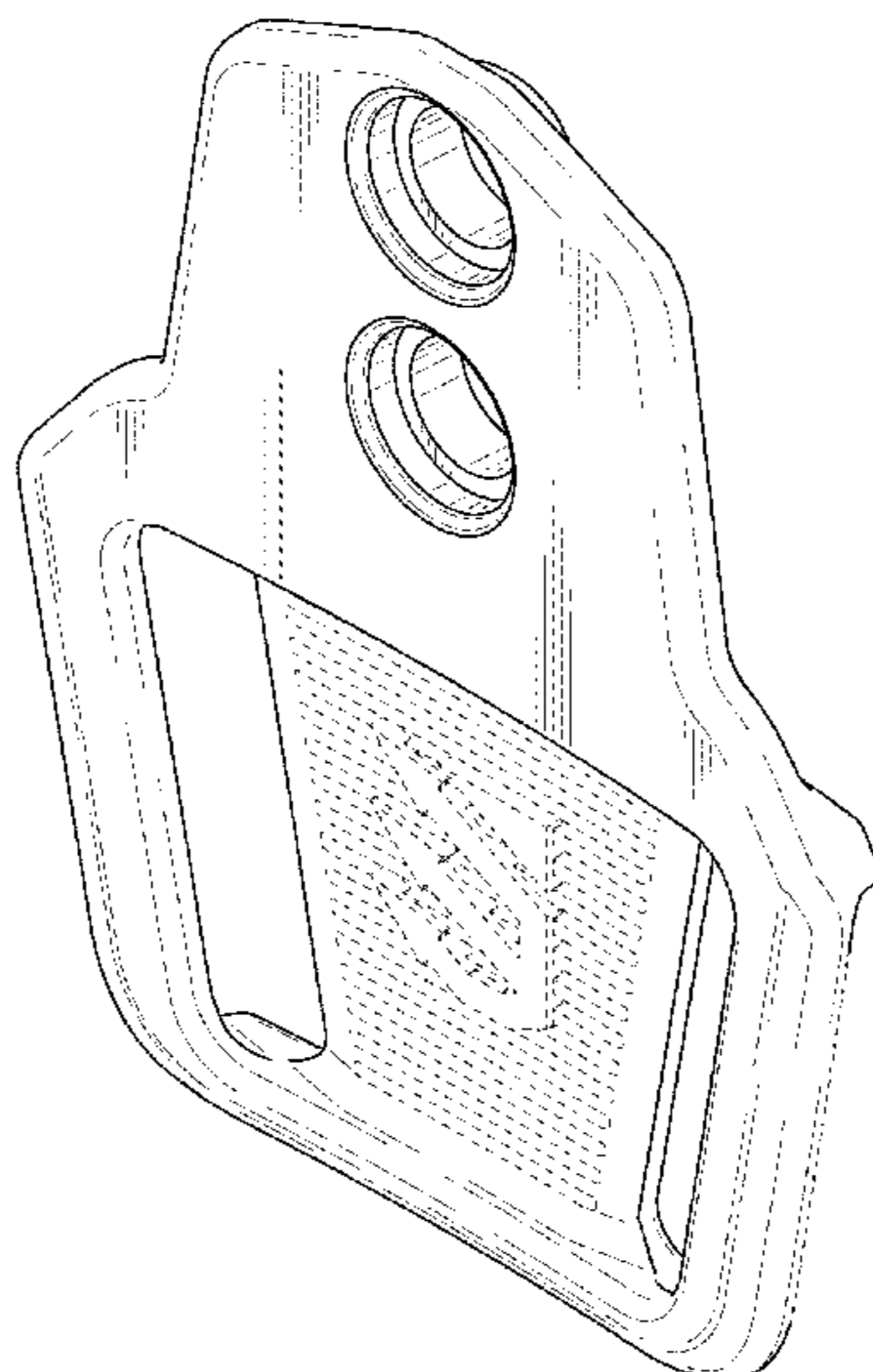
294,561 A * 3/1884 Allen A44B 11/22
24/174
343,118 A * 6/1886 Fischer A44B 11/22
54/87

DESCRIPTION

FIG. 1 is a front, top perspective view of a strap adaptor
showing our new design;
FIG. 2 is a rear, bottom perspective view thereof;
FIG. 3 is a front view thereof;
FIG. 4 is a rear view thereof;
FIG. 5 is a left side view thereof;
FIG. 6 is a right side view thereof;
FIG. 7 is a top view thereof; and,
FIG. 8 is a bottom view thereof.

The broken lines in the drawings represent portions of the
strap adaptor and form no part of the claimed design.

1 Claim, 6 Drawing Sheets



(56)

References Cited

U.S. PATENT DOCUMENTS

D497,834 S * 11/2004 Kawamura D11/218
 D567,707 S * 4/2008 Yeates D11/200
 D568,785 S * 5/2008 Yang D11/218
 7,950,554 B2 5/2011 Hoffner et al.
 8,196,792 B2 6/2012 Clifton
 D718,186 S * 11/2014 Iannello D11/218
 D731,294 S * 6/2015 Swan D8/356
 9,222,751 B2 12/2015 Glock
 D807,028 S 1/2018 Resca
 D807,029 S 1/2018 Resca
 D828,019 S 9/2018 Dara
 D839,590 S 2/2019 Vedder
 D860,642 S 9/2019 Dara
 D876,019 S * 2/2020 Petzl D30/139
 D901,329 S * 11/2020 McCorkle D11/218
 D913,843 S * 3/2021 Noble D11/208
 D961,916 S * 8/2022 You D3/222
 2019/0293386 A1 * 9/2019 Smith F41C 33/043
 2020/0158465 A1 * 5/2020 Smith F41C 33/0227
 2021/0389082 A1 * 12/2021 Smith F41C 33/0263
 2022/0322640 A1 * 10/2022 Ryan A01K 27/009
 2023/0121728 A1 * 4/2023 Smith F41C 33/0263
 224/663
 2023/0417509 A1 * 12/2023 Smith F41C 33/0236

OTHER PUBLICATIONS

Safariland Drop Flex Adapter, Date Available Aug. 4, 2010, Amazon, Site Visited on Oct. 3, 2023: <https://www.amazon.com/SAFARILAND-Adapter-Holsters-Assembly-Polymer/dp/B003YDA4AG/> (Year: 2010).*

Safariland Mid Ride Mount Belt Loop, Date Available Mar. 19, 2020, Tier1Concealed, Site Visited on Oct. 3, 2023: <https://www.tier1concealed.com/products/safariland-ubl-mid-ride-mount?variant=54541722453> (Year: 2020).*

Safariland Model 6004-27—Single Strap Leg Shroud With Drop Flex Adapter (DFA) & QLS 22, Site visited Dec. 13, 2023: <https://safariland.com/products/model-6004-27-single-strap-leg-shroud-with-drop-flex-adapter-dfa-and-qls-22-23115>.

Safariland Model 6070 Mid Ride Universal Ride Belt Loop with QLS22, Site visited Dec. 13, 2023 <https://www.optactical.com/sa63un2midri.html>.

Safariland Model 6004 Single Strap Leg Shroud Holster, Site visited Dec. 13, 2023 <https://www.opticsplanet.com/safariland-model-6004-small-holster.html>.

* cited by examiner

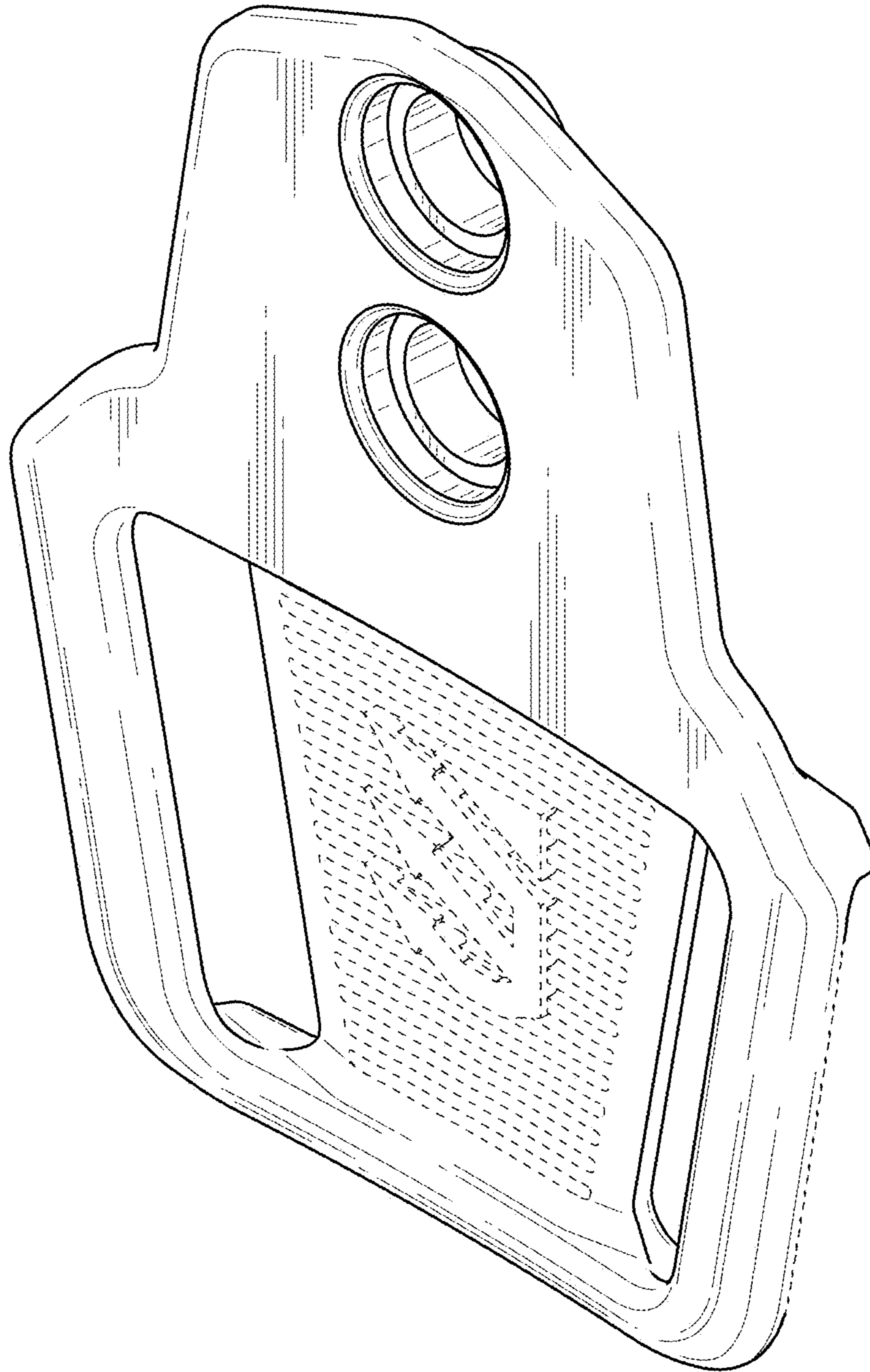


FIG. 1

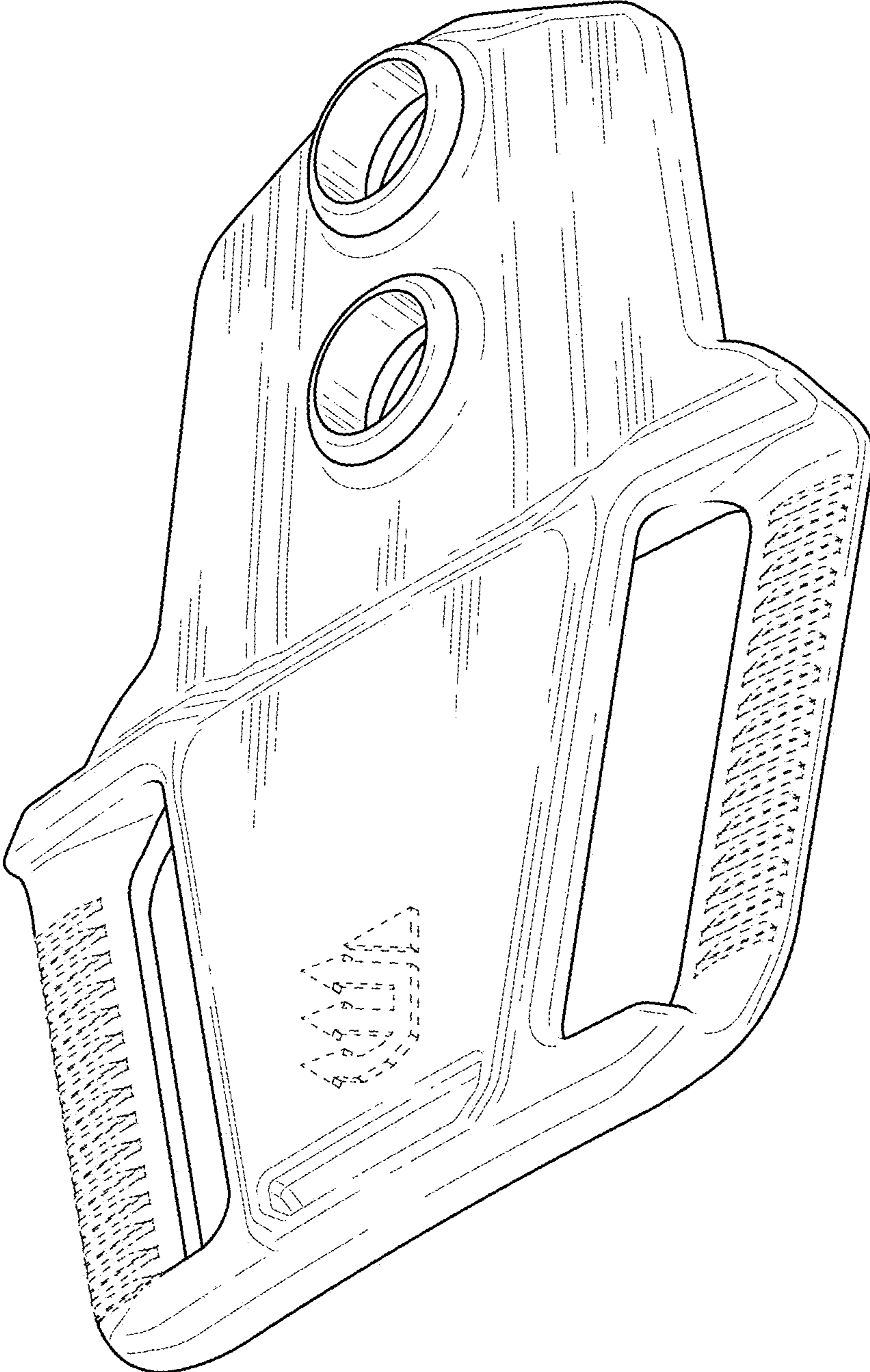


FIG. 2

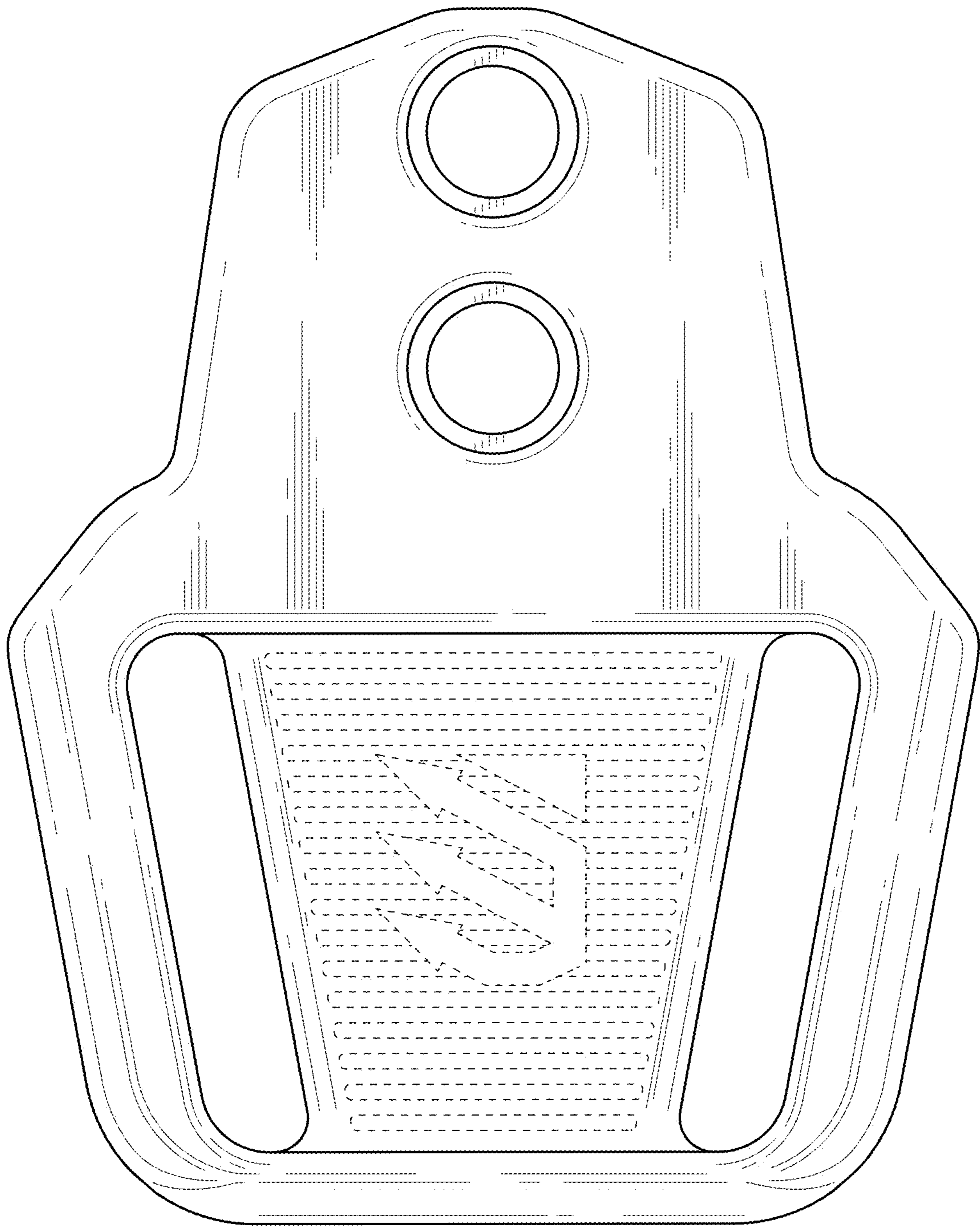


FIG. 3

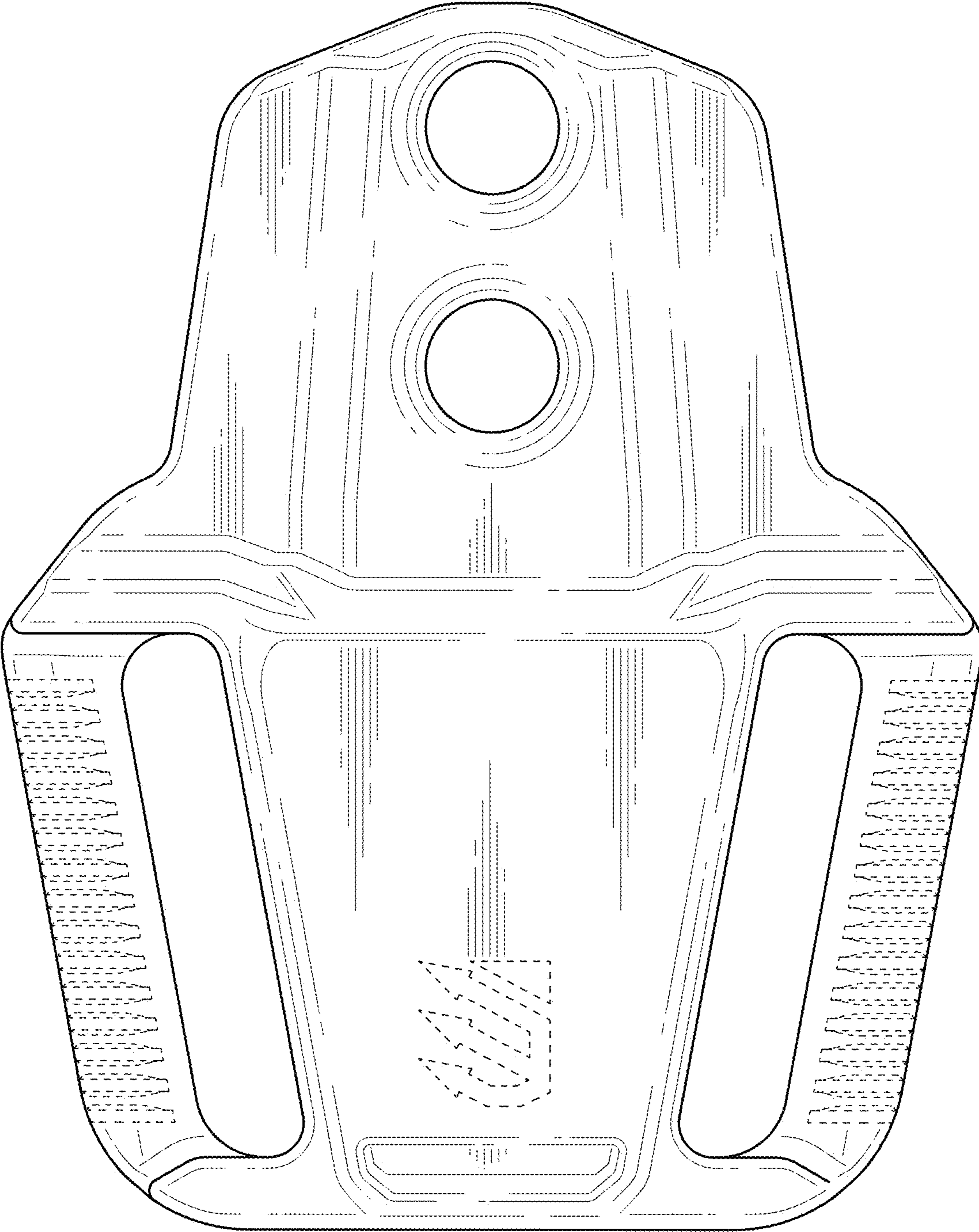


FIG. 4

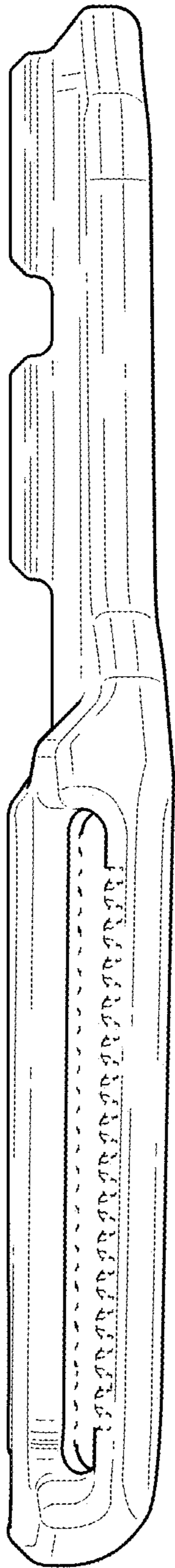


FIG. 5

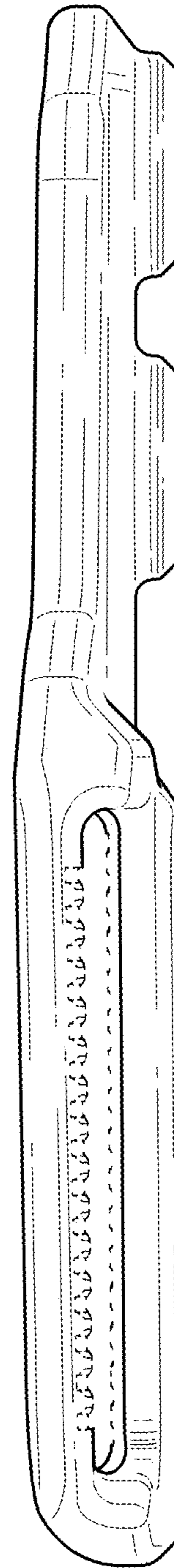


FIG. 6

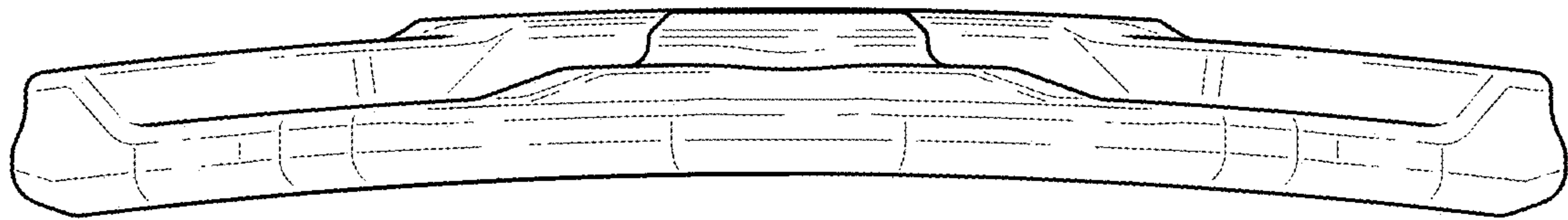


FIG. 7

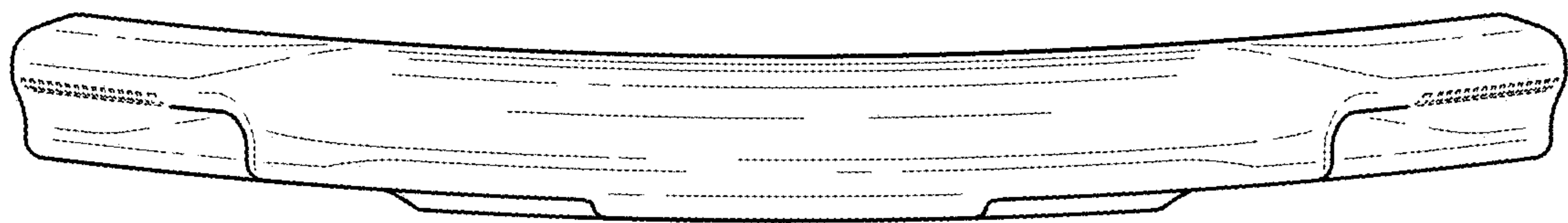


FIG. 8