



US0D1023772S

(12) **United States Design Patent** (10) **Patent No.:** **US D1,023,772 S**
Dames (45) **Date of Patent:** **** Apr. 23, 2024**

(54) **PERFUME BOTTLE WITH CAP** D230,183 S * 1/1974 Silber D11/86
D236,361 S * 8/1975 Maura D21/388
(71) Applicant: **FRAGRANCES BY ELLA BLAIR,** D973,502 S * 12/2022 Vivas Carmen D9/632
LLC., South Euclid, OH (US) D1,002,740 S * 10/2023 Epps D21/348

(72) Inventor: **Daniel Dames,** South Euclid, OH (US)

(73) Assignee: **FRAGRANCES BY ELLA BLAIR,**
LLC., South Euclid, OH (US)

(**) Term: **15 Years**

(21) Appl. No.: **29/824,273**

(22) Filed: **Jan. 24, 2022**

(51) **LOC (14) Cl.** **09-01**

(52) **U.S. Cl.**
USPC **D9/600; D9/504**

(58) **Field of Classification Search**
USPC D9/504, 516, 520, 550, 552, 560, 600,
D9/682-694, 439, 544, 546, 632;
D28/91.1; D21/388
CPC B65D 83/14; B65D 83/384; B65D 83/425;
B65D 81/3255; B65D 23/0885; B65D
1/02; B65D 1/0223; B65D 1/023; B65D
1/0261; B65D 2501/009; B65D
2501/0081; B01F 33/50111; A45D 34/06;
B05B 11/3047; B05B 11/00412; B05B
11/0032

See application file for complete search history.

(56) **References Cited**

U.S. PATENT DOCUMENTS

D107,035 S * 11/1937 Stone D9/632
D114,667 S * 5/1939 Robinson D9/600
D129,968 S * 10/1941 Robinson D9/600
2,665,913 A * 1/1954 Hlavac A63F 3/00694
235/90

FOREIGN PATENT DOCUMENTS

CN 300839686 * 4/2007
CN 301815777 * 1/2012
CN 306392408 * 9/2020
CN 307408539 * 6/2022

OTHER PUBLICATIONS

1940's Antique Mary Chess Glass Scent Bottle_Ancient Point, [date first available: 1940's], [date found online: Aug. 24, 2023], http://ancientpoint.com/inf/80747-rare_1940_s_antique_mary_chess_glass_scent_bottle_set_w_gilt_chess_stops_case.html (Year: 1940).*

(Continued)

Primary Examiner — Richard A Edgar
Assistant Examiner — Katherine E Morris
(74) *Attorney, Agent, or Firm* — Emerson Thomson
Bennett; Daniel A. Thomson

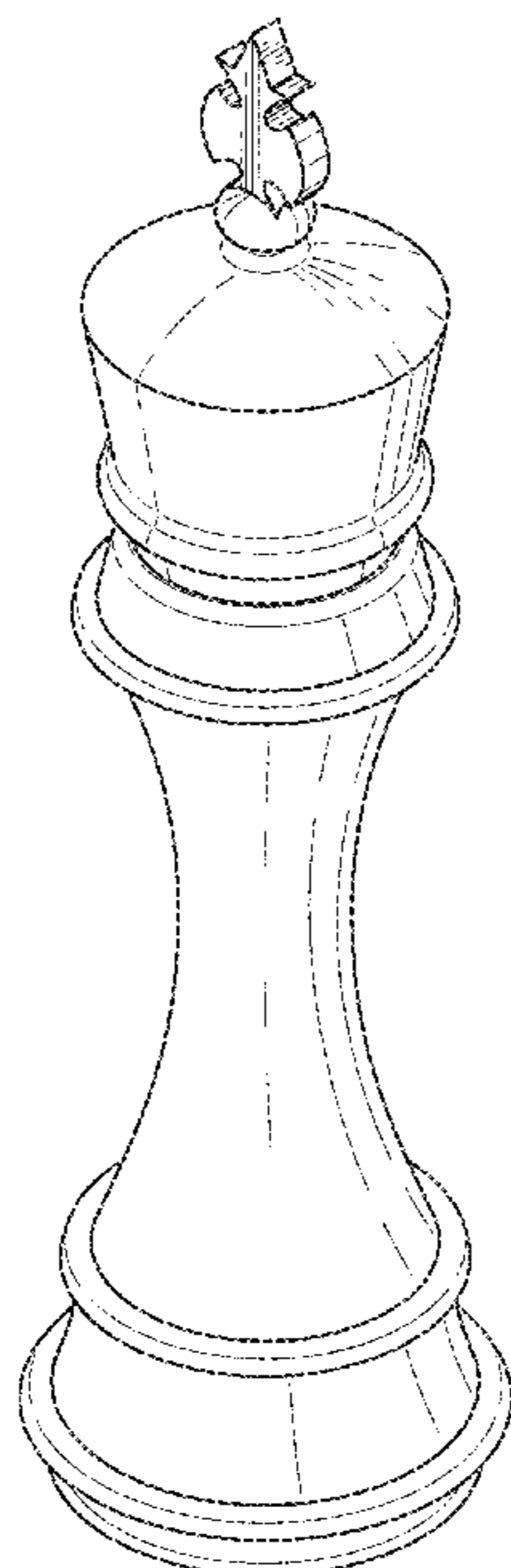
(57) **CLAIM**

The ornamental design for a perfume bottle with cap, as shown and described.

DESCRIPTION

FIG. 1 is a perspective view of a perfume bottle with cap showing my new design;
FIG. 2 is a front view thereof;
FIG. 3 is a right-side view thereof;
FIG. 4 is a top view thereof;
FIG. 5 is a bottom view thereof; and,
FIG. 6 is a perspective view of a perfume bottle with cap with the bottle and cap separated.

1 Claim, 5 Drawing Sheets



(56)

References Cited

OTHER PUBLICATIONS

Chess Sets and Boards_Amazon, [date first available: Dec. 9, 2021], [date found online: Aug. 24, 2023], <https://www.amazon.ca/Boards-Bronze-Pieces-Folding-Professional/dp/B09NBVFBRX> (Year: 2021).*

1940's Antique Mary Chess_Ancient Point, [date first available: 1940's], [date found online: Aug. 24, 2023], http://ancientpoint.com/inf/80747-rare_1940_s_antique_mary_chess_glass_scent_bottle_set_w_gilt_chess_stops_case.html (Year: 1940).*

Chess sets and Boards_Amazon, [date first available: Dec. 9, 2021], [date found online: Aug. 24, 2023], <https://www.amazon.com/International-High-Grade-Travel-Folding-Chessboard/dp/B0BQMFJCH5> (Year: 2021).*

* cited by examiner

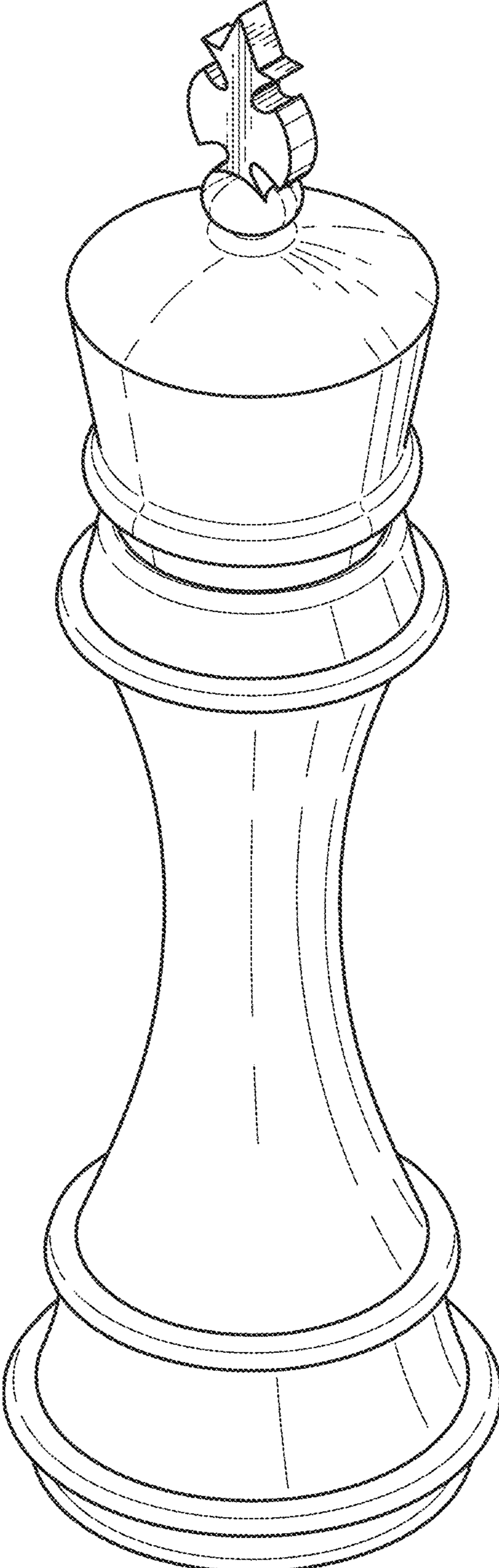


FIG. 1

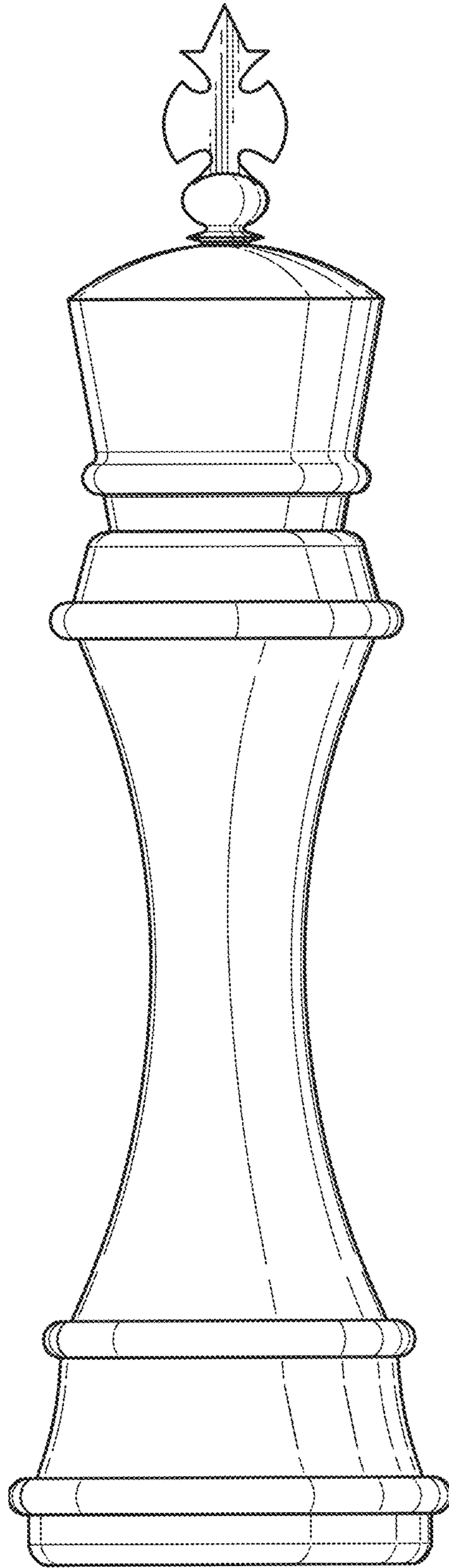


FIG. 2

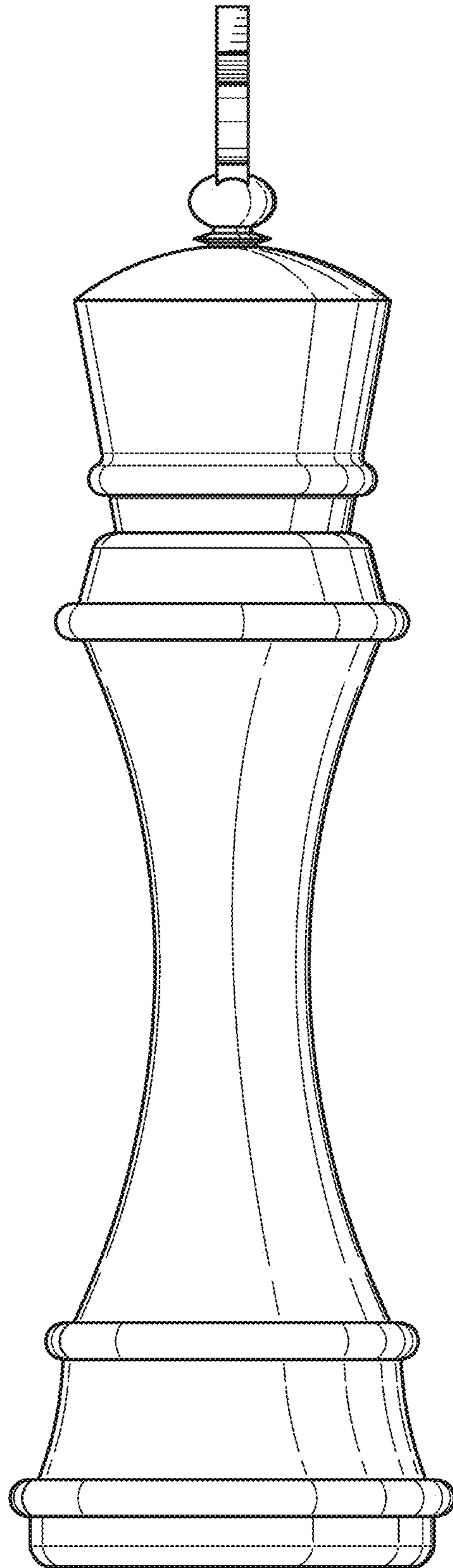


FIG. 3

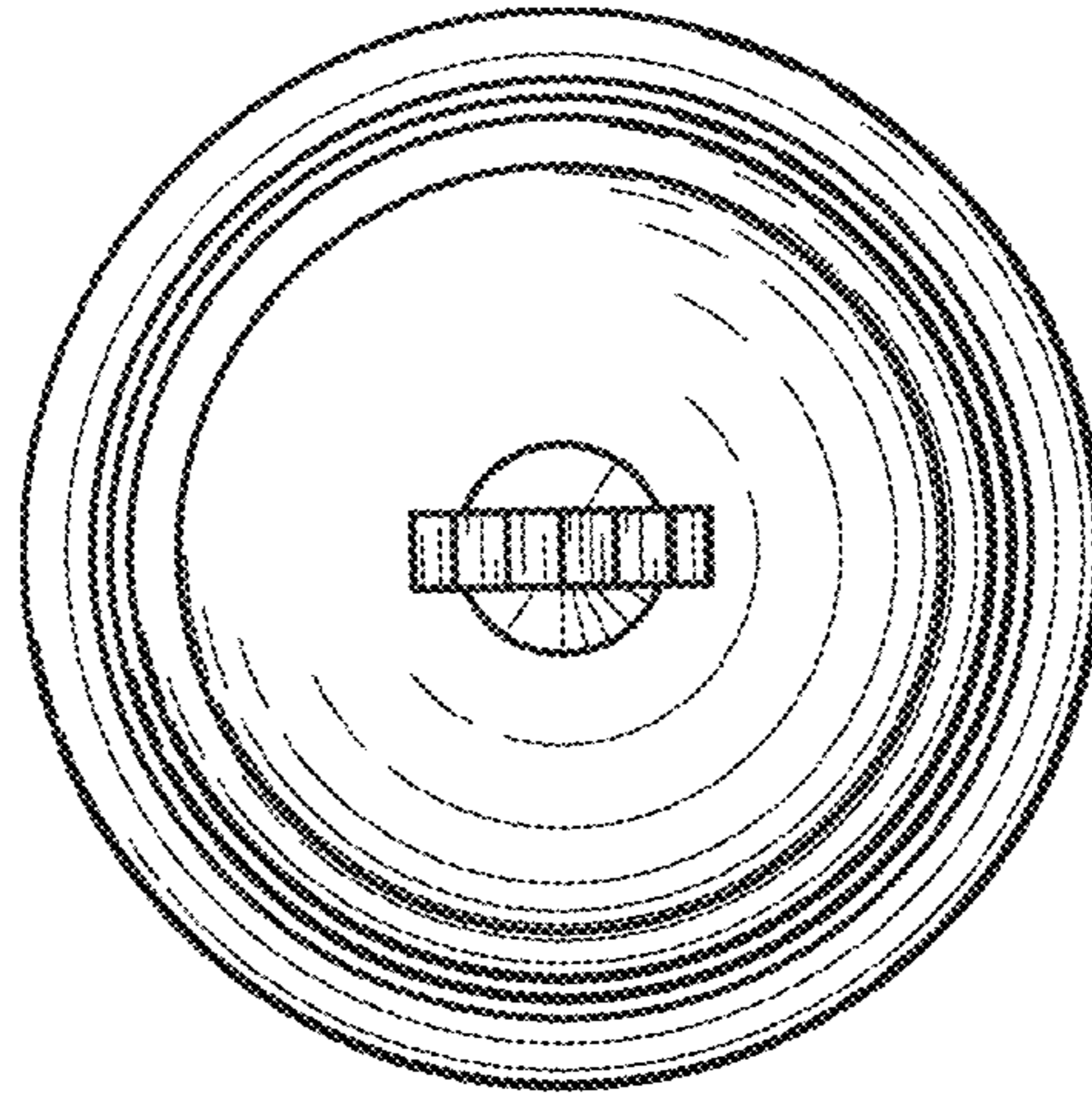


FIG. 4

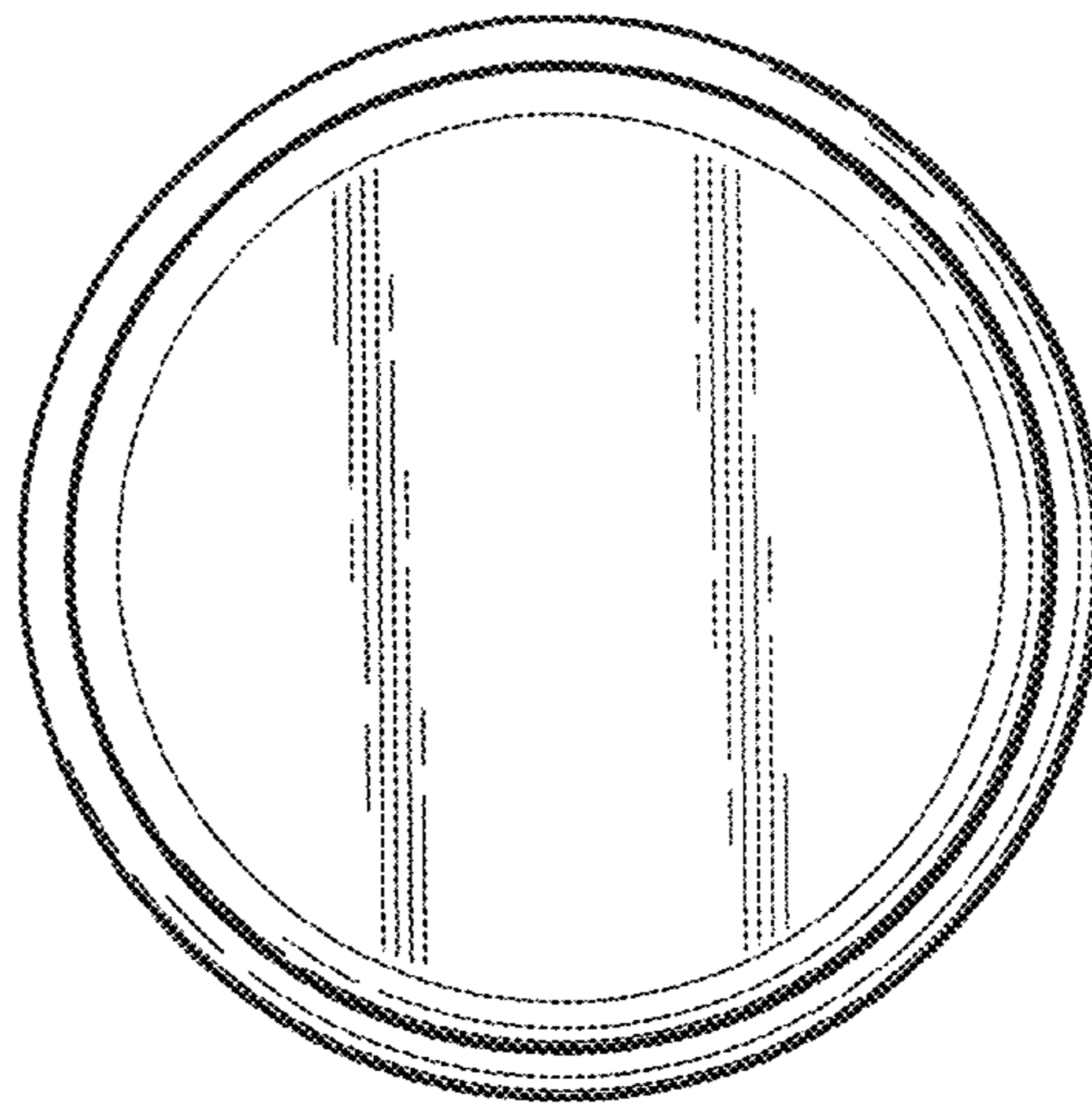


FIG. 5

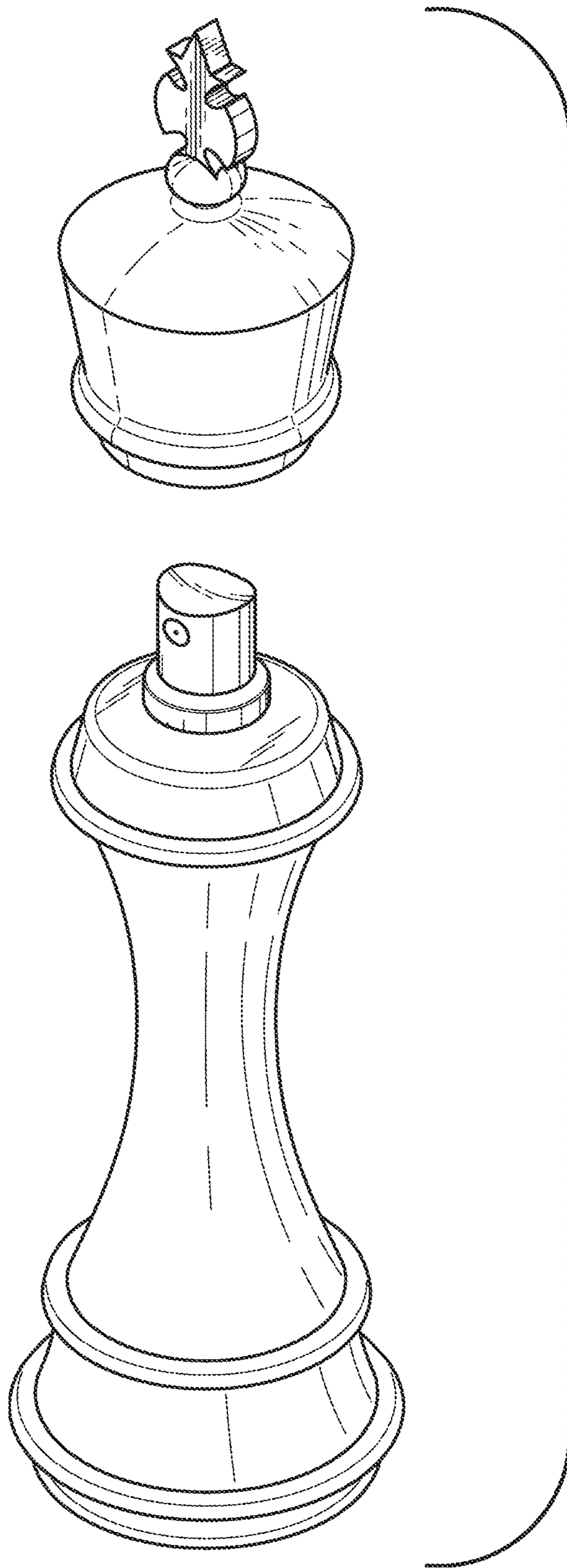


FIG. 6