



US0D1023457S

(12) **United States Design Patent** (10) **Patent No.:** **US D1,023,457 S**  
**Zeng** (45) **Date of Patent:** **\*\* Apr. 16, 2024**

(54) **HAIR CURLER**

(71) Applicant: **Ziwen Qiu**, Liuyang (CN)

(72) Inventor: **Shiping Zeng**, Guangzhou (CN)

(\*\*) Term: **15 Years**

(21) Appl. No.: **29/866,795**

(22) Filed: **Sep. 27, 2022**

(51) **LOC (14) Cl.** ..... **28-03**

(52) **U.S. Cl.**  
USPC ..... **D28/37**

(58) **Field of Classification Search**  
USPC ..... D28/35, 13-15, 18  
CPC ..... A45D 2/362; A45D 2/367; A45D 2/36;  
A45D 20/48-50; A45D 2001/008; A45D  
2001/004; A45D 2001/045; A45D 1/00;  
A45D 1/04; A45D 1/28; A45D 1/08  
See application file for complete search history.

(56) **References Cited**

**U.S. PATENT DOCUMENTS**

D143,772 S	2/1946	Vaughn	
D721,456 S *	1/2015	Sayers	D28/18
D811,009 S *	2/2018	Smith	D28/13
D848,067 S *	5/2019	Heffer	D28/18
D902,484 S *	11/2020	Ou	D28/35
D957,054 S *	7/2022	Yang	D28/35
D961,154 S *	8/2022	Kirkbride	D28/18
D961,155 S *	8/2022	Kirkbride	D28/18
D965,877 S *	10/2022	Luo	D28/35
D967,520 S *	10/2022	Smith	D28/37
D973,273 S *	12/2022	Kirkbride	D28/18
D973,274 S *	12/2022	Kirkbride	D28/18
D985,197 S *	5/2023	Fu	D28/18
D987,181 S *	5/2023	Janowick	D28/18
D998,890 S *	9/2023	Du	D28/35
2014/0083446 A1 *	3/2014	Julemont	A45D 7/02 132/229

2017/0273422 A1 *	9/2017	Heffer	A45D 20/00
2017/0273425 A1 *	9/2017	Stephens	A45D 20/12
2018/0192756 A1 *	7/2018	Bennett	A45D 6/04

**FOREIGN PATENT DOCUMENTS**

CN	214854933 U *	11/2021	A45D 1/18
CN	216316147 U *	4/2022	A45D 1/04
CN	116869268 A *	10/2023	A45D 1/00
GB	2527834 A *	1/2016	A45D 1/04
GB	2602799 A *	7/2022	A45D 20/10
GB	2617074 A *	10/2023	A45D 1/00

**OTHER PUBLICATIONS**

Hot air brush by Yitrust—6 in 1 hair dryer brush, www.amazon.com, 1 page, first available Mar. 2023 (Year: 2023).\*

\* cited by examiner

*Primary Examiner* — Jennifer Rivard  
(74) *Attorney, Agent, or Firm* — Xia Li

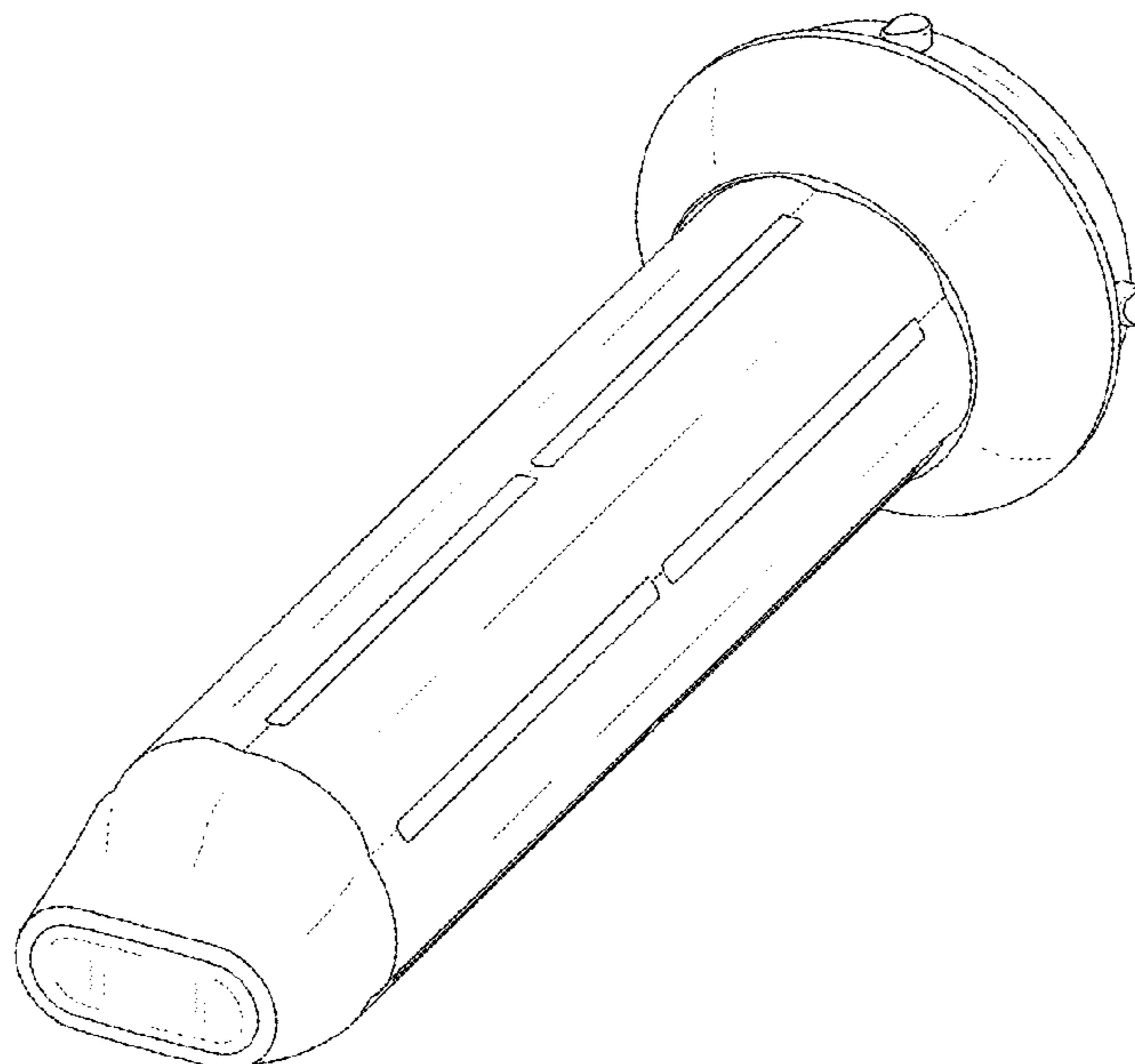
(57) **CLAIM**

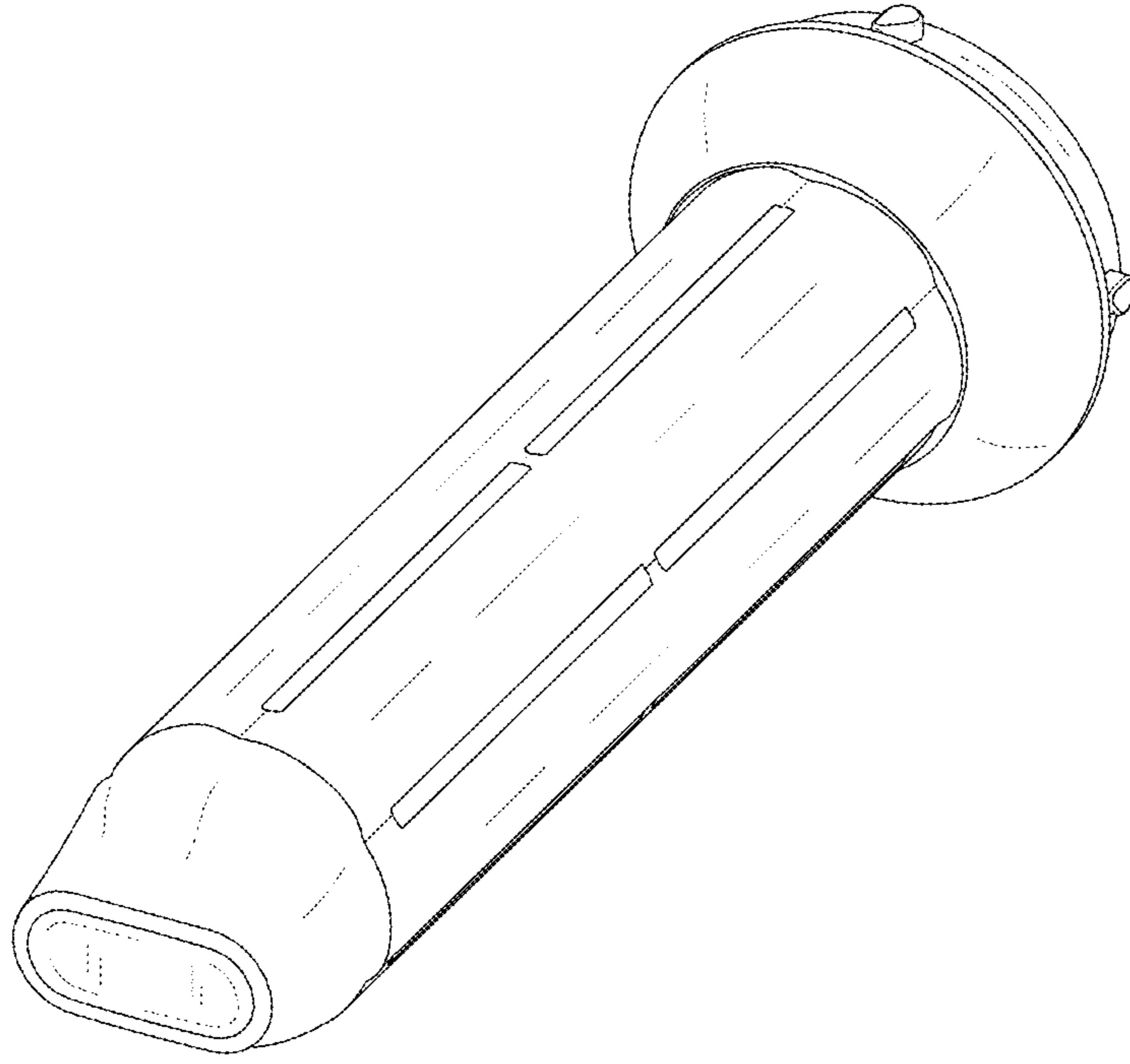
The ornamental design for a hair curler, as shown and described.

**DESCRIPTION**

FIG. 1 is perspective view of a Hair curler showing my new design;  
FIG. 2 is front elevation view thereof;  
FIG. 3 is a rear elevational view thereof;  
FIG. 4 is a left elevational view thereof;  
FIG. 5 is a right elevational view thereof;  
FIG. 6 is a top plan view thereof; and,  
FIG. 7 is a bottom plan view thereof.  
The broken lines in the drawings depict portions of the hair curler that form no part of the claimed design.

**1 Claim, 7 Drawing Sheets**





**FIG. 1**

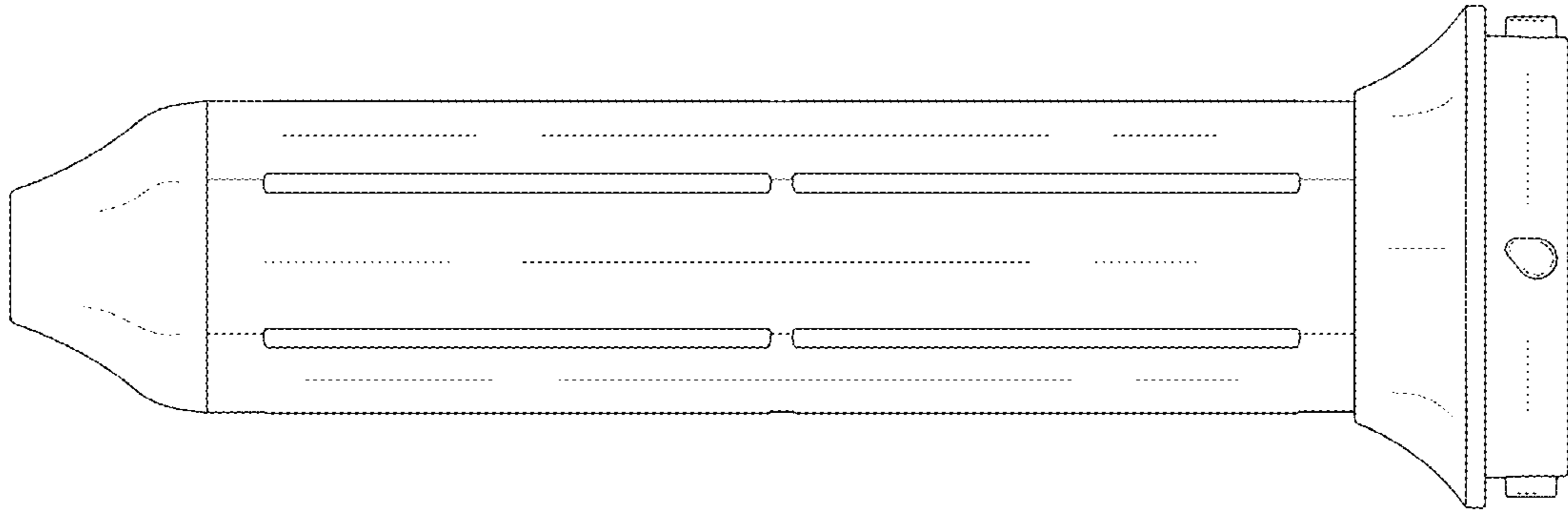


FIG. 2

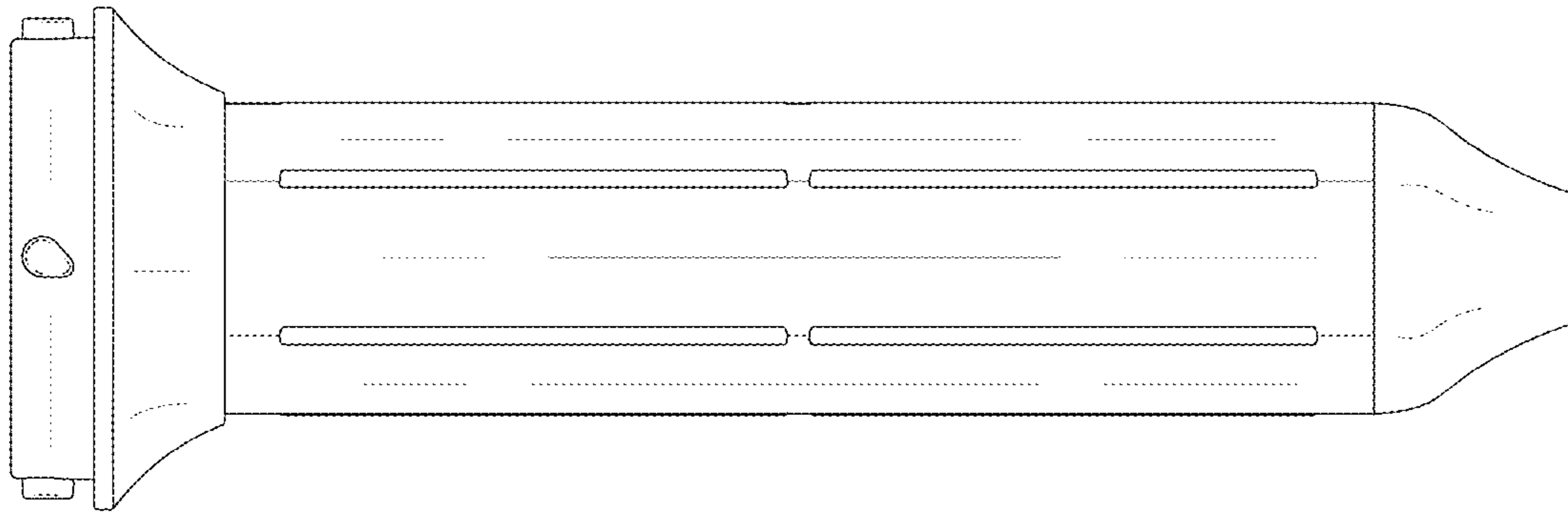
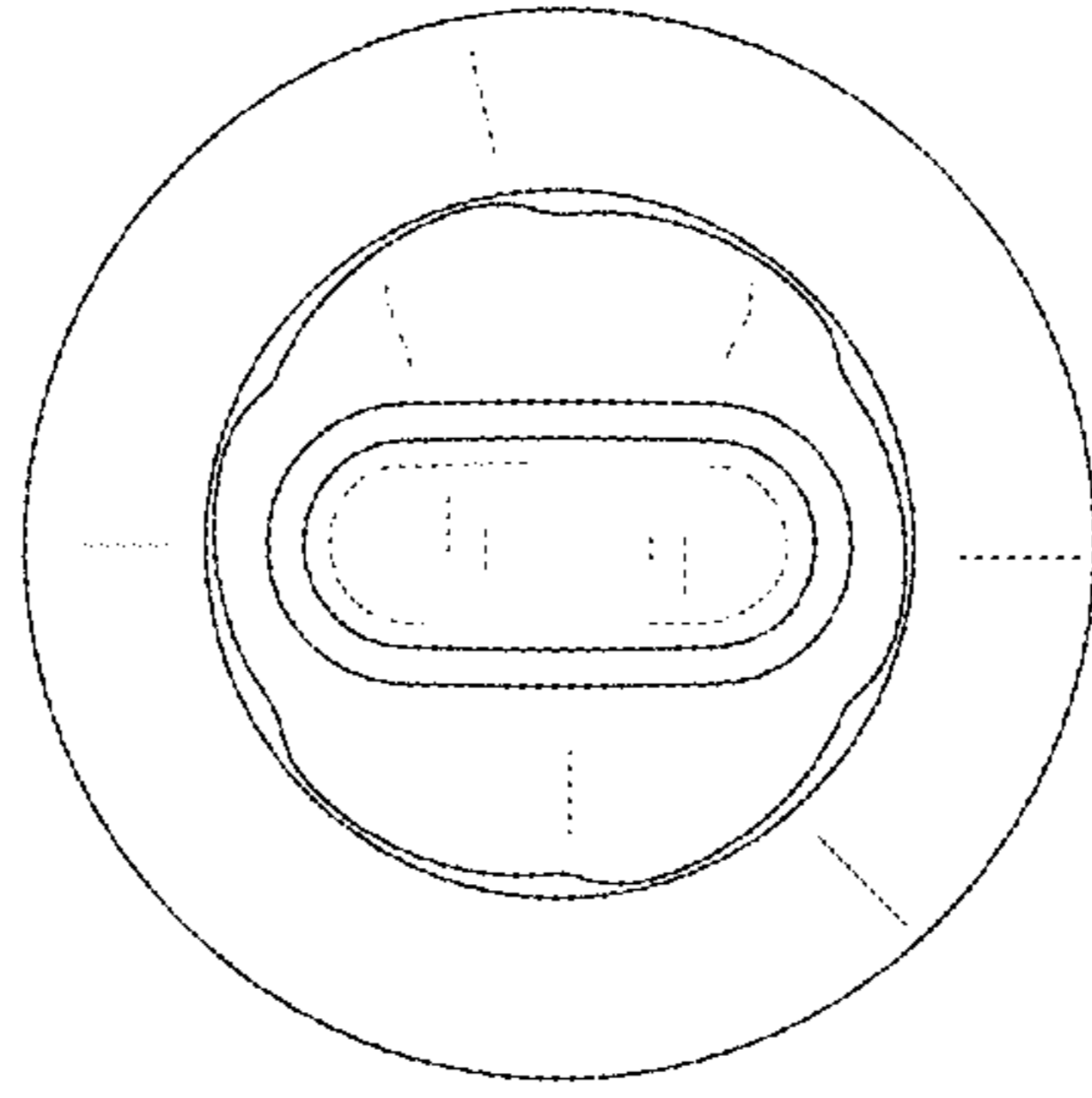
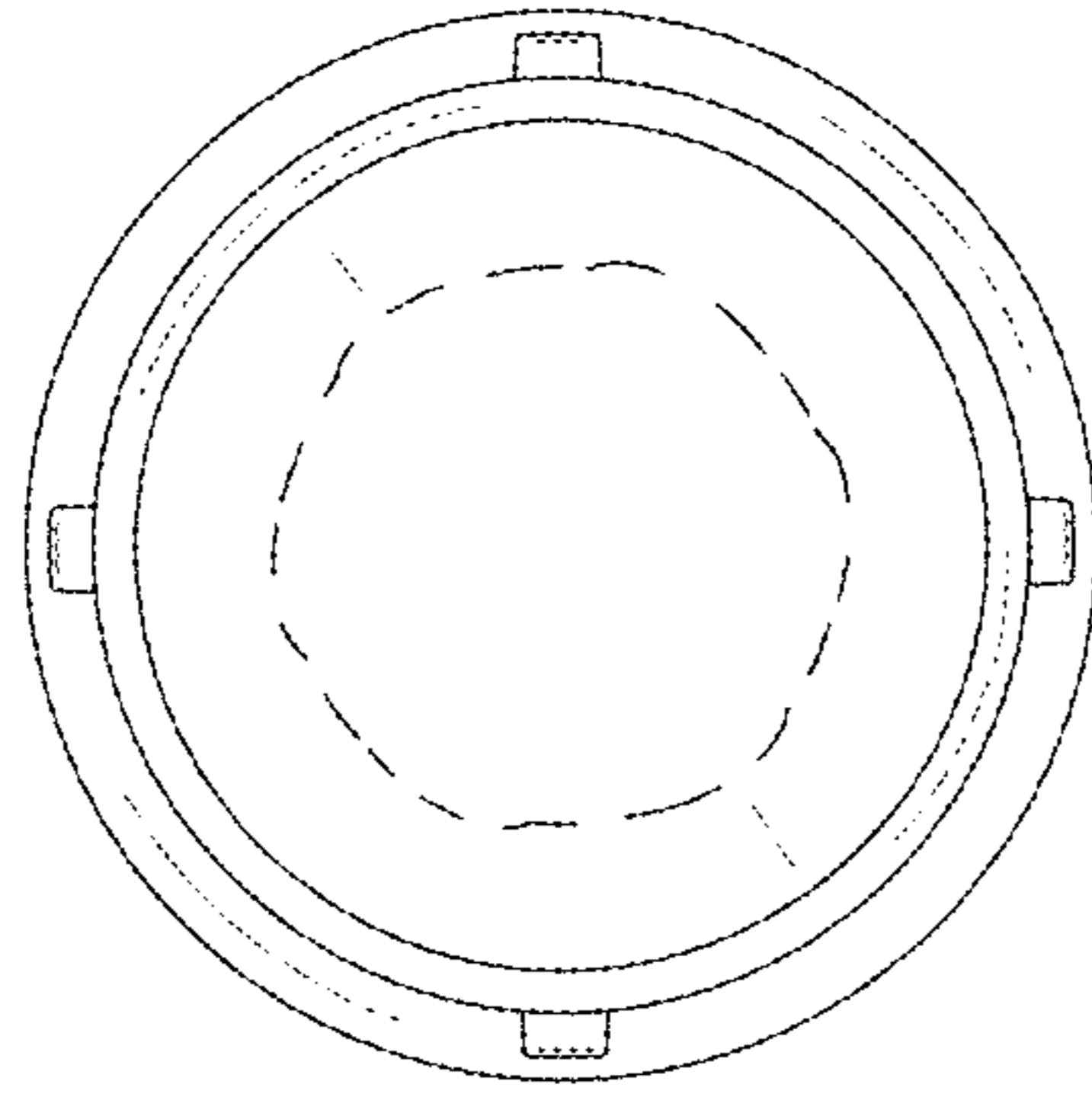


FIG. 3



**FIG. 4**



**FIG. 5**

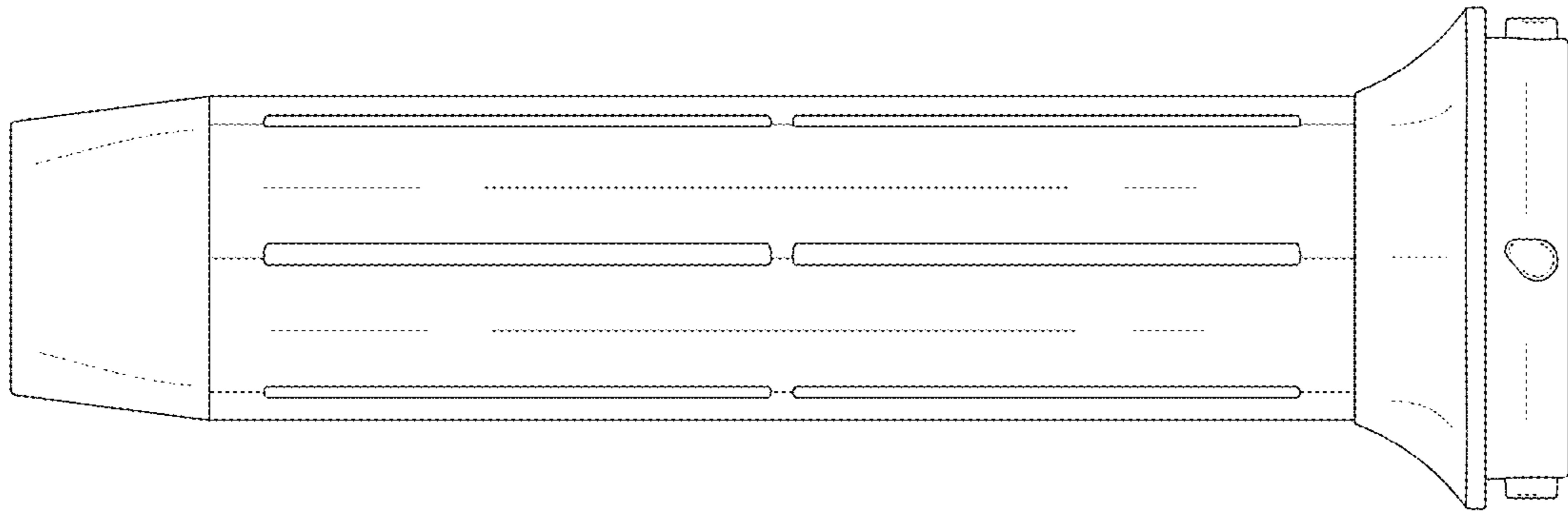


FIG. 6

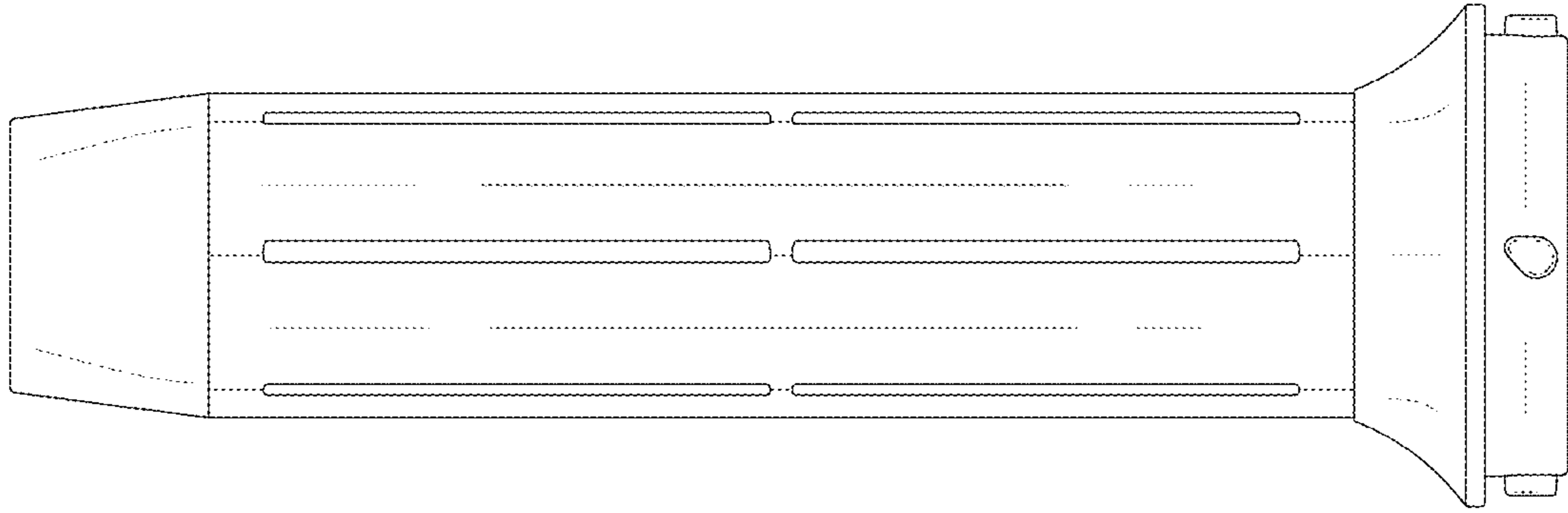


FIG. 7