



US0D1023360S

(12) **United States Design Patent** (10) **Patent No.:** **US D1,023,360 S**
Ma (45) **Date of Patent:** **** Apr. 16, 2024**

(54) **LIGHT STAND COMPONENT**

FOREIGN PATENT DOCUMENTS

(71) Applicant: **Zhun-An Ma**, Ningbo (CN)

CN 201025354 2/2008
CN 202262527 6/2012

(72) Inventor: **Zhun-An Ma**, Ningbo (CN)

(Continued)

(**) Term: **15 Years**

OTHER PUBLICATIONS

(21) Appl. No.: **29/750,963**

Amazon, "EcoGecko Patio 28 LED Umbrella Pole Lights", first available Nov. 15, 2016. (<https://www.amazon.com/EcoGecko-Umbrella-Adjustable-Brightness-Anywhere/dp/B01MYMTXJ6/>)(Year: 2016).*

(22) Filed: **Sep. 17, 2020**

(Continued)

Related U.S. Application Data

(62) Division of application No. 29/711,649, filed on Nov. 1, 2019, now Pat. No. Des. 897,019, which is a division of application No. 29/637,596, filed on Feb. 20, 2018, now Pat. No. Des. 869,718.

Primary Examiner — Leanne Was-Englehart

Assistant Examiner — Justin A Johnson

(74) *Attorney, Agent, or Firm* — Knobbe, Martens, Olson & Bear, LLC

(51) **LOC (14) Cl.** **26-04**

(57) **CLAIM**

(52) **U.S. Cl.**

The ornamental design for a light stand component, as shown and described.

USPC **D26/26**

(58) **Field of Classification Search**

DESCRIPTION

USPC D26/1, 24, 26, 60, 93, 104, 105, 106, D26/107, 108, 110, 113, 145

FIG. 1 is a top perspective view of a light stand component. FIG. 2 is a bottom perspective view of the light stand component of FIG. 1.

CPC F21L 2/00; F21L 4/00; F21L 4/02; F21L 4/025; F21L 4/027; F21L 14/00; F21S 2/00; F21S 8/03; F21S 8/033; F21S 8/035; F21S 6/002; F21S 6/004; F21S 8/036; F21S 8/037; F21S 9/00; F21S 9/02; F21V 21/10; F21V 21/108; F21W 2121/008

FIG. 3 is a front view of the light stand component of FIG. 1;

FIG. 4 is a back view of the light stand component of FIG. 1;

FIG. 5 is a left view of the light stand component of FIG. 1; FIG. 6 is a right view of the light stand component of FIG. 1;

See application file for complete search history.

FIG. 7 is a top view of the light stand component of FIG. 1; and,

FIG. 8 is a bottom view of the light stand component of FIG. 1.

(56) **References Cited**

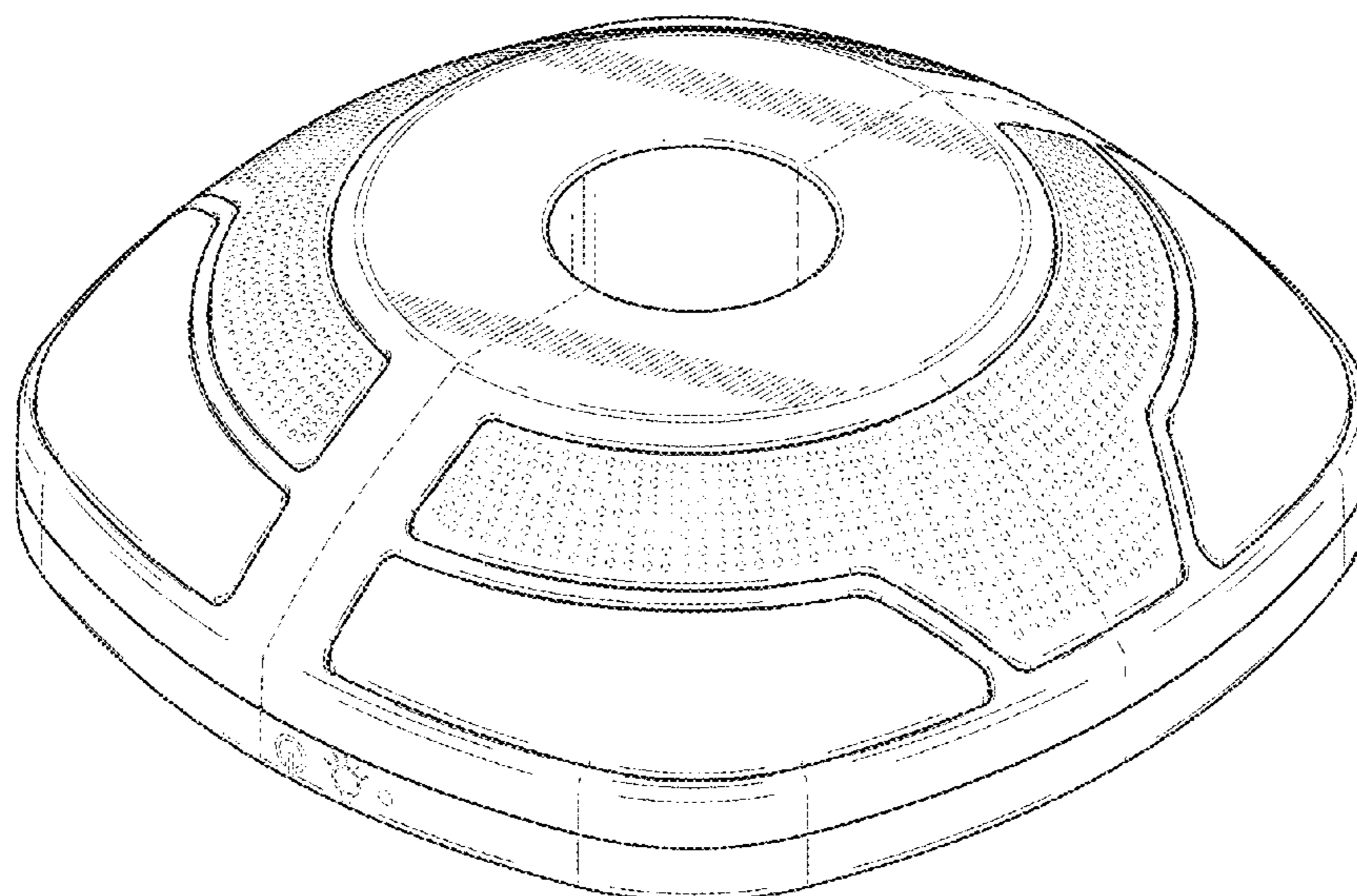
The broken lines depict portions of the light stand component that form no part of the claimed design.

U.S. PATENT DOCUMENTS

2,047,045 A 7/1936 Veenboer
2,087,537 A 7/1937 Milton
2,176,667 A 10/1939 Crowley
2,547,896 A 4/1951 Cafardi

(Continued)

1 Claim, 6 Drawing Sheets



(56)

References Cited

U.S. PATENT DOCUMENTS

2,960,094 A	11/1960	Cohen	6,126,293 A	10/2000	Wu
3,449,002 A	6/1969	Bernard	6,134,103 A	10/2000	Ghanma
3,683,172 A	8/1972	Noyes	6,135,605 A	10/2000	Hsu
3,752,407 A	8/1973	Baugh	6,138,970 A	10/2000	Sohrt
3,801,809 A	4/1974	Slade	6,158,451 A	12/2000	Wu
4,020,858 A	5/1977	Wilson	6,158,701 A	12/2000	Deshler
4,174,532 A	11/1979	Kelley	6,196,242 B1	3/2001	Xu
4,225,909 A	9/1980	Whiteway	6,270,230 B1	8/2001	Mai
4,425,602 A	1/1984	Lansing	6,283,610 B1	9/2001	Alajajian
D283,647 S	4/1986	Schumann	6,298,866 B1	10/2001	Molnar, IV
4,601,120 A	7/1986	Levin	D451,220 S *	11/2001	Long D26/37
4,628,791 A	12/1986	Phipps	6,340,233 B1	1/2002	Shieh
4,684,230 A	8/1987	Smith	6,341,873 B1	1/2002	Tai
D296,475 S *	6/1988	Gallagher D26/26	6,347,776 B1	2/2002	Chuang
4,787,019 A	11/1988	van den Broeke	6,382,809 B1	5/2002	Ou-Yang
4,788,995 A	12/1988	Rushing	6,397,869 B1	6/2002	Jennings
4,800,909 A	1/1989	Seidel et al.	6,412,889 B1	7/2002	Hummell et al.
4,867,187 A	9/1989	Divine	6,439,249 B1	8/2002	Pan et al.
4,872,468 A	10/1989	Cole	6,439,732 B1	8/2002	Weisbach et al.
4,881,154 A	11/1989	Tseng	6,519,144 B1	2/2003	Henrie et al.
4,915,670 A	4/1990	Nesbit	D475,801 S	6/2003	Stewart
4,953,839 A	9/1990	Chern	6,598,990 B2	7/2003	Li
4,962,779 A	10/1990	Meng	6,612,713 B1	9/2003	Kuelbs
5,007,811 A	4/1991	Hopkins	6,636,918 B1	10/2003	Aguilar et al.
5,029,239 A	7/1991	Nesbit	6,659,616 B1	12/2003	Bilotti
5,053,931 A	10/1991	Rushing	6,666,224 B2	12/2003	Lee
5,055,984 A	10/1991	Hung et al.	6,682,204 B2	1/2004	Mullally et al.
5,116,258 A	5/1992	Vennik	6,692,135 B2	2/2004	Li
5,126,922 A	6/1992	Jacinto	6,732,752 B2	5/2004	Cohen et al.
5,143,108 A	9/1992	Kenney	6,749,166 B2	6/2004	Valentine et al.
5,150,963 A	9/1992	Hill	6,765,789 B2	7/2004	Yang
5,152,495 A	10/1992	Jacinto	6,796,318 B2	9/2004	Cohen et al.
5,163,752 A	11/1992	Copeland et al.	6,830,058 B2	12/2004	Li
5,172,711 A	12/1992	Mueller	6,837,255 B2	1/2005	Bunch
5,207,238 A	5/1993	Rivera et al.	6,840,657 B2	1/2005	Tung
5,213,122 A	5/1993	Grady	6,851,823 B2	2/2005	Bilotti
5,216,948 A	6/1993	Sheppard et al.	6,923,193 B2	8/2005	Chen
D341,831 S	11/1993	Mozdzanowski	6,923,194 B2	8/2005	Li
5,273,062 A	12/1993	Mozdzanowski	6,959,996 B2	11/2005	Ip
5,275,364 A	1/1994	Burger	6,961,237 B2	11/2005	Dickie
5,280,799 A	1/1994	Alajajian	6,966,667 B2	11/2005	Li
5,291,908 A	3/1994	Grady, II	7,013,903 B2	3/2006	Li
5,321,579 A	6/1994	Brown et al.	7,017,598 B2	3/2006	Nipke
5,323,798 A	6/1994	Yang	7,021,787 B1	4/2006	Kuelbs
D348,529 S *	7/1994	Pardo D26/110	7,034,902 B2	4/2006	Tajima
5,331,524 A	7/1994	Tseng	7,063,433 B2	6/2006	Pape et al.
5,349,975 A	9/1994	Valdner	7,108,388 B2	9/2006	Li
5,351,173 A	9/1994	Byrne	7,111,954 B1	9/2006	Lai
5,422,801 A	6/1995	Sangalli, Jr.	7,125,133 B2	10/2006	Bilotti et al.
5,426,577 A	6/1995	Gordin et al.	7,128,076 B2	10/2006	Freedman
5,449,012 A	9/1995	Friedman	7,134,762 B2	11/2006	Ma
5,463,535 A	10/1995	Vest	7,143,601 B1	12/2006	Jimenez
5,502,624 A	3/1996	Tu	7,188,633 B2	3/2007	Zerillo
5,584,564 A	12/1996	Phyle	D542,454 S	5/2007	Chan
5,611,614 A	3/1997	Morgan	7,300,189 B2	11/2007	England et al.
5,683,064 A	11/1997	Copeland et al.	D558,908 S	1/2008	Waedeled
5,683,070 A	11/1997	Seed	7,331,684 B2	2/2008	Tung
5,707,135 A	1/1998	Miller	D564,687 S	3/2008	Bucher
5,816,685 A	10/1998	Hou	7,401,936 B1	7/2008	Fan
5,831,413 A	11/1998	Gould	7,422,343 B2	9/2008	Li
5,860,728 A	1/1999	Maglica	7,431,469 B2	10/2008	Li
5,902,080 A	5/1999	Kopras	D580,421 S	11/2008	Sculler et al.
D413,992 S	9/1999	Muhammad	7,481,547 B2	1/2009	Li
5,954,417 A	9/1999	Mai	7,497,225 B1	3/2009	Klein, Jr. et al.
5,960,805 A	10/1999	Murphy	7,497,583 B2	3/2009	Ma
5,964,233 A	10/1999	Clark et al.	7,537,015 B1	5/2009	Bender et al.
5,996,511 A	12/1999	Swoger	7,557,297 B2	7/2009	Axland et al.
6,013,985 A	1/2000	Green et al.	7,559,520 B2	7/2009	Quijano et al.
6,017,188 A	1/2000	Benton	7,562,667 B2	7/2009	Li
6,024,464 A	2/2000	De Vera	D599,040 S *	8/2009	Alexander F21V 17/105 D26/1
6,027,309 A	2/2000	Rawls	7,593,220 B2	9/2009	Proctor et al.
6,039,062 A	3/2000	Karakaedos	7,604,015 B2	10/2009	Fraser
6,058,951 A	5/2000	Wilson	7,614,600 B1	11/2009	Smith et al.
6,089,727 A	7/2000	Wu	7,625,241 B2	12/2009	Axland et al.
6,126,291 A	10/2000	Chung-Kuang et al.	7,625,242 B2	12/2009	Axland et al.
			7,626,119 B2	12/2009	Axland et al.
			7,631,653 B2	12/2009	Young
			7,645,169 B2	1/2010	Axland et al.

(56)

References Cited

U.S. PATENT DOCUMENTS

7,648,339 B1 1/2010 Ediger et al.
 7,650,230 B1 1/2010 Laverick et al.
 7,665,477 B1 2/2010 Hathaway
 7,695,153 B2 4/2010 Tsai
 7,753,546 B2 7/2010 Kuelbs
 7,755,975 B2 7/2010 Pettersen et al.
 7,778,624 B2 8/2010 Li
 7,828,002 B2 11/2010 Boldsen
 7,836,905 B2 11/2010 Tarter et al.
 7,856,996 B2 12/2010 Ma
 7,975,711 B2 7/2011 Li
 8,015,988 B2 9/2011 Li
 8,061,374 B2 11/2011 Li
 8,069,868 B2 12/2011 Kuelbs
 8,082,937 B2 12/2011 Tarter et al.
 8,104,491 B2 1/2012 Li
 8,116,497 B2 2/2012 Li
 8,267,104 B2 9/2012 Li
 8,331,598 B2 12/2012 Li
 8,345,889 B2 1/2013 Li
 8,360,079 B2 1/2013 Li
 8,393,341 B2 3/2013 Li
 D680,673 S 4/2013 Levine
 8,444,104 B2 5/2013 Li
 8,453,659 B2 6/2013 Li
 8,459,282 B2 6/2013 Gorey et al.
 D726,357 S * 4/2015 Walczak F21L 4/04
 D26/40
 9,030,829 B2 5/2015 Ma
 9,125,462 B2 9/2015 Akin et al.
 D744,964 S * 12/2015 Sachsenweger A45B 25/00
 D26/1
 9,468,273 B1 10/2016 Hasselbach et al.
 9,826,653 B2 11/2017 Ma
 10,398,049 B2 8/2019 Ma
 D864,431 S * 10/2019 Thompson F21V 33/006
 D26/26
 D866,037 S * 11/2019 Hu D26/67
 D869,718 S 12/2019 Ma
 D897,007 S * 9/2020 Hu D26/4
 D897,019 S 9/2020 Ma
 11,181,256 B2 * 11/2021 Ma F21V 33/006
 2001/0001083 A1 5/2001 Helot
 2002/0074027 A1 6/2002 Maidment
 2003/0002688 A1 1/2003 Kanevsky et al.
 2003/0067765 A1 4/2003 Ying
 2003/0102021 A1 6/2003 Cohen
 2003/0168091 A1 9/2003 Cohen
 2003/0192579 A1 10/2003 Llamas Garijo
 2004/0007259 A1 1/2004 Manolis
 2004/0031513 A1 2/2004 Bunch
 2004/0055627 A1 3/2004 Moga
 2004/0095749 A1 5/2004 Bilotti
 2004/0100791 A1 5/2004 Bilotti
 2004/0149325 A1 8/2004 Juelbs
 2004/0221883 A1 11/2004 Nipke
 2004/0228118 A1 11/2004 Peterson
 2004/0240167 A1 12/2004 Ledbetter
 2004/0256852 A1 12/2004 Benedict
 2005/0016571 A1 1/2005 Wu
 2005/0069153 A1 3/2005 Hall
 2005/0072451 A1 4/2005 Vivian
 2005/0105898 A1 5/2005 Bachinski
 2005/0128740 A1 6/2005 Currie et al.
 2005/0133077 A1 6/2005 Zerillo
 2005/0161067 A1 7/2005 Hollins
 2005/0254228 A1 11/2005 Li
 2006/0005867 A1 1/2006 Chang
 2006/0005869 A1 1/2006 Kuelbs
 2006/0044152 A1 3/2006 Wang
 2006/0124122 A1 6/2006 Young
 2006/0124157 A1 6/2006 Bayour
 2006/0127034 A1 6/2006 Brooking
 2006/0196532 A1 9/2006 Tung
 2006/0266398 A1 11/2006 Wu

2007/0047185 A1 3/2007 Lee et al.
 2007/0056617 A1 3/2007 Li
 2007/0058360 A1 3/2007 Li
 2007/0070588 A1 3/2007 Lin
 2007/0074751 A1 4/2007 Fraser
 2007/0127231 A1 6/2007 Li
 2007/0133191 A1 6/2007 Ma
 2007/0133219 A1 6/2007 Chaloult et al.
 2007/0151588 A1 7/2007 Jiu et al.
 2007/0242450 A1 10/2007 Blatecky
 2007/0254695 A1 11/2007 Langberg et al.
 2007/0279856 A1 12/2007 Bragg
 2008/0053496 A1 3/2008 Li
 2008/0056898 A1 3/2008 Li
 2008/0062675 A1 3/2008 Tung
 2008/0072945 A1 3/2008 Grand Pre et al.
 2008/0076379 A1 3/2008 Li
 2008/0092440 A1 4/2008 Johnson
 2008/0092936 A1 4/2008 Carabillo
 2008/0095382 A1 4/2008 Mott
 2008/0118089 A1 5/2008 Li
 2008/0163908 A1 7/2008 O'Kere
 2008/0238270 A1 10/2008 Wayman et al.
 2008/0262657 A1 10/2008 Howell et al.
 2008/0271768 A1 11/2008 Li
 2008/0292120 A1 11/2008 Wilson
 2009/0014041 A1 1/2009 Li
 2009/0056775 A1 3/2009 Kuelbs
 2009/0058354 A1 3/2009 Harrison
 2009/0071516 A1 3/2009 Li
 2009/0090404 A1 4/2009 Kuelbs
 2009/0120475 A1 5/2009 Li
 2009/0120476 A1 5/2009 Li
 2009/0193578 A1 8/2009 Jang et al.
 2009/0196020 A1 8/2009 Tsai
 2009/0250982 A1 10/2009 Cohen
 2009/0284216 A1 11/2009 Bessa et al.
 2009/0314319 A1 12/2009 Young
 2009/0320827 A1 12/2009 Thompson et al.
 2010/0024855 A1 2/2010 Li
 2010/0024856 A1 2/2010 Li
 2010/0097441 A1 4/2010 Trachtenberg
 2010/0154786 A1 6/2010 Li
 2010/0192999 A1 8/2010 Li
 2010/0245032 A1 9/2010 Li
 2010/0307547 A1 12/2010 Li
 2010/0319737 A1 12/2010 Li
 2010/0320819 A1 12/2010 Cohen
 2010/0326849 A1 12/2010 Trimarche
 2011/0005560 A1 1/2011 Nair
 2011/0023931 A1 2/2011 Chen
 2011/0066302 A1 3/2011 McEwan
 2011/0122605 A1 5/2011 Deighton et al.
 2011/0157801 A1 6/2011 Satterfield
 2011/0227695 A1 9/2011 Li
 2011/0265694 A1 11/2011 Hampton et al.
 2012/0017958 A1 1/2012 Brockel et al.
 2012/0021269 A1 1/2012 Tartar et al.
 2012/0073616 A1 3/2012 Kuelbs
 2012/0140455 A1 6/2012 Chang
 2018/0058671 A1 * 3/2018 Cramer F21V 17/105
 2018/0092203 A1 3/2018 Ma
 2018/0249054 A1 8/2018 Chien
 2019/0257504 A1 8/2019 Ma
 2020/0208429 A1 * 7/2020 Ma A45B 25/00
 2022/0154917 A1 * 5/2022 Ma F21L 4/04

FOREIGN PATENT DOCUMENTS

CN 302073268 * 9/2012
 DE 9319387 U1 2/1994
 EP 2 721 944 4/2014
 FR 2628950 9/1989
 GB 2396205 A 6/2004
 JP H08-158702 6/1996
 JP 2002-204710 7/2002
 NL 9301852 5/1995
 WO WO 1990/000840 1/1990
 WO WO 1990/06069 A 6/1990

(56)

References Cited

FOREIGN PATENT DOCUMENTS

WO	WO 1993/005688	A1	4/1993
WO	WO 1998/049915	A1	11/1998
WO	WO 2000/013541	A1	3/2000
WO	WO 2002/069751	A1	9/2002
WO	WO 2003/092428	A1	11/2003
WO	WO 2004/088076	A1	10/2004
WO	WO 2005/072209	A2	8/2005
WO	WO 2009/100611		8/2009

OTHER PUBLICATIONS

Amazon, "Oyoco Warm White Patio Umbrella Light", first available Jul. 31, 2018. (<https://www.amazon.com/dp/B07D8VXTDV/?th=1>) (Year: 2018).*

L. L. Bean, "Market Umbrella Light", first available Oct. 17, 2021. (<https://www.llbean.com/llb/shop/125566?page=market-umbrella-light&bc=31-132-515463-507714&feat=507714-GN3&csp=f&pos=8>) (Year: 2021).*

Amazon, "Newest Patio Umbrella Lights", first available Sep. 2, 2021. (<https://www.amazon.com/dp/B09F9HFDF5>) (Year: 2021).*

Extended European Search Report issued in European Patent Application No. 13189717.5, dated Feb. 27, 2014, in 5 pages.

Treasure Garden 2013 Product Catalog, copyright 2012, Treasure Garden, Inc., "Serenata Umbrella Lights", pp. 86-87.

* cited by examiner

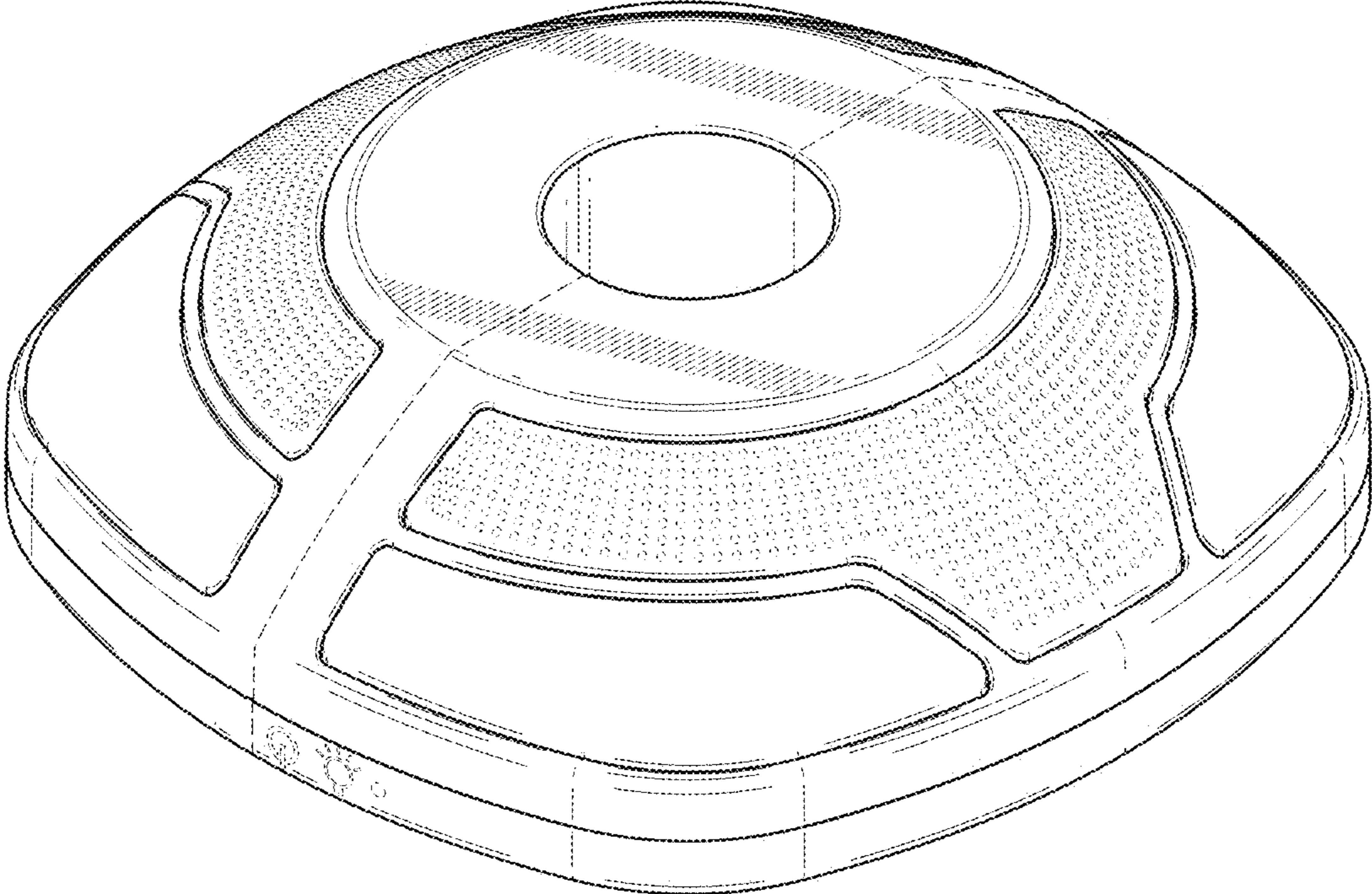


FIG. 1

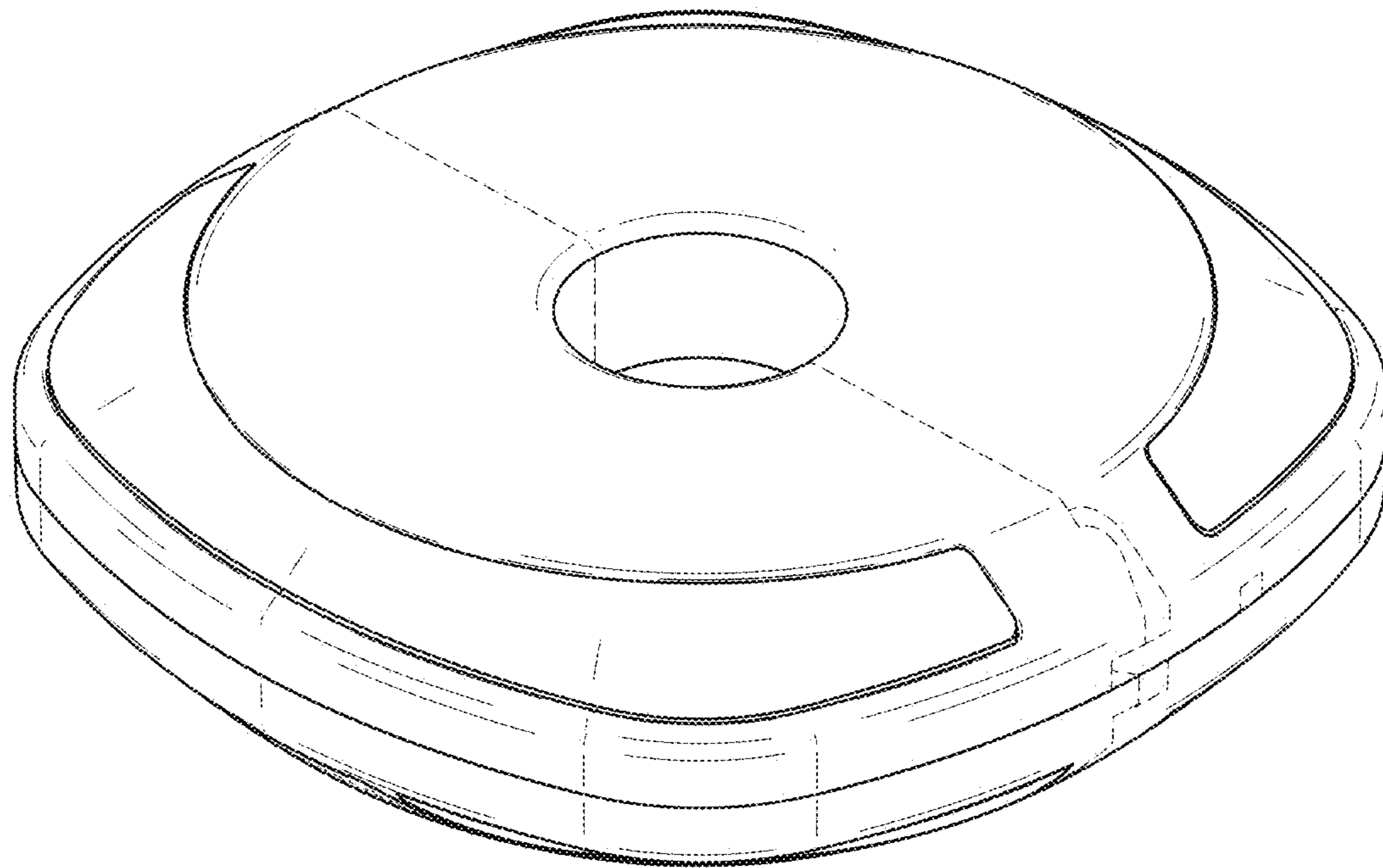


FIG. 2

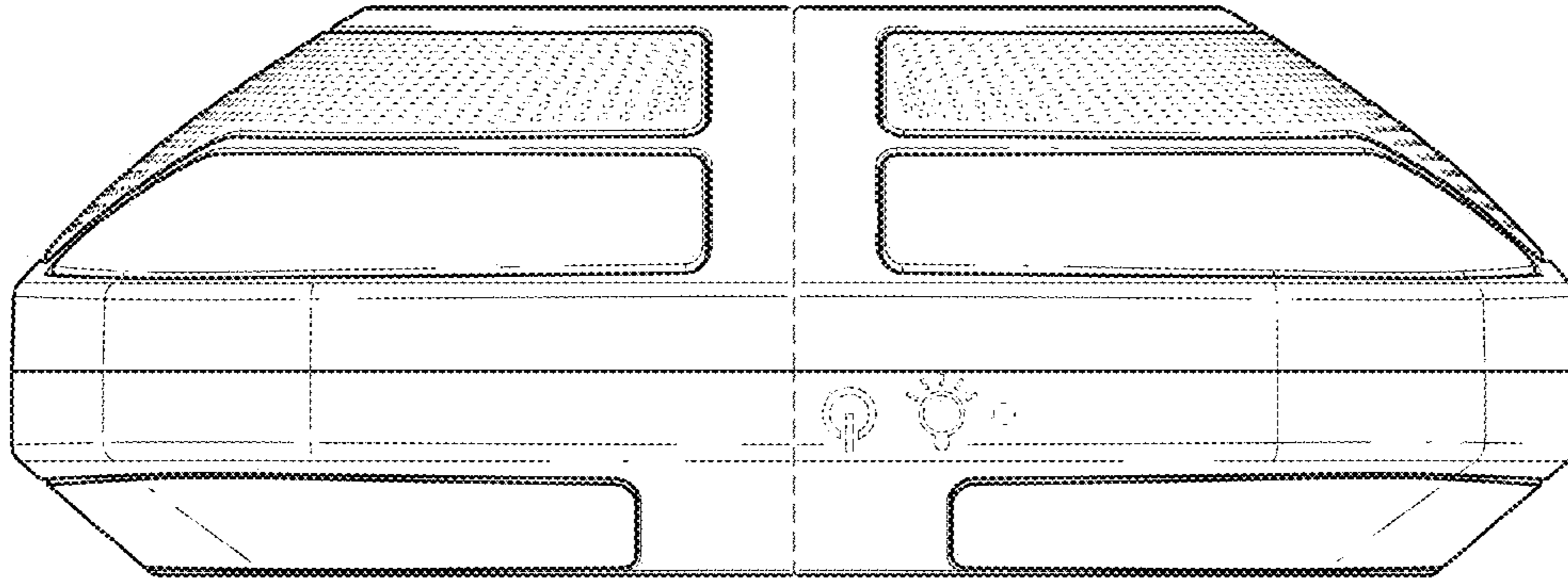


FIG. 3

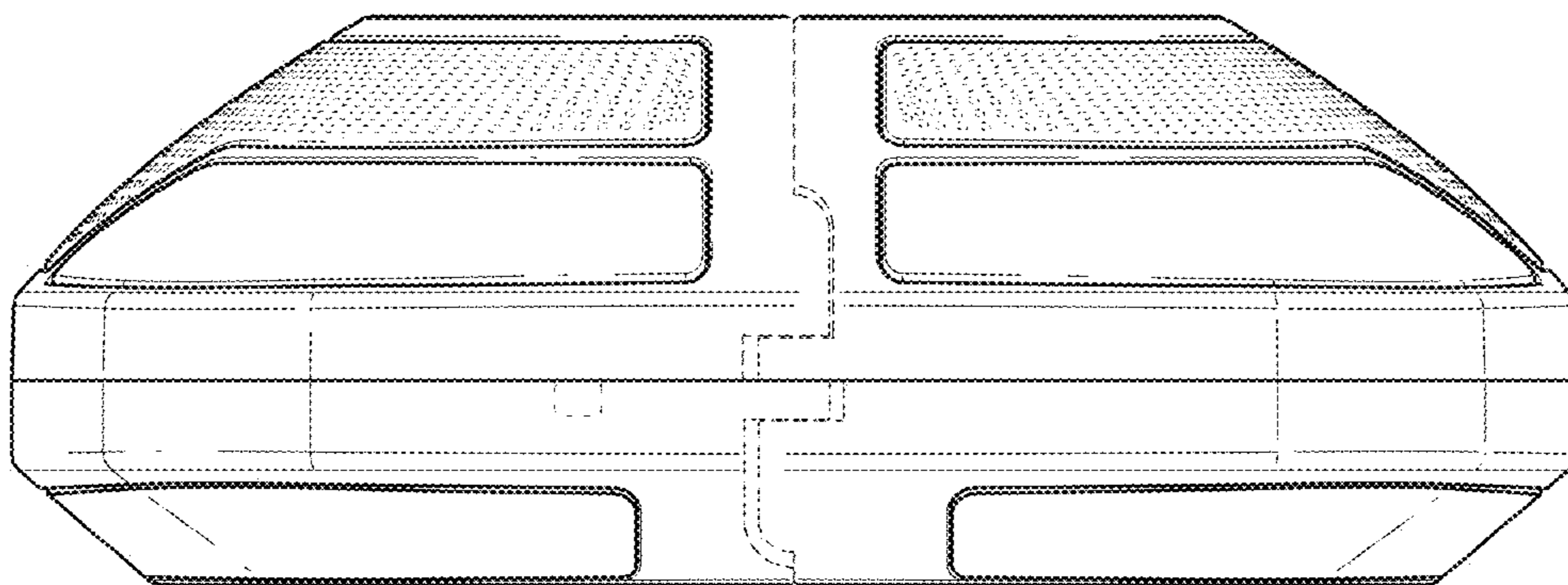


FIG. 4

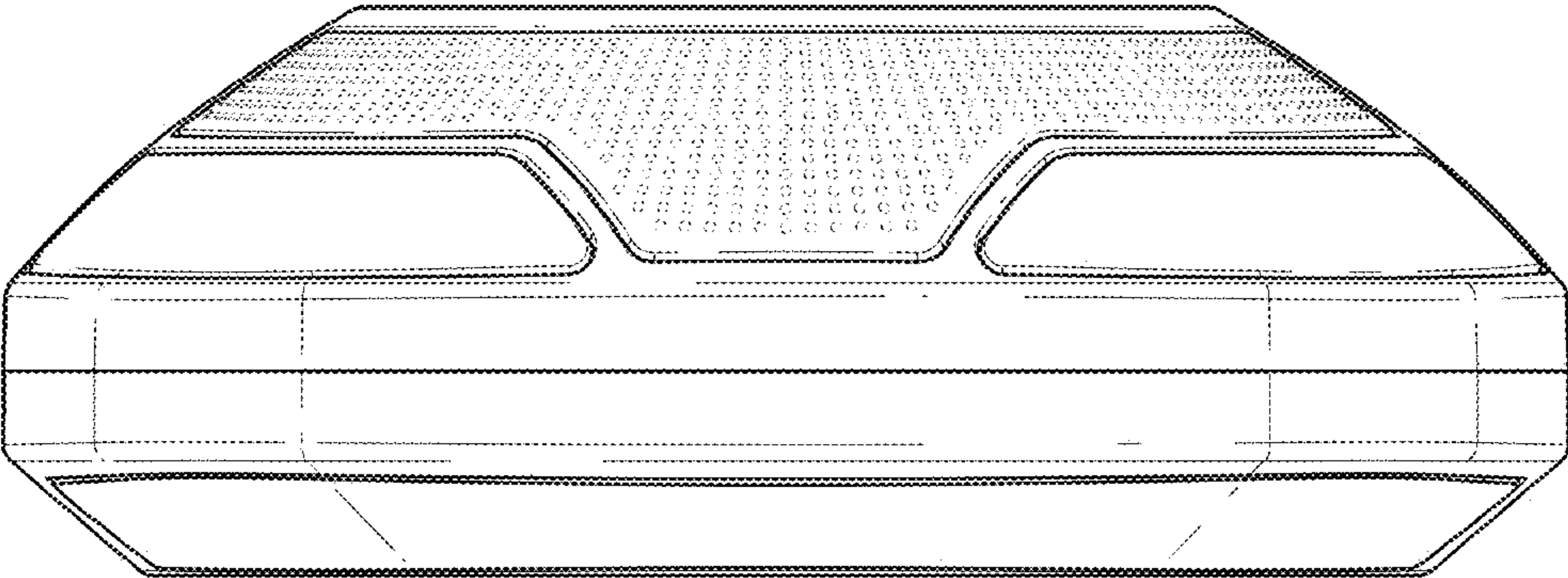


FIG. 5

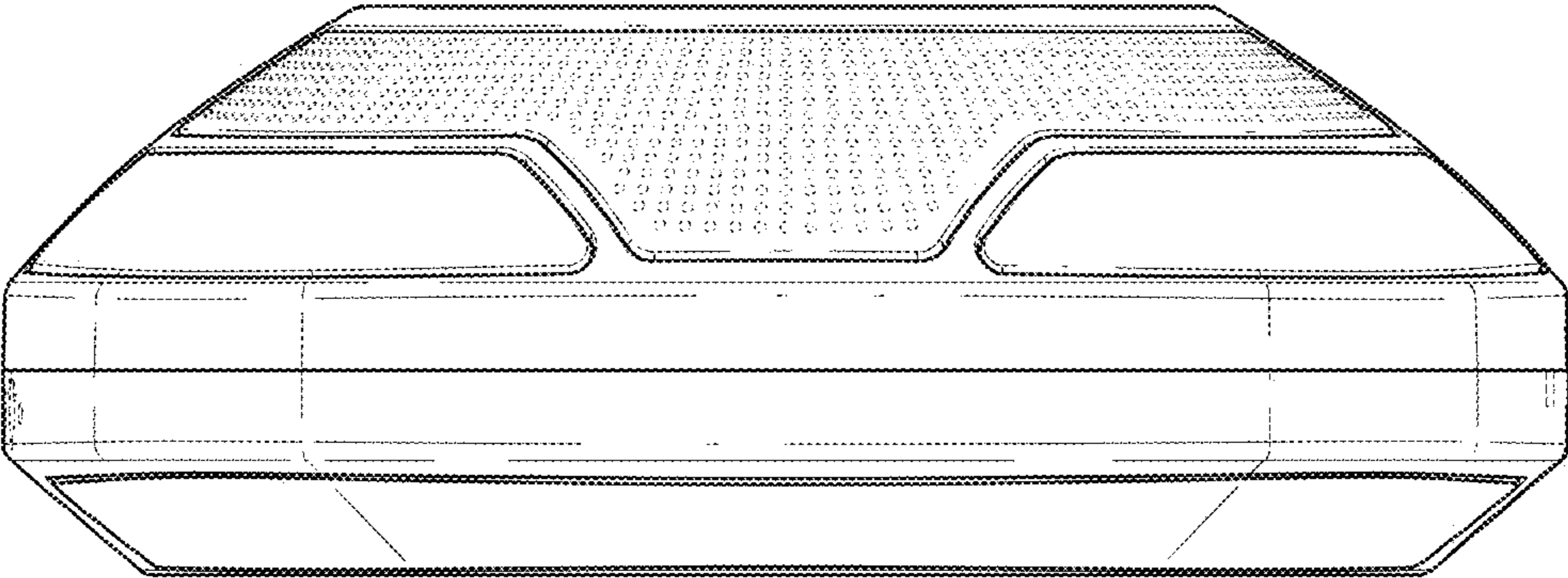


FIG. 6

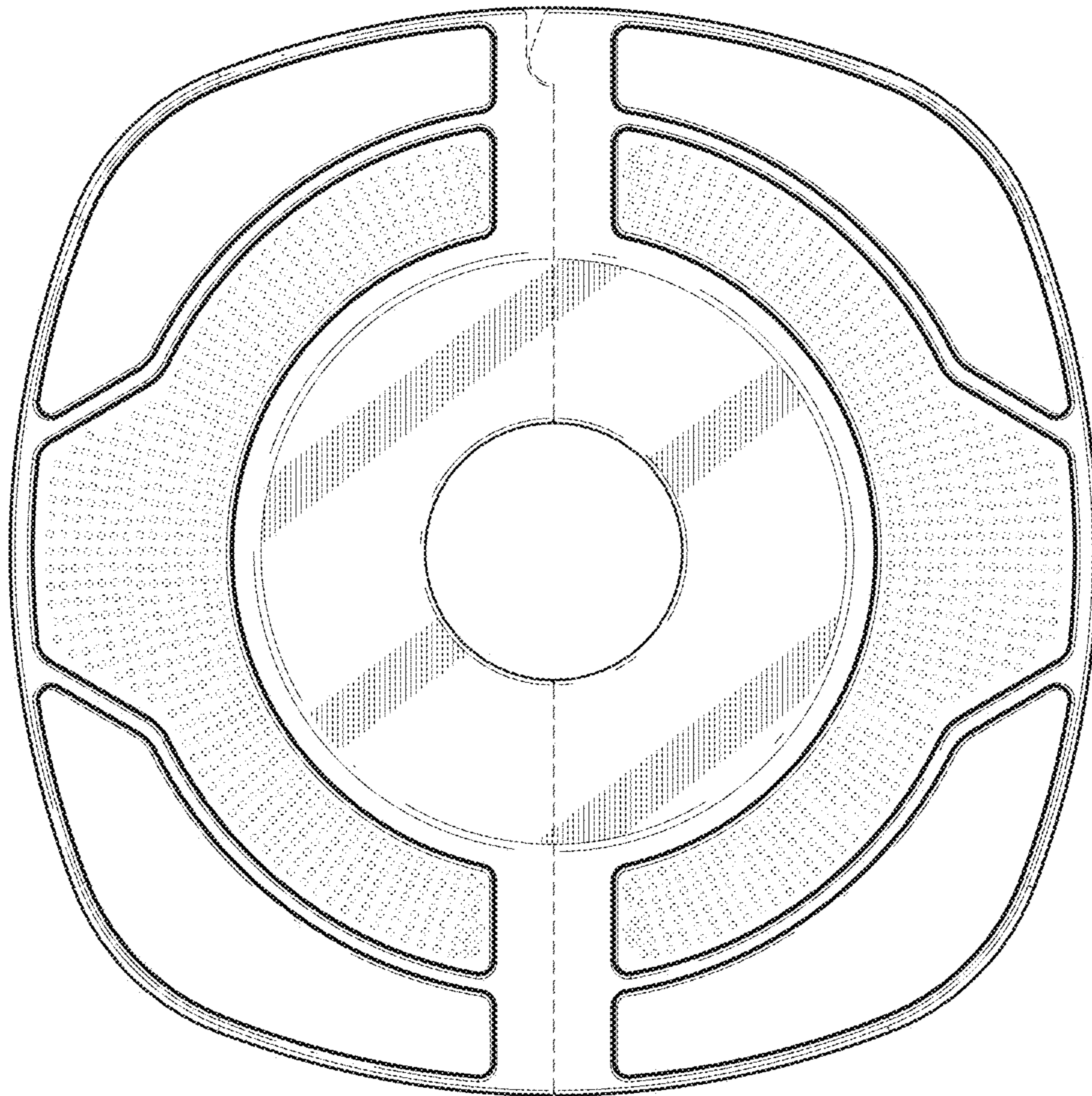


FIG. 7

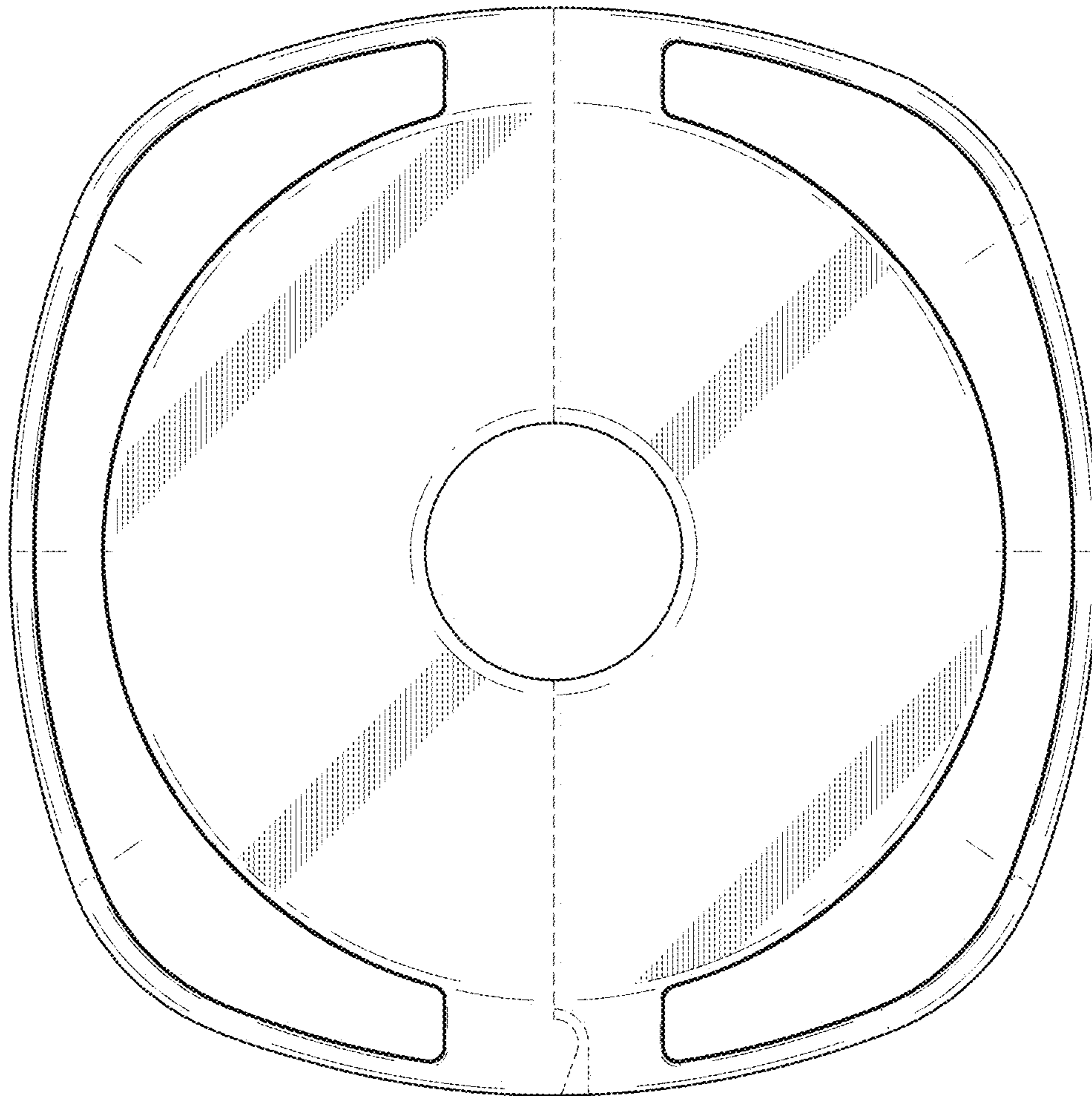


FIG. 8