

US0D1023327S

(12) **United States Design Patent** (10) **Patent No.:** **US D1,023,327 S**  
**Levi** (45) **Date of Patent:** **\*\* Apr. 16, 2024**

(54) **EYE MASSAGE INSTRUMENT**

(71) Applicant: **Guy Levi**, Dania, FL (US)

(72) Inventor: **Guy Levi**, Dania, FL (US)

(\*\*) Term: **15 Years**

(21) Appl. No.: **29/848,096**

(22) Filed: **Jul. 29, 2022**

(51) **LOC (14) Cl.** ..... **24-01**

(52) **U.S. Cl.**

USPC ..... **D24/200**

(58) **Field of Classification Search**

USPC ..... D24/200, 206–208, 188, 130, 133,  
D24/185–186, 211–215, 190–191;  
D28/62, 58–59, 13; D8/14.1; D30/160;  
D2/627

CPC ..... A61H 7/00; A61H 1/00; A61H 2205/00;  
A61H 2201/1253; A61H 2205/0811;  
A61H 2205/086; A61H 15/0085; A61H  
15/02; A61H 1/008; A61H 2201/1635;  
A61H 1/006; A61H 15/00; A61H  
15/0092; A61H 7/001; A61H 7/007;  
A61H 2015/0028; A61H 9/0078; A61H  
9/0092; A61B 10/04; A61N 5/0616;  
A61N 2005/0644; A61N 2005/0643;  
A61N 1/328; A61F 2007/0001; A61F  
2007/0023; A61F 7/02; A61F 7/10; A61F  
7/032; A61F 7/103; A61F 5/0111; A61F  
5/0113; A61F 5/0127; A61F 5/0585;  
A61F 5/0195

See application file for complete search history.

(56) **References Cited**

**U.S. PATENT DOCUMENTS**

D85,076 S \* 9/1931 Barker ..... D24/214  
D117,337 S \* 10/1939 Schwarz ..... D24/214  
2,491,274 A \* 12/1949 McNeill ..... A61B 17/244  
15/244.1

D361,404 S \* 8/1995 Haas ..... D28/7  
D461,246 S \* 8/2002 Park ..... D28/59  
D705,928 S \* 5/2014 Whiteley ..... D24/130  
D780,933 S \* 3/2017 Uchida ..... D24/200  
D861,184 S \* 9/2019 Stern Hasemann ..... D24/214  
D901,704 S \* 11/2020 Huang ..... D24/214  
D956,986 S \* 7/2022 Cai ..... D24/200

(Continued)

**OTHER PUBLICATIONS**

4 in 1 Facial Wand Device, first available Sep. 19, 2023, amazon.com, [online], [site visited Nov. 14, 2023], Available from internet URL: <https://www.amazon.com/dp/B0CJB94F7M/> (Year: 2023).\*

(Continued)

*Primary Examiner* — Samantha Q Lawrence

*Assistant Examiner* — Holly M Rodriguez

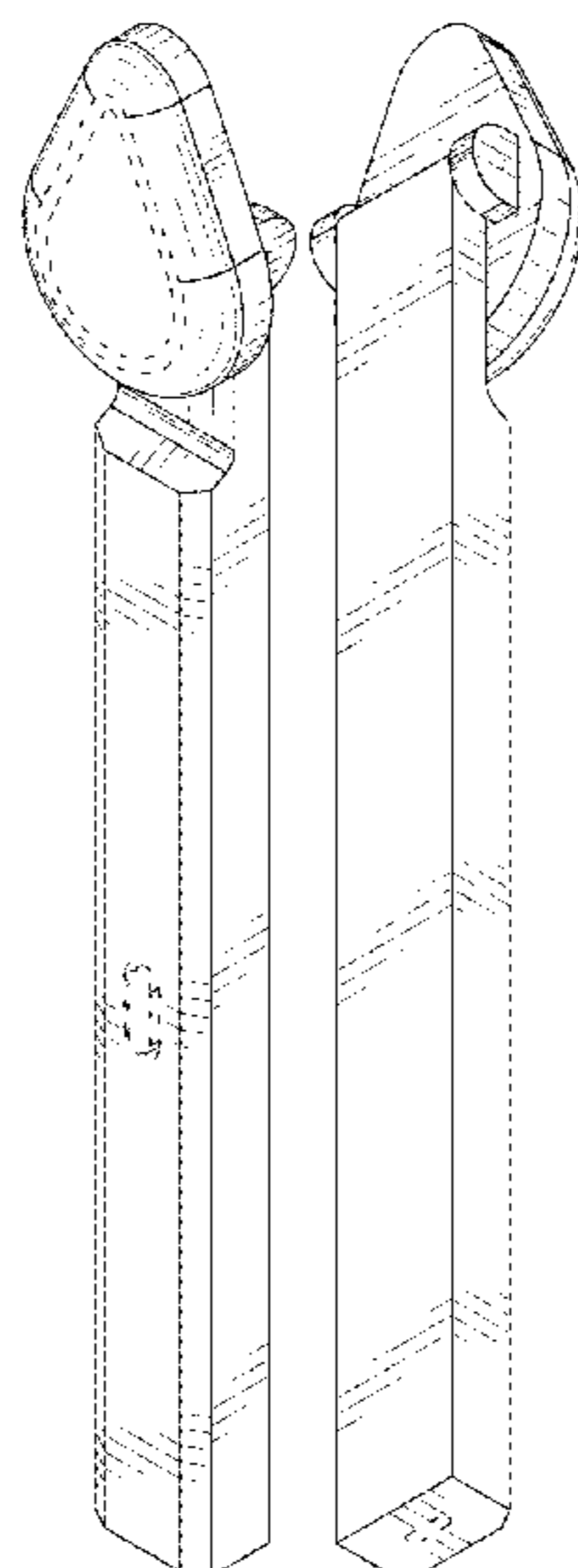
(57) **CLAIM**

The ornamental design for an eye massage instrument, as shown and described.

**DESCRIPTION**

FIG. 1 is a top-front-left perspective view of an eye massage instrument showing my new design;  
FIG. 2 is a bottom-rear-right perspective view thereof;  
FIG. 3 is a front elevational view thereof;  
FIG. 4 is a rear elevational view thereof  
FIG. 5 is an enlarged top plan view thereof;  
FIG. 6 is an enlarged bottom plan view thereof;  
FIG. 7 is a right elevational view thereof  
FIG. 8 is a left elevational view thereof;  
FIG. 9 is a top-front-left perspective view thereof, wherein the eye massage instrument is shown in condition of use; and,  
FIG. 10 is a bottom-rear-right perspective view thereof.  
The broken lines shown in FIGS. 1 through 10 illustrate portions of the eye massage instrument that form no part of the claimed design.

**1 Claim, 10 Drawing Sheets**



(56)

**References Cited**

U.S. PATENT DOCUMENTS

D968,633 S \* 11/2022 Karim ..... D24/215

OTHER PUBLICATIONS

Radio Frequency Skin Tightening Face Machine, first available Sep. 11, 2023, amazon.com, [online], [site visited Nov. 13, 2023], Available from internet URL: <https://www.amazon.com/dp/B0C172PB56/> (Year: 2023).\*

Medicube Age-R Booster H—a Facial Treatment Device, first available Feb. 5, 2023, amazon.com, [online], [site visited Nov. 13, 2023], Available from internet URL: <https://www.amazon.com/dp/B0BDCRFB9T/> (Year: 2023).\*

\* cited by examiner

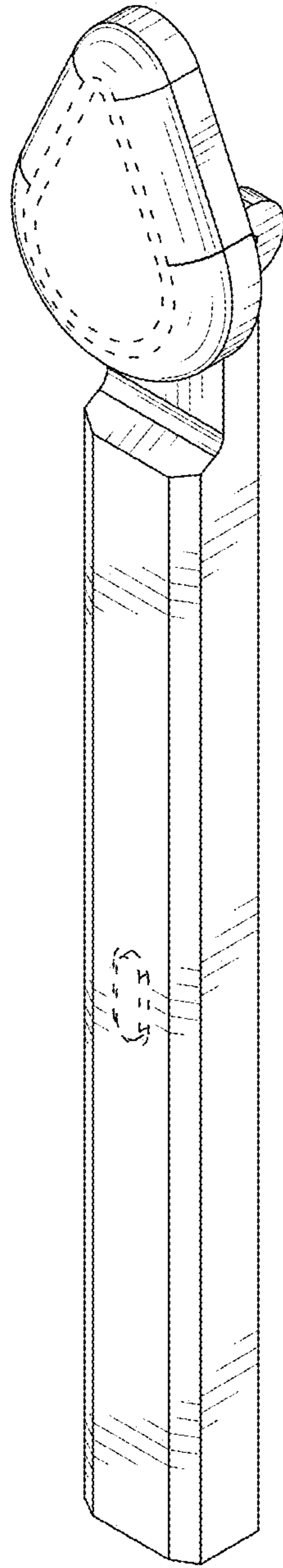


FIG. 1

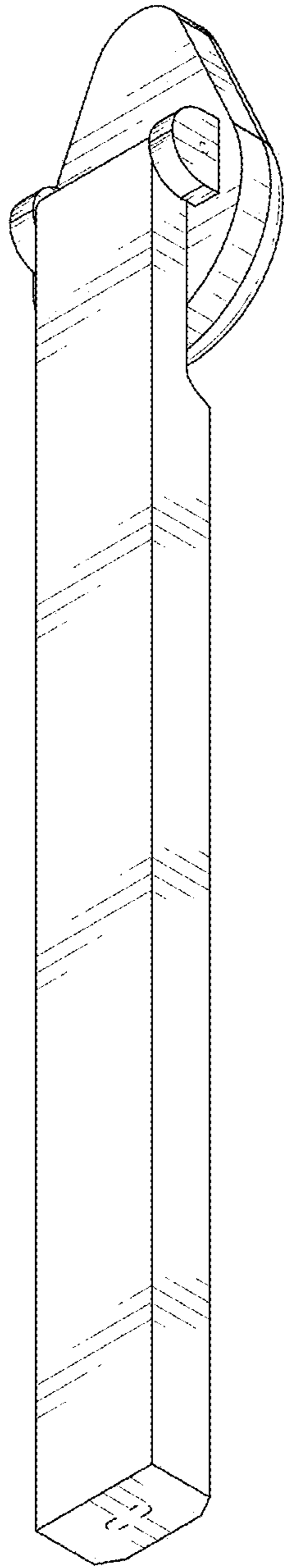


FIG. 2

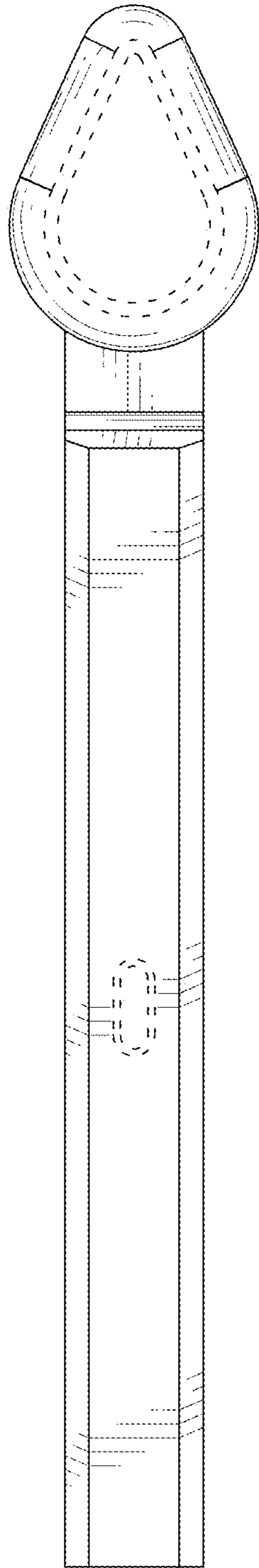


FIG. 3

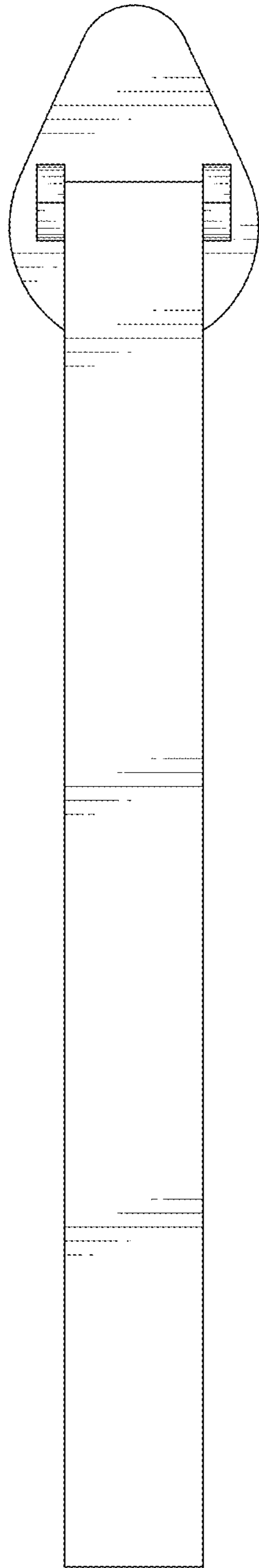


FIG. 4

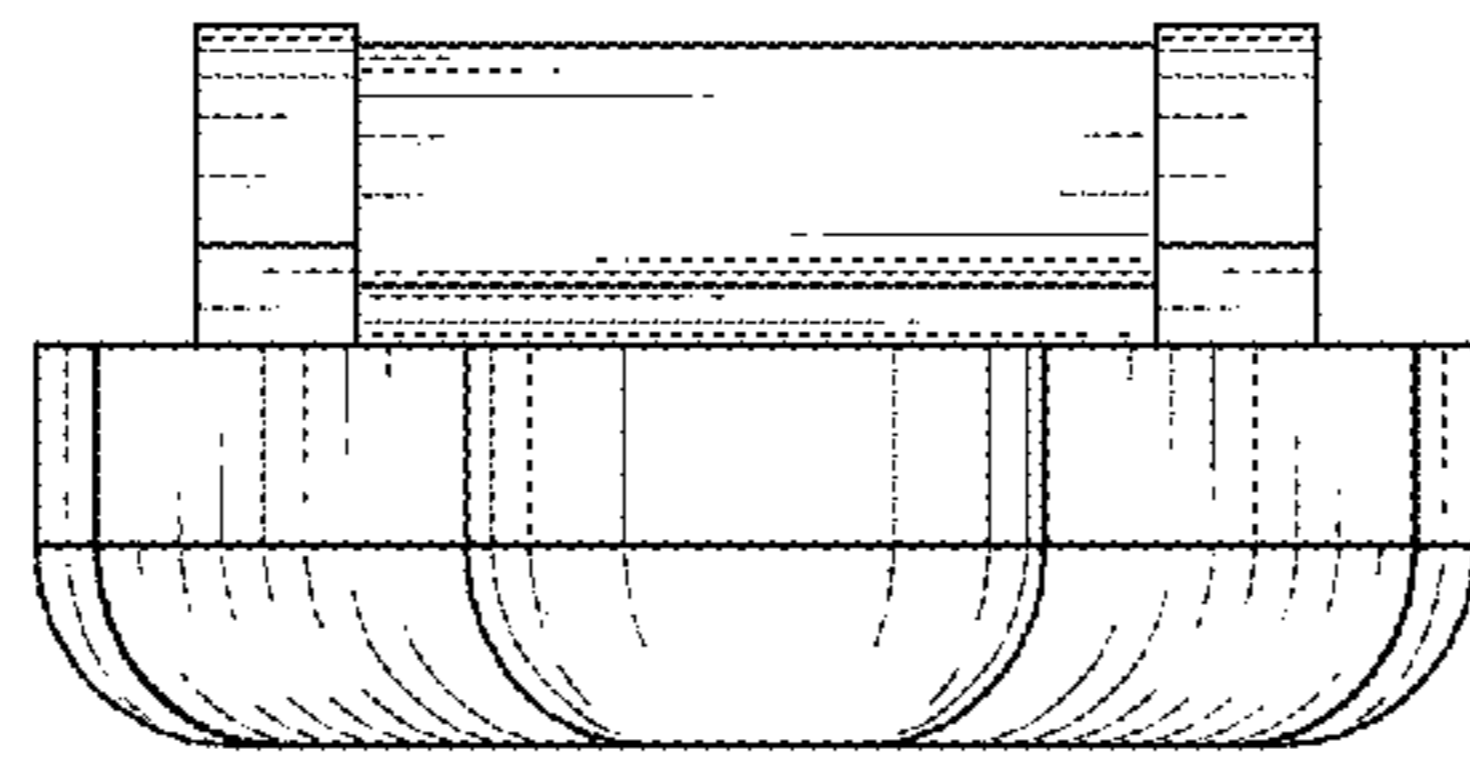


FIG. 5

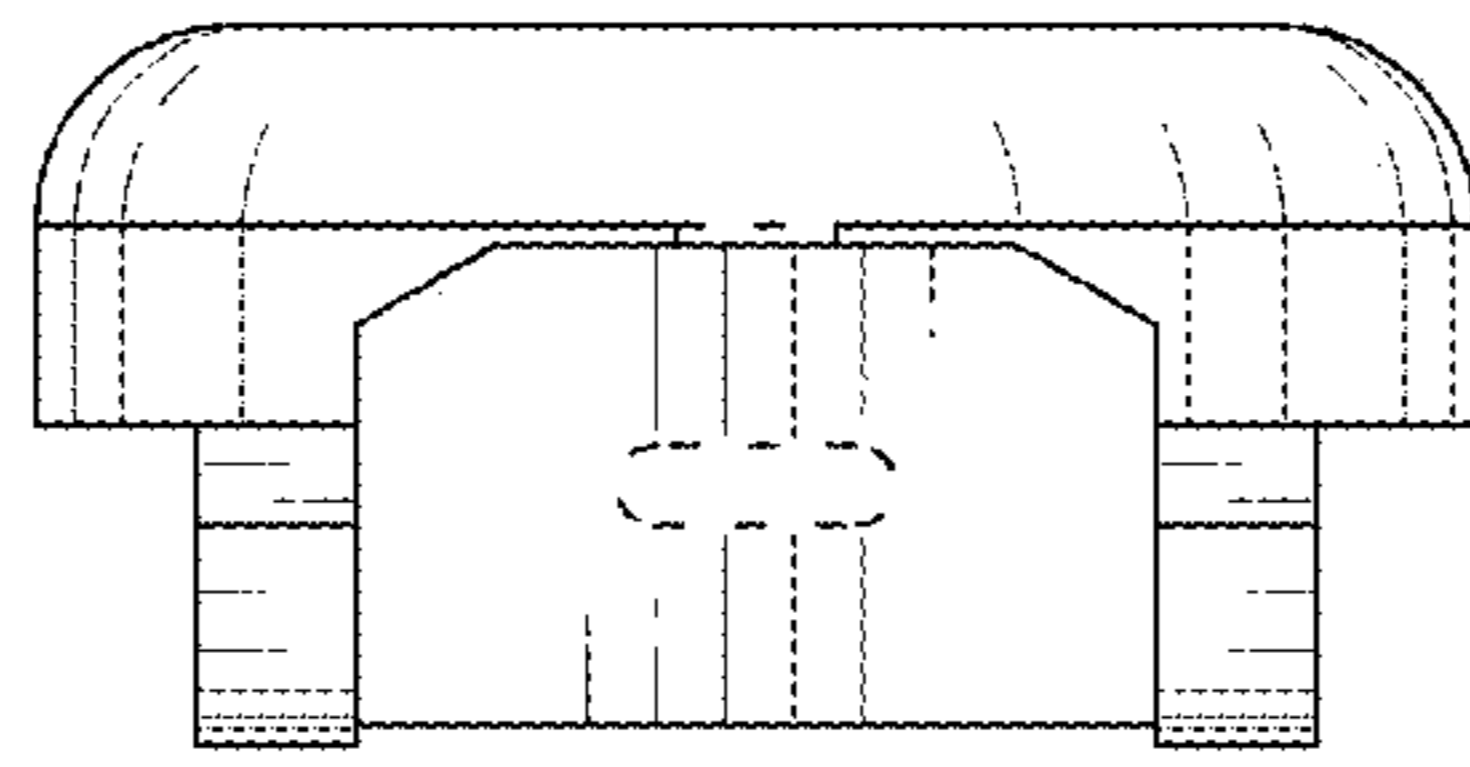


FIG. 6



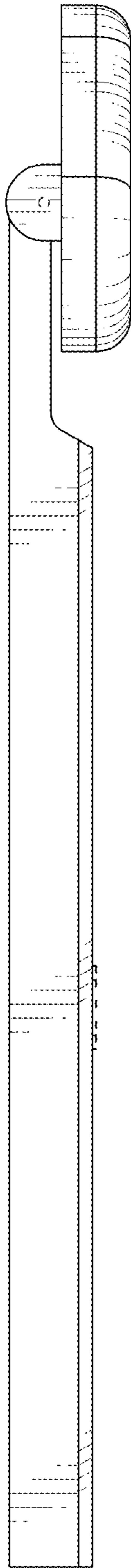


FIG. 7

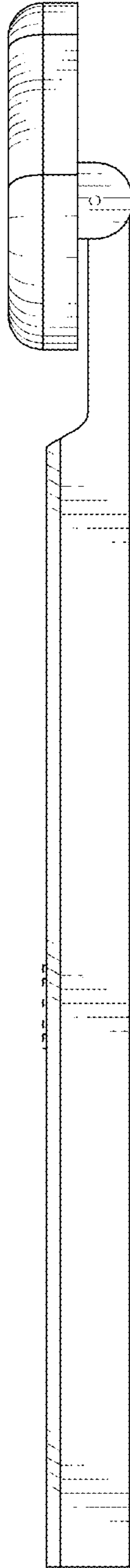


FIG. 8

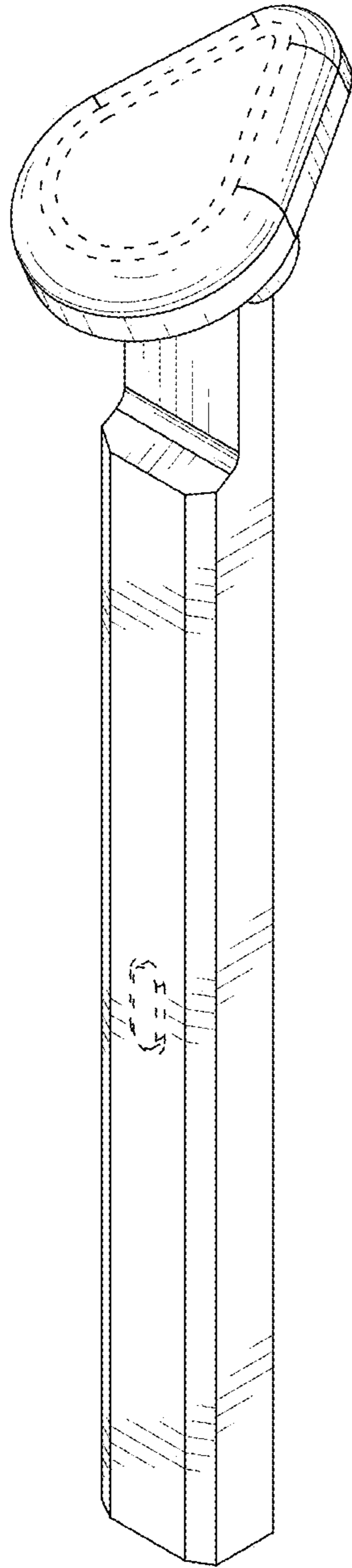


FIG. 9

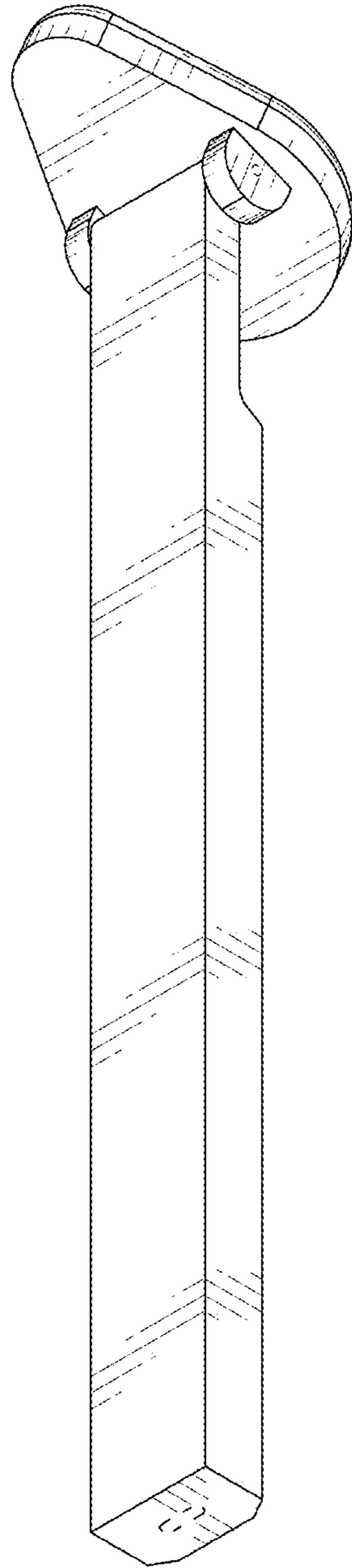


FIG. 10