



US0D1023200S

(12) **United States Design Patent** (10) **Patent No.:** **US D1,023,200 S**
Andrews (45) **Date of Patent:** **** Apr. 16, 2024**

(54) **GOLF CLUB HEAD**
(71) Applicant: **PARSONS XTREME GOLF, LLC**,
Scottsdale, AZ (US)
(72) Inventor: **Matthew T. Andrews**, Scottsdale, AZ
(US)
(73) Assignee: **PARSONS XTREME GOLF, LLC**,
Scottsdale, AZ (US)

5,390,919 A 2/1995 Stubbs et al.
D359,330 S 6/1995 Channell
D360,444 S 7/1995 Takahashi et al.
5,429,366 A 7/1995 McCabe
D363,101 S 10/1995 Sturm
D364,665 S 11/1995 Goodrich
D365,864 S 1/1996 Sturm

(Continued)

(**) Term: **15 Years**

(21) Appl. No.: **29/841,755**

(22) Filed: **Jun. 8, 2022**

(51) **LOC (14) Cl.** **21-02**

(52) **U.S. Cl.**
USPC **D21/736**

(58) **Field of Classification Search**
USPC D21/736-746, 759
CPC A63B 53/00; A63B 53/04; A63B 53/007;
A63B 53/065; A63B 53/0487; A63B
60/00; A63B 60/46
See application file for complete search history.

FOREIGN PATENT DOCUMENTS

JP 2004223184 A 8/2004
JP 2005160691 A 6/2005
KR 20100065481 A 6/2010
KR 101773069 B1 8/2017

OTHER PUBLICATIONS

Golf putters google search; google com; Jan. 19, 2024.*
(Continued)

Primary Examiner — Mitchell I. Siegel

(57) **CLAIM**

The ornamental design for a golf club head, as shown and described.

(56) **References Cited**

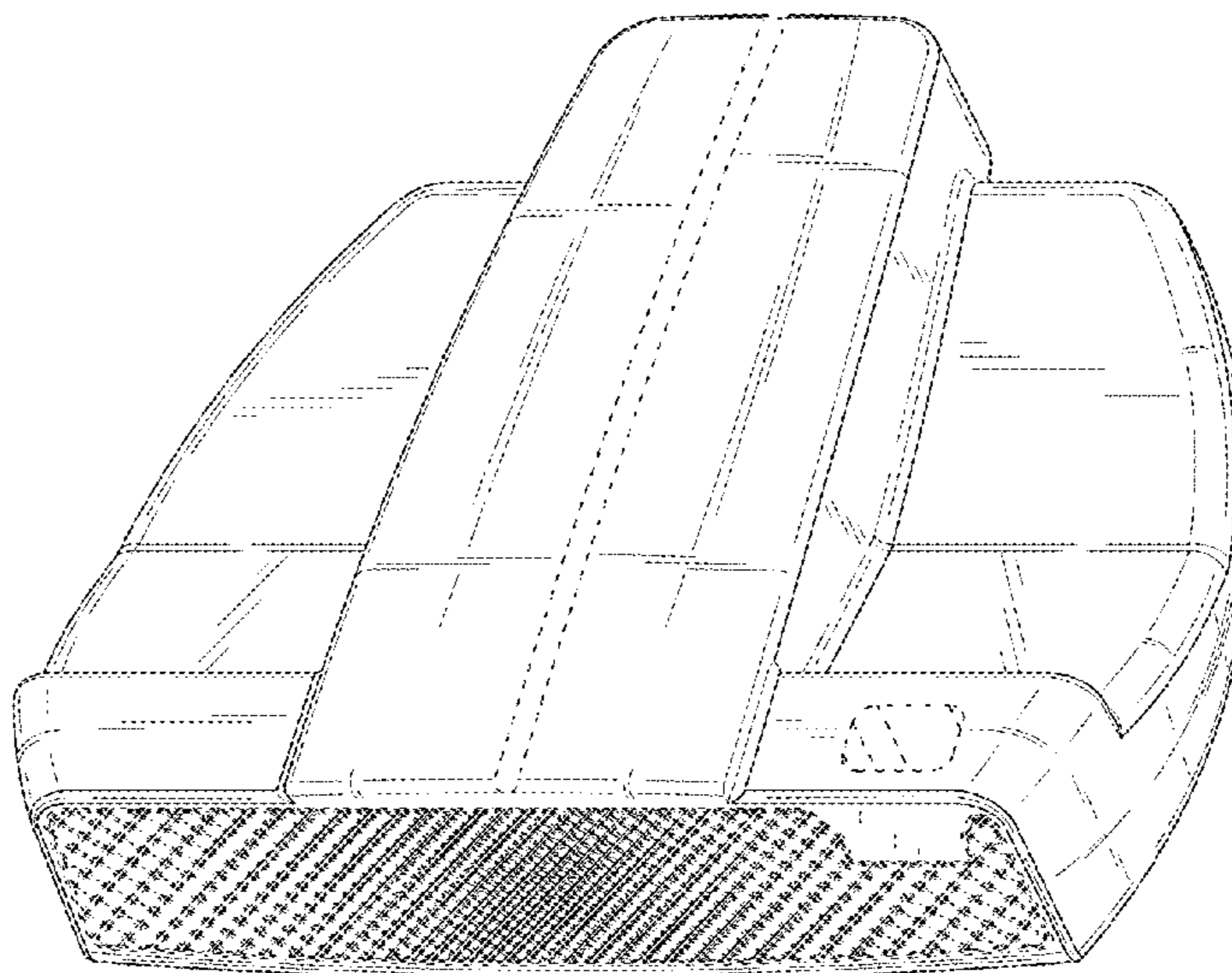
U.S. PATENT DOCUMENTS

723,534 A 3/1903 Knight
922,444 A 5/1909 Youds
1,094,599 A 4/1914 Samson
D57,980 S 5/1921 Kraeuter
D63,284 S 11/1923 Challis
RE19,178 E 5/1934 Spiker
4,043,562 A 8/1977 Shillington
D248,783 S 8/1978 Long
D281,092 S 10/1985 Mills
4,964,641 A 10/1990 Miesch et al.
D313,451 S 1/1991 Shearer
D335,317 S 5/1993 Shearer
D335,692 S 5/1993 Antonious
D336,757 S 6/1993 Antonious
5,275,412 A 1/1994 Innes
D350,582 S 9/1994 Miansian et al.

DESCRIPTION

FIG. 1 is a top perspective view of a golf club head;
FIG. 2 is a bottom perspective view of the golf club head of FIG. 1;
FIG. 3 is a front elevational view of the golf club head of FIG. 1;
FIG. 4 is a rear elevational view of the golf club head of FIG. 1;
FIG. 5 is a top view of the golf club head of FIG. 1;
FIG. 6 is a bottom view of the golf club head of FIG. 1;
FIG. 7 is a left side view of the golf club head of FIG. 1; and,
FIG. 8 is a right side view of the golf club head of FIG. 1.
The broken lines shown on the drawings form no part of the claimed design.

1 Claim, 4 Drawing Sheets



(56)

References Cited

U.S. PATENT DOCUMENTS

5,489,097 A	2/1996	Simmons	D532,067 S	11/2006	Soracco et al.
D368,751 S	4/1996	Rife	7,156,752 B1	1/2007	Bennett
D369,393 S	4/1996	Takahashi et al.	D537,898 S	3/2007	Kuan et al.
5,571,053 A	11/1996	Lane	7,204,765 B2	4/2007	Cover et al.
D378,688 S	4/1997	Cameron	D542,869 S	5/2007	Adams
D380,514 S	7/1997	Markley	D542,873 S	5/2007	Oldknow
D381,382 S	7/1997	Fenton, Jr.	D543,598 S	5/2007	Kuan et al.
D385,609 S	10/1997	Cameron	D556,277 S	11/2007	Broom
5,683,307 A	11/1997	Rife	7,309,297 B1	12/2007	Solari
D388,143 S	12/1997	Huan-Chiang	D561,854 S	2/2008	Morris
D389,207 S	1/1998	Cameron	7,331,876 B2	2/2008	Klein
D398,685 S	9/1998	Masuda	D565,137 S	3/2008	Oldknow et al.
5,807,190 A	9/1998	Krumme et al.	7,351,162 B2	4/2008	Soracco et al.
D399,274 S	10/1998	Bradford	D569,460 S	5/2008	Walker et al.
D399,290 S	10/1998	Sizemore, Jr.	D569,461 S	5/2008	Morris
D399,911 S	10/1998	Nicolette et al.	D569,930 S	5/2008	Nehrbas
5,839,974 A	11/1998	McAllister	D574,050 S	7/2008	Jones et al.
D405,836 S	2/1999	Nicolette et al.	7,396,289 B2	7/2008	Soracco et al.
D409,701 S	5/1999	Ashcraft et al.	D577,085 S	9/2008	Nicolette et al.
D411,275 S	6/1999	Bottema et al.	D577,086 S	9/2008	Nicolette et al.
5,924,938 A	7/1999	Hines	D579,506 S	10/2008	Nicolette et al.
D415,809 S	10/1999	Bottema et al.	D579,995 S	11/2008	Nicolette et al.
D416,062 S	11/1999	Solheim et al.	D582,497 S	12/2008	Rollinson
D416,969 S	11/1999	Solheim et al.	7,473,189 B2	1/2009	Schweigert et al.
D416,970 S	11/1999	Solheim et al.	7,491,131 B2	2/2009	Vinton
6,007,434 A	12/1999	Baker et al.	D594,921 S	6/2009	Bettinardi
D421,473 S	3/2000	Solheim et al.	D595,370 S	6/2009	Ines et al.
D422,041 S	3/2000	Bradford	D595,793 S	7/2009	Rollinson
D422,655 S	4/2000	Hicks	D599,425 S	9/2009	Laub
6,089,993 A	7/2000	Woodward et al.	D599,867 S	9/2009	Teramoto
D429,302 S	8/2000	Antonious	D600,295 S	9/2009	Meeks
6,110,057 A	8/2000	McKinnon	D600,762 S	9/2009	Serrano et al.
D430,914 S	9/2000	Antonious	D600,763 S	9/2009	Cameron
D431,853 S	10/2000	Antonious	D601,214 S	9/2009	Serrano et al.
D431,854 S	10/2000	Cameron	D606,139 S	12/2009	Ines et al.
D432,192 S	10/2000	Hicks	D606,140 S	12/2009	Ramsauer
D436,151 S	1/2001	Nicolette et al.	D606,141 S	12/2009	Ramsauer
D437,374 S	2/2001	Cameron	D606,142 S	12/2009	Ramsauer
D441,820 S	5/2001	Nicolette et al.	D607,951 S	1/2010	Teramoto
D443,668 S	6/2001	Nicolette et al.	D607,952 S	1/2010	Demkowski et al.
D443,905 S	6/2001	Nicolette et al.	D617,857 S	6/2010	Sones
D444,833 S	7/2001	Wells et al.	7,744,485 B2	6/2010	Jones et al.
D444,835 S	7/2001	Wahl et al.	D619,666 S	7/2010	DePaul
6,257,994 B1	7/2001	Antonious	D620,993 S	8/2010	Laub
6,264,571 B1	7/2001	Lekavich	D621,461 S	8/2010	Serrano et al.
D449,664 S	10/2001	Beebe et al.	D623,709 S	9/2010	Serrano et al.
D449,865 S	10/2001	Fife, Jr. et al.	7,867,104 B2	1/2011	Franklin et al.
D450,799 S	11/2001	Nicolette et al.	D631,925 S	2/2011	Broom
D451,973 S	12/2001	Wells et al.	7,887,432 B2	2/2011	Jones et al.
6,348,014 B1	2/2002	Chiu	D633,964 S	3/2011	Teramoto
6,354,959 B1	3/2002	Nicolette et al.	7,909,707 B2	3/2011	Klein
6,394,910 B1	5/2002	McCarthy	7,918,745 B2	4/2011	Morris et al.
D461,514 S *	8/2002	Tang D21/742	7,927,226 B1	4/2011	Twitty
D461,861 S *	8/2002	Tang D21/742	D638,891 S	5/2011	Nicolette et al.
D472,949 S	4/2003	Serrano	7,942,758 B2	5/2011	Nakamura
D474,821 S	5/2003	Wells et al.	D639,369 S	6/2011	Miyamichi
6,652,390 B2	11/2003	Bradford	D642,643 S	8/2011	Nicolette et al.
D483,086 S	12/2003	Schweigert et al.	D643,485 S	8/2011	Nicolette et al.
D486,872 S	2/2004	Schweigert et al.	D645,104 S	9/2011	Nicolette et al.
D488,200 S	4/2004	Olsavsky et al.	8,096,039 B2	1/2012	Soracco et al.
D498,276 S	11/2004	Schweigert et al.	D653,718 S	2/2012	Stokke et al.
D500,823 S	1/2005	Aldrich	8,109,841 B2	2/2012	Miyamichi
D502,518 S	3/2005	Smart	D655,361 S	3/2012	Ramsauer
6,902,496 B2	6/2005	Solheim et al.	D657,836 S	4/2012	Oldknow et al.
D509,273 S	9/2005	Morris et al.	D657,837 S	4/2012	Oldknow et al.
D511,801 S	11/2005	Garcia	D658,245 S	4/2012	Oldknow et al.
D512,114 S	11/2005	Garcia	D661,753 S	6/2012	Cameron et al.
D512,116 S	11/2005	Mirafior et al.	D666,260 S	8/2012	Cynn
6,988,955 B2	1/2006	Stoakes	8,303,434 B1	11/2012	DePaul
6,988,956 B2	1/2006	Cover et al.	D672,418 S	12/2012	Rollinson
D520,088 S	5/2006	Parr	8,328,654 B2	12/2012	Demkowski et al.
D520,584 S	5/2006	Karlsen	8,371,958 B2	2/2013	Treadwell
D529,109 S	9/2006	Jones	D688,339 S	8/2013	Hilton et al.
D531,242 S	10/2006	Adams	D688,341 S	8/2013	Rollinson
7,125,341 B1	10/2006	D'Eath	D691,226 S	10/2013	Hilton et al.
			D699,308 S	2/2014	Rollinson
			8,696,492 B1	4/2014	Hocknell et al.
			D704,782 S	5/2014	Rollinson
			8,721,472 B2	5/2014	Kuan et al.

(56)

References Cited

U.S. PATENT DOCUMENTS

8,790,193 B2 7/2014 Serrano et al.
 D711,483 S 8/2014 Wong
 D715,388 S 10/2014 Serrano et al.
 8,900,064 B2 12/2014 Franklin
 D722,350 S 2/2015 Schweigert
 D722,351 S 2/2015 Parsons et al.
 D725,208 S 3/2015 Schweigert
 D726,270 S 4/2015 Rollinson
 D726,846 S 4/2015 Schweigert
 D730,462 S 5/2015 Becktor et al.
 D732,122 S 6/2015 Becktor
 D732,618 S 6/2015 Becktor et al.
 D735,283 S 7/2015 Solheim et al.
 9,108,088 B2 8/2015 Serrano et al.
 D738,447 S 9/2015 Schweigert
 D738,449 S 9/2015 Schweigert
 D739,487 S 9/2015 Schweigert
 9,144,717 B2 9/2015 Franklin et al.
 D741,426 S 10/2015 Schweigert
 D748,213 S 1/2016 Parsons et al.
 D748,215 S 1/2016 Parsons et al.
 9,233,283 B2 1/2016 Schweigert
 D750,186 S 2/2016 Schweigert
 9,265,996 B1 2/2016 Abbott et al.
 D752,697 S 3/2016 Claveran
 D753,252 S 4/2016 Schweigert
 9,440,124 B2 9/2016 Parsons et al.
 9,498,685 B2 11/2016 Abbott et al.
 D774,607 S * 12/2016 Serrano D21/743
 9,566,484 B1 2/2017 Abbott et al.
 D783,745 S 4/2017 Chen
 D791,254 S 7/2017 Ramsauer
 D791,891 S 7/2017 Davis
 D794,146 S 8/2017 Davis
 D798,975 S 10/2017 Becktor
 D798,976 S 10/2017 Becktor
 D798,977 S 10/2017 Becktor
 D798,978 S 10/2017 Becktor
 D798,979 S 10/2017 Becktor
 D798,980 S 10/2017 Becktor
 D798,981 S 10/2017 Becktor et al.
 D799,615 S 10/2017 Kroloff et al.
 D799,619 S 10/2017 Becktor et al.
 D802,073 S 11/2017 Toulon
 D809,616 S 2/2018 Toulon et al.
 D812,163 S 3/2018 Kroloff
 D812,164 S 3/2018 Parsons et al.
 D815,703 S 4/2018 Schweigert
 9,987,530 B2 6/2018 Jertson et al.
 D824,462 S 7/2018 Bruschi et al.
 D827,742 S 9/2018 Weaver
 D831,766 S 10/2018 Schweigert
 D832,949 S 11/2018 Nicolette
 D832,950 S * 11/2018 Serrano D21/746
 D835,217 S 12/2018 Nicolette
 D837,911 S 1/2019 Bruschi et al.
 10,173,105 B2 1/2019 Myers et al.
 D839,977 S 2/2019 Rollinson et al.
 D842,952 S 3/2019 Schweigert et al.
 D844,085 S 3/2019 Nicolette
 D844,723 S 4/2019 Nicolette
 D848,562 S 5/2019 Nicolette et al.
 D859,545 S 9/2019 Long et al.
 D861,091 S 9/2019 Glorioso et al.
 D866,691 S 11/2019 Nicolette
 10,493,331 B2 12/2019 Kroloff et al.
 D872,816 S 1/2020 Parsons et al.
 D877,831 S 3/2020 Cameron
 D879,222 S * 3/2020 Serrano D21/742
 D892,243 S 8/2020 Rollinson et al.
 D893,655 S 8/2020 Schweigert et al.
 10,737,153 B2 8/2020 Schweigert et al.
 D895,037 S 9/2020 Clarke et al.
 D896,328 S 9/2020 Clarke et al.
 D896,903 S 9/2020 Schweigert et al.

D906,453 S 12/2020 Agrella et al.
 D906,457 S 12/2020 Lambeth et al.
 D907,146 S 1/2021 Cyrulik et al.
 D907,147 S 1/2021 Agrella et al.
 D907,730 S 1/2021 Rollinson et al.
 D909,504 S 2/2021 Schweigert et al.
 D909,505 S 2/2021 Schweigert et al.
 D909,506 S 2/2021 Schweigert et al.
 D910,789 S 2/2021 Schweigert et al.
 D910,790 S 2/2021 Schweigert et al.
 D913,388 S 3/2021 Nicolette
 D913,389 S 3/2021 Schweigert et al.
 10,960,271 B2 3/2021 Kroloff et al.
 D919,722 S 5/2021 Parsons et al.
 D920,452 S 5/2021 Parsons et al.
 D923,729 S 6/2021 Nicolette et al.
 D924,345 S 7/2021 Nicolette et al.
 D924,346 S 7/2021 Nicolette et al.
 D925,673 S 7/2021 Parsons et al.
 D926,898 S 8/2021 Schweigert et al.
 D927,619 S 8/2021 Andrews
 D927,622 S 8/2021 Schweigert et al.
 D928,259 S * 8/2021 Andrews D21/736
 D928,263 S 8/2021 Schweigert et al.
 D933,766 S 10/2021 Parsons et al.
 D934,363 S * 10/2021 Serrano D21/746
 D939,652 S 12/2021 Kroloff
 D940,804 S 1/2022 Andrews et al.
 D941,945 S 1/2022 Nicolette et al.
 D945,542 S 3/2022 Andrews
 D945,543 S 3/2022 Kroloff et al.
 D945,544 S 3/2022 Kroloff et al.
 D949,269 S 4/2022 Andrews
 D949,270 S 4/2022 Andrews
 D951,379 S 5/2022 Andrews
 D952,081 S 5/2022 Kirtley et al.
 D952,082 S 5/2022 Andrews et al.
 D954,873 S * 6/2022 Andrews D21/736
 D954,874 S 6/2022 Nicolette et al.
 D954,875 S 6/2022 Parsons et al.
 D960,270 S * 8/2022 Wang D21/744
 D972,057 S * 12/2022 Clarke D21/743
 D973,163 S * 12/2022 Clarke D21/744
 D986,998 S * 5/2023 Andrews D21/736
 D986,999 S * 5/2023 Andrews D21/736
 2004/0138003 A1 7/2004 Grace
 2004/0180730 A1 9/2004 Franklin et al.
 2006/0052178 A1 3/2006 Franklin et al.
 2006/0094522 A1 5/2006 Tang et al.
 2006/0223649 A1 10/2006 Rife
 2007/0129163 A1 6/2007 Solari
 2007/0135229 A1 6/2007 Lo et al.
 2007/0142122 A1 6/2007 Bonneau
 2007/0207875 A1 9/2007 Kuan et al.
 2007/0238548 A1 10/2007 Johnson
 2008/0139333 A1 6/2008 Klein
 2008/0146372 A1 6/2008 John
 2008/0176672 A1 7/2008 Roach et al.
 2009/0029800 A1 1/2009 Jones et al.
 2010/0255922 A1 10/2010 Lueders
 2013/0165256 A1 6/2013 Stevenson
 2013/0210537 A1 8/2013 Ainscough et al.
 2015/0057100 A1 2/2015 Serrano et al.
 2015/0258390 A1 9/2015 DeFrancesco, Jr.
 2015/0306477 A1 10/2015 Parsons et al.
 2016/0016050 A1 1/2016 Rife
 2016/0346649 A1 12/2016 Jertson et al.
 2017/0036078 A1 * 2/2017 Serrano A63B 53/0487
 2018/0001163 A1 1/2018 Becktor et al.
 2018/0311545 A1 11/2018 Lambeth et al.
 2019/0175995 A1 6/2019 Kroloff et al.
 2019/0175996 A1 6/2019 Kroloff et al.
 2020/0061421 A1 2/2020 Kroloff et al.

OTHER PUBLICATIONS

Pxg putters google search; google com; Jan. 19, 2024.*
 pxg.com; Jan. 19, 2024.*

(56)

References Cited

OTHER PUBLICATIONS

Plugged In Golf (2015 Bettinardi Putters Review) [online]. Mar. 3, 2015 [retrieve Nov. 25, 2019] Retrieve from the internet: URL: <https://pluggedingolf.com/2015-bettinardi-putters-review/>.
TourSpecGolf (Gold's Factory Multi Weighted Custom Putter), Published Nov. 20, 2010 [http://blog.tourspecgolf.com/golds-factory-multi-weighted-custom-putter/], Retrieved May 17, 2020.
U.S. Appl. No. 29/523,587, Schweigert, "Golf Club Head," filed Apr. 10, 2015.

* cited by examiner

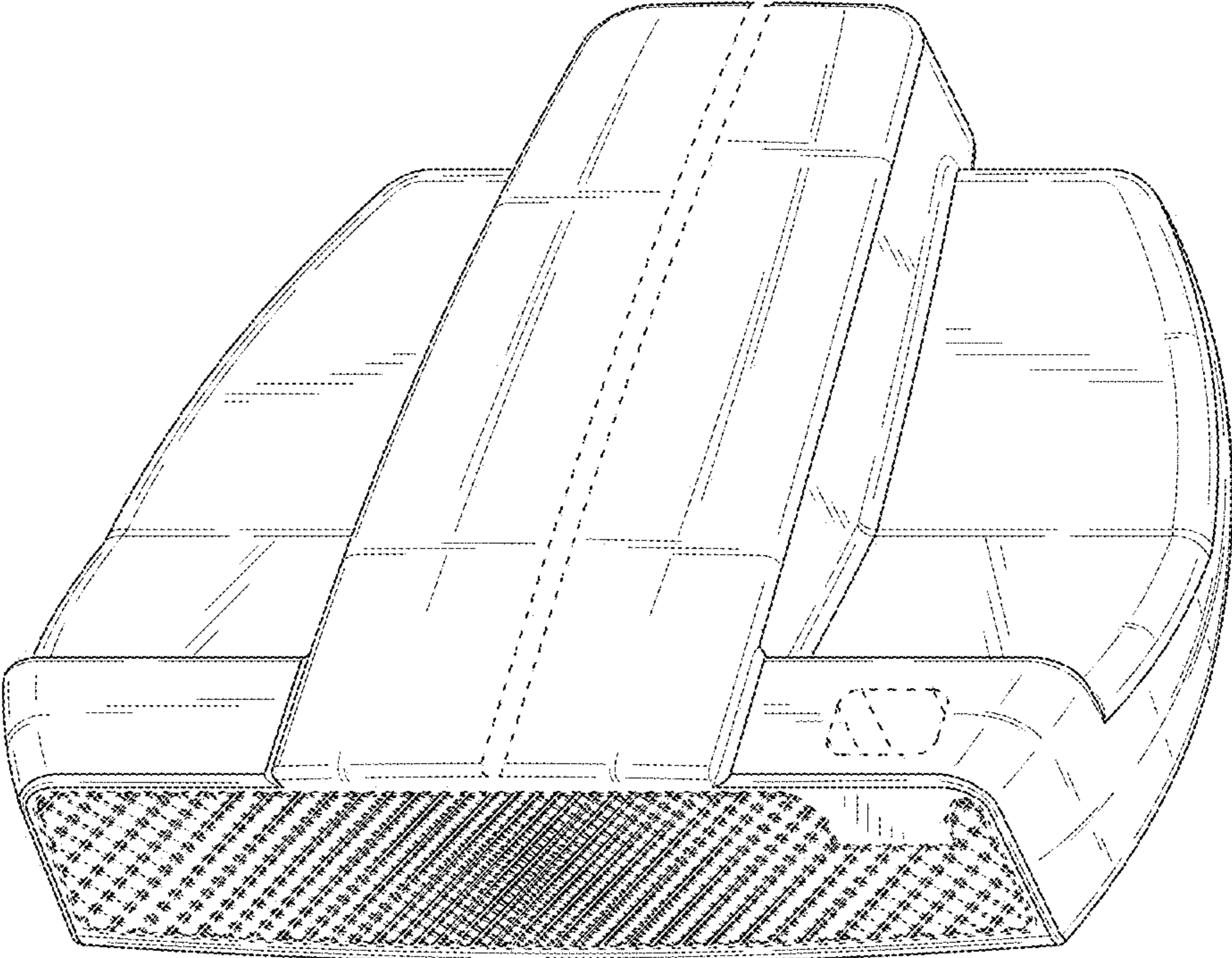


FIG. 1

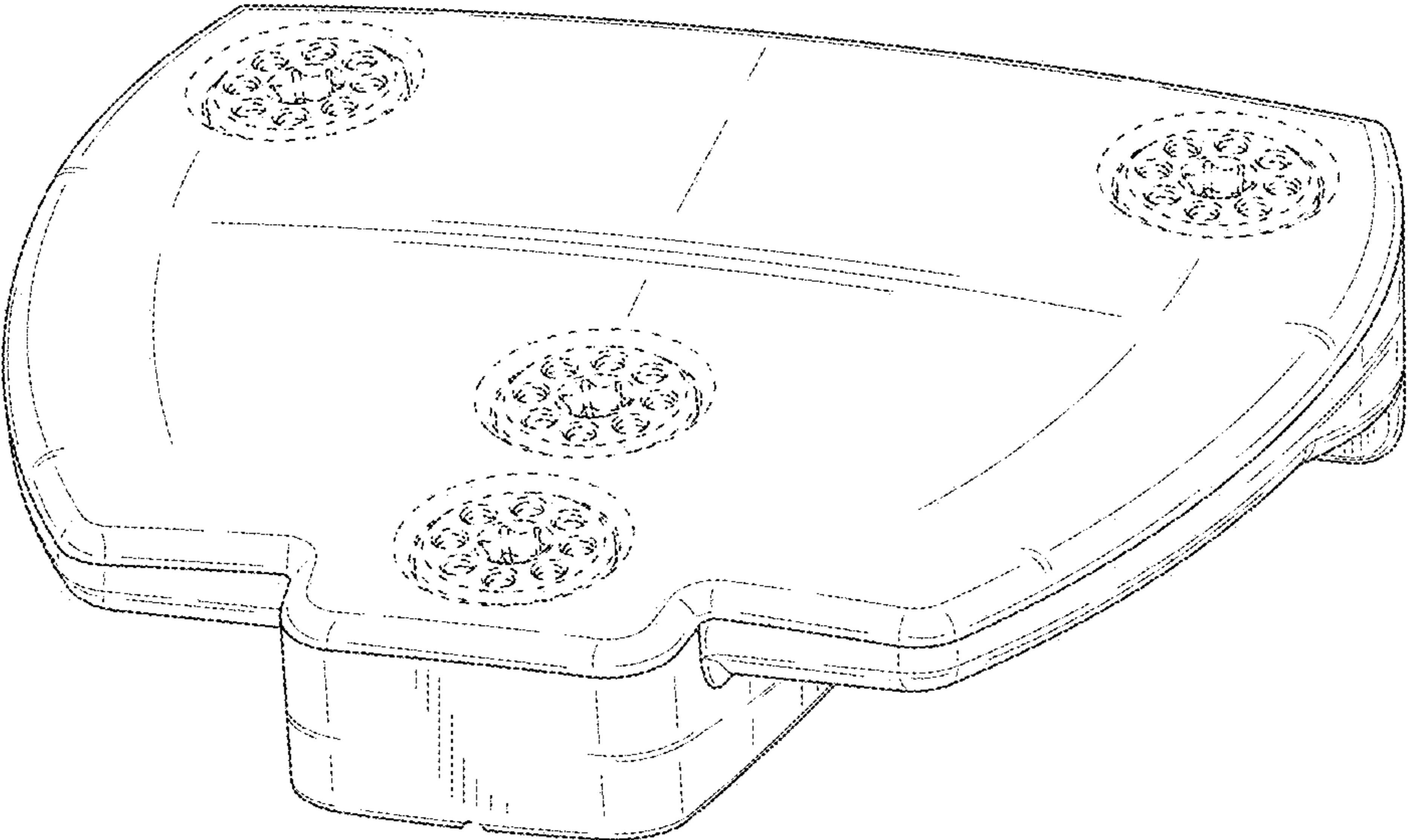


FIG. 2

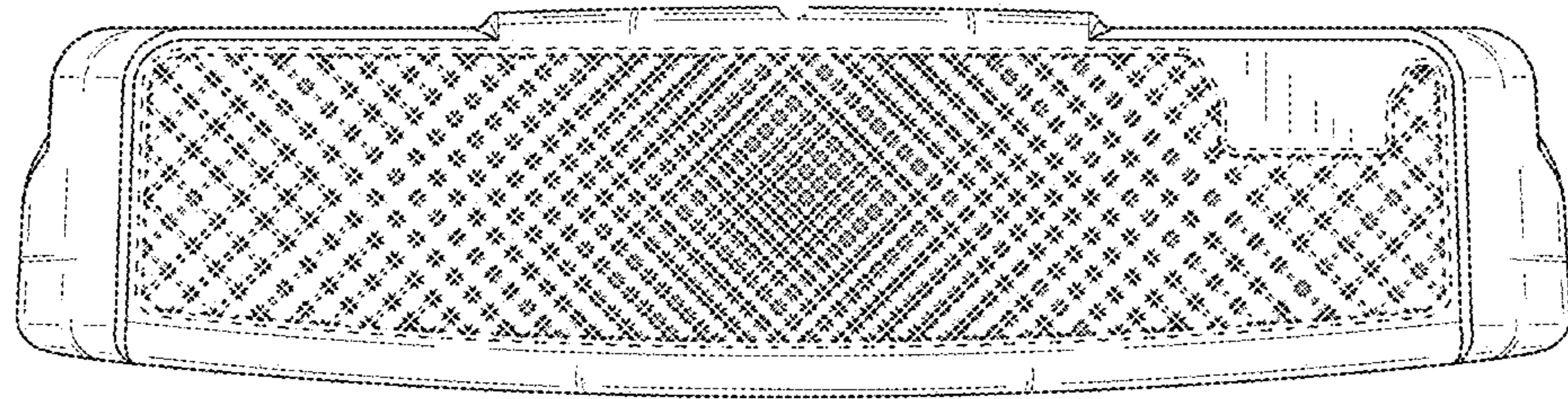


FIG. 3

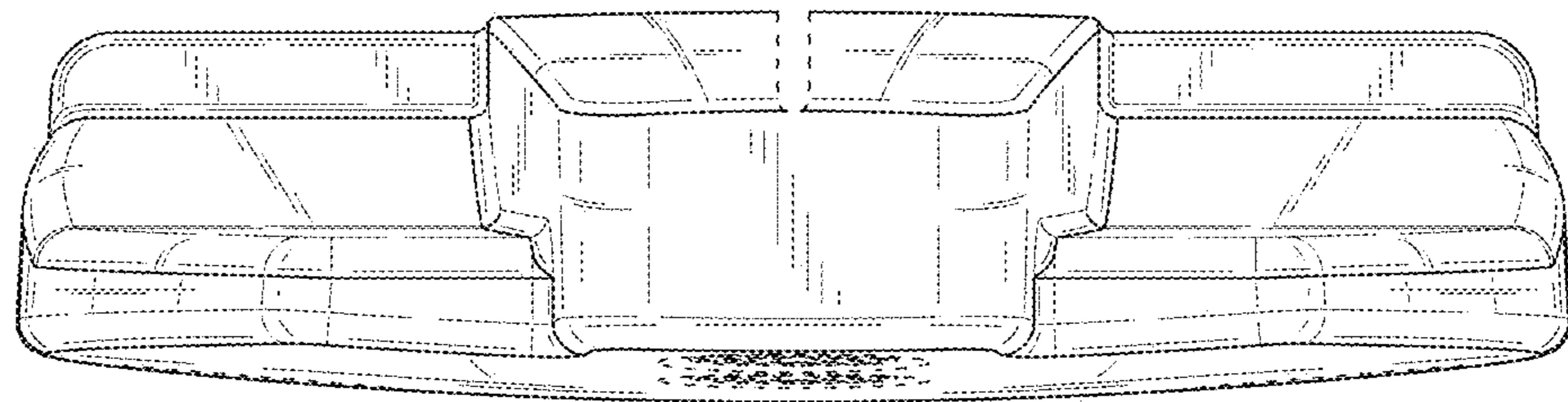


FIG. 4

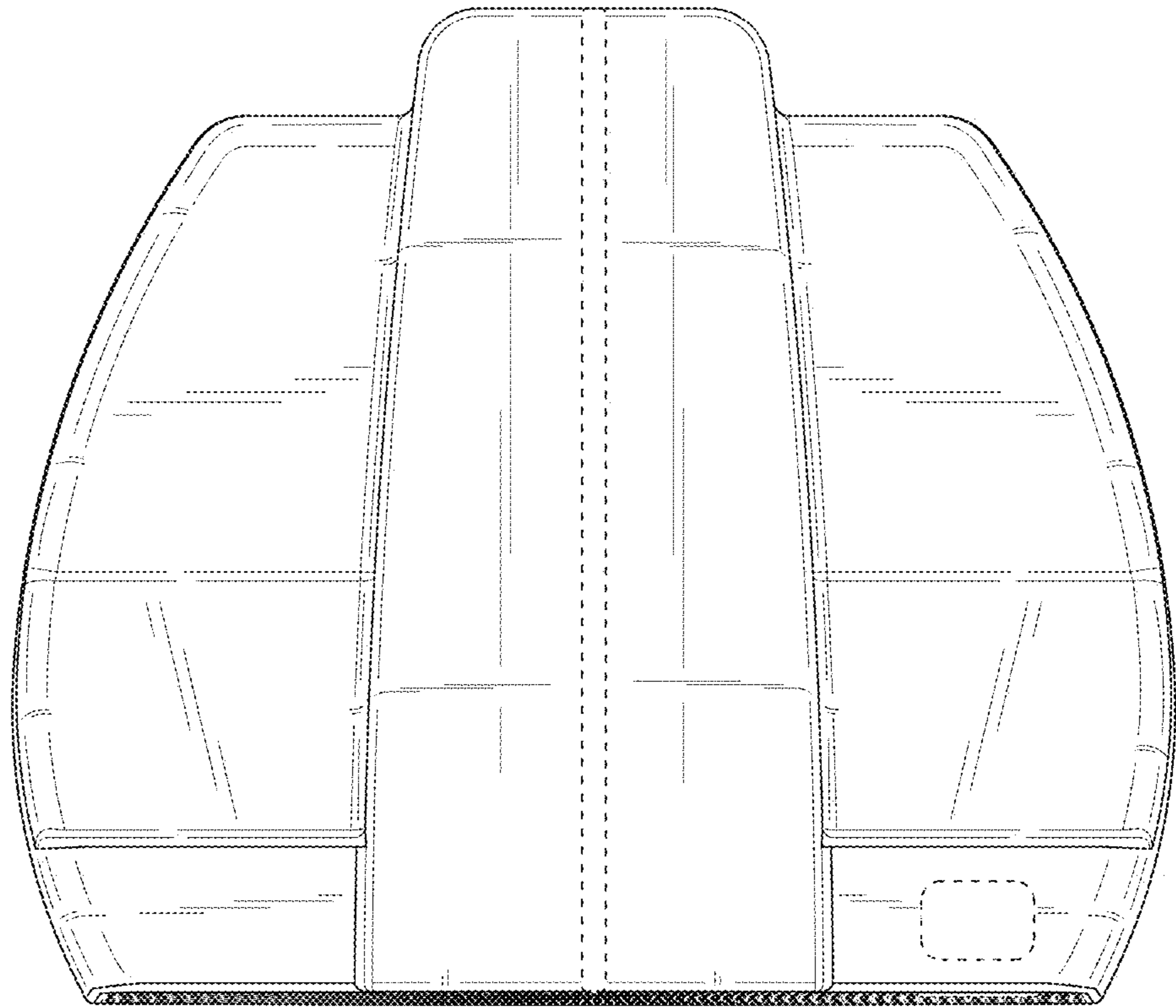


FIG. 5

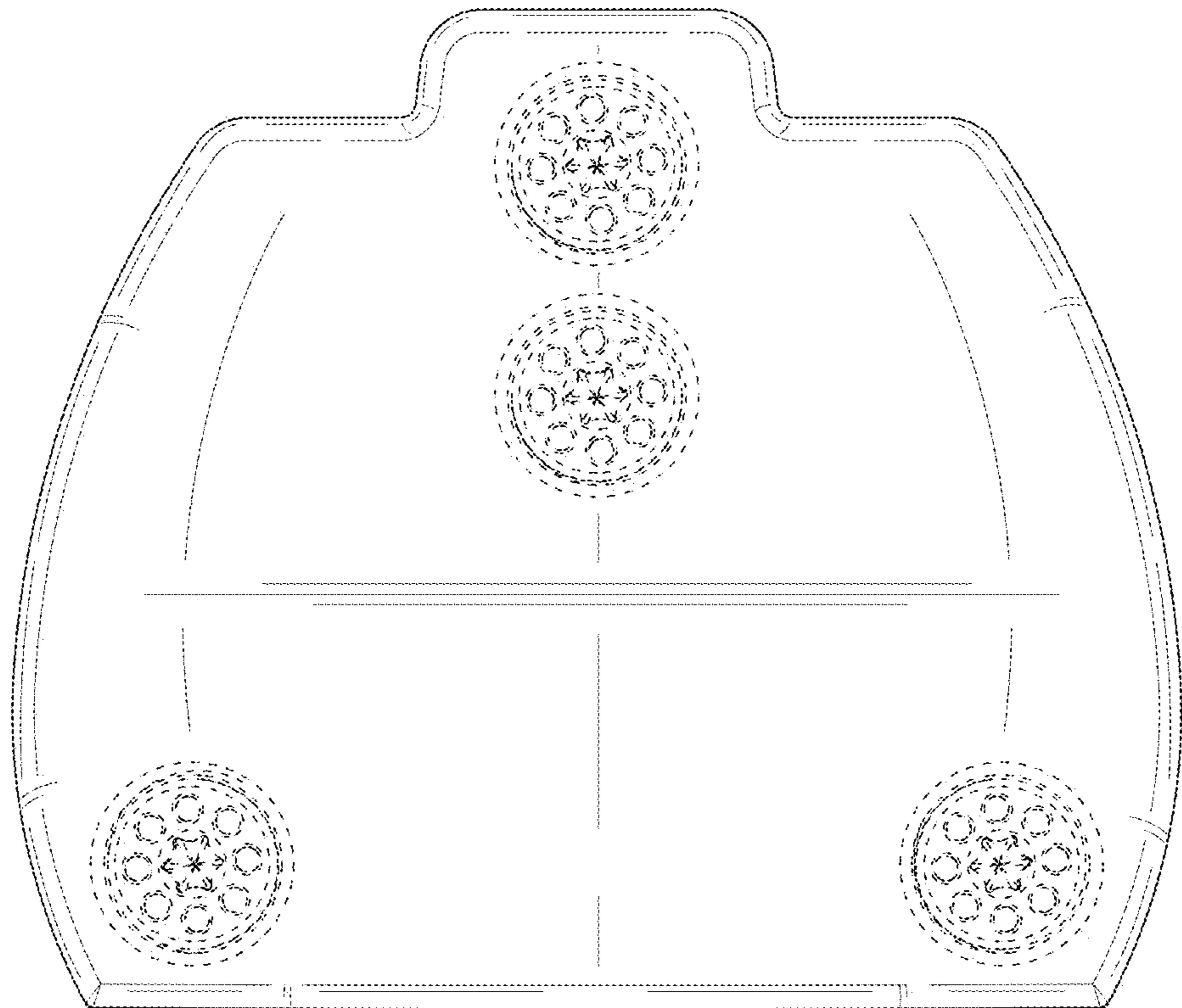


FIG. 6

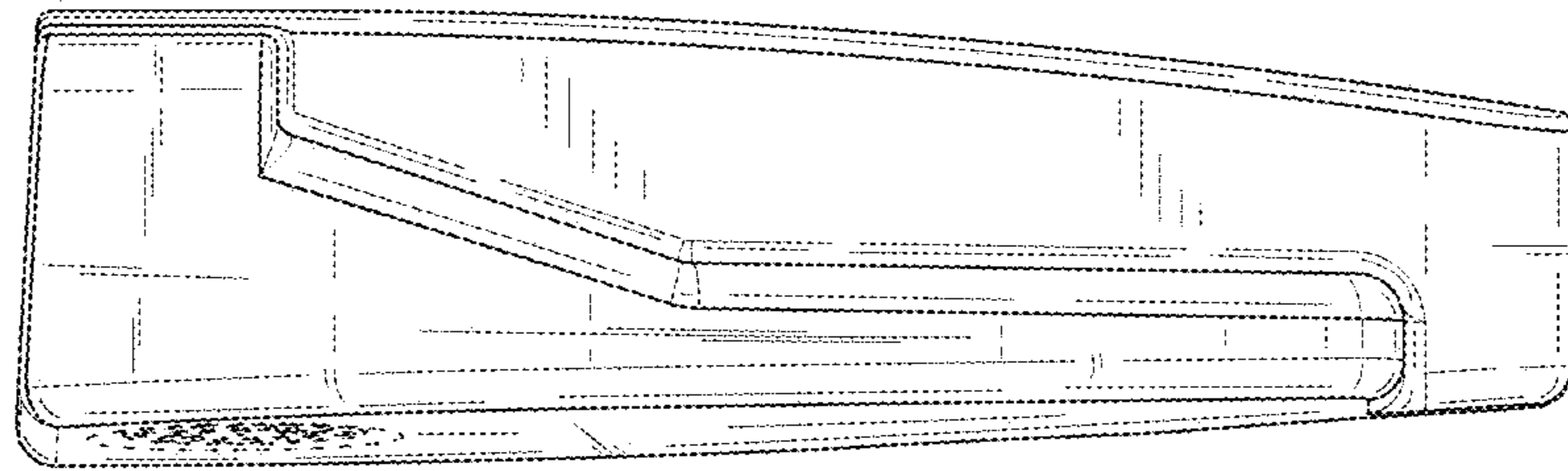


FIG. 7

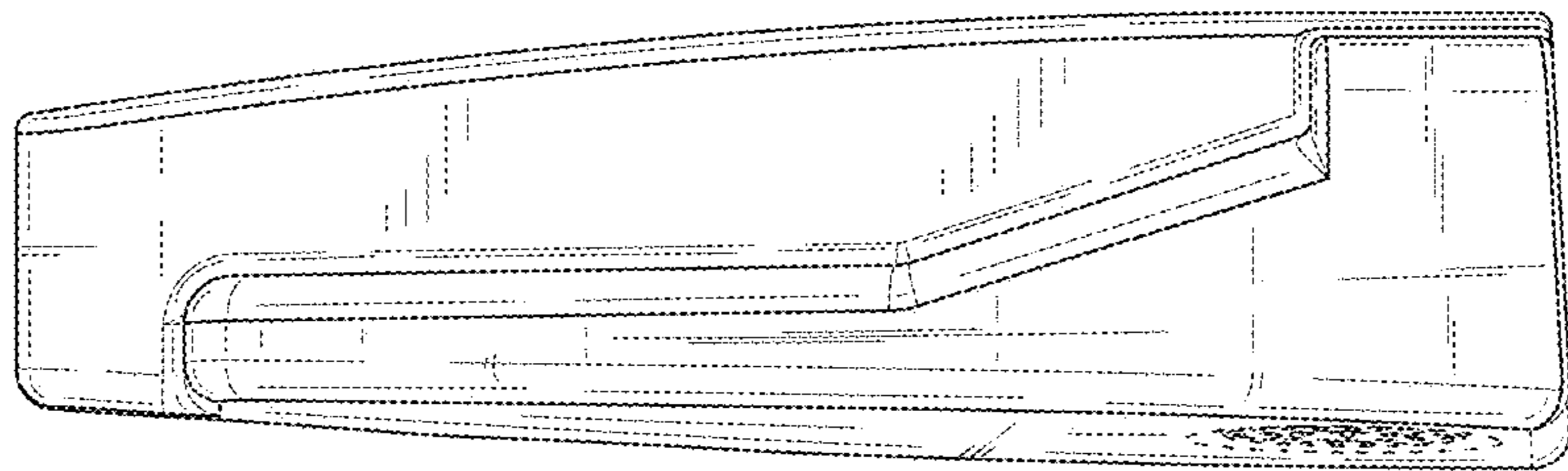


FIG. 8