



US0D1023061S

(12) **United States Design Patent** (10) **Patent No.:** **US D1,023,061 S**
Becker (45) **Date of Patent:** **** Apr. 16, 2024**

- (54) **RAM-AIR INTAKE**
- (71) Applicant: **Velossa Tech Engineering Inc.**, Davie, FL (US)
- (72) Inventor: **Dan Joseph Becker**, Davie, FL (US)
- (73) Assignee: **Velossa Tech Engineering, Inc.**, Davie, FL (US)
- (**) Term: **15 Years**
- (21) Appl. No.: **29/817,931**
- (22) Filed: **Dec. 6, 2021**

- D453,774 S 2/2002 Garcia
 - 6,698,539 B2 3/2004 Decuir
 - 7,114,476 B1 10/2006 Wimmer
 - 8,960,347 B2 2/2015 Bennett
 - 9,062,639 B1 6/2015 MacKenzie et al.
 - D762,247 S 7/2016 Niakan et al.
- (Continued)

FOREIGN PATENT DOCUMENTS

- DE 102005040850 A1 3/2007
 - EP 0867608 A2 9/1998
- (Continued)

OTHER PUBLICATIONS

U.S. Non-Final Office Action dated Sep. 21, 2021 cited in U.S. Appl. No. 16/785,609, 31 pgs.
(Continued)

Primary Examiner — Ania Aman
(74) *Attorney, Agent, or Firm* — BEKIARES ELIEZER LLP

Related U.S. Application Data

- (63) Continuation of application No. 16/785,609, filed on Feb. 9, 2020.
 - (51) **LOC (14) Cl.** **15-01**
 - (52) **U.S. Cl.**
USPC **D15/5**
 - (58) **Field of Classification Search**
USPC D15/1, 5; D23/384, 386, 387, 393, 394, D23/266, 263, 262, 260, 264
CPC B60K 13/02; F02M 35/10013; F02M 35/10262; F02M 35/104; F02M 35/10026; F02M 35/10078; F02M 35/10091
- See application file for complete search history.

(57) **CLAIM**

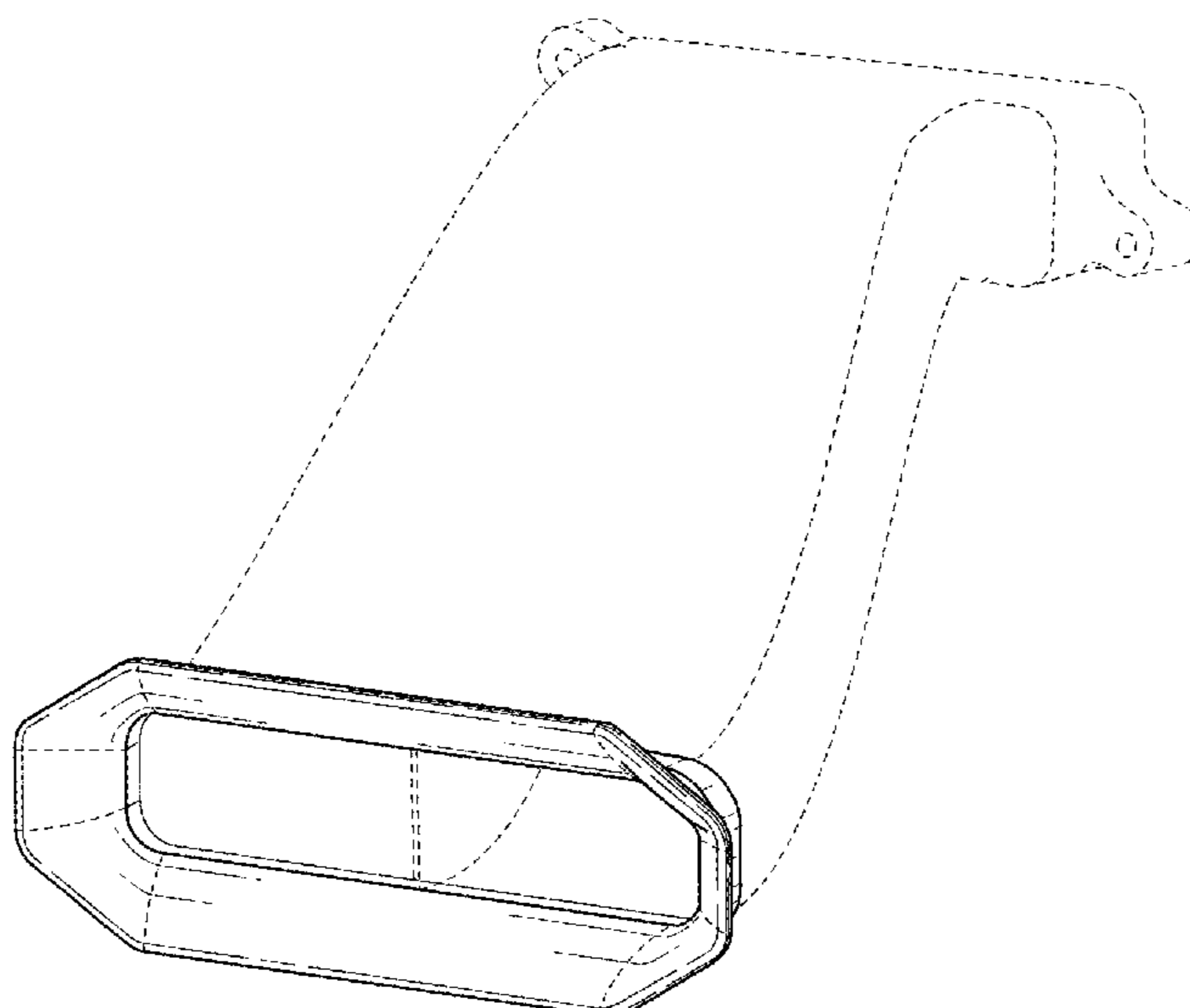
The ornamental design for a ram-air intake, as shown and described.

DESCRIPTION

FIG. 1 is a perspective view of a ram-air intake showing my new design;
FIG. 2 is a first side view thereof;
FIG. 3 is a second side view thereof;
FIG. 4 is a top view thereof;
FIG. 5 is a bottom view thereof;
FIG. 6 is a back view thereof;
FIG. 7 is a front view thereof; and,
FIG. 8 is a front view showing the ram-air intake in use.
The broken lines illustrate portions of the ram-air intake that do not form a part of the claimed design.

- (56) **References Cited**
U.S. PATENT DOCUMENTS
- | | | |
|-------------|---------|-------------------|
| 2,114,783 A | 4/1938 | Kowitt |
| 3,485,252 A | 12/1969 | Brown |
| 4,610,326 A | 9/1986 | Kirchweger et al. |
| 4,782,912 A | 11/1988 | Wandless |
| 5,069,298 A | 12/1991 | Titus |
| 5,134,977 A | 8/1992 | Bagger et al. |
| 5,147,430 A | 9/1992 | Kidd |
| 5,251,712 A | 10/1993 | Hayashi et al. |
| 5,722,358 A | 3/1998 | Fuesser et al. |

1 Claim, 8 Drawing Sheets



(56)

References Cited

U.S. PATENT DOCUMENTS

D762,736 S 8/2016 Niakan et al.
 9,574,790 B2 2/2017 Hasegawa et al.
 D810,141 S 2/2018 Ouellette
 9,909,542 B2* 3/2018 Rother F02M 35/10144
 D846,087 S 4/2019 Naber
 10,393,076 B1 8/2019 Freeman et al.
 10,428,773 B1 10/2019 Bennett et al.
 D886,868 S 6/2020 Niakan et al.
 D911,393 S 2/2021 Niakan et al.
 D1,007,531 S 12/2023 Becker
 D1,007,532 S 12/2023 Becker
 2001/0013675 A1 8/2001 Nakagawa et al.
 2001/0018022 A1 8/2001 Nakamura
 2002/0033010 A1 3/2002 Schorn
 2004/0094111 A1 5/2004 Concialdi
 2004/0139708 A1 7/2004 Giacinto
 2005/0215191 A1 9/2005 Kino
 2006/0006011 A1* 1/2006 Khouw B60K 13/02
 180/68.3
 2006/0006012 A1* 1/2006 Khouw F02M 35/04
 180/68.3
 2009/0151308 A1 6/2009 Jung
 2009/0255501 A1* 10/2009 Honzawa F02M 35/10013
 123/184.53
 2010/0032220 A1 2/2010 Ohira et al.
 2010/0083928 A1 4/2010 Saito et al.
 2010/0089355 A1 4/2010 Fredrickson et al.
 2010/0147243 A1 6/2010 Stec et al.
 2010/0229817 A1* 9/2010 Hirai F02M 35/10131
 123/184.21
 2012/0145272 A1* 6/2012 Chu F02M 35/10268
 138/111
 2012/0152632 A1* 6/2012 Azuma F02M 35/048
 180/68.3
 2015/0233329 A1* 8/2015 Morey F01P 1/06
 123/184.53
 2015/0240760 A1 8/2015 Lewington et al.
 2017/0072785 A1 3/2017 Cho
 2017/0113758 A1 4/2017 Hamaguchi et al.
 2017/0114704 A1* 4/2017 Morey F28D 15/00
 2017/0260939 A1 9/2017 Williams
 2018/0043765 A1 2/2018 Niessen et al.
 2018/0100473 A1* 4/2018 Kimura F02M 35/10013
 2018/0112635 A1* 4/2018 Cho F02M 35/1211
 2018/0372038 A1 12/2018 McCann et al.
 2019/0100073 A1 4/2019 Link et al.
 2019/0184787 A1 6/2019 Hurd, III et al.
 2019/0388820 A1 12/2019 Niakan et al.
 2020/0032747 A1* 1/2020 Gobbato F02M 35/161
 2020/0079258 A1* 3/2020 Kikuchi B60N 2/5642
 2020/0132025 A1* 4/2020 Williams F02M 35/10091
 2020/0340433 A1 10/2020 Kimura
 2021/0017940 A1 1/2021 McCann et al.

2021/0190019 A1 6/2021 Vite Cadena
 2021/0246855 A1 8/2021 Becker
 2021/0381476 A1* 12/2021 Karlsson B01D 45/02
 2022/0145835 A1* 5/2022 Maeda F02M 35/10124

FOREIGN PATENT DOCUMENTS

EP 2103511 B1 7/2010
 FR 2933045 A1 1/2010
 JP 6072074 B2 2/2017
 WO 2021163711 A1 10/2021

OTHER PUBLICATIONS

International Search Report and Written Opinion dated Nov. 17, 2021 cited in PCT Application No. PCT/US21/26465, 22 pgs.
 Video: Velossa Tech Gen 4 Released/Sneak Peak Veloster N Big Mouth With Exchangeable Flares, <https://www.youtube.com/watch?v=DBsfgLQCa6Q>, Feb. 12, 2021, 3 pgs.
 Video: Focus ST Velossa Tech Big Mouth Install, <https://www.youtube.com/watch?v=5MfC6K9doZA>, Feb. 19, 2017, 3 pgs.
 Copending Design U.S. Appl. No. 29/817,918, filed Dec. 6, 2021, Inventor: Dan Joseph Becker.
 Copending Design U.S. Appl. No. 29/817,920, filed Dec. 6, 2021, Inventor: Dan Joseph Becker.
 Copending Design U.S. Appl. No. 29/817,923, filed Dec. 6, 2021, Inventor: Dan Joseph Becker.
 Copending Design U.S. Appl. No. 29/817,926, filed Dec. 6, 2021, Inventor: Dan Joseph Becker.
 Generation 4 Interchangeable Big Mouth | Flare/Inlet Only, <https://web.archive.org/web/20201126061651/https://www.velossatechdesign.com/products/generation-4-interchangeable-big-mouth-flare-inlet-only>, Nov. 26, 2020, 3 pgs. (resubmission).
 U.S. Non-Final Office Action dated Dec. 22, 2022 cited in U.S. Appl. No. 29/817,918, 21 pgs.
 U.S. Non-Final Office Action dated Dec. 22, 2022 cited in U.S. Appl. No. 29/817,920, 21 pgs.
 U.S. Non-Final Office Action dated Dec. 22, 2022 cited in U.S. Appl. No. 29/817,923, 23 pgs.
 U.S. Non-Final Office Action dated Dec. 22, 2022 cited in U.S. Appl. No. 29/817,926, 21 pgs.
 How to Install Big Mouth Ram Air Intake Ford Focus RS, <https://www.youtube.com/watch?v=bwPBelbTamY>. Blake's Garage, Accessed Jan. 3, 2023, published on May 30, 2017 (Intvw Summ dated Jan. 9, 2023).
 Ford Focus Big Mount Intake Snorkel Install!. <https://www.youtube.com/watch?v=0V3E-leEu4>. Cameron Alford. Accessed Jan. 3, 2023, published on Nov. 12, 2019 (Intvw Summ dtd 1.9.23) (00682.013).
 U.S. Non-Final Office Action dated Jan. 23, 2023 cited in U.S. Appl. No. 16/785,609, 41 pgs.
 U.S. Non-Final Office Action (Updated) dated Feb. 1, 2023 cited in U.S. Appl. No. 16/785,609, 34 pgs.

* cited by examiner

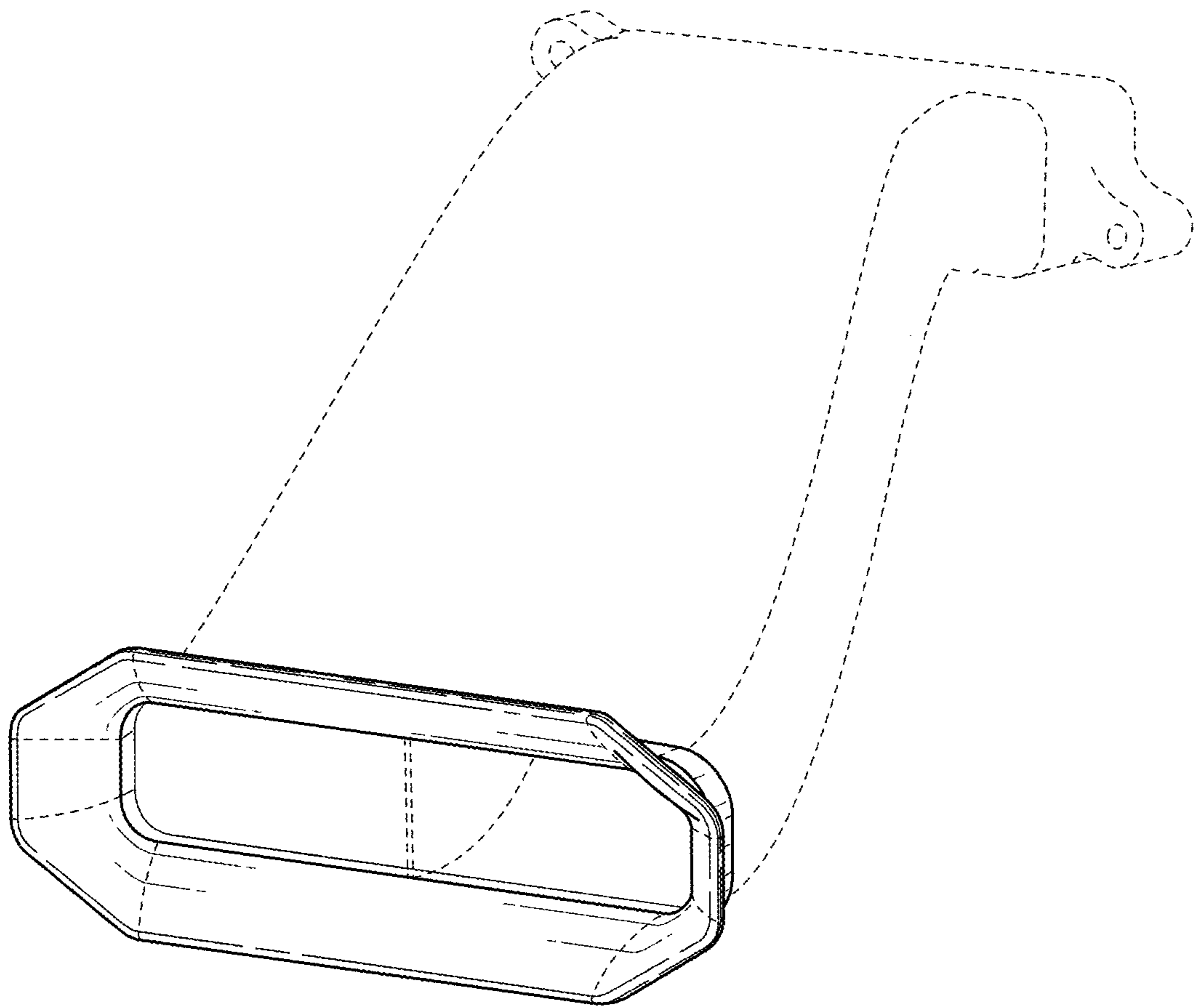


FIG. 1

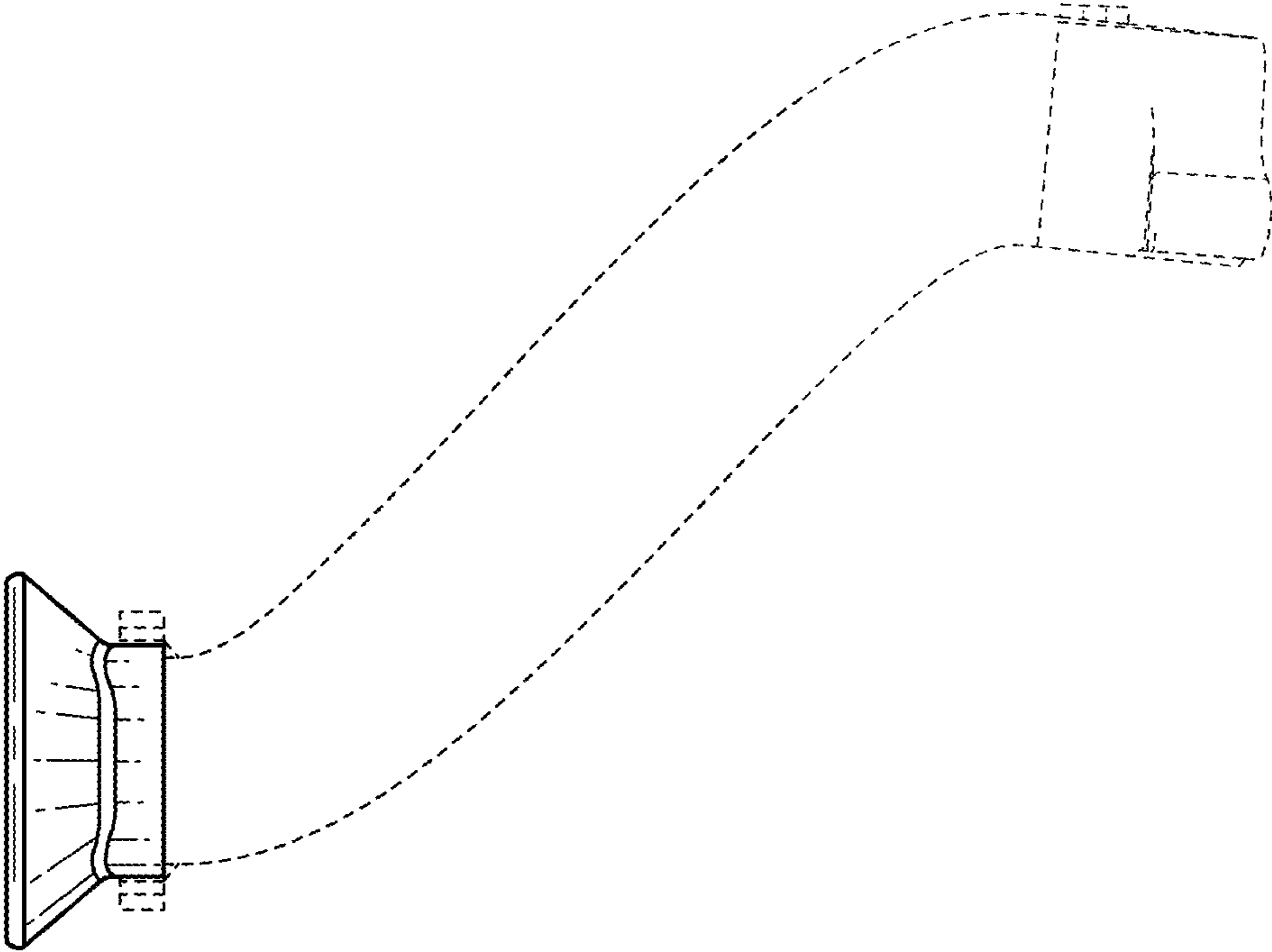


FIG. 2

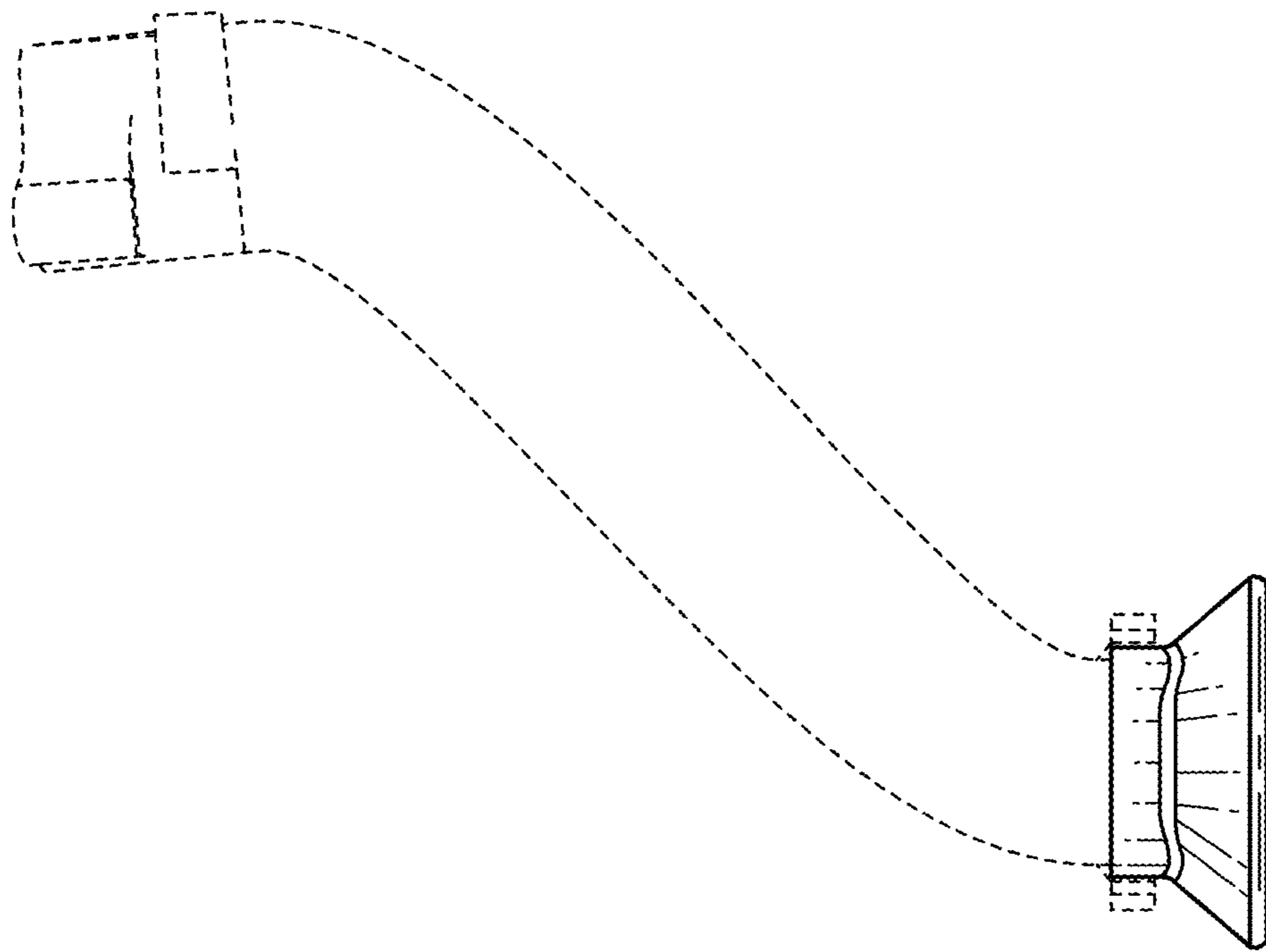


FIG. 3

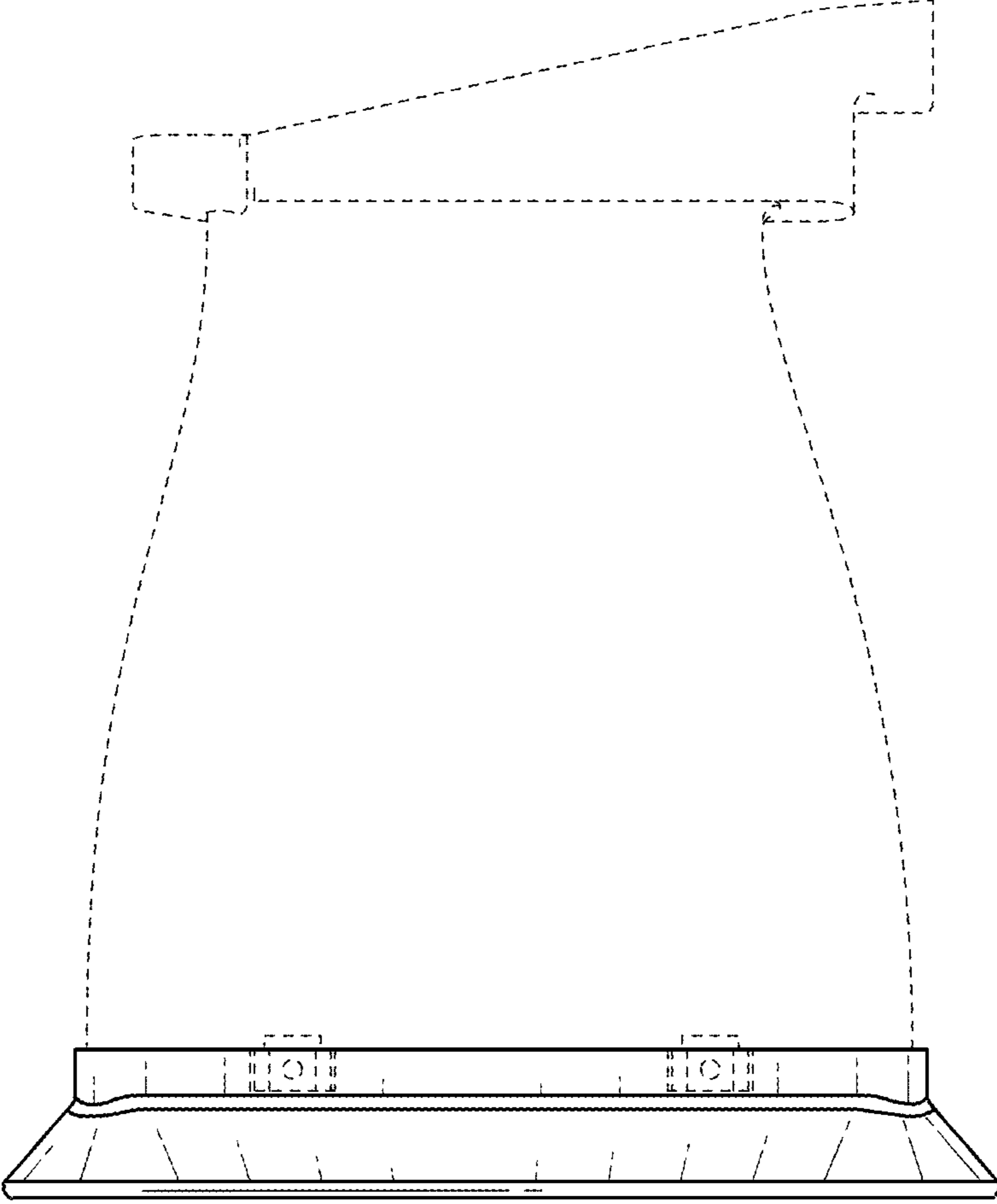


FIG. 4

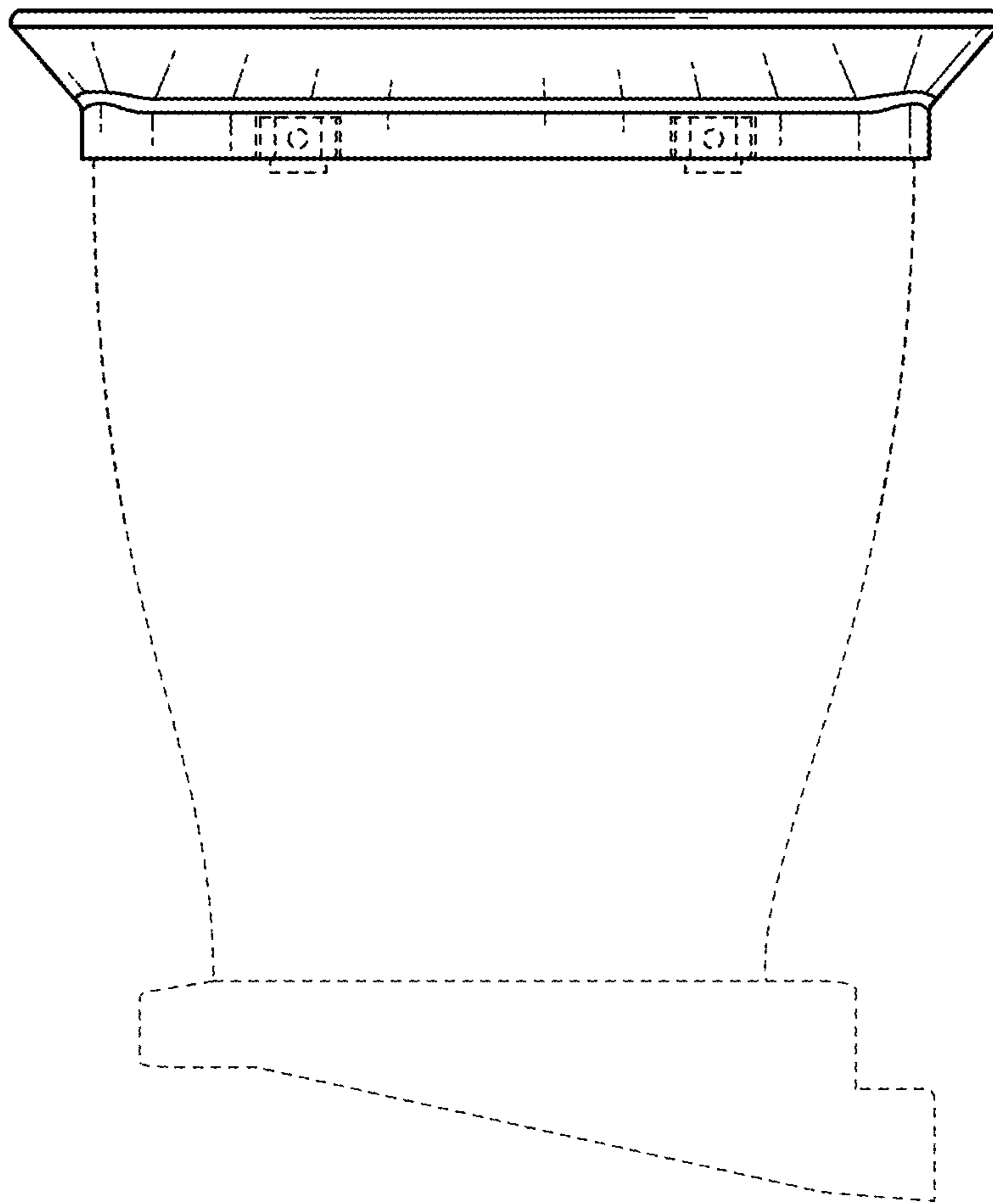


FIG. 5

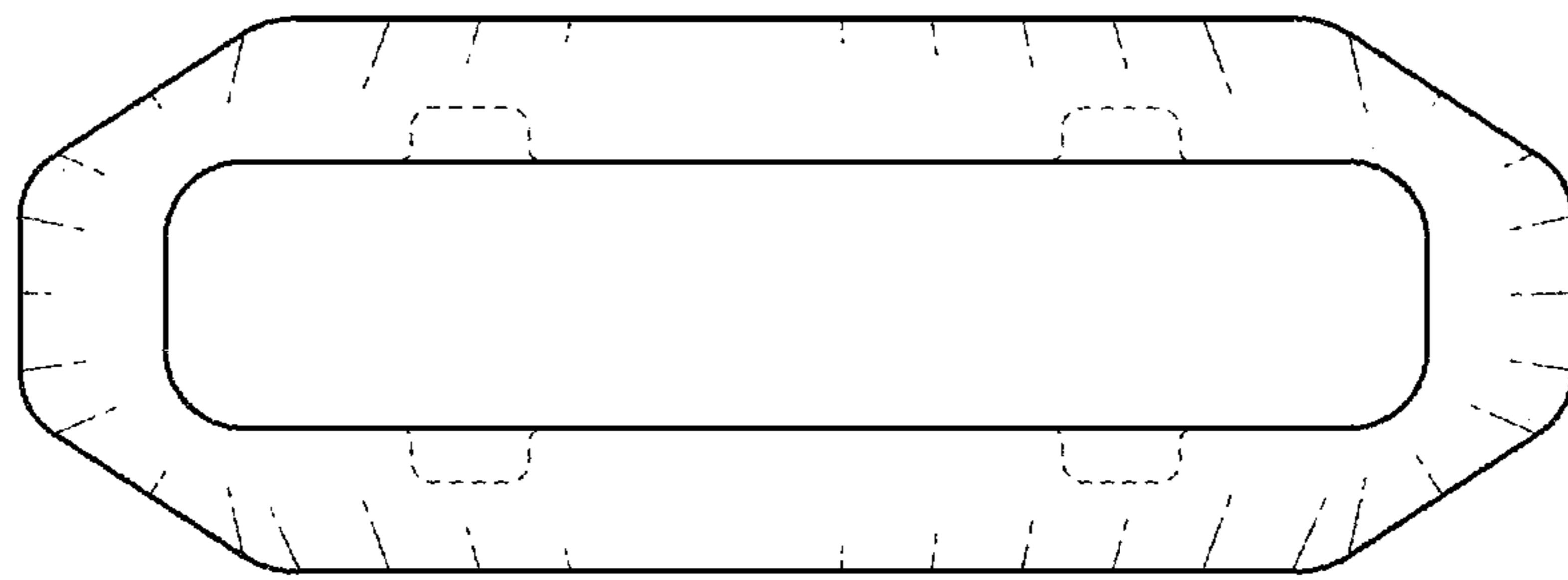


FIG. 6

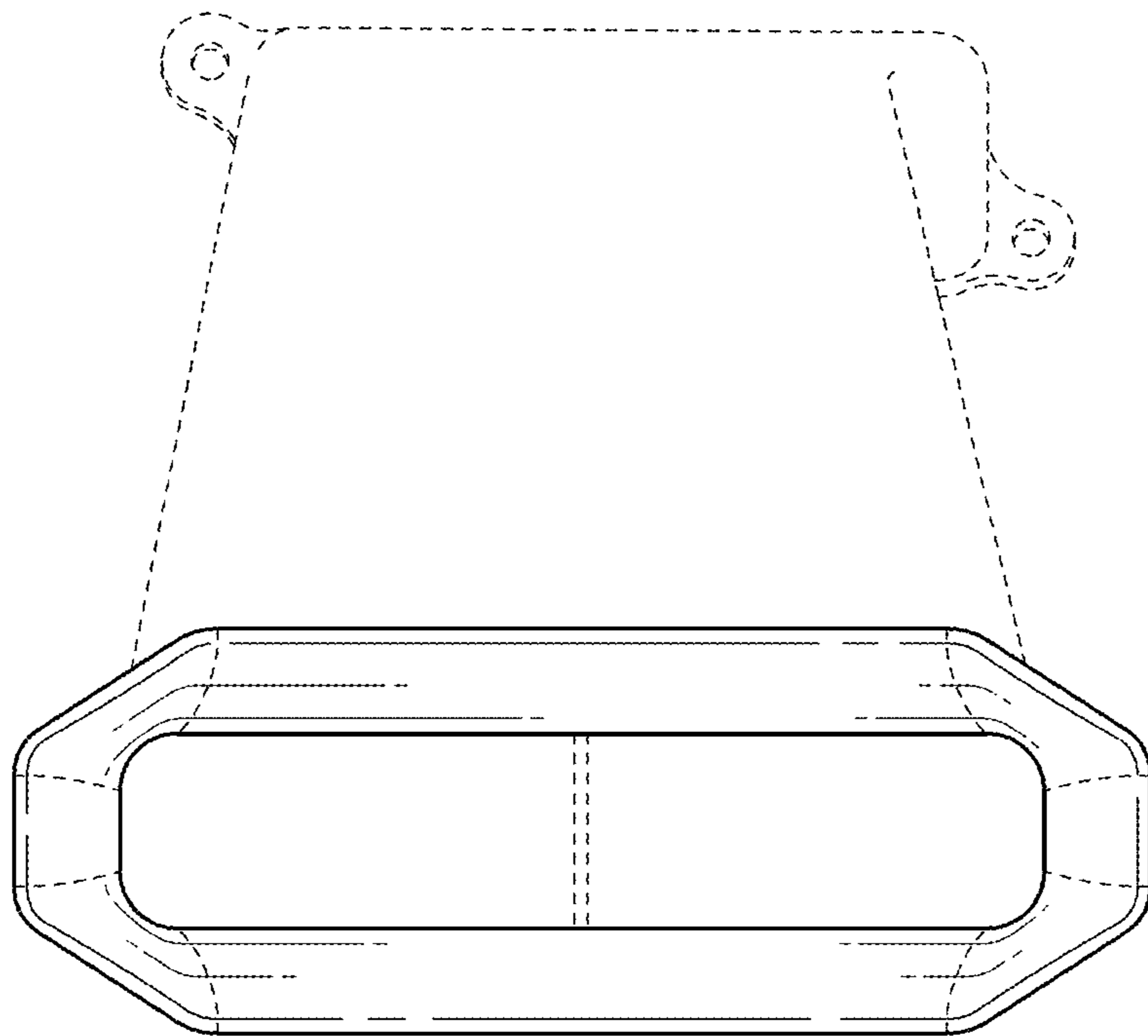


FIG. 7

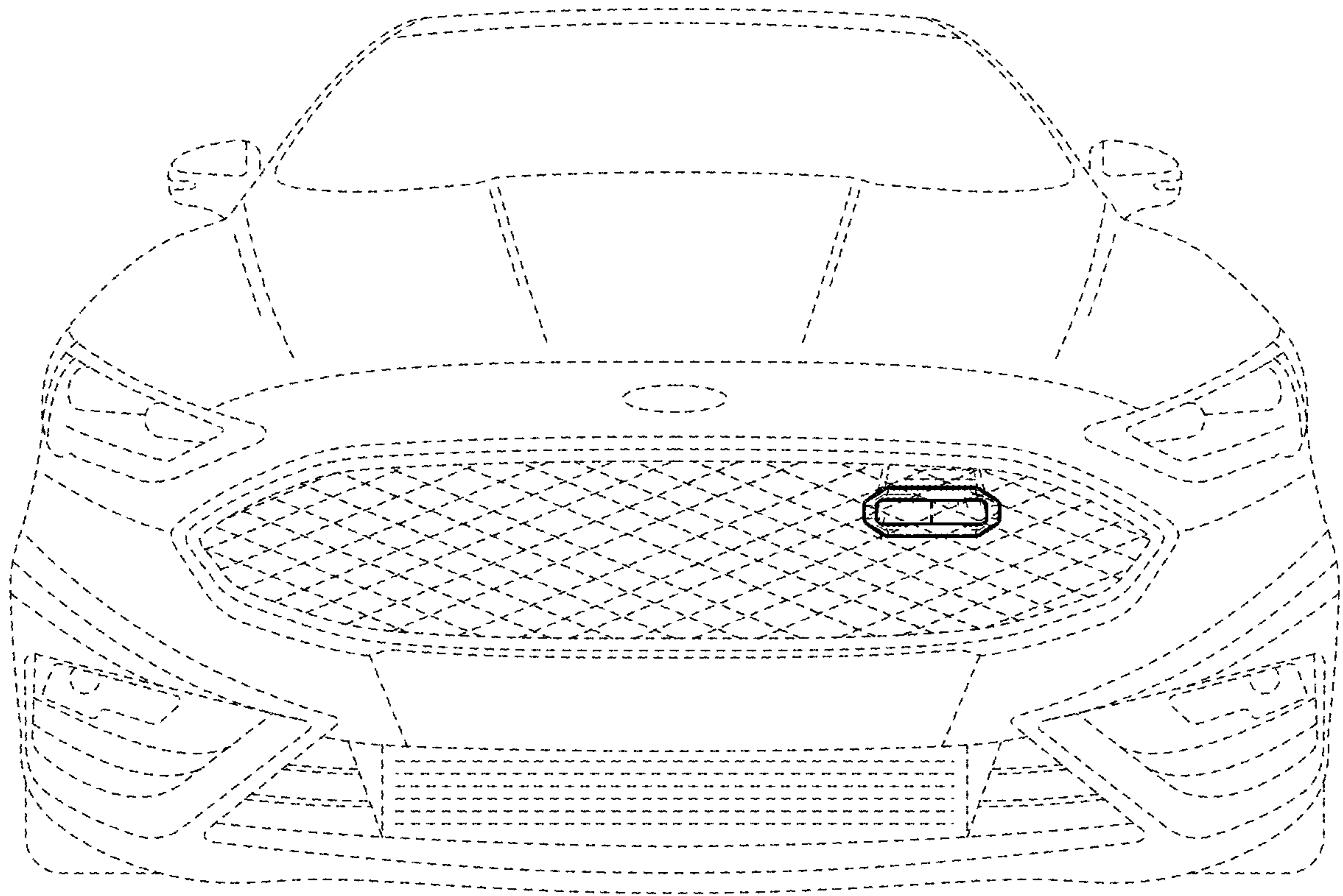


FIG. 8