



US0D1022987S

(12) **United States Design Patent** (10) **Patent No.:** **US D1,022,987 S**
Reimann et al. (45) **Date of Patent:** **** Apr. 16, 2024**

- (54) **WEARABLE ELECTRONIC DEVICE**
- (71) Applicant: **Google LLC**, Mountain View, CA (US)
- (72) Inventors: **Gina Reimann**, Los Gatos, CA (US);
Maj Isabelle Olsson, Sunnyvale, CA (US);
Julie Hong, Mountain View, CA (US);
Christoph Gredler, Mountain View, CA (US)
- (73) Assignee: **GOOGLE LLC**, Mountain View, CA (US)

- D341,326 S 11/1993 Rousseau
- D345,307 S 3/1994 Wada
- D374,828 S 10/1996 DeMatter, Jr.
- D387,691 S 12/1997 Navera
- D388,337 S 12/1997 Yudovin
- D390,148 S 2/1998 Brzezinski

(Continued)

FOREIGN PATENT DOCUMENTS

- CN 302923133 8/2014
- CN 203930356 U 11/2014

(Continued)

- (**) Term: **15 Years**
- (21) Appl. No.: **29/839,982**
- (22) Filed: **May 25, 2022**

Related U.S. Application Data

- (63) Continuation of application No. 29/810,360, filed on Oct. 4, 2021, which is a continuation-in-part of application No. 29/778,087, filed on Apr. 9, 2021.
- (51) **LOC (14) Cl.** **14-02**
- (52) **U.S. Cl.**
USPC **D14/344**
- (58) **Field of Classification Search**
USPC D10/30-39, 104.1, 104.2; D14/344;
D24/167, 186
CPC G04G 9/00; G04G 17/00; G04G 17/08;
G04G 21/02; G04G 21/025; A61B 5/681;
A44C 5/147
See application file for complete search history.

References Cited

U.S. PATENT DOCUMENTS

- 3,763,648 A 10/1973 Pakter
- D257,004 S 9/1980 Ohie
- D268,816 S 5/1983 Venker
- D302,130 S 7/1989 Muller
- D340,869 S 11/1993 Maruyama

OTHER PUBLICATIONS

O'Boyle; Britta, "Google Pixel Watch rumours, specs and news" Internet URL: <<https://www.pocket-lint.com/smartwatches/news/google/144921-google-pixel-watch-specs-release-date-news-and-features>> published May 15, 2022, 23 pages (Retrieved from the Internet May 24, 2022) 2022.

(Continued)

Primary Examiner — Katherine Glennon

(74) *Attorney, Agent, or Firm* — LEASON ELLIS LLP

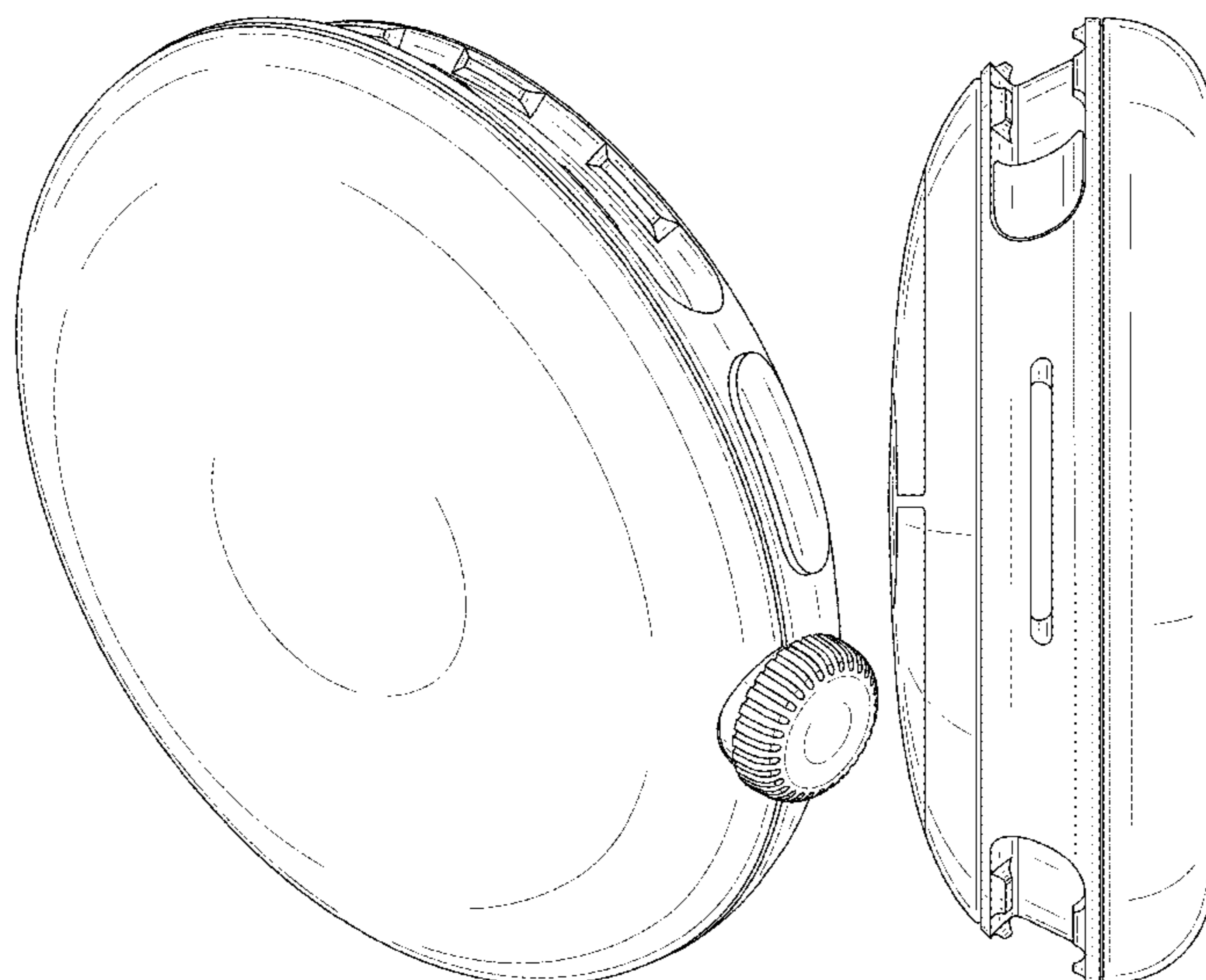
(57) **CLAIM**

The ornamental design for a wearable electronic device, as shown and described.

DESCRIPTION

FIG. 1 is a front perspective view of a wearable electronic device according to our new design; FIG. 2 is a rear perspective view thereof; FIG. 3 is a front view thereof; FIG. 4 is a back view thereof; FIG. 5 is a top plan view thereof; FIG. 6 is a bottom plan view thereof; FIG. 7 is a right side view thereof; and, FIG. 8 is a left side view thereof.

1 Claim, 6 Drawing Sheets



(56)

References Cited

U.S. PATENT DOCUMENTS

D391,873 S 3/1998 Perrin
 D398,544 S 9/1998 Lai
 D417,236 S 11/1999 Burrus
 D433,949 S 11/2000 Helleu
 D481,960 S 11/2003 Laucella
 D486,744 S 2/2004 Houlihan
 D489,997 S 5/2004 Houlihan
 D493,373 S 7/2004 Sun
 D495,962 S 9/2004 Oshita
 D503,347 S 3/2005 Houlihan
 D506,683 S 6/2005 Houlihan
 7,385,874 B2 6/2008 Vuilleumier
 D572,610 S 7/2008 Colombo
 D613,737 S * 4/2010 Ahlstrom D14/344
 7,778,115 B2 8/2010 Ruchonnet
 D672,256 S 12/2012 Behar
 D679,618 S * 4/2013 Dumas D10/104.2
 9,172,148 B2 10/2015 Lyons
 D750,068 S 2/2016 Aumiller
 D755,178 S 5/2016 Solomon
 D762,128 S 7/2016 Michele
 D766,740 S 9/2016 Voirin
 D768,623 S * 10/2016 Zou D10/70
 D792,244 S 7/2017 Schaad
 D799,986 S 10/2017 Monachon
 D816,524 S 5/2018 Akana
 D817,793 S 5/2018 Vu
 D818,853 S 5/2018 Golnik
 D826,748 S * 8/2018 Kim D10/70
 D827,831 S 9/2018 Fong
 D828,351 S * 9/2018 Xie D14/344
 D832,721 S 11/2018 Nussbaumer
 D834,430 S 11/2018 Schaad
 D834,981 S * 12/2018 Grois D14/344
 10,146,188 B2 12/2018 Katzer
 D838,854 S 1/2019 Lumme
 D838,855 S 1/2019 Lumme
 D853,861 S 7/2019 Husslein
 D855,813 S * 8/2019 Hu D10/70
 D865,543 S 11/2019 Lumme
 D867,166 S 11/2019 Cabral
 D868,599 S 12/2019 Cabral
 D868,778 S * 12/2019 Reivo D14/344
 D869,964 S 12/2019 Stern
 D875,555 S 2/2020 Komulainen
 D890,752 S * 7/2020 Huang D14/300
 D900,808 S * 11/2020 Vandenbussche D14/344
 D914,304 S * 3/2021 Darnell D30/160

D916,601 S 4/2021 Ylikörkkö
 10,987,054 B2 4/2021 Pandya
 D920,136 S 5/2021 Candamil
 D928,150 S * 8/2021 Maruyama D21/333
 11,079,721 B2 8/2021 Lin
 11,209,782 B2 12/2021 Jones
 D962,929 S * 9/2022 He D10/70
 D981,400 S * 3/2023 King D14/344
 2012/0120567 A1 * 5/2012 Hsieh G04G 17/045
 361/679.01
 2019/0072910 A1 3/2019 Ghassabian
 2020/0383434 A1 * 12/2020 Chung A44C 5/0053
 2021/0177107 A1 * 6/2021 Cazalet A44C 5/14
 2021/0353226 A1 11/2021 Hiemstra
 2023/0119270 A1 * 4/2023 Cazalet A44C 5/147
 368/282

FOREIGN PATENT DOCUMENTS

CN 303626960 3/2016
 CN 303927926 11/2016
 CN 304605047 5/2018
 CN 305016995 1/2019
 CN 306051711 9/2020
 CN 306139207 10/2020
 JP D1421738 8/2011
 KR 3008005500000 6/2015
 KR 3009963840000 3/2019
 KR 3009963860000 3/2019
 KR 3010642890000 6/2020
 KR 3010678630000 7/2020
 KR 3010757030000 9/2020
 WO D070462005 1/2009
 WO D100714001 9/2018

OTHER PUBLICATIONS

Haslam; Karen, "Will there be a round Apple Watch?" Internet URL: <<https://www.macworld.co.uk/news/round-apple-watch-3803154/>> published May 26, 2021 , 6 pages (Retrieved from the Internet May 24, 2022) 2022.
 Amazon Samsung Store, "Samsung Galaxy Watch Active2 (Silicon Strap + Aluminum Bezel) Bluetooth—International (Aqua Black, R820-44mm)" Internet URL: <<https://www.amazon.com/dp/B07YNV6HGF?tag=georiot-us-default-20&th=1&psc=1&ascsubtag=trd-us-1926975514367412500-20&geniuslink=true>, Date First Available: Oct. 3, 2019, 11 pages (Retrieved from the Internet May 24, 2022) 2022.

* cited by examiner

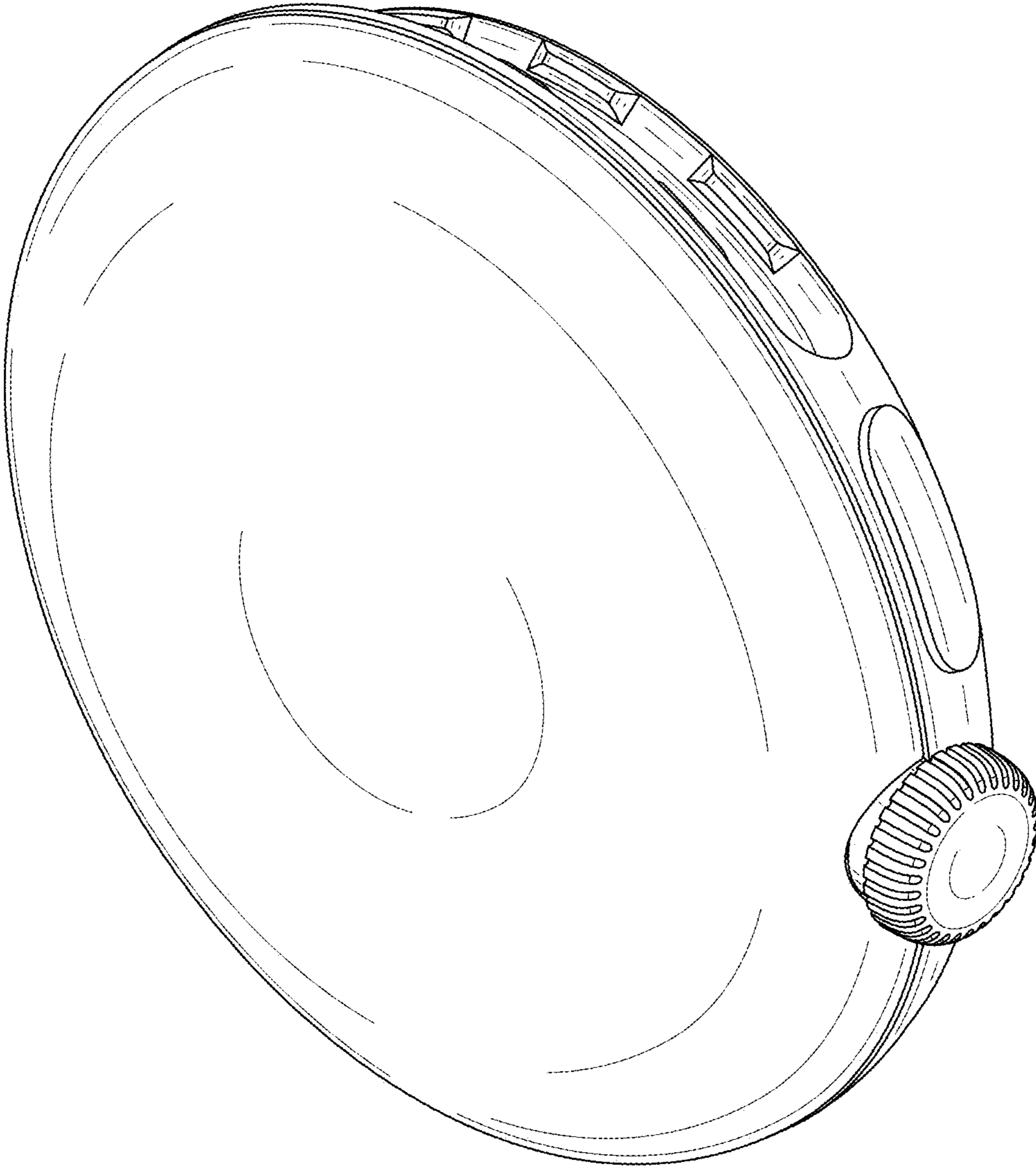


FIG. 1

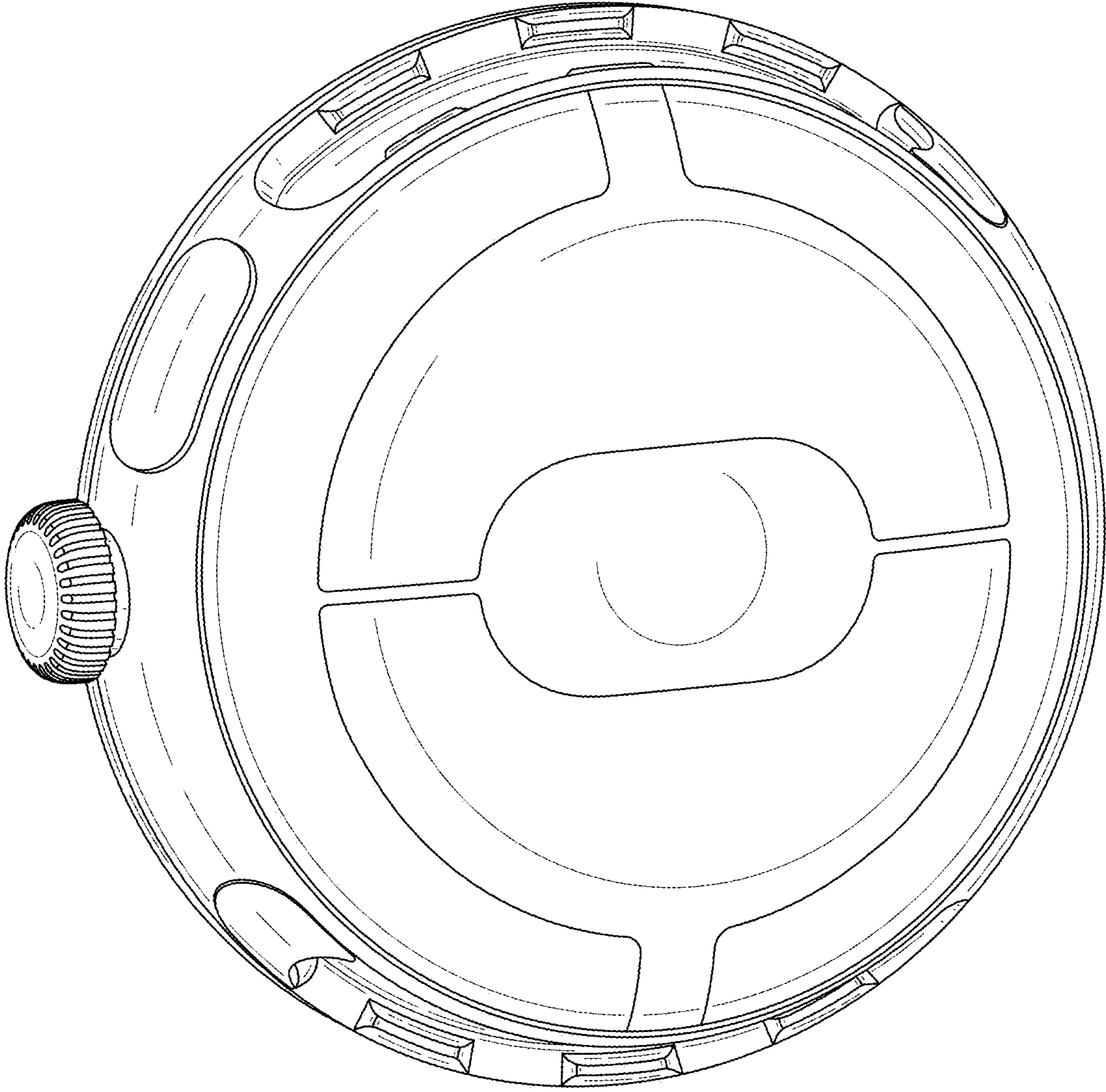


FIG. 2

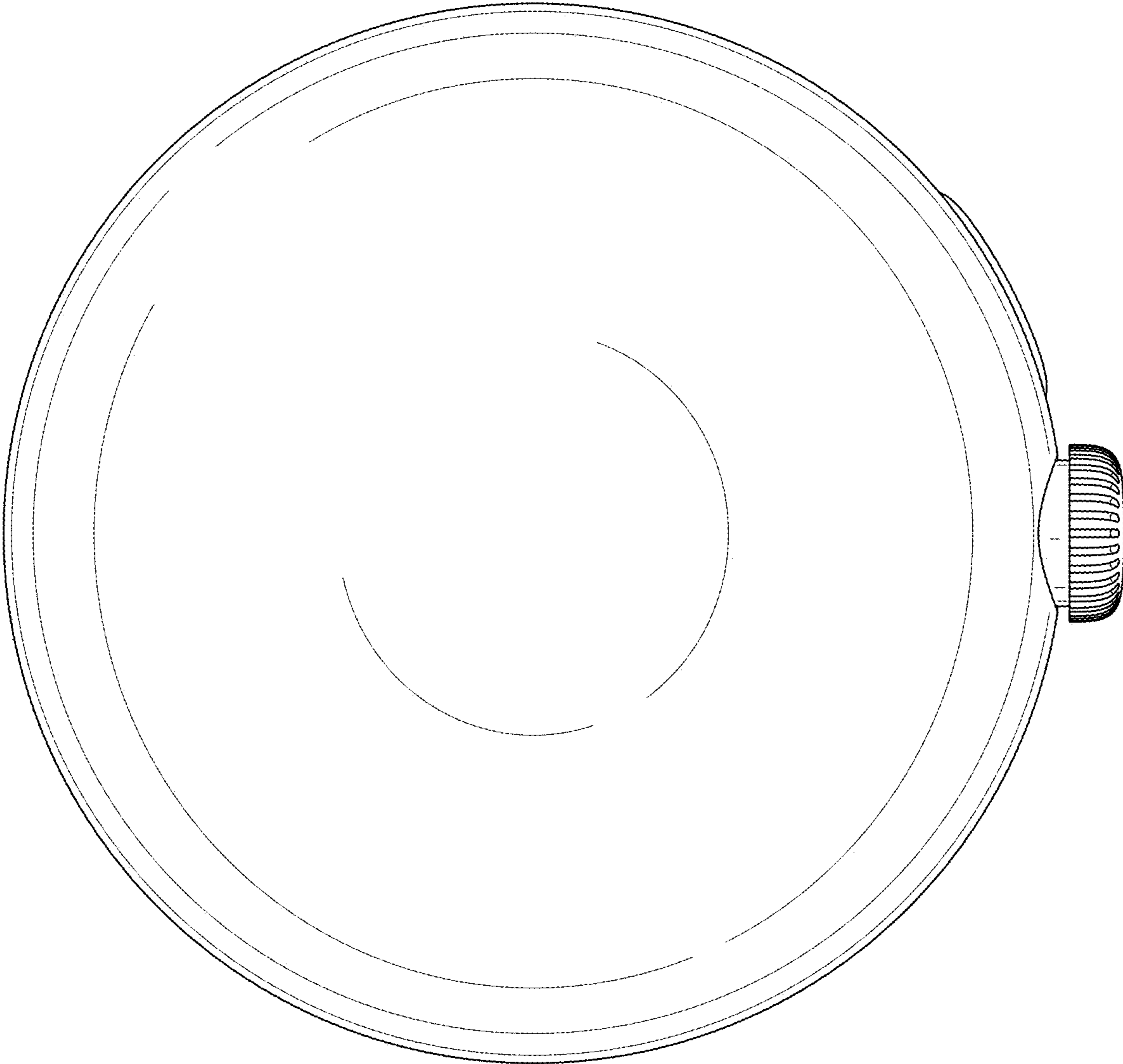


FIG. 3

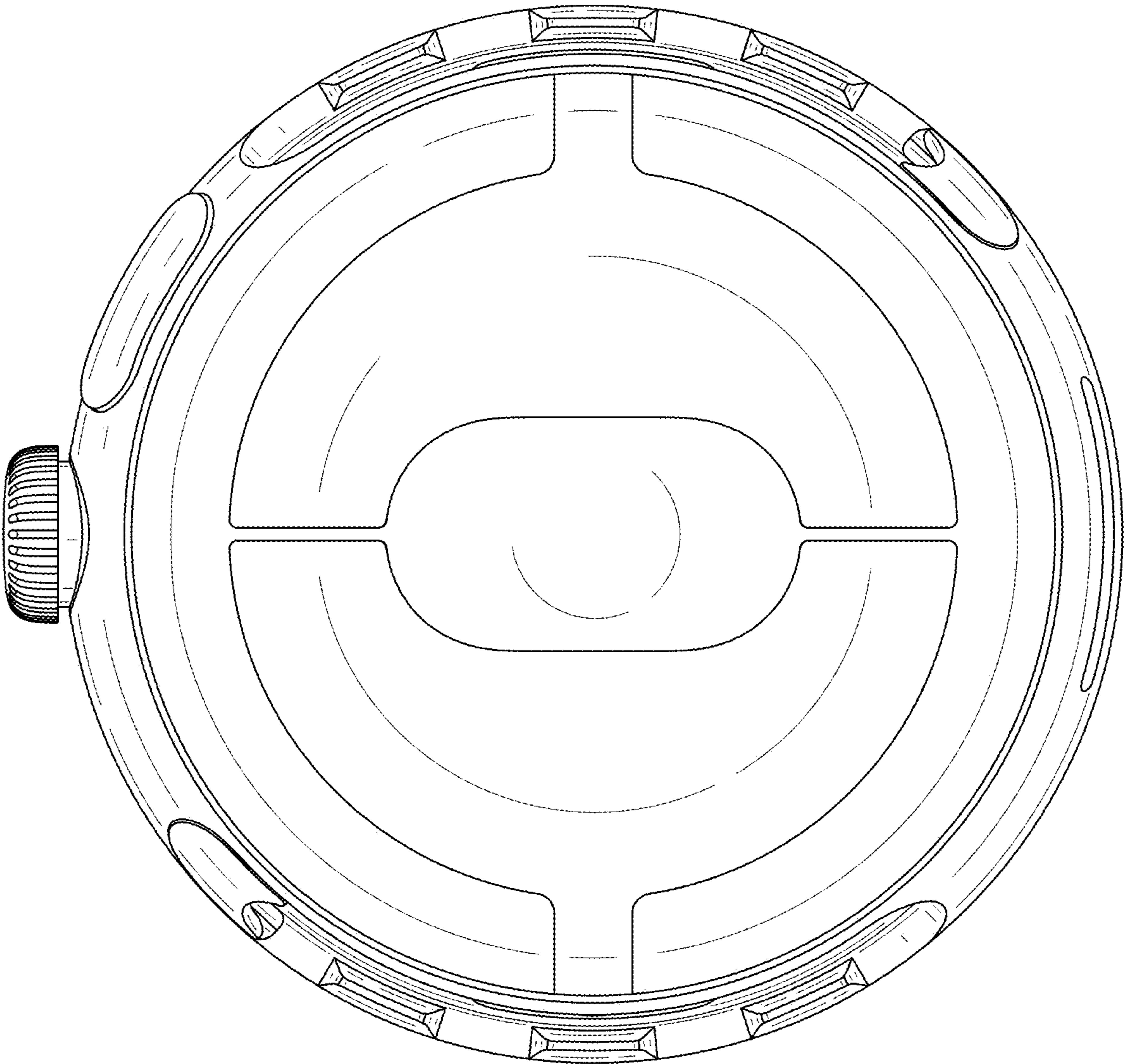


FIG. 4

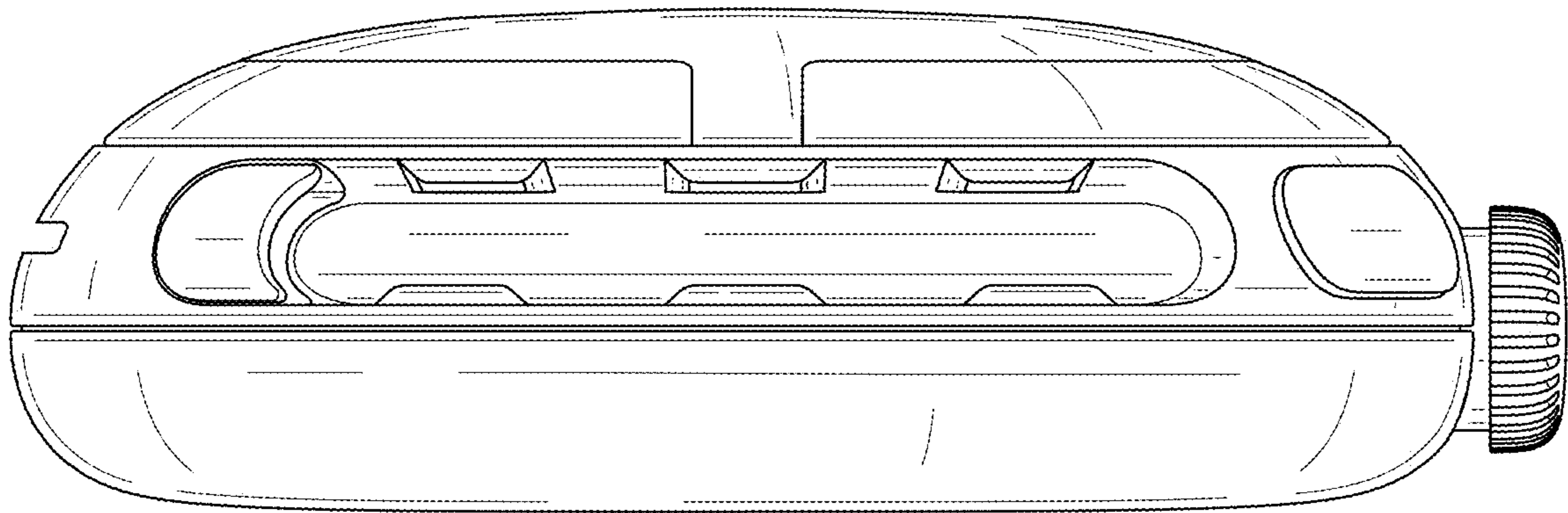


FIG. 5

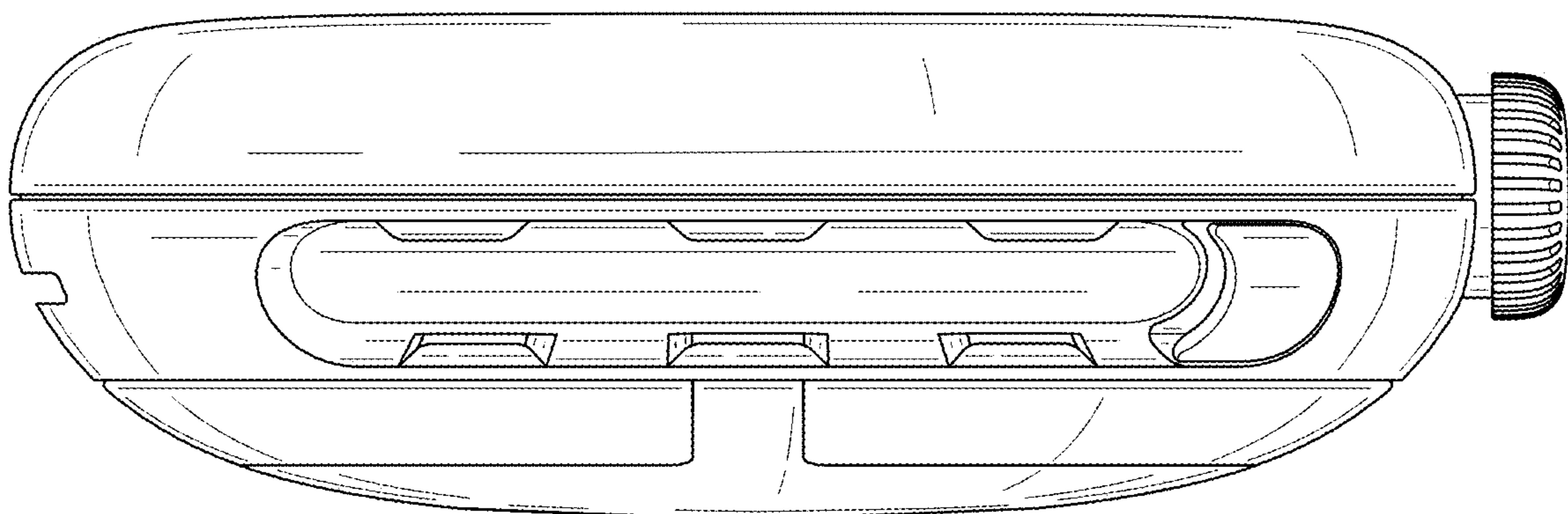


FIG. 6

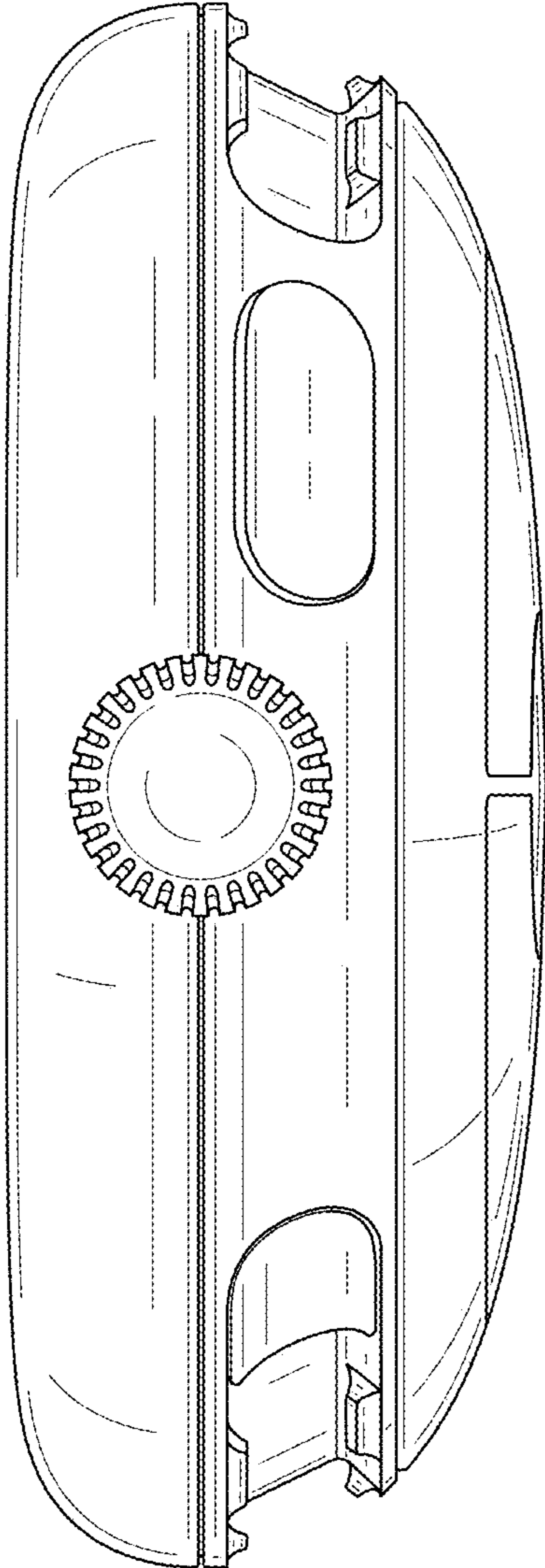


FIG. 7

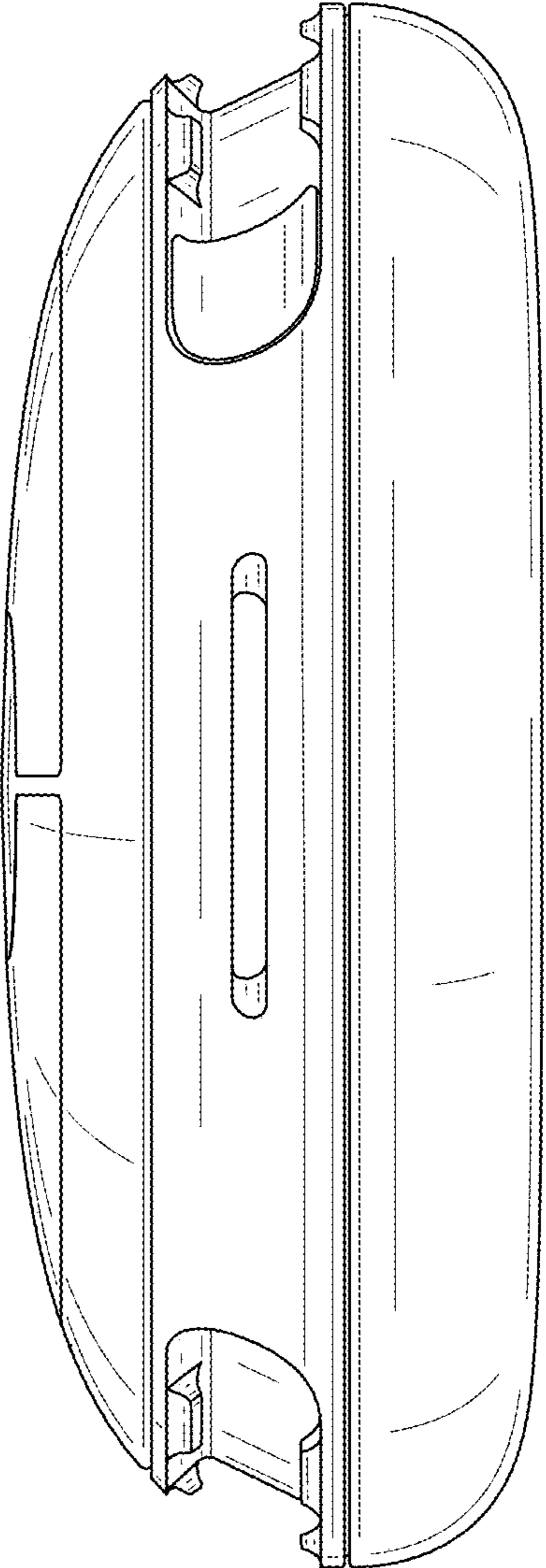


FIG. 8