



US0D1022940S

(12) **United States Design Patent**
Huang et al.

(10) **Patent No.: US D1,022,940 S**
(45) **Date of Patent: ** Apr. 16, 2024**

(54) **TELEVISION APPARATUS**
(71) Applicant: **SHENZHEN TCL DIGITAL TECHNOLOGY LTD.**, Shenzhen (CN)
(72) Inventors: **Zhonghao Huang**, Shenzhen (CN); **Yukun Zhang**, Shenzhen (CN); **Hairong Lu**, Shenzhen (CN); **Chunhua Yu**, Shenzhen (CN)
(73) Assignee: **SHENZHEN TCL DIGITAL TECHNOLOGY LTD.**, Shenzhen (CN)

D846,519 S * 4/2019 McManigal D14/126
D864,136 S * 10/2019 Kim D14/126
D873,229 S * 1/2020 Yokota D14/126
D888,002 S * 6/2020 Tsujita D14/126
D956,009 S * 6/2022 Lee D14/126
D960,888 S * 8/2022 You D14/374

(**) Term: **15 Years**

(21) Appl. No.: **35/514,343**

(22) Filed: **May 5, 2022**

(80) **Hague Agreement Data**

Int. Filing Date: **May 5, 2022**
Int. Reg. No.: **DM/220757**
Int. Reg. Date: **May 5, 2022**
Int. Reg. Pub. Date: **May 20, 2022**

(30) **Foreign Application Priority Data**

Dec. 9, 2021 (CN) 202130815516.2

(51) **LOC (14) Cl.** **14-02**

(52) **U.S. Cl.**
USPC **D14/126**

(58) **Field of Classification Search**
USPC ... D14/125, 126, 127, 128, 129, 132, 203.3, D14/203.7, 239, 300, 308, 310, 336, 341, D14/371
CPC G06F 1/1601; G06F 1/1605; G06F 1/162
See application file for complete search history.

(56) **References Cited**

U.S. PATENT DOCUMENTS

D752,586 S * 3/2016 Lee D14/374
D766,899 S * 9/2016 Kim D14/374

OTHER PUBLICATIONS

Amazon.com_TCL 75_Class 6-Series 4K Mini-LED, first available Sep. 1, 2022 [online], retrieved Jan. 11, 2023, available at URL: <https://a.co/d/eomaGKu> (Year: 2022).*

* cited by examiner

Primary Examiner — Bao-Yen T Nguyen

Assistant Examiner — Carrie S Gelula

(74) *Attorney, Agent, or Firm* — PV IP PC; Wei Te Chung; Zhigang Ma

(57) **CLAIM**

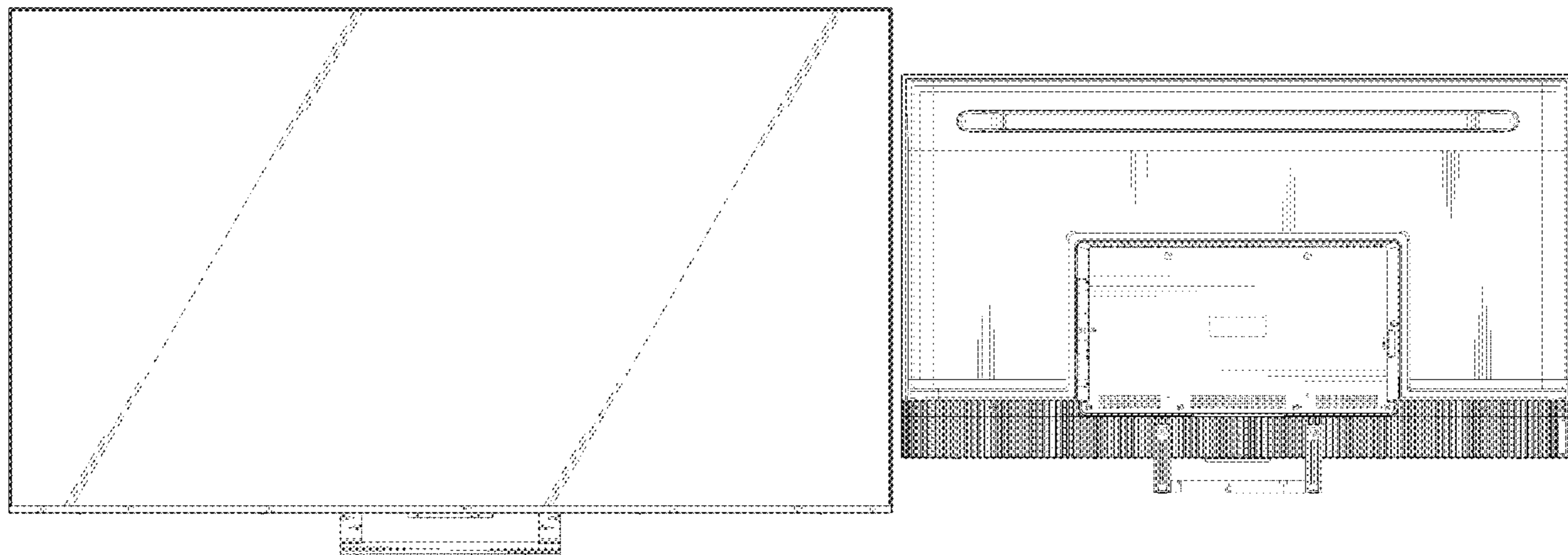
The ornamental design for a television apparatus, as shown and described.

DESCRIPTION

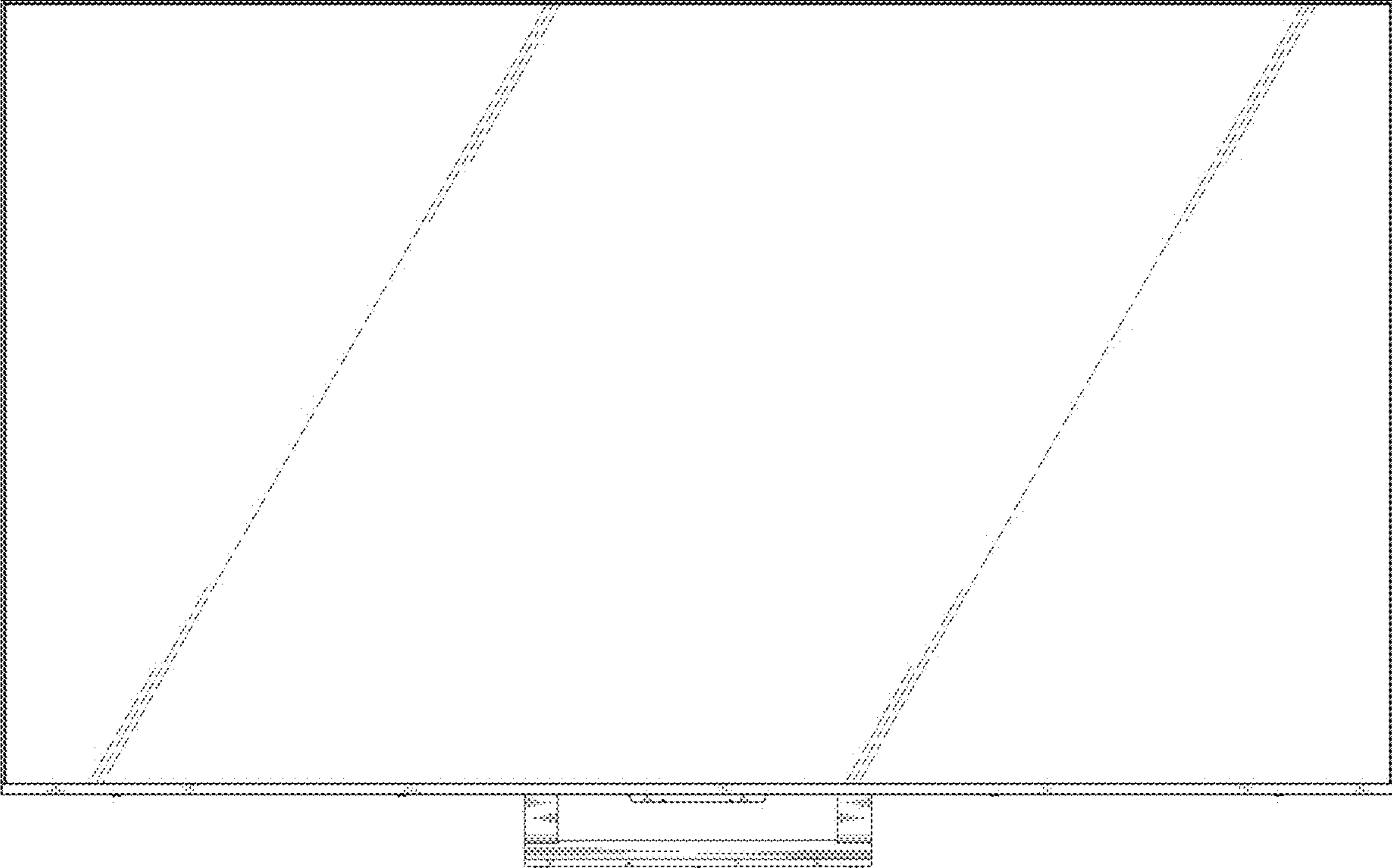
- 1. Television apparatus
- 1.1: Front
- 1.2: Back
- 1.3: Left
- 1.4: Right
- 1.5: Top
- 1.6: Bottom
- 1.7: Perspective
- 1.8: Partial Enlarged

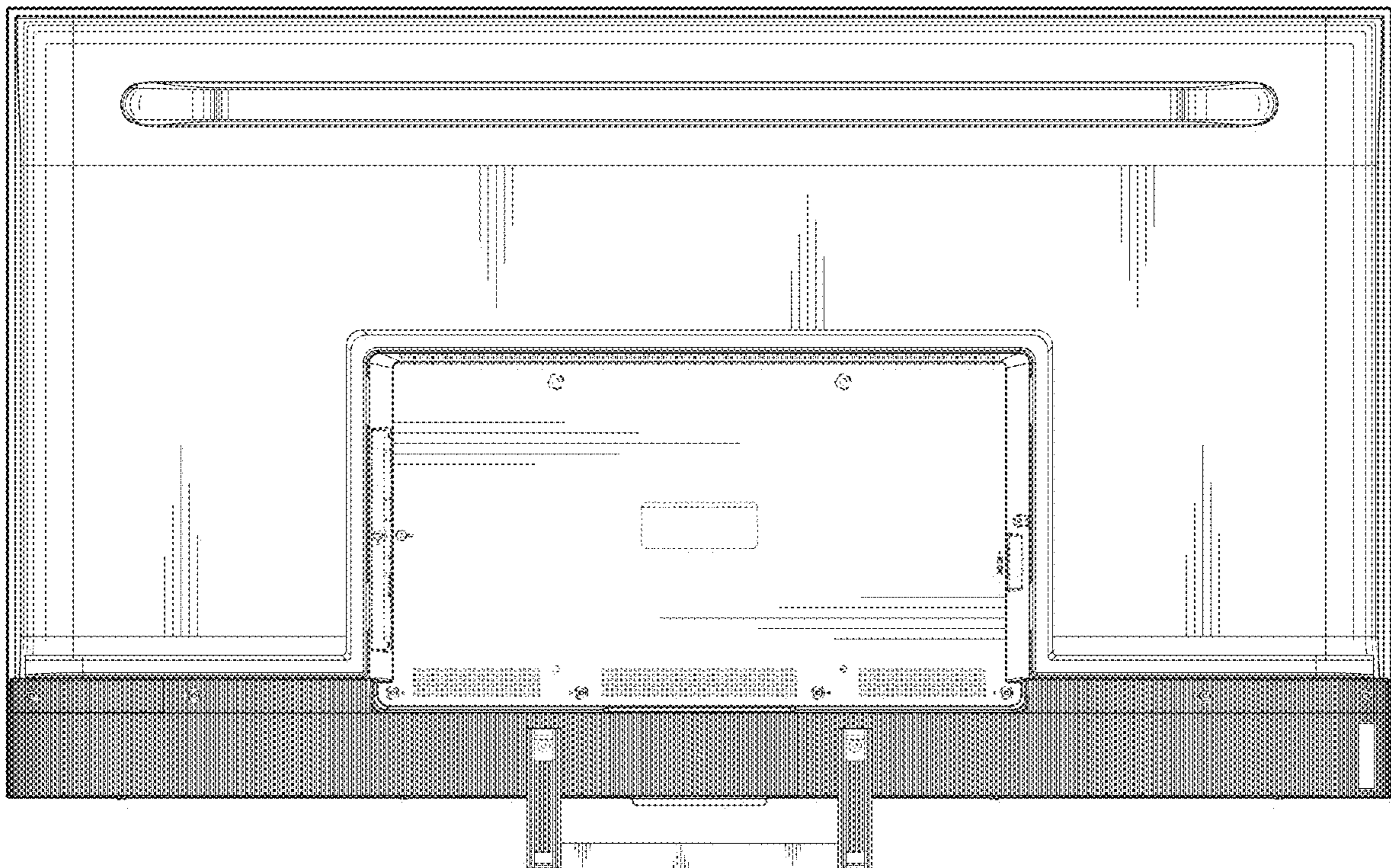
The broken lines in the drawings are for the purpose of illustrating portions of the television apparatus that form no part of the claimed design.

1 Claim, 8 Drawing Sheets

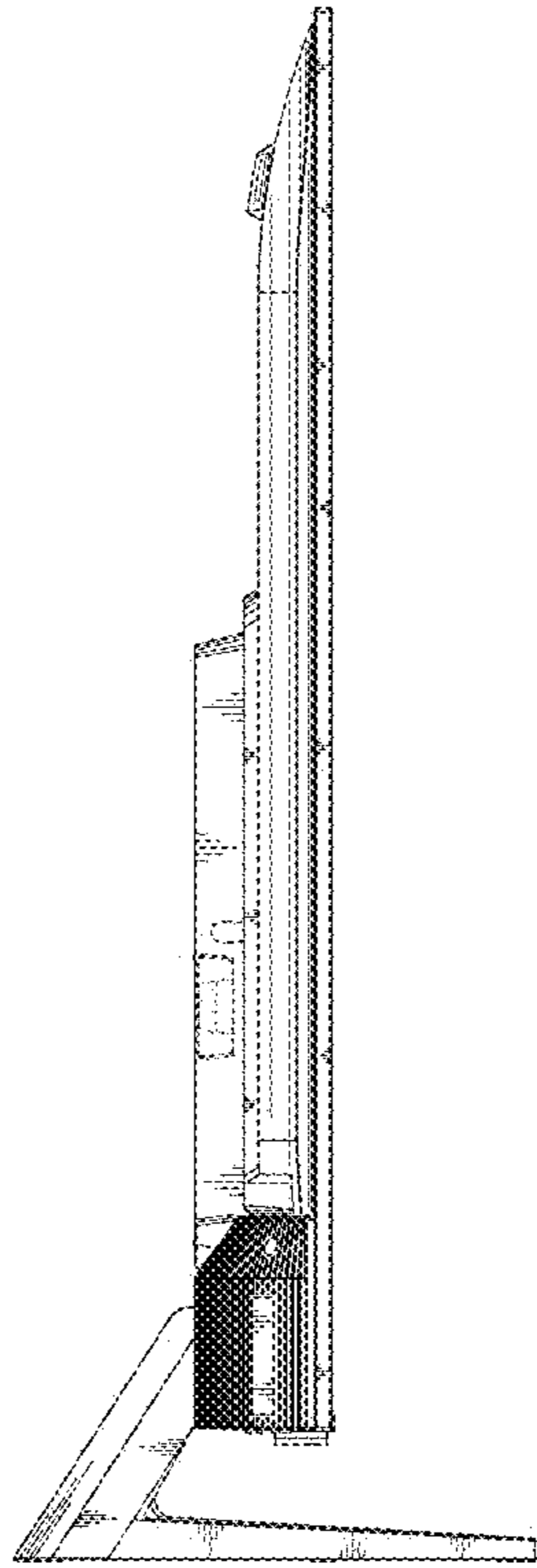


1.1

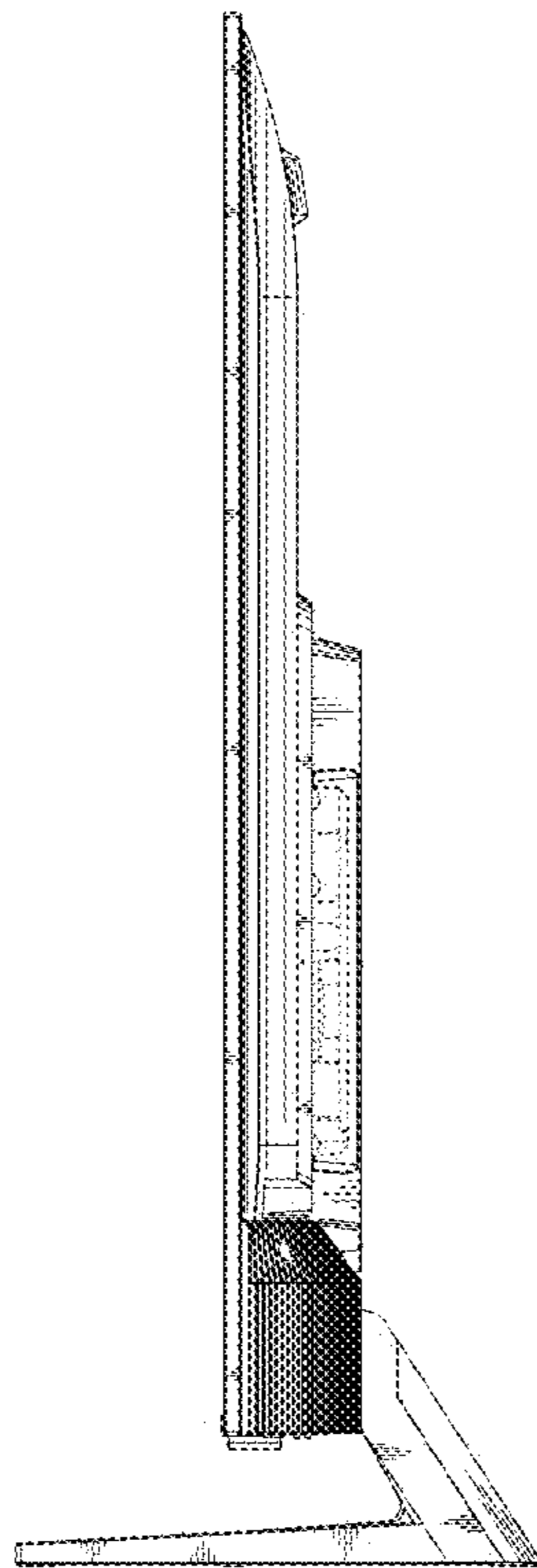




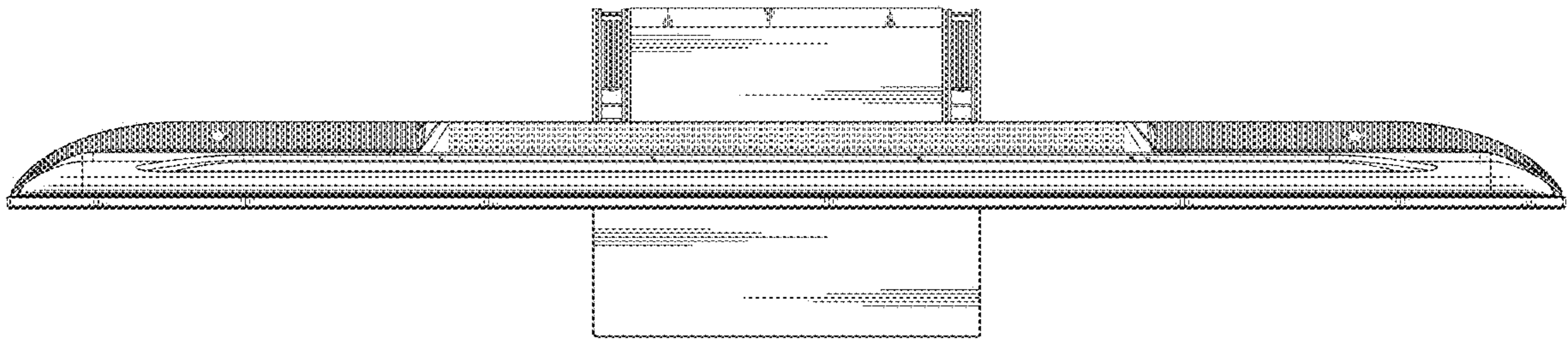
1.2



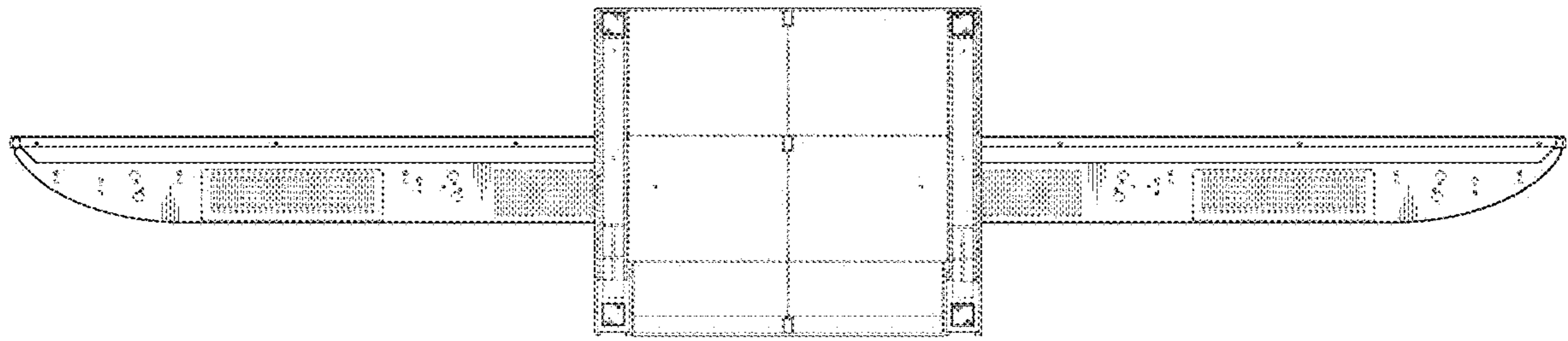
1.3



1.4

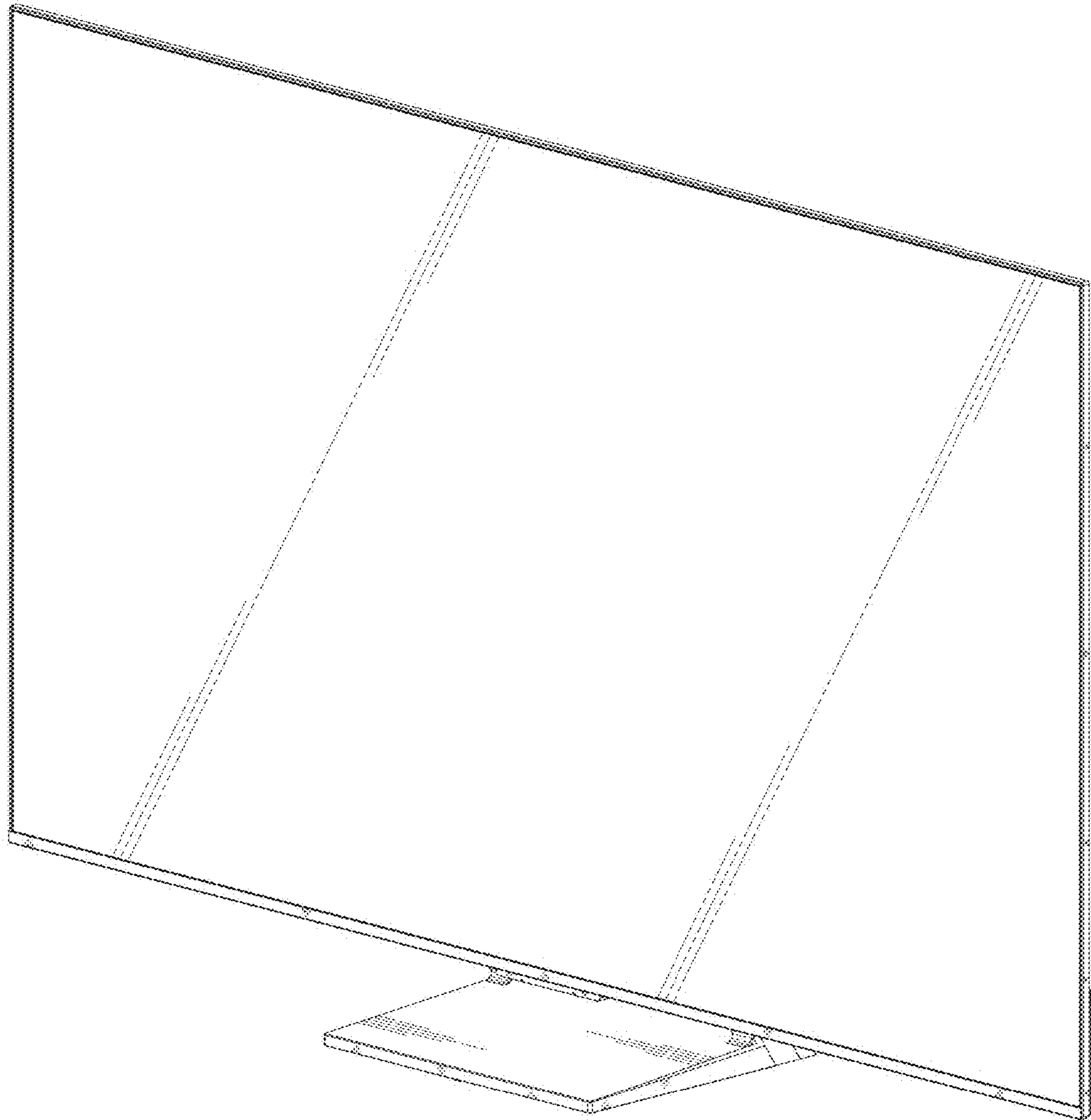


1.5



1.6

1.7



1.8

