

US0D1022927S

(12) **United States Design Patent** (10) **Patent No.:** **US D1,022,927 S**
Cho (45) **Date of Patent:** **** Apr. 16, 2024**

(54) **REMOTE TERMINAL UNIT FOR SWITCHBOARD**
(71) Applicant: **LS ELECTRIC CO., LTD.**, Anyang-Si (KR)
(72) Inventor: **Euihyun Cho**, Anyang-si Gyeonggi-do (KR)
(73) Assignee: **LS ELECTRIC CO., LTD.**, Anyang-si (KR)
(**) Term: **15 Years**

(21) Appl. No.: **29/843,792**
(22) Filed: **Jun. 23, 2022**

(30) **Foreign Application Priority Data**

Dec. 23, 2021 (KR) 30-2021-0062063

(51) **LOC (14) Cl.** **13-03**

(52) **U.S. Cl.**
USPC **D13/162; D13/162.1**

(58) **Field of Classification Search**
USPC D13/110, 123, 158, 162, 162.1, 184
CPC G05B 9/02; G05B 19/05; G05B 19/054;
G05B 19/056; G06F 1/182; G06F 1/183;
H05K 7/1432; H05K 7/14327; H05K
7/1462; H05K 7/1467; H05K 7/1474
See application file for complete search history.

(56) **References Cited**

U.S. PATENT DOCUMENTS

D302,972 S * 8/1989 Boucher D13/162.1
D329,843 S * 9/1992 Ishida D13/162

D333,813 S * 3/1993 Ishida D13/162
D456,782 S * 5/2002 Nagai D13/162
D609,195 S * 2/2010 Yamashita D13/162
D684,956 S * 6/2013 Deck D13/110
D685,354 S * 7/2013 Deck D13/110
D724,546 S * 3/2015 Liu D13/162
D772,173 S * 11/2016 Takano D13/162
D774,004 S * 12/2016 Liu D13/162
D806,828 S * 1/2018 Toshida D23/207
D811,332 S * 2/2018 Siddiqui D13/162
D956,000 S * 6/2022 Kato D13/162.1
2017/0031340 A1 * 2/2017 Kobayashi G05B 9/02
2020/0259998 A1 * 8/2020 Tsujikawa G05B 19/05

* cited by examiner

Primary Examiner — Selina Sikder

(74) *Attorney, Agent, or Firm* — K&L Gates LLP

(57) **CLAIM**

The ornamental design for a remote terminal unit for switchboard, as shown and described herein.

DESCRIPTION

FIG. 1 is a top, front, right-side perspective view of a remote terminal unit for switchboard showing the new design; FIG. 2 is a top, rear, left-side perspective view thereof; FIG. 3 is a front elevation view thereof; FIG. 4 is a rear elevation view thereof; FIG. 5 is a left-side elevation view thereof; FIG. 6 is a right-side elevation view thereof; FIG. 7 is a top plan view thereof; and, FIG. 8 is a bottom plan view thereof.

1 Claim, 8 Drawing Sheets

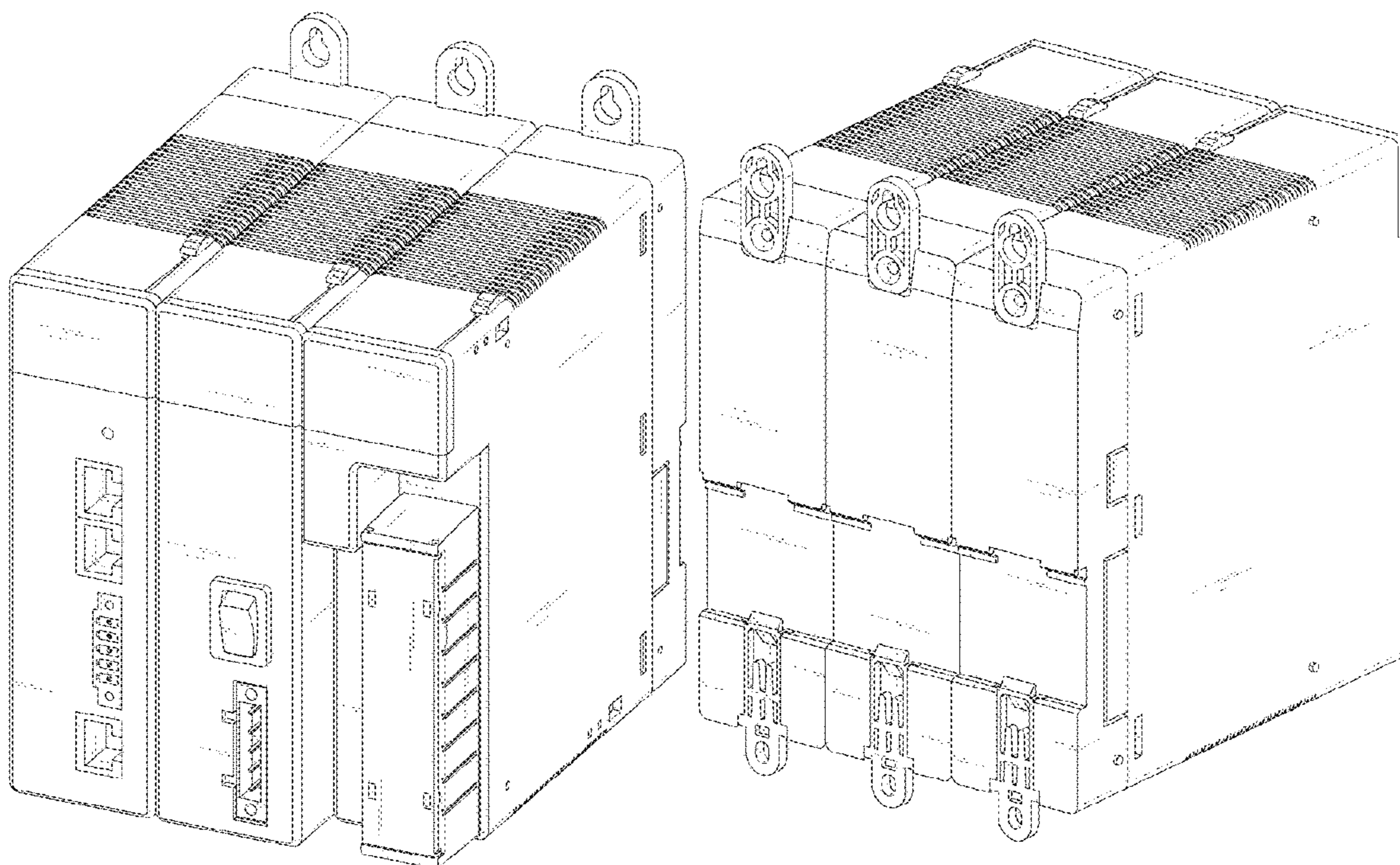


FIG. 1

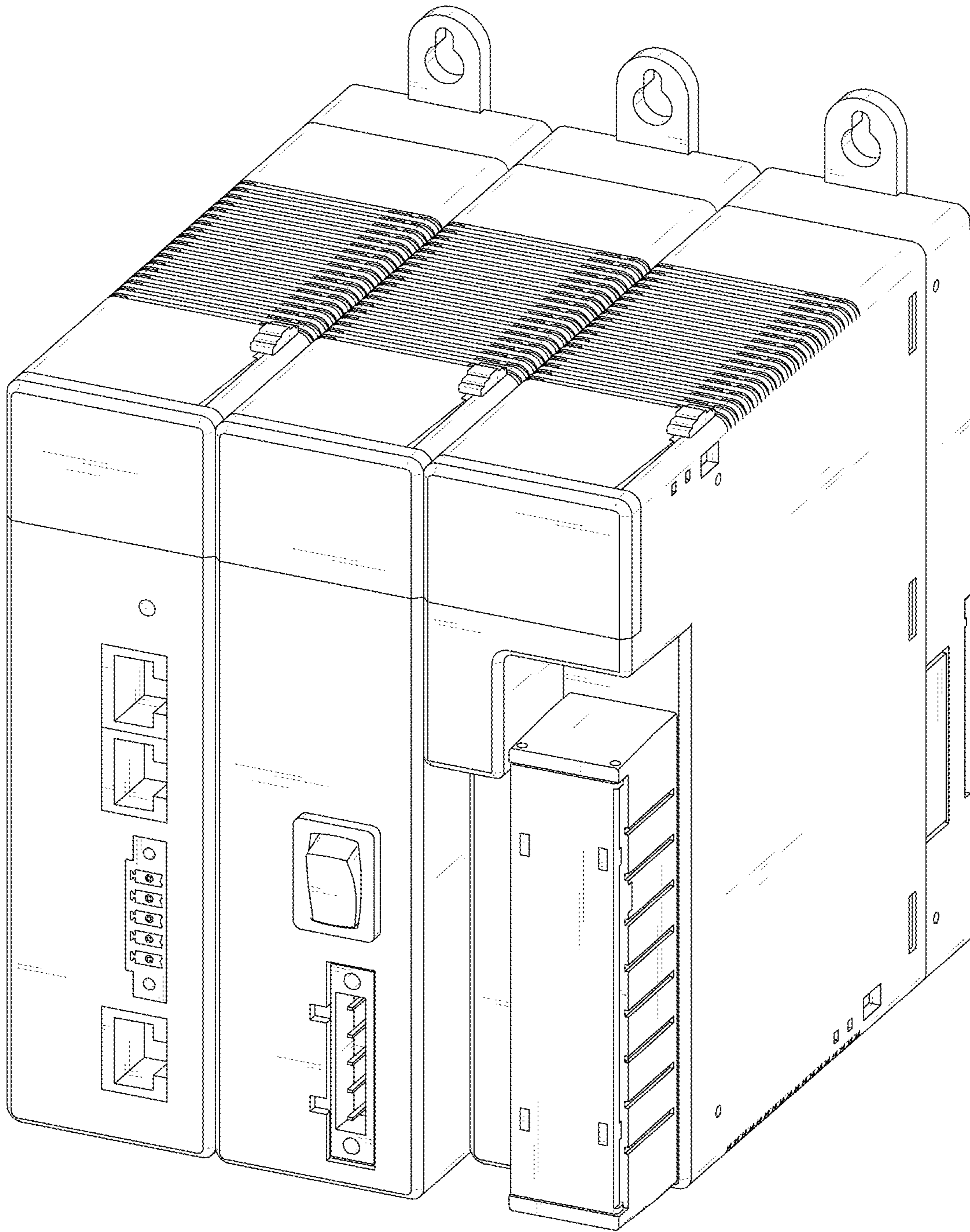


FIG. 2

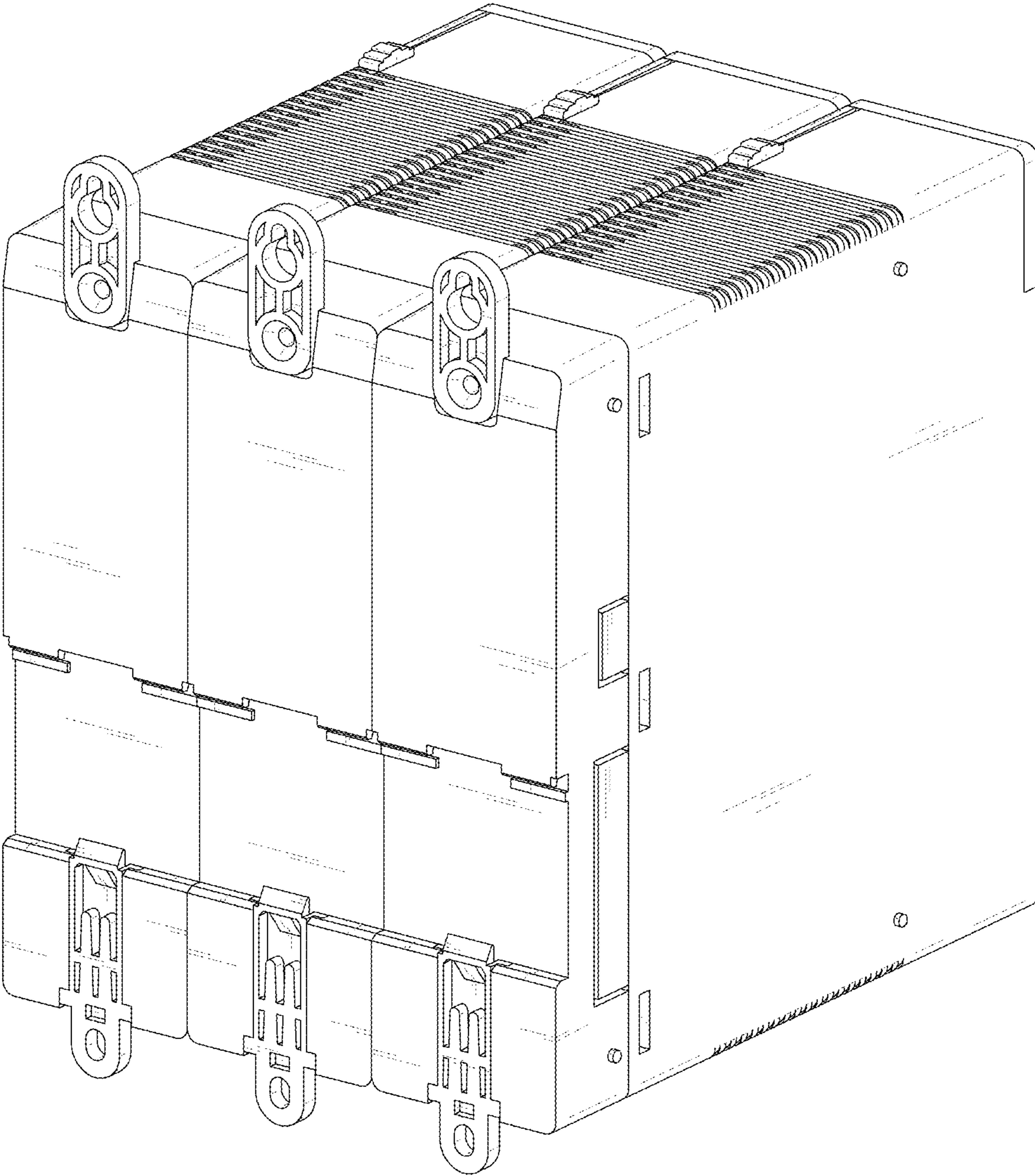


FIG. 3

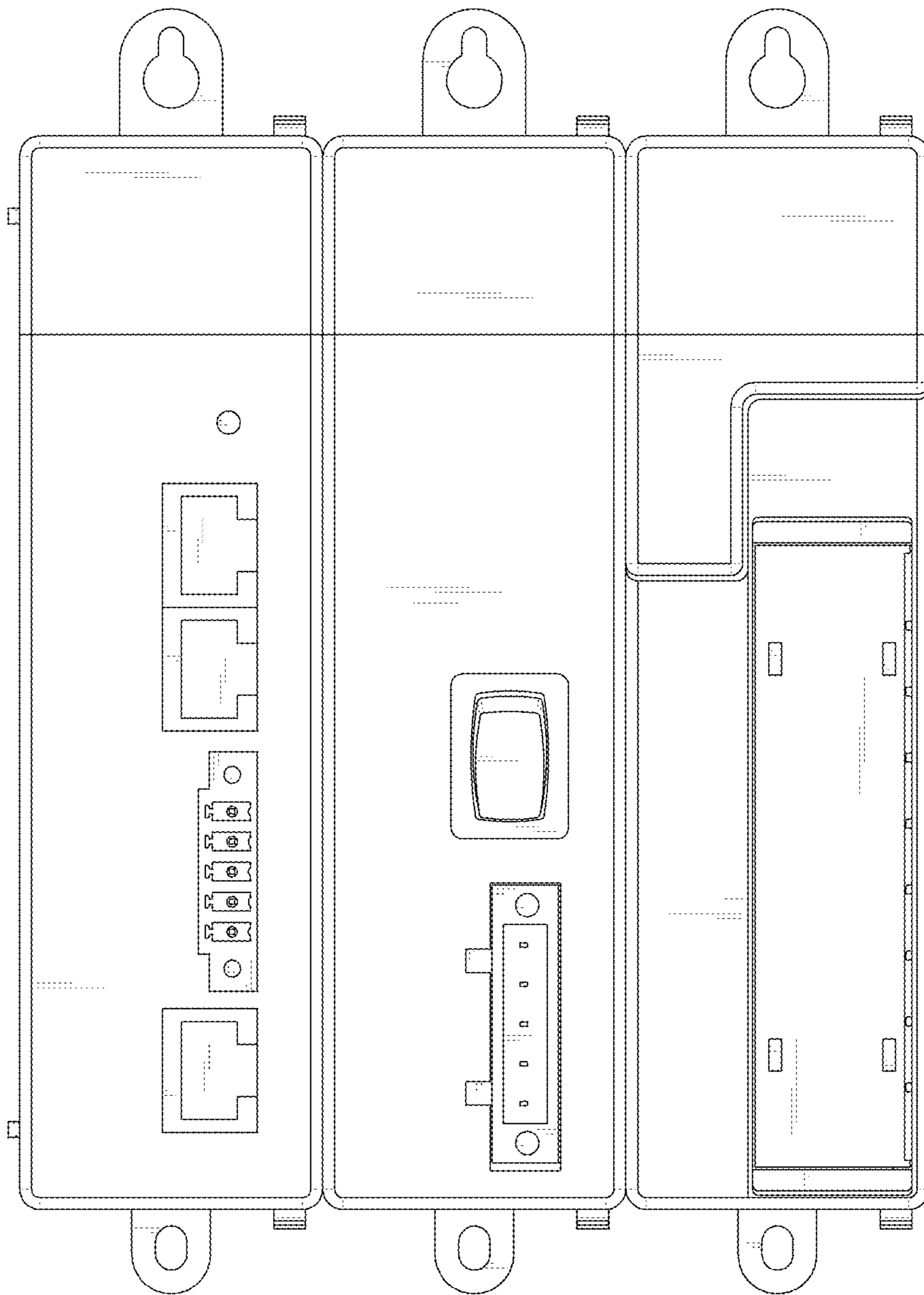


FIG. 4

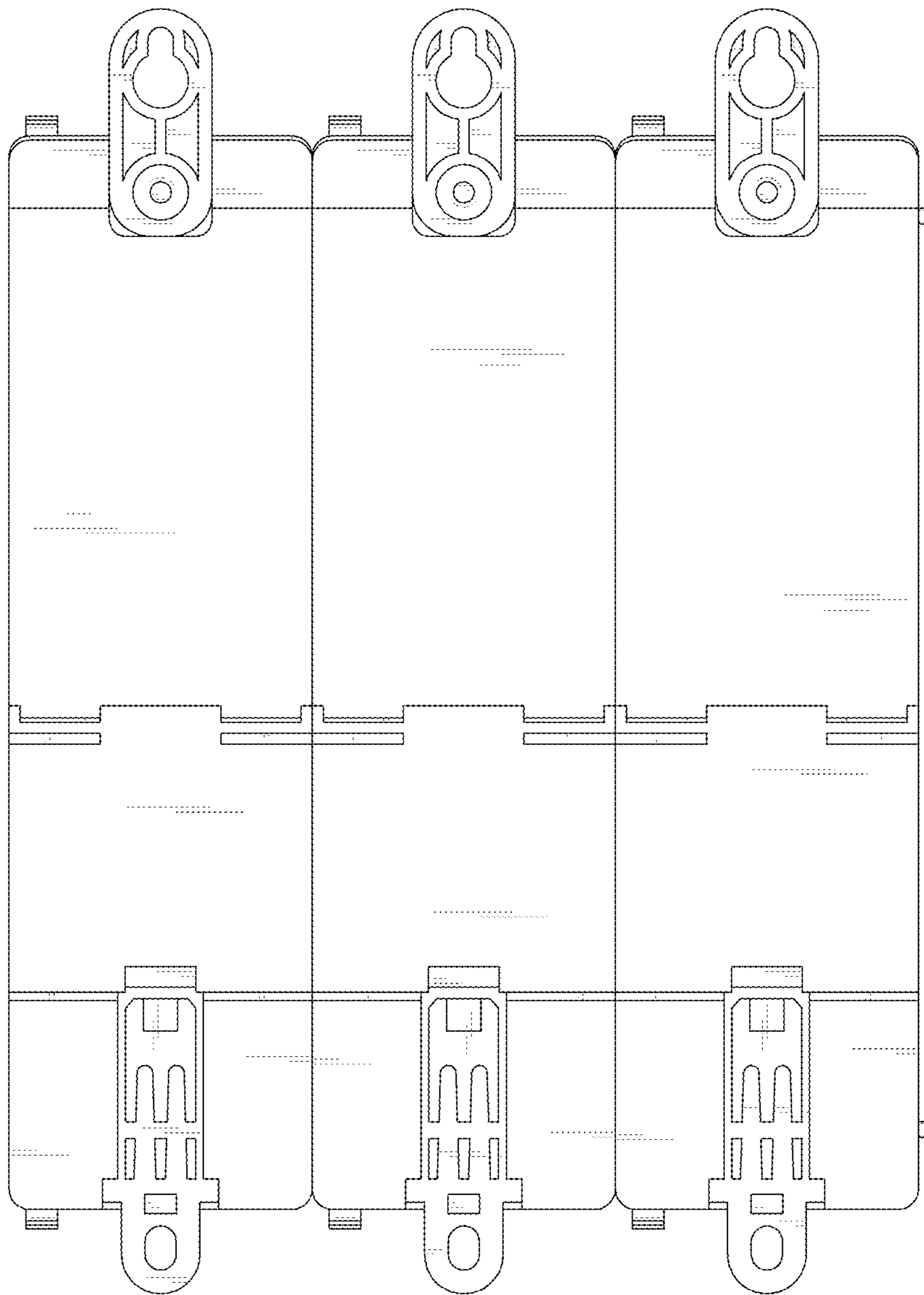


FIG. 5

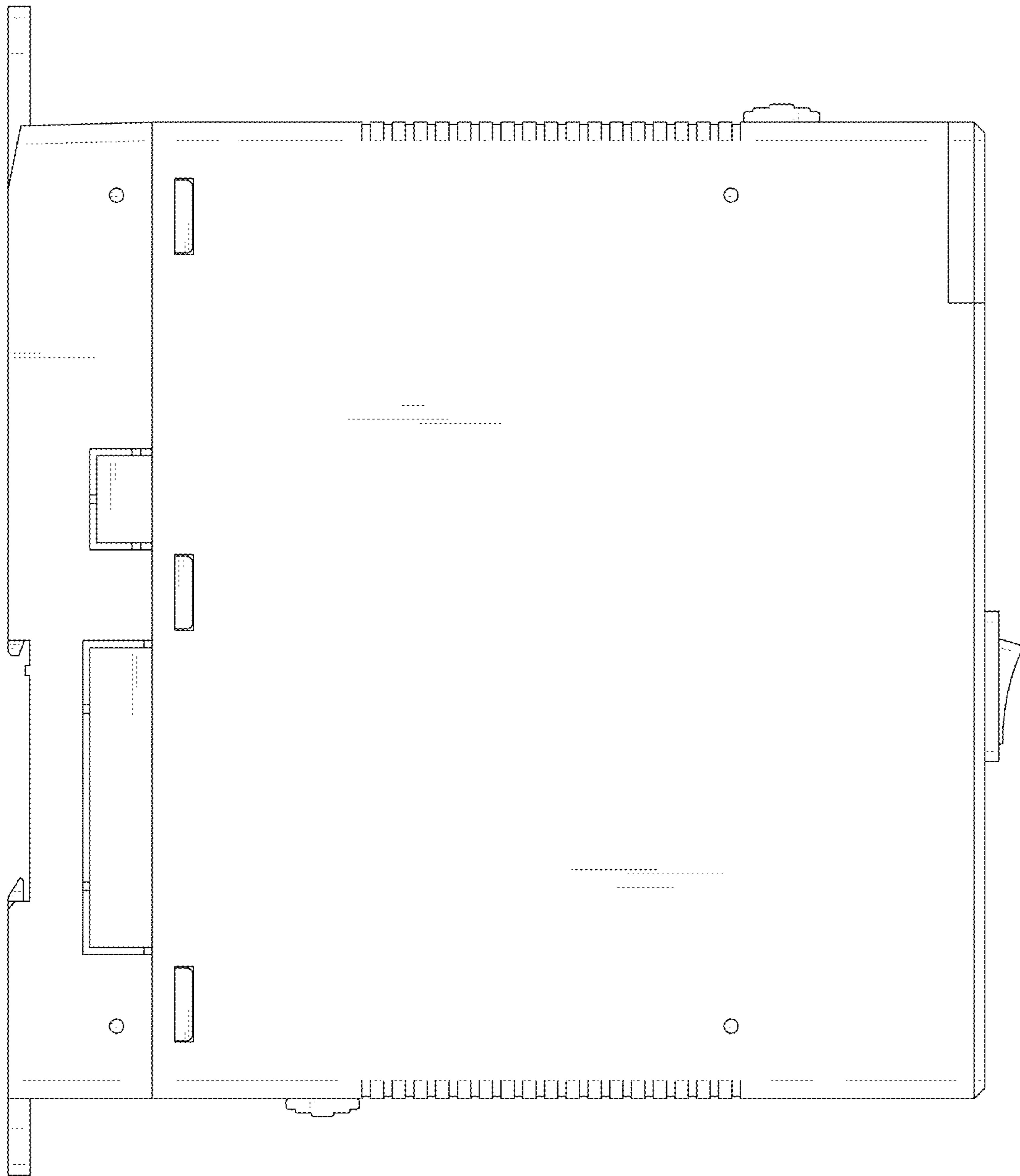


FIG. 6

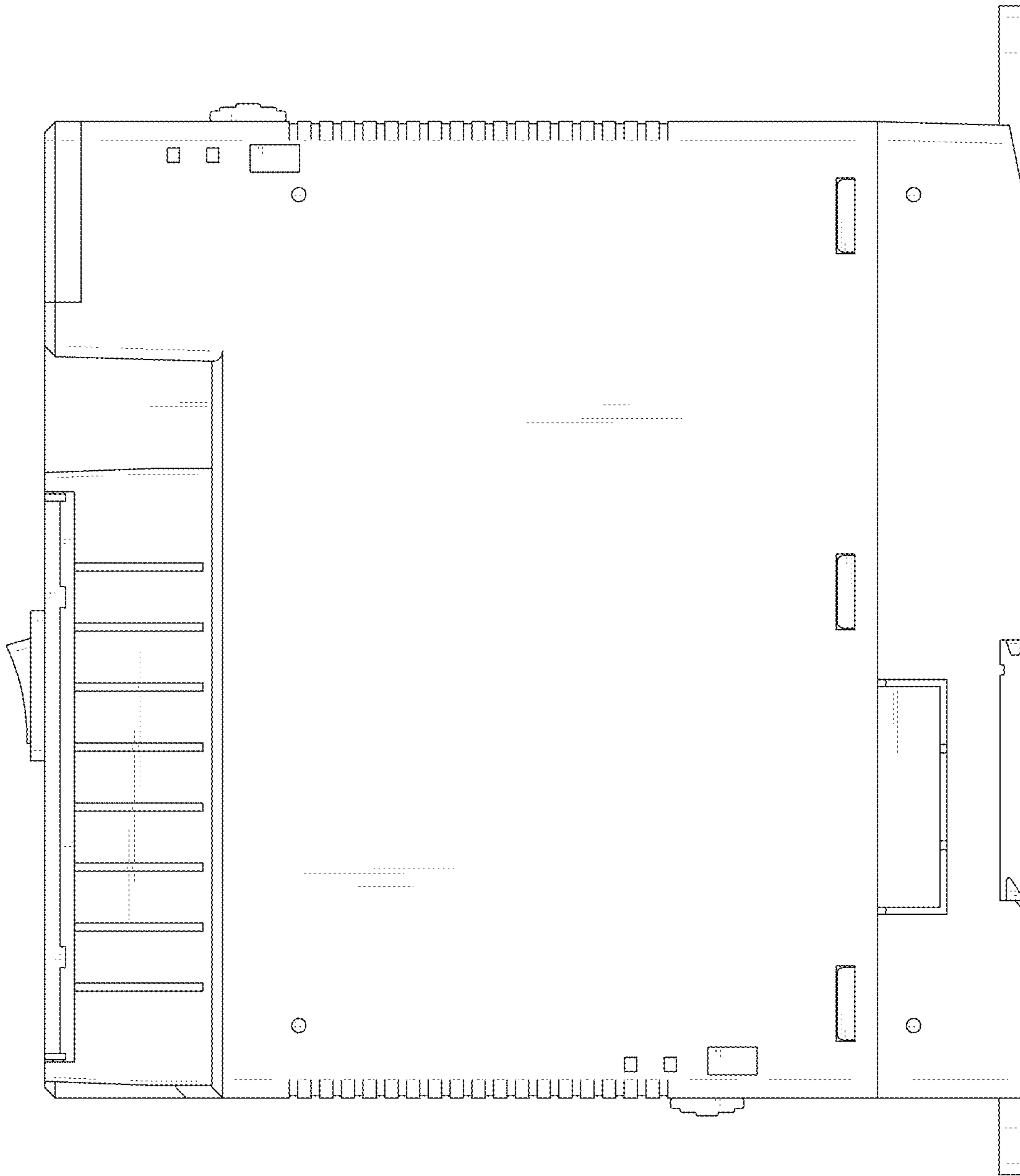


FIG. 7

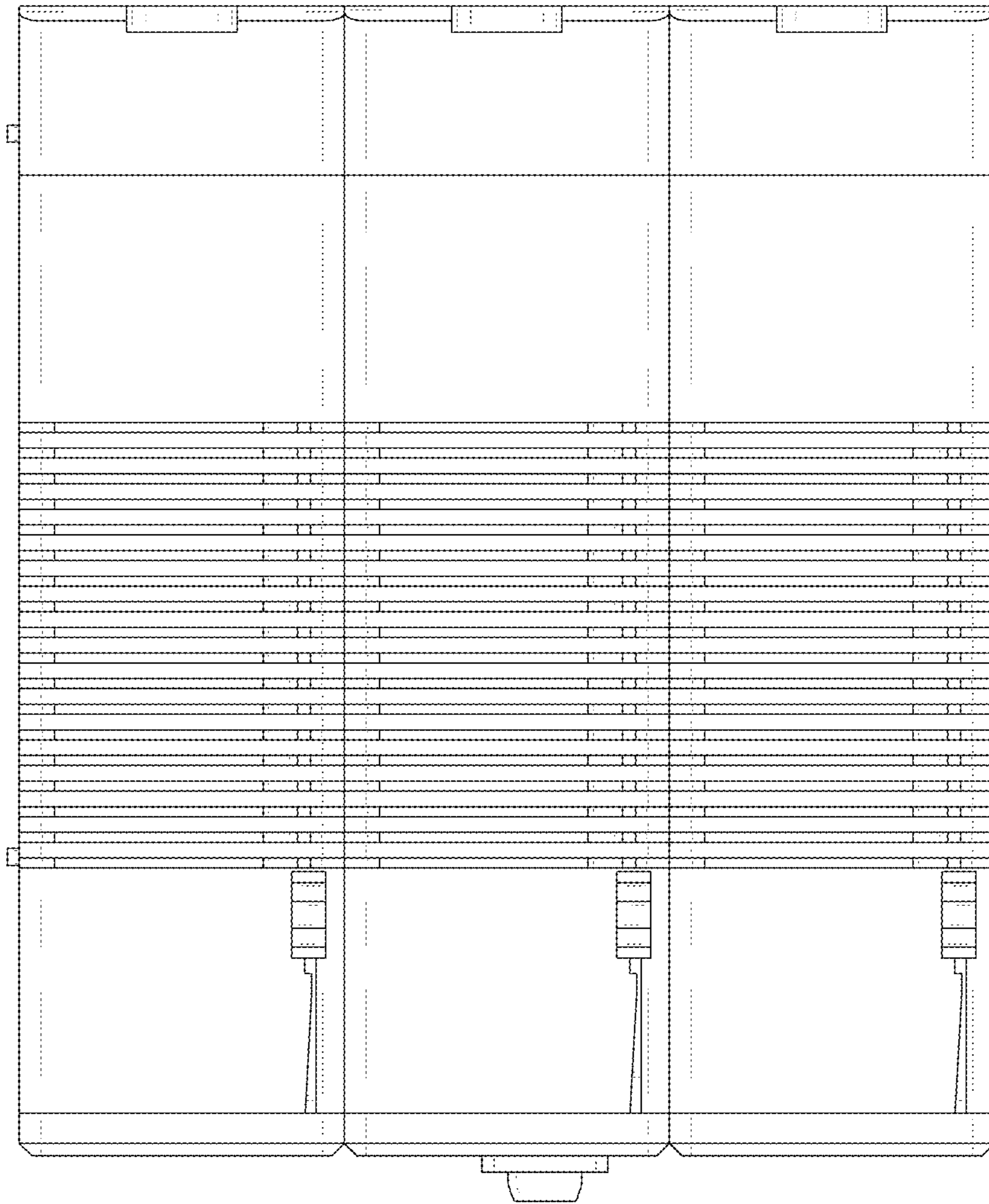


FIG. 8

