



US0D1022924S

(12) **United States Design Patent**
Busch

(10) **Patent No.:** **US D1,022,924 S**

(45) **Date of Patent:** **** Apr. 16, 2024**

(54) **MOUNTABLE ENCLOSURE FOR A
CONTROLLER DEVICE**

(71) Applicant: **PassiveLogic, Inc.**, Salt Lake City, UT
(US)

(72) Inventor: **David Bentley Busch**, Cottonwood
Heights, UT (US)

(73) Assignee: **PassiveLogic, Inc.**, Salt Lake City, UT
(US)

(**) Term: **15 Years**

(21) Appl. No.: **29/827,193**

(22) Filed: **Feb. 17, 2022**

(51) **LOC (14) Cl.** **13-03**

(52) **U.S. Cl.**
USPC **D13/162**

(58) **Field of Classification Search**
USPC D13/158, 159, 162, 162.1, 137.1, 137.2,
D13/137.3

CPC G03G 15/2039; G06Q 20/10; G06Q 20/18;
G06Q 20/20; G06Q 20/123; Y04S 20/20;
Y04S 20/30

See application file for complete search history.

(56) **References Cited**

U.S. PATENT DOCUMENTS

6,359,220	B2 *	3/2002	Schiedegger	H02G 3/123 220/3.9
D478,322	S *	8/2003	Droulin	D13/162.1
D478,873	S *	8/2003	Droulin	D13/162.1
D610,475	S *	2/2010	Beers	D10/50
D613,625	S *	4/2010	Schneor	D10/49
8,802,981	B2 *	8/2014	Wallaert	F24F 11/00 337/380
D724,545	S *	3/2015	Shin	D13/159
D772,085	S *	11/2016	Howe	D10/50
D900,757	S *	11/2020	Wan	D13/110

D950,545	S *	5/2022	Harvey	D14/307
D950,547	S *	5/2022	Harvey	D14/307
D960,010	S *	8/2022	Lindgren	D10/103
D975,031	S *	1/2023	Di	D10/50
D983,051	S *	4/2023	Moore	D10/50

FOREIGN PATENT DOCUMENTS

CN	3340562	*	12/2003
CN	302441126	*	5/2013
CN	304997380	*	1/2019
CN	306412543	*	3/2021

* cited by examiner

Primary Examiner — Leanne Was-Englehart

Assistant Examiner — Devin Kelly

(57) **CLAIM**

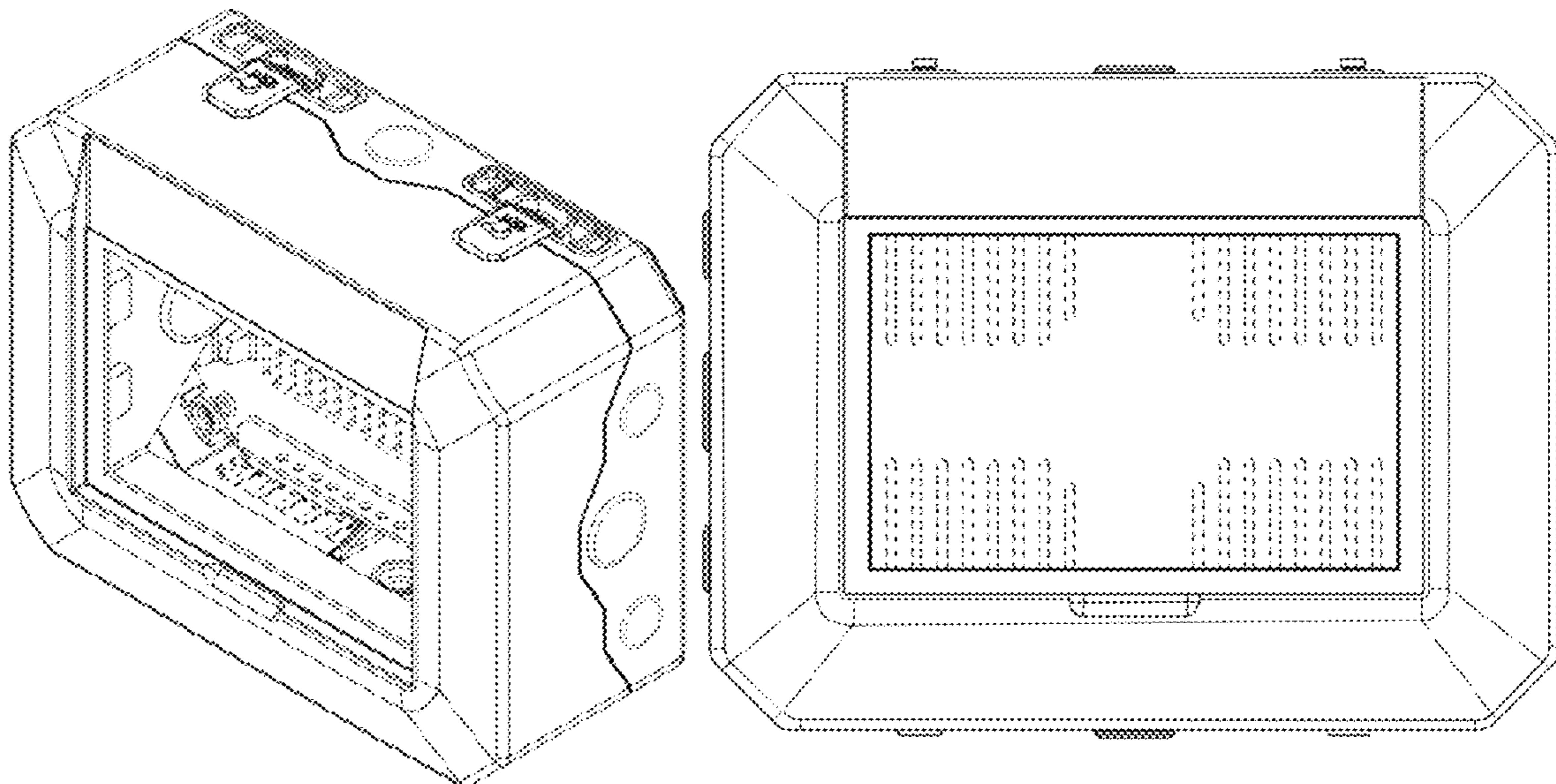
The ornamental design for a mountable enclosure for a controller device, as shown and described.

DESCRIPTION

FIG. 1 is a perspective view of a mountable enclosure for a controller device showing our new design;
 FIG. 2 is a front view of the mountable enclosure for a controller device with lid thereof;
 FIG. 3 is a rear view of the mountable enclosure for a controller device with lid thereof;
 FIG. 4 is a left view of the mountable enclosure for a controller device with lid thereof;
 FIG. 5 is a right view of the mountable enclosure for a controller device with lid thereof;
 FIG. 6 is a top view of the mountable enclosure for a controller device with lid thereof; and,
 FIG. 7 is a bottom view of the mountable enclosure for a controller device.

The broken lines shown in the drawing illustrate portions of the mountable enclosure for a controller device that form no part of the claimed design.

1 Claim, 7 Drawing Sheets



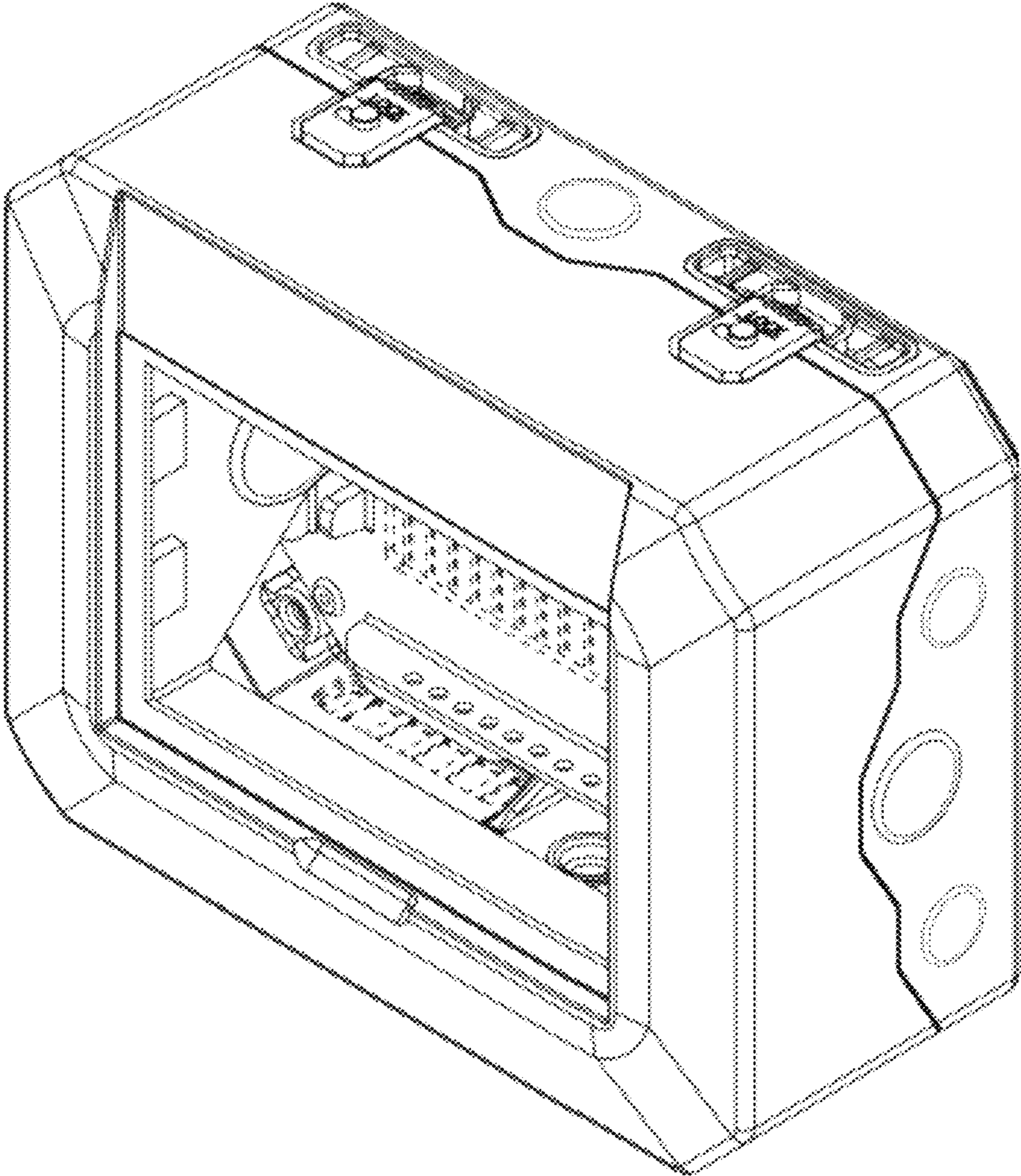


FIG. 1

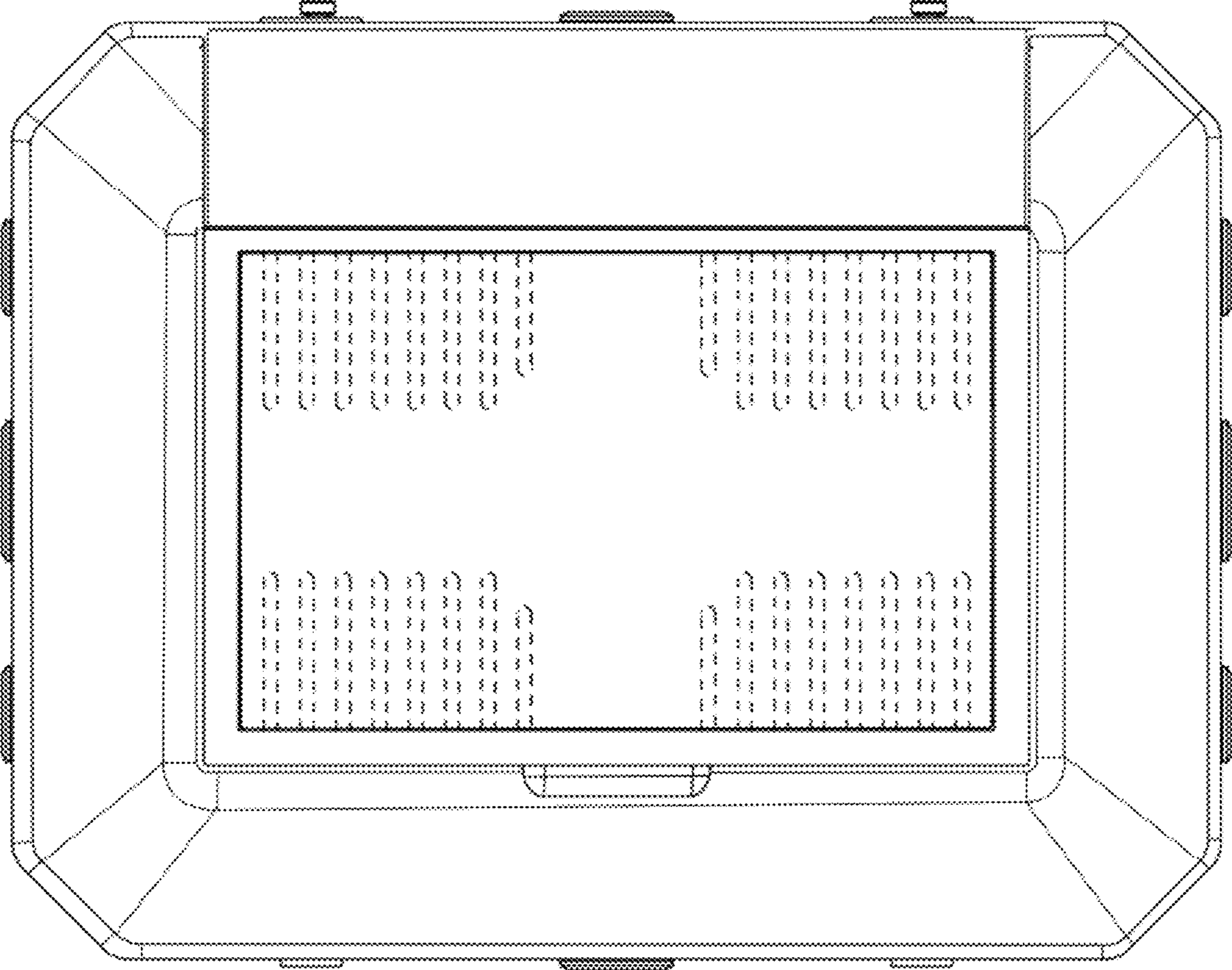


FIG. 2

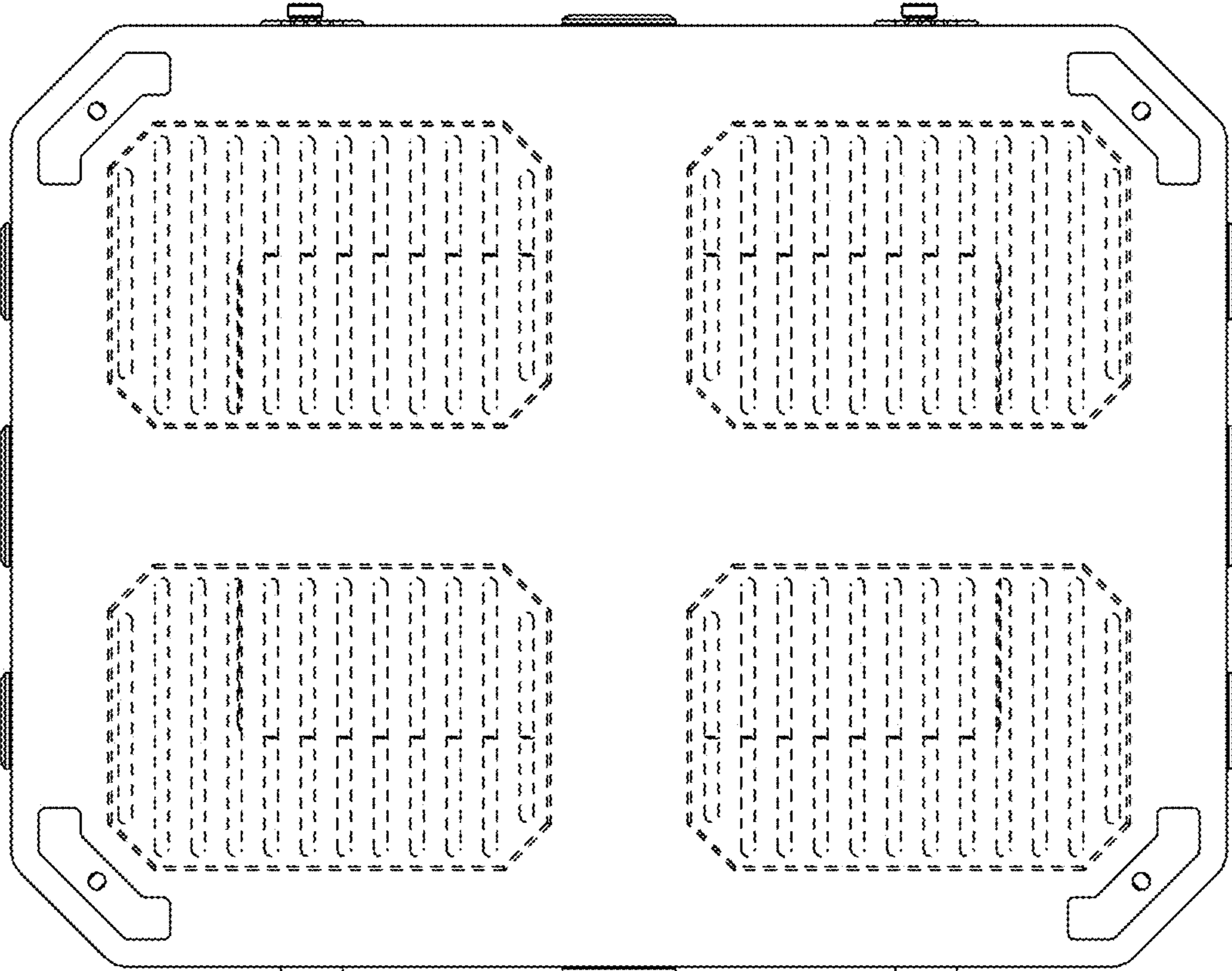


FIG. 3

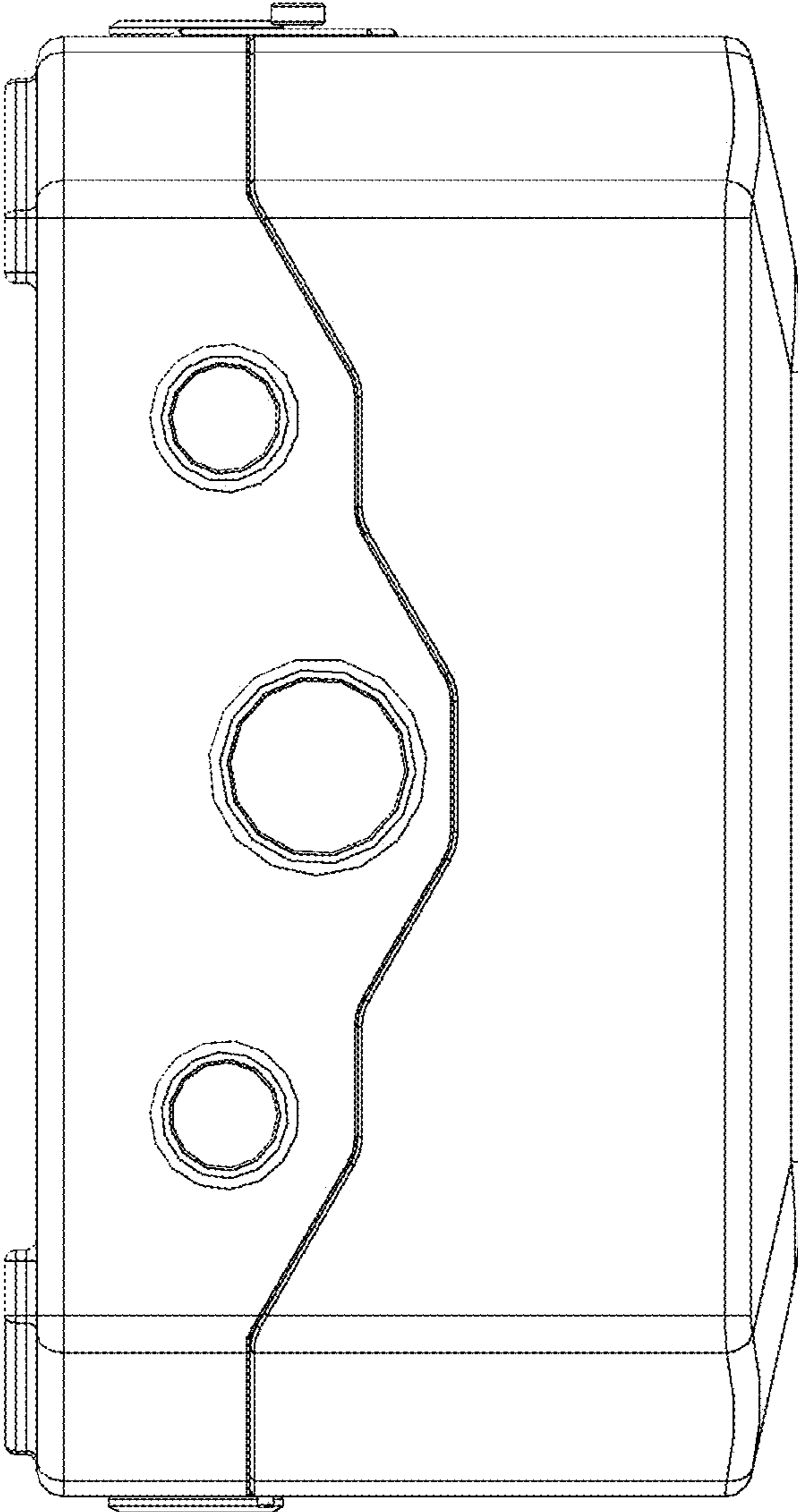


FIG. 4

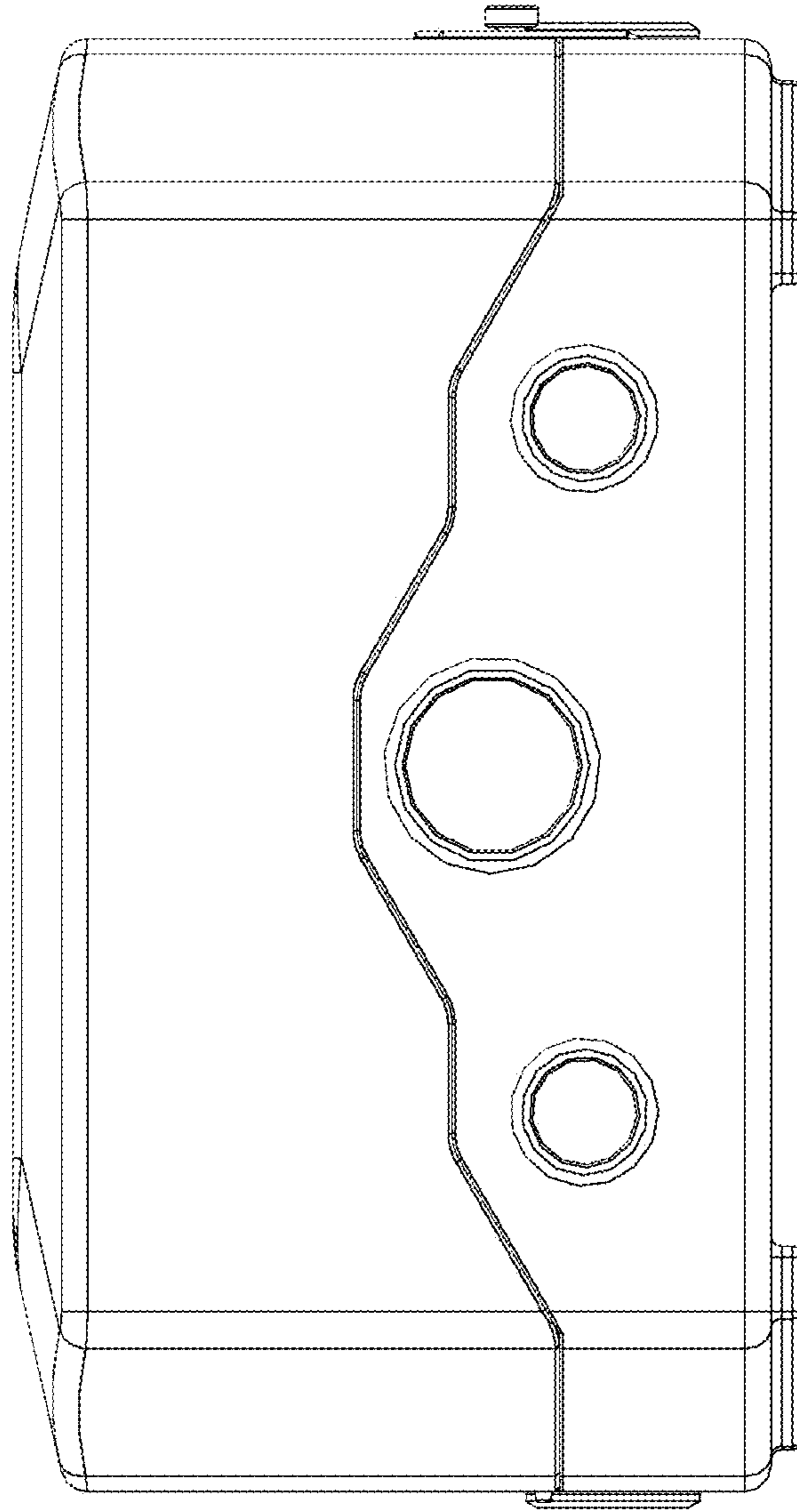


FIG. 5

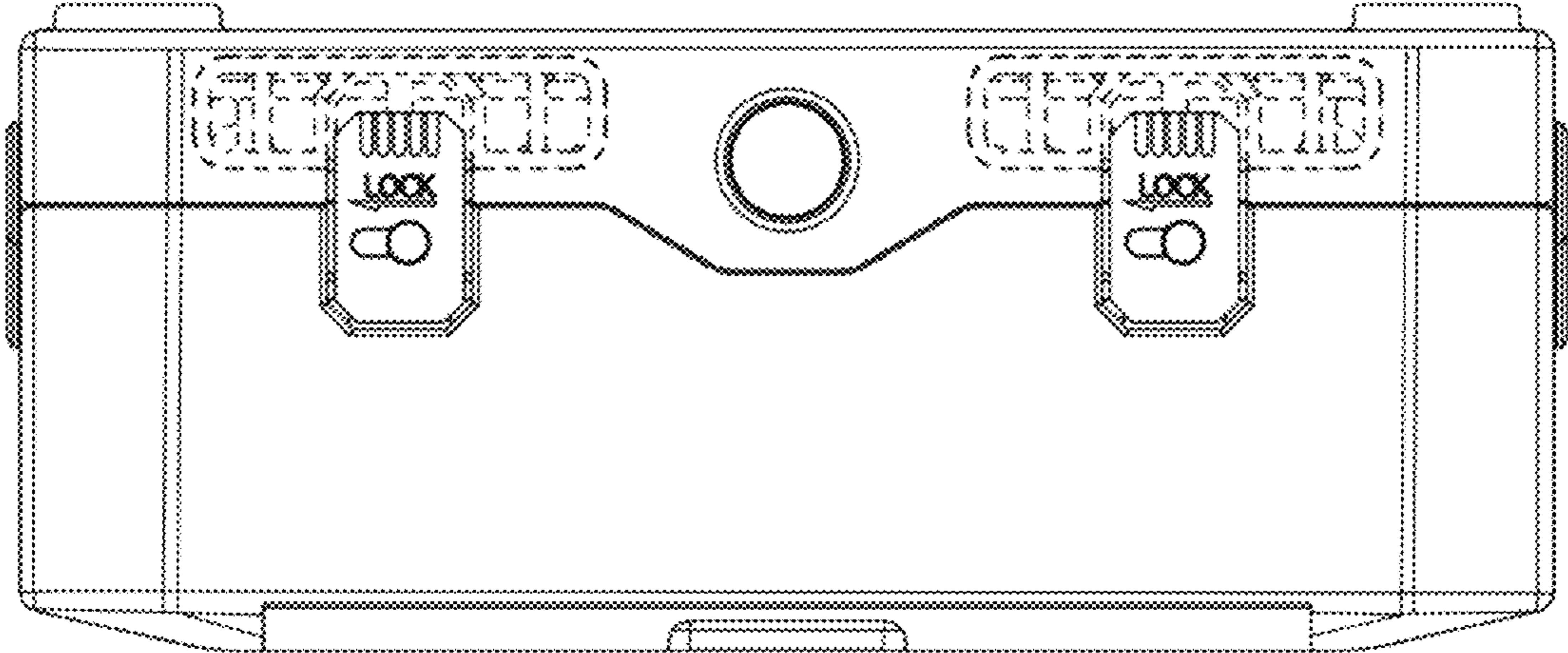


FIG. 6

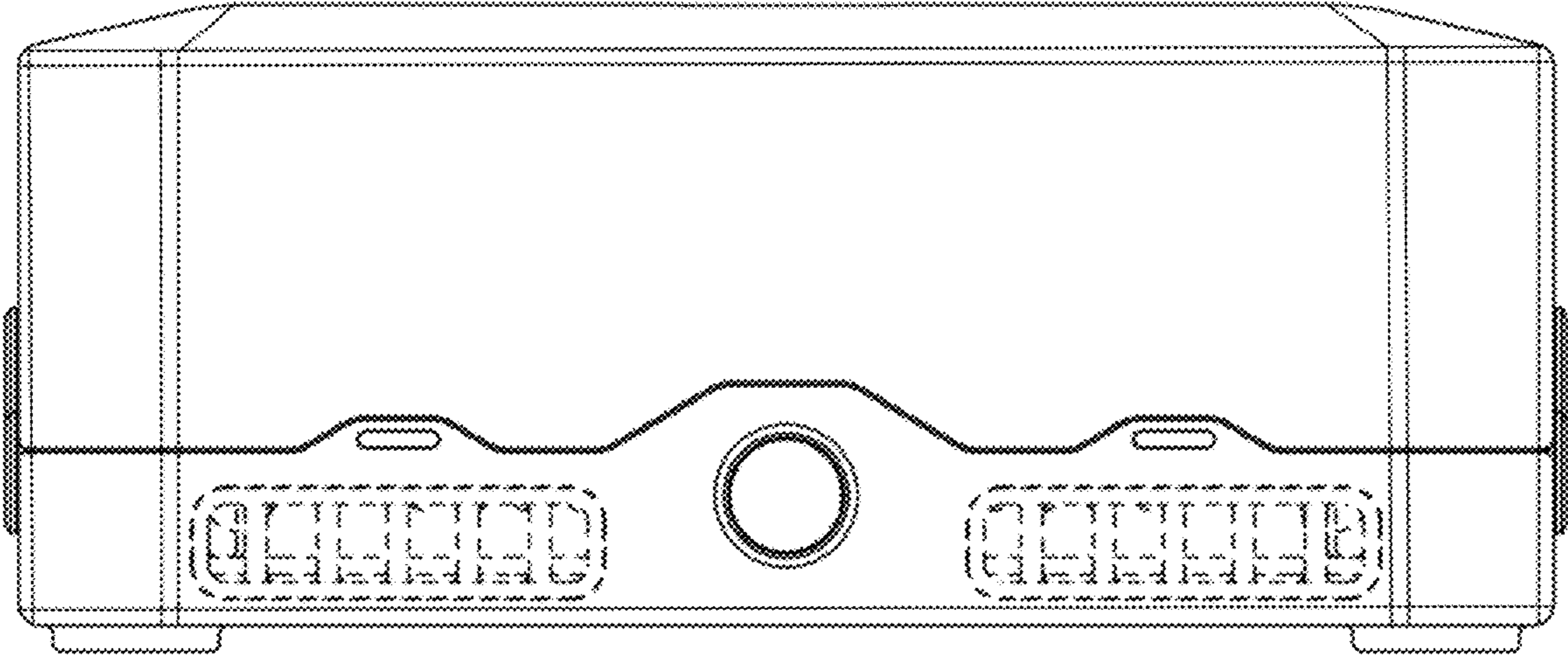


FIG. 7