



US0D1022800S

(12) **United States Design Patent** (10) **Patent No.:** **US D1,022,800 S**
Bruno et al. (45) **Date of Patent:** **** Apr. 16, 2024**

(54) **MOTOR TRUCK**

(71) Applicants: **IVECO S.p.A.**, Turin (IT); **NIKOLA CORPORATION**, Phoenix, AZ (US)

(72) Inventors: **Giuseppe Bruno**, Turin (IT); **Marco Armigliato**, Turin (IT); **David Melvin Wilkie**, Turin (IT); **Erik Tuft**, Mesa, AZ (US)

(73) Assignees: **IVECO S.p.A.**, Turin (IT); **NIKOLA CORPORATION**, Phoenix, AZ (US)

(**) Term: **15 Years**

(21) Appl. No.: **29/740,348**

(22) Filed: **Jul. 2, 2020**

(51) **LOC (14) Cl.** **12-08**

(52) **U.S. Cl.**
USPC **D12/93**

(58) **Field of Classification Search**
USPC ... D12/1, 14, 82, 84, 85, 86, 87, 88, 89, 90, D12/91, 92, 93, 94, 96, 97, 98, 99, 100; D21/533, 548, 552, 561
CPC B60Y 2200/10; B60Y 2200/14; B60Y 2200/22; B60Y 2200/41; B60Y 2200/90; B60Y 2200/91; B60Y 2200/112; B60Y 2200/141; B60Y 2200/142; B60Y 2200/1422; B62D 29/045; B62D 33/00; B62D 33/06; B62D 33/077; B62D 33/0604; B62D 33/0612
See application file for complete search history.

(56) **References Cited**

U.S. PATENT DOCUMENTS

D408,331 S * 4/1999 Sacco D12/96
D411,142 S * 6/1999 Sacco D12/96
D422,534 S * 4/2000 Hellhake D12/96
6,259,819 B1 7/2001 Andrew et al.

D540,218 S * 4/2007 Sekiguchi D12/96
D540,219 S * 4/2007 Oka D12/96
D571,694 S 6/2008 Zheng
D572,178 S 7/2008 Zheng
D572,635 S 7/2008 Zheng
(Continued)

FOREIGN PATENT DOCUMENTS

CN 106864399 A 6/2017

OTHER PUBLICATIONS

Nikola, Published Dec. 3, 2019 [online], [retrieved on Jul. 9, 2022]. Retrieved from the Internet: <https://www.electrive.com/2019/12/03/nikola-electric-semi-trailer-tre-to-build-on-iveco-s-way/> (Year: 2019).*

(Continued)

Primary Examiner — Mark A Goodwin

Assistant Examiner — Adam C Mager

(74) *Attorney, Agent, or Firm* — Nixon Peabody LLP

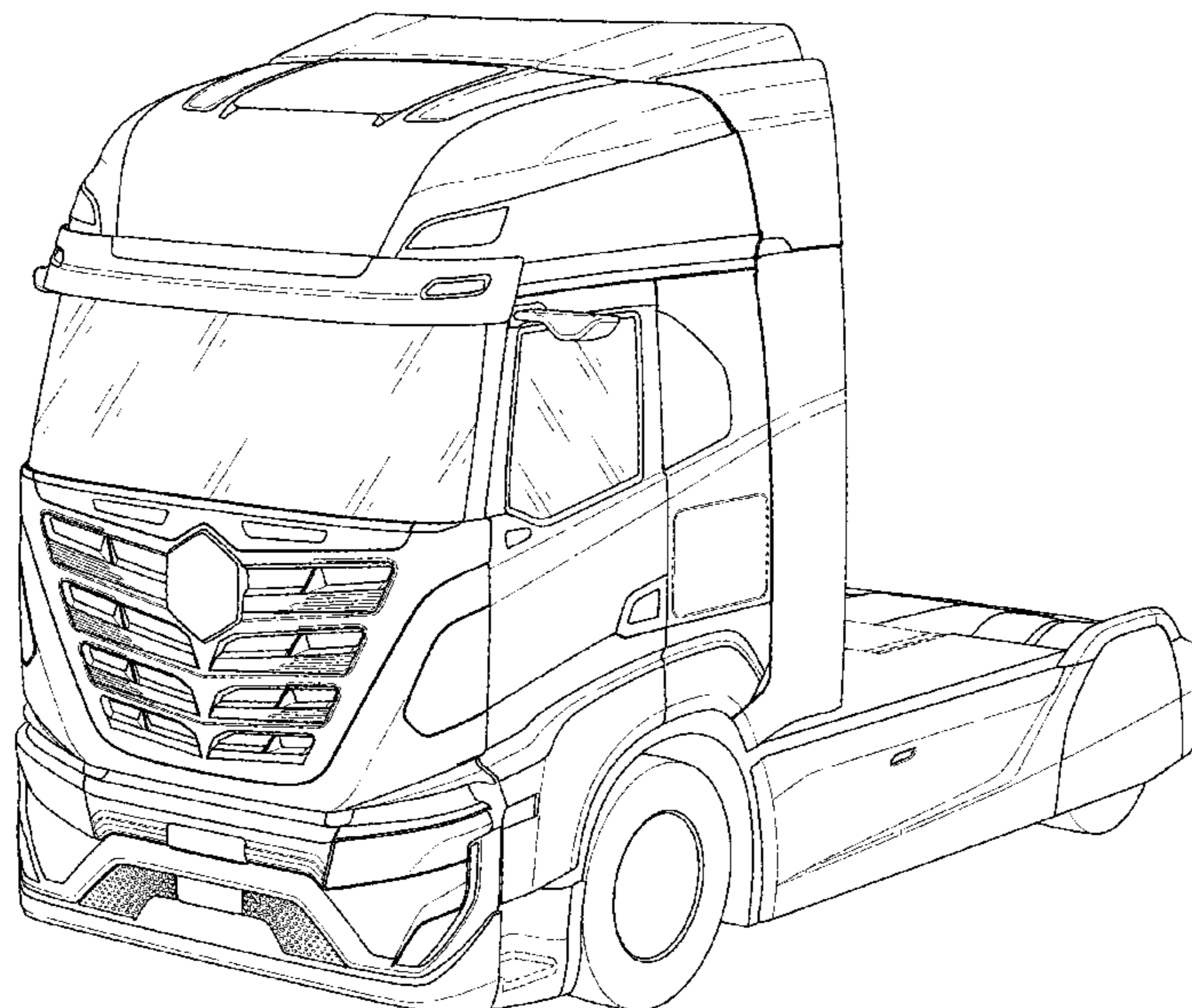
(57) **CLAIM**

The ornamental design for a motor truck, as shown and described.

DESCRIPTION

FIG. 1 is a perspective view of a motor truck;
FIG. 2 is a front elevation view of the motor truck of FIG. 1;
FIG. 3 is a rear elevation view of the motor truck of FIG. 1;
FIG. 4 is a right side elevation view of the motor truck of FIG. 1;
FIG. 5 is a left side elevation view of the motor truck of FIG. 1;
FIG. 6 is a top plan view of the motor truck of FIG. 1; and
FIG. 7 is a bottom plan view of the motor truck of FIG. 1.
The broken lines in the drawings illustrates portions of the motor truck and form no part of the claimed design.

1 Claim, 7 Drawing Sheets



(56)

References Cited

U.S. PATENT DOCUMENTS

D614,542 S 4/2010 Kasai
 D614,543 S 4/2010 Kitazumi
 D619,049 S * 7/2010 Beigel D12/96
 D623,092 S * 9/2010 Beigel D12/96
 D634,244 S * 3/2011 Aris D12/96
 D651,136 S * 12/2011 Stimel, Jr. D12/96
 D660,751 S 5/2012 Matei
 D716,197 S 10/2014 Terui
 D729,122 S * 5/2015 Koos D12/96
 D729,123 S * 5/2015 Koos D12/96
 D752,485 S 3/2016 Chung
 D775,030 S 12/2016 Frykholm
 D775,553 S 1/2017 Ishii
 D783,465 S 4/2017 Choi
 D797,014 S 9/2017 Park
 D809,979 S 2/2018 Tanaka
 D811,968 S 3/2018 Milton
 D813,765 S 3/2018 Woodhouse
 D817,234 S 5/2018 Park
 D818,888 S 5/2018 Koizumi
 D818,913 S 5/2018 Grech
 D821,933 S 7/2018 Ishii
 D826,809 S 8/2018 Schiavone
 D830,251 S 10/2018 Komuro
 D869,140 S 12/2019 Bucciol
 D870,000 S 12/2019 Joudo
 D870,597 S * 12/2019 Kirzinger D12/96
 D874,989 S 2/2020 Utsunomiya
 D875,005 S 2/2020 Holzhausen
 D879,674 S 3/2020 Melville-Brown
 D890,638 S 7/2020 Lee
 D891,335 S 7/2020 Olsen

D895,493 S 9/2020 Fidler
 D914,561 S 3/2021 Anscheidt
 D916,630 S 4/2021 Horie
 D917,351 S 4/2021 Wakabayashi
 D919,518 S 5/2021 Sato
 D920,177 S 5/2021 Kumar
 D920,179 S 5/2021 Schmeckpeper
 D920,864 S 6/2021 Kentley-Klay
 D920,865 S 6/2021 Piaskowski
 D922,281 S 6/2021 Chen
 D933,532 S * 10/2021 Kupitza D12/93
 D962,826 S * 9/2022 Su D12/93
 D990,373 S * 6/2023 Kim D12/96

OTHER PUBLICATIONS

Nikola TRE, Published Feb. 8, 2020 [online], [retrieved on Jun. 13, 2023]. Retrieved from the Internet: <https://www.electrive.com/2019/12/03/nikola-electric-semi-trailer-tre-to-build-on-iveco-s-way/> (Year: 2020).*

Non-Final Office Action in U.S. Appl. No. 29/736,701, dated Jun. 30, 2021 (6 pages).

Nikola TRE, Published on May 3, 2019 [online], [retrieved on Jun. 19, 2021], Retrieved from the Internet: https://www.youtube.com/watch?v=4xhxU0_FPt8 (Year: 2019).

Nikola Motor, "Iveco, FPT Industrial and Nikola Corporation unveil the Nikola TRE," Published on Dec. 3, 2019 (8 pages).

U.S. Appl. No. 29/736,701, filed Jun. 2, 2020, Tuft, Erik, Truck Grille.

U.S. Appl. No. 29/786,645, filed Jun. 1, 2021, Bruno, Giuseppe, Motor Truck.

* cited by examiner

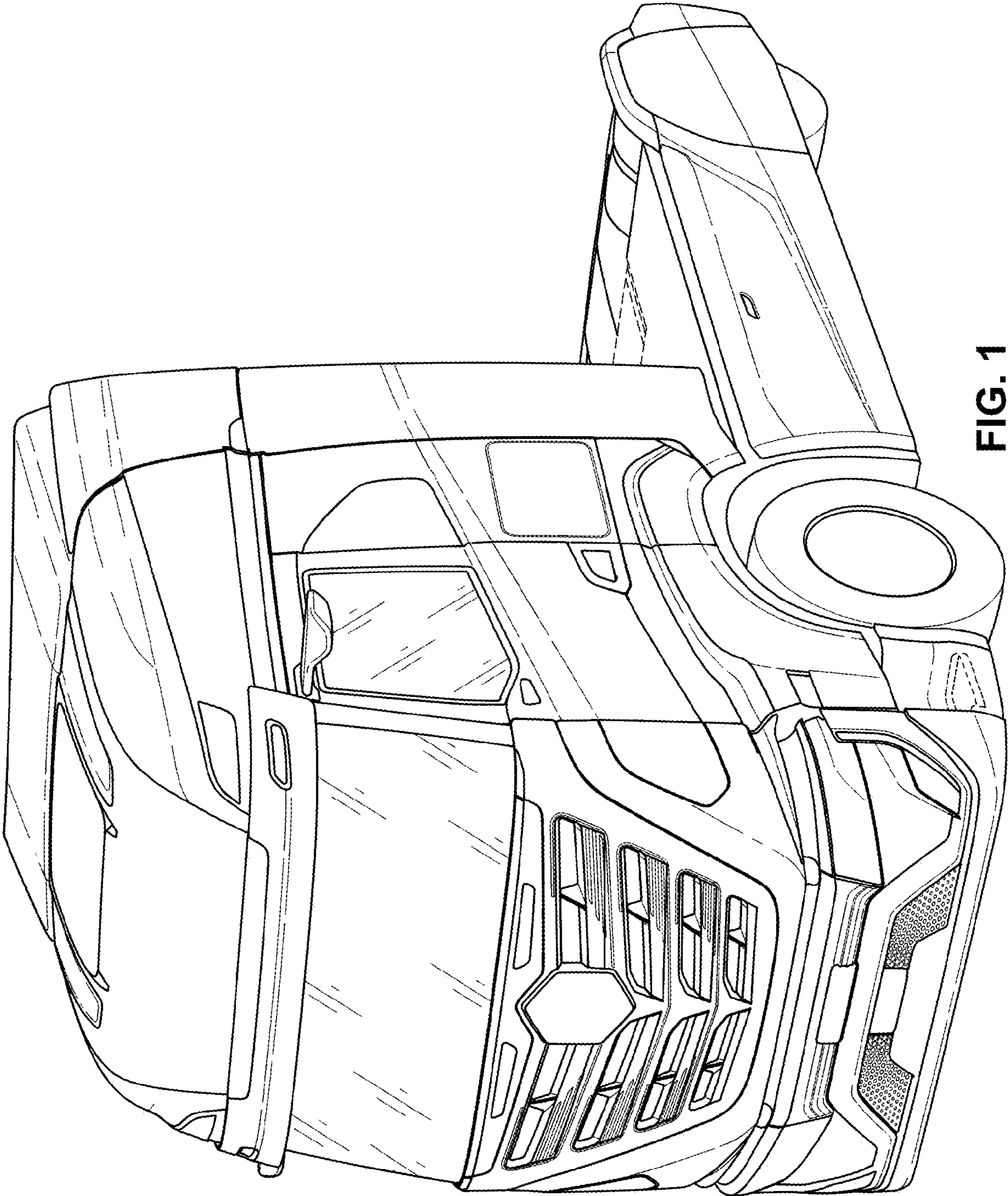


FIG. 1

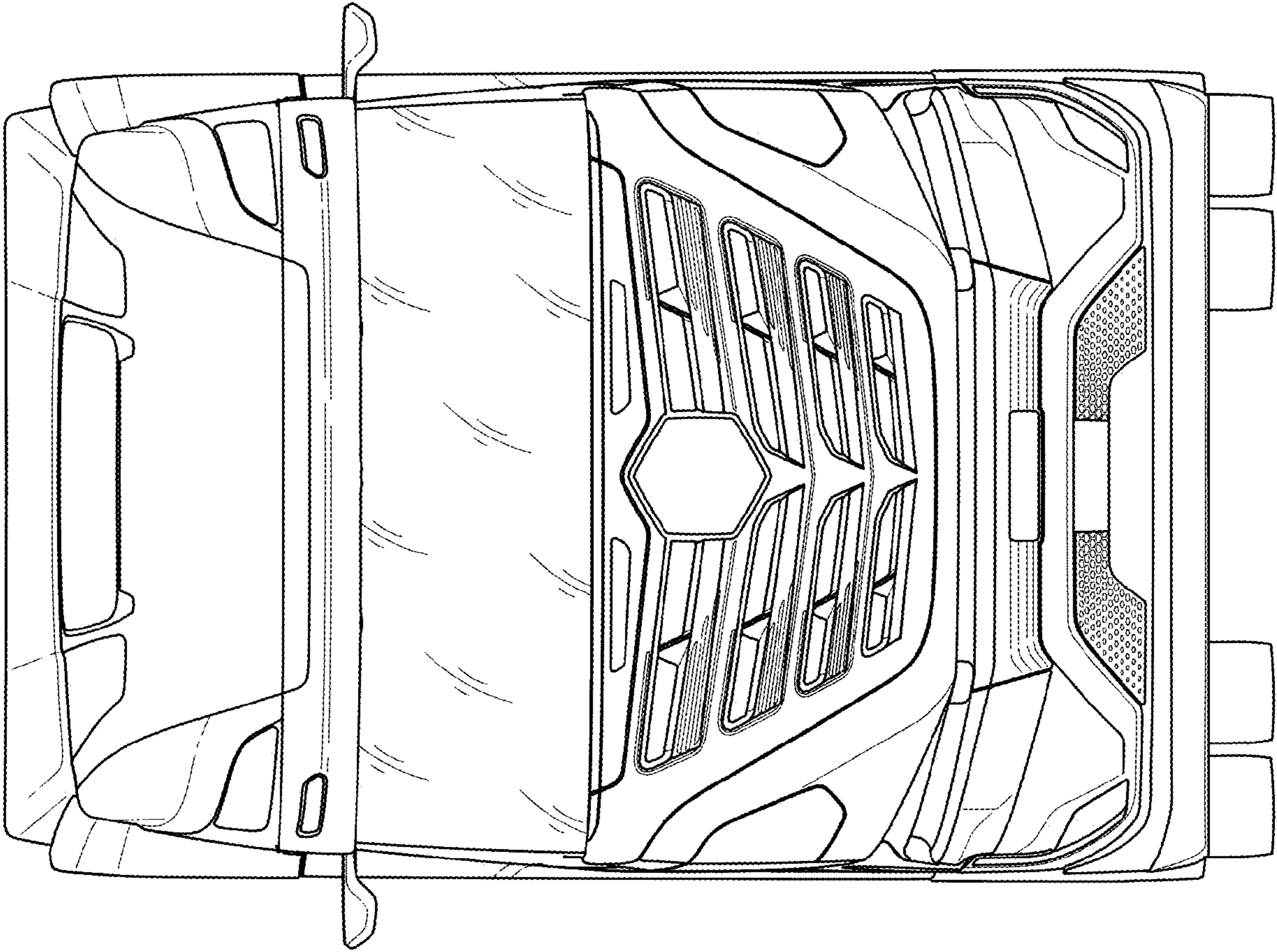


FIG. 2

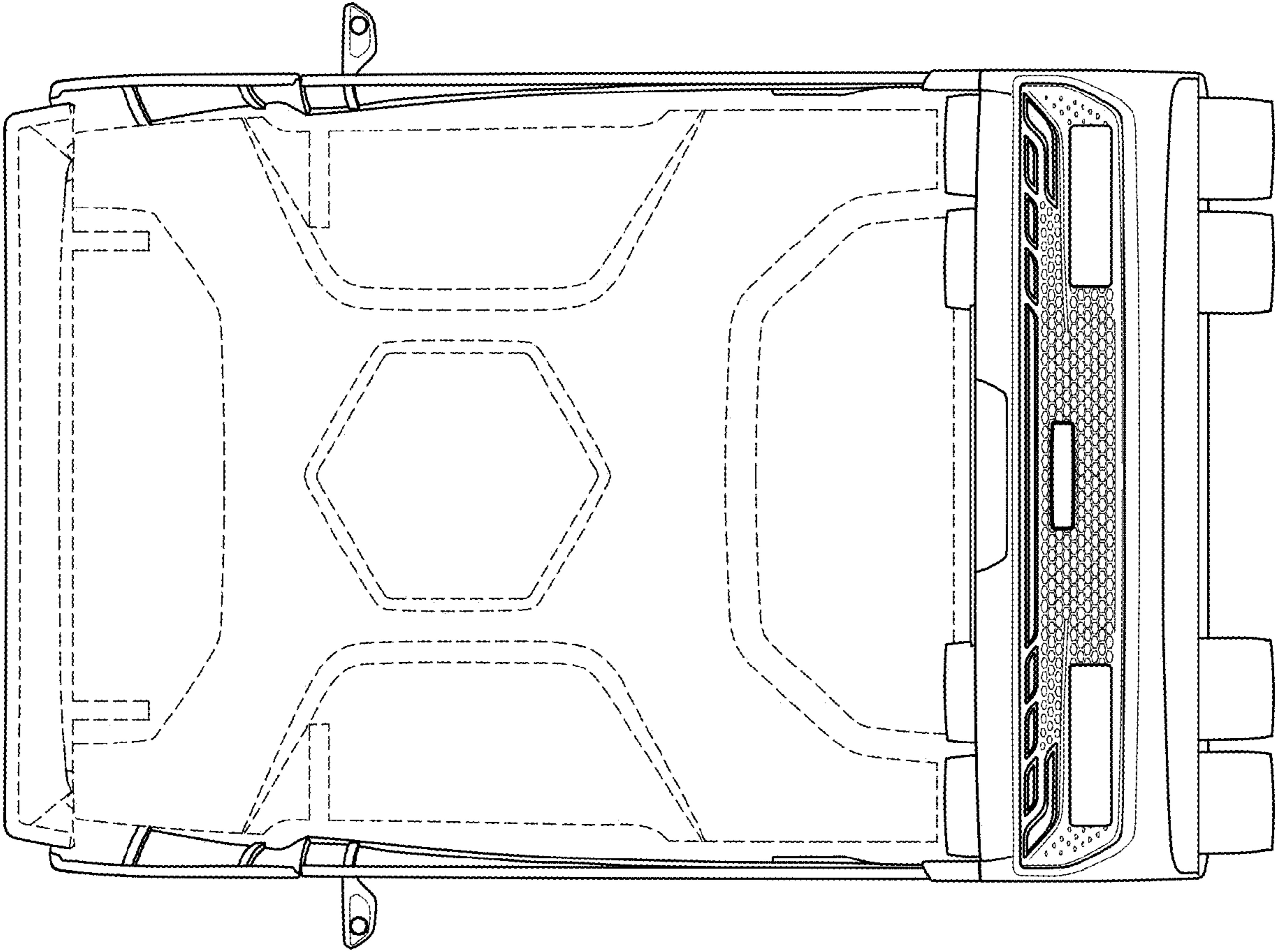


FIG. 3

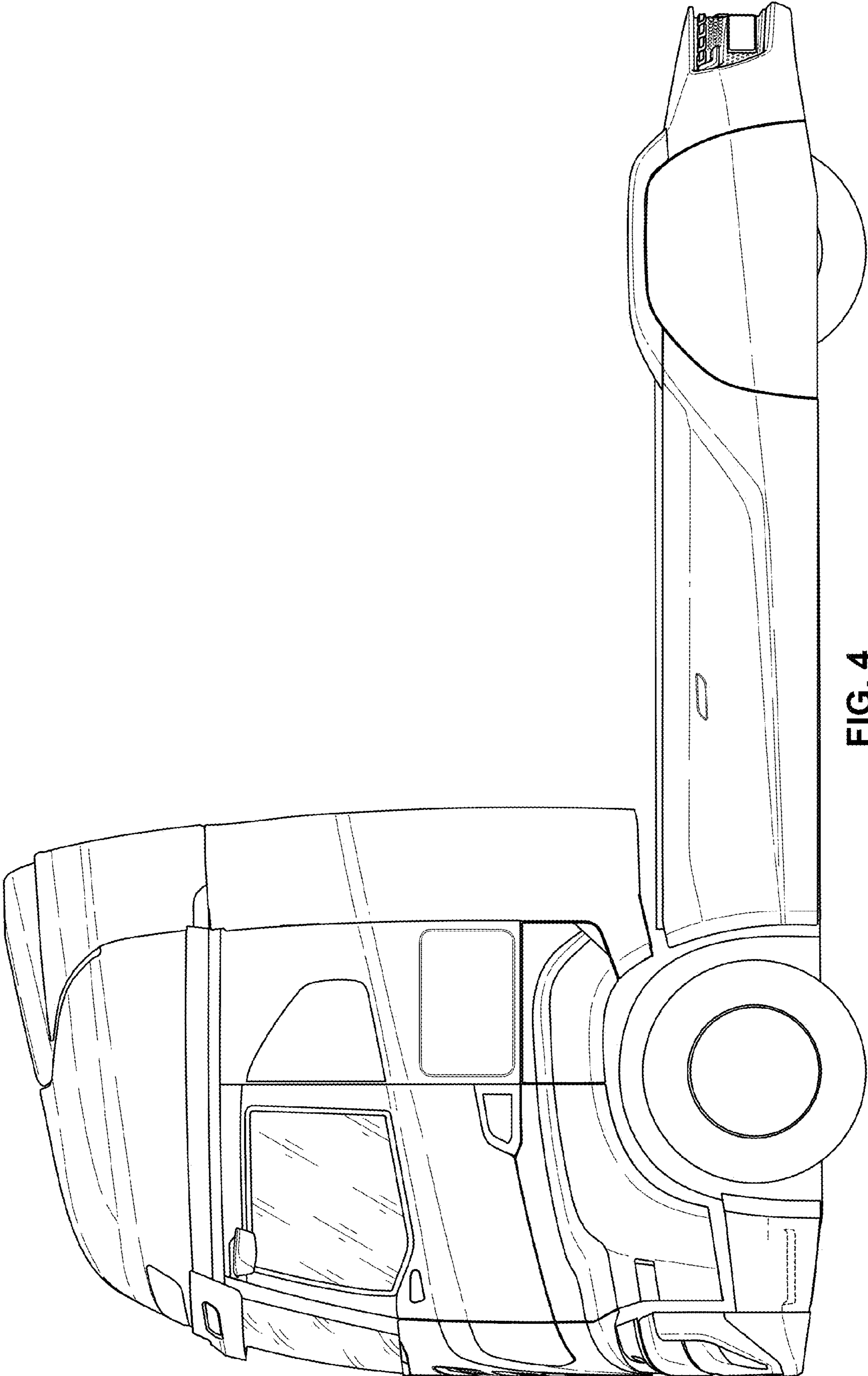


FIG. 4

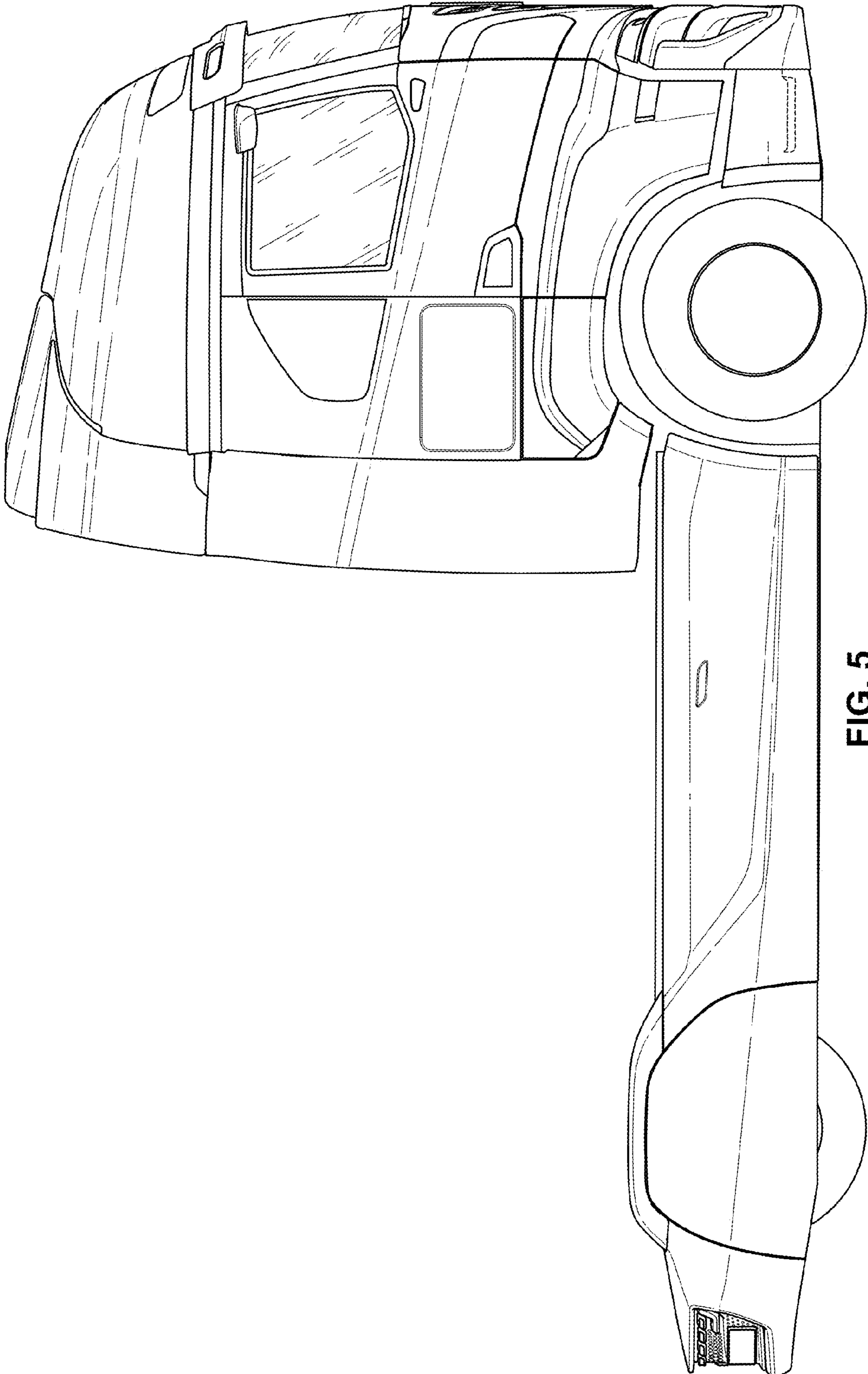


FIG. 5

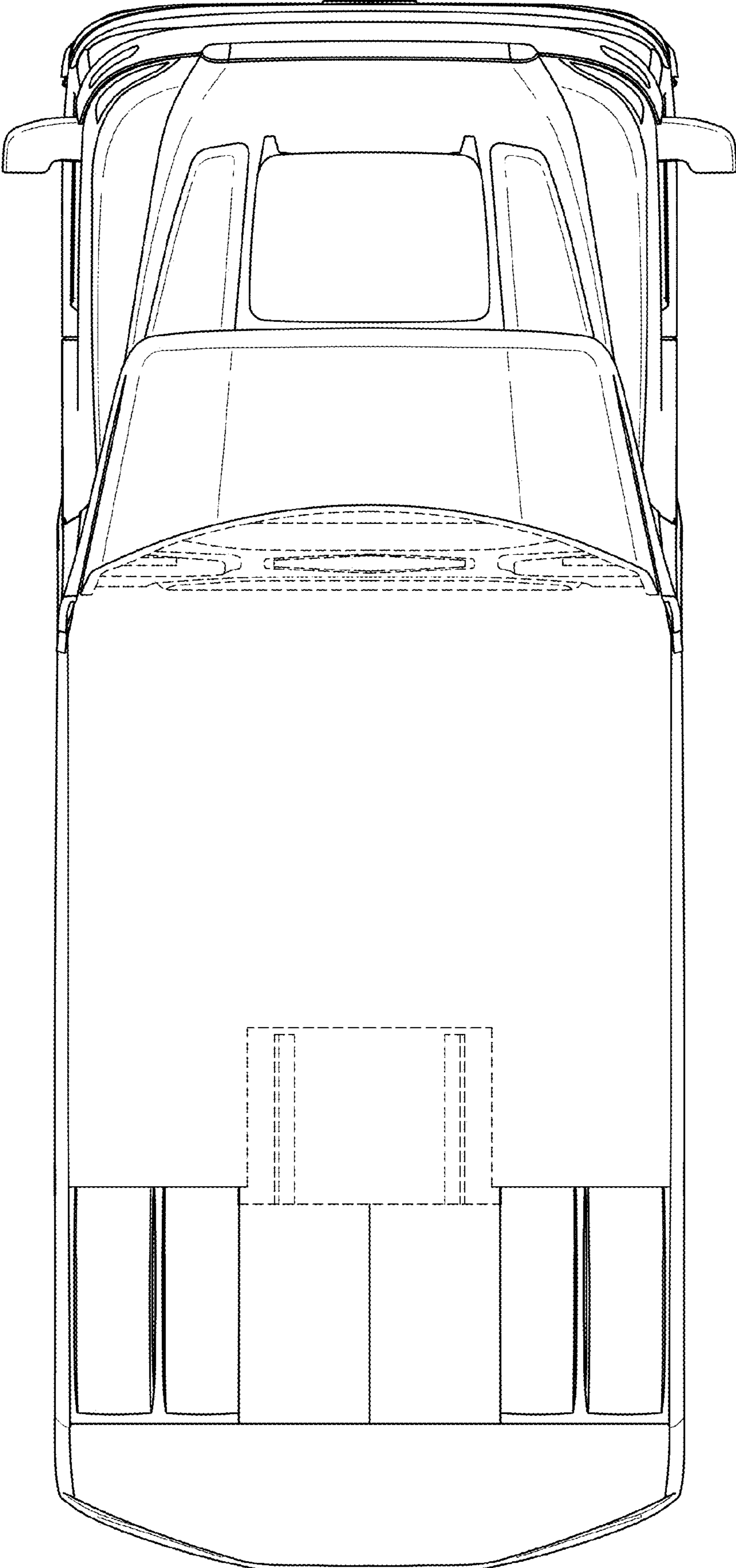


FIG. 6

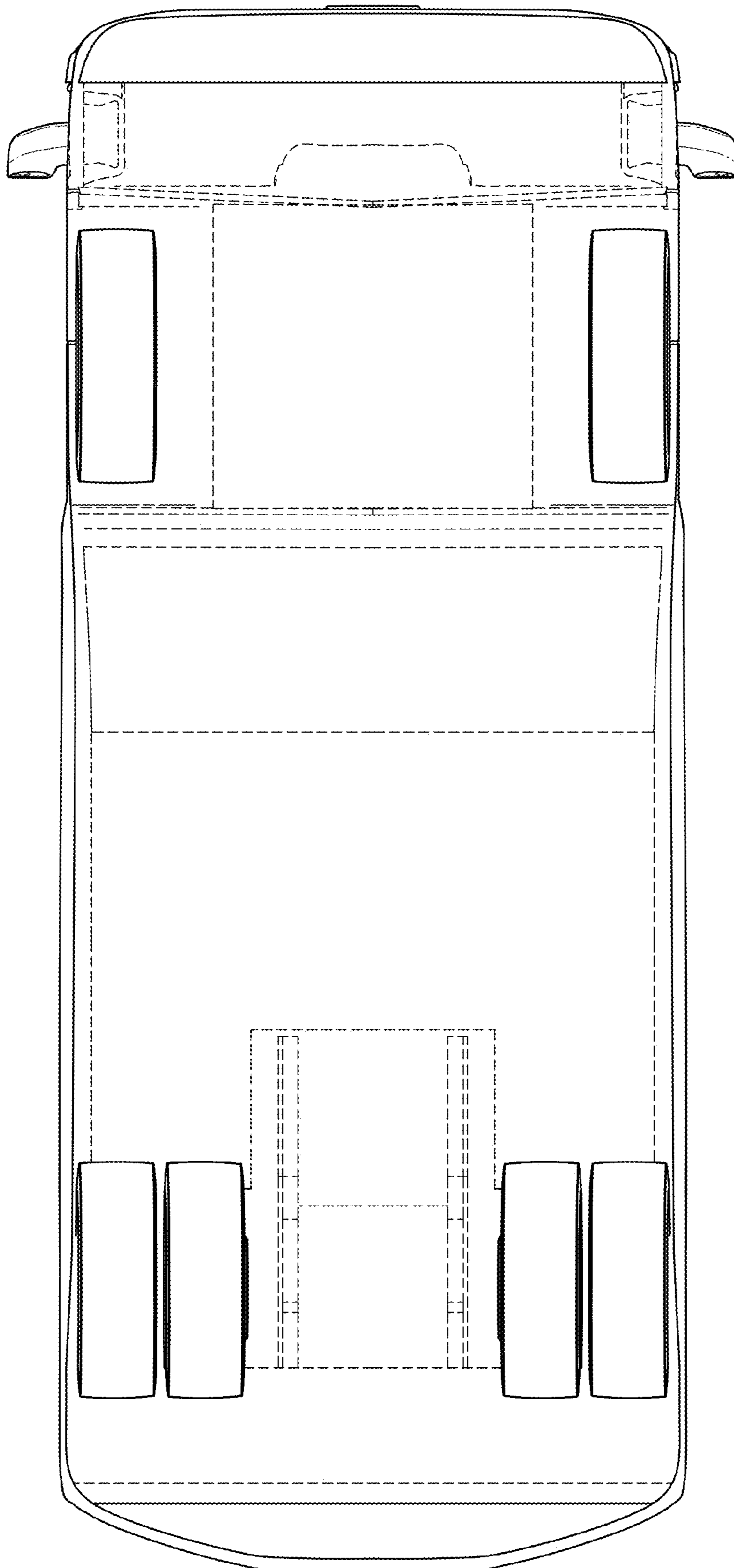


FIG. 7