



US0D1022795S

(12) **United States Design Patent**  
**Feng et al.**

(10) **Patent No.: US D1,022,795 S**

(45) **Date of Patent: \*\* Apr. 16, 2024**

- (54) **CHAIN FOR SLIDE FASTENER**
- (71) Applicant: **YKK Corporation**, Tokyo (JP)
- (72) Inventors: **Tiantian Feng**, Kurobe (JP); **Yuchen Tung**, Kurobe (JP)
- (73) Assignee: **YKK Corporation**, Tokyo (JP)
- (\*\*) Term: **15 Years**
- (21) Appl. No.: **29/804,723**
- (22) Filed: **Aug. 23, 2021**
- (51) **LOC (14) Cl.** ..... **02-07**
- (52) **U.S. Cl.**  
USPC ..... **D11/221**
- (58) **Field of Classification Search**  
USPC ..... D11/200–221; D8/33, 34, 40; D3/252, D3/285, 289, 301; D2/639, 705, D2/742–744, 747, 828, 830, 836, 839, D2/848, 853, 857, 863, 864, 911, 946  
CPC . A41D 1/06; A41D 1/062; A41D 1/08; A41D 1/082; A41D 13/02; A41D 27/201; A41D 27/202; A41D 27/205; A41B 2300/322; A44B 19/00; A44B 19/02; A44B 19/04; A44B 19/06; A44B 19/08; A44B 19/10; A44B 19/24; A44B 19/26; A44B 19/28; A44B 19/30; A44B 19/262; A44B 19/386; A44B 19/388  
See application file for complete search history.

- 4,765,038 A \* 8/1988 Kasai ..... A44B 19/34 24/410
  - 5,678,285 A \* 10/1997 Germani ..... A44B 19/08 24/418
  - D509,460 S \* 9/2005 Botzer ..... D11/221
- (Continued)

**OTHER PUBLICATIONS**

Light Weight Tape, first available Dec. 9, 2021, ykkfastening.com, [online], [site visited Jan. 26, 2023], Available from internet URL: <https://www.ykkfastening.com/products/search/detail?pdid1=Light+Weight+Tape> (Year: 2023).\*

*Primary Examiner* — Catherine S Posthauer  
*Assistant Examiner* — Amina Rahman

(74) *Attorney, Agent, or Firm* — Kilpatrick Townsend & Stockton LLP

(57) **CLAIM**

The ornamental design for a chain for slide fastener, as shown and described.

**DESCRIPTION**

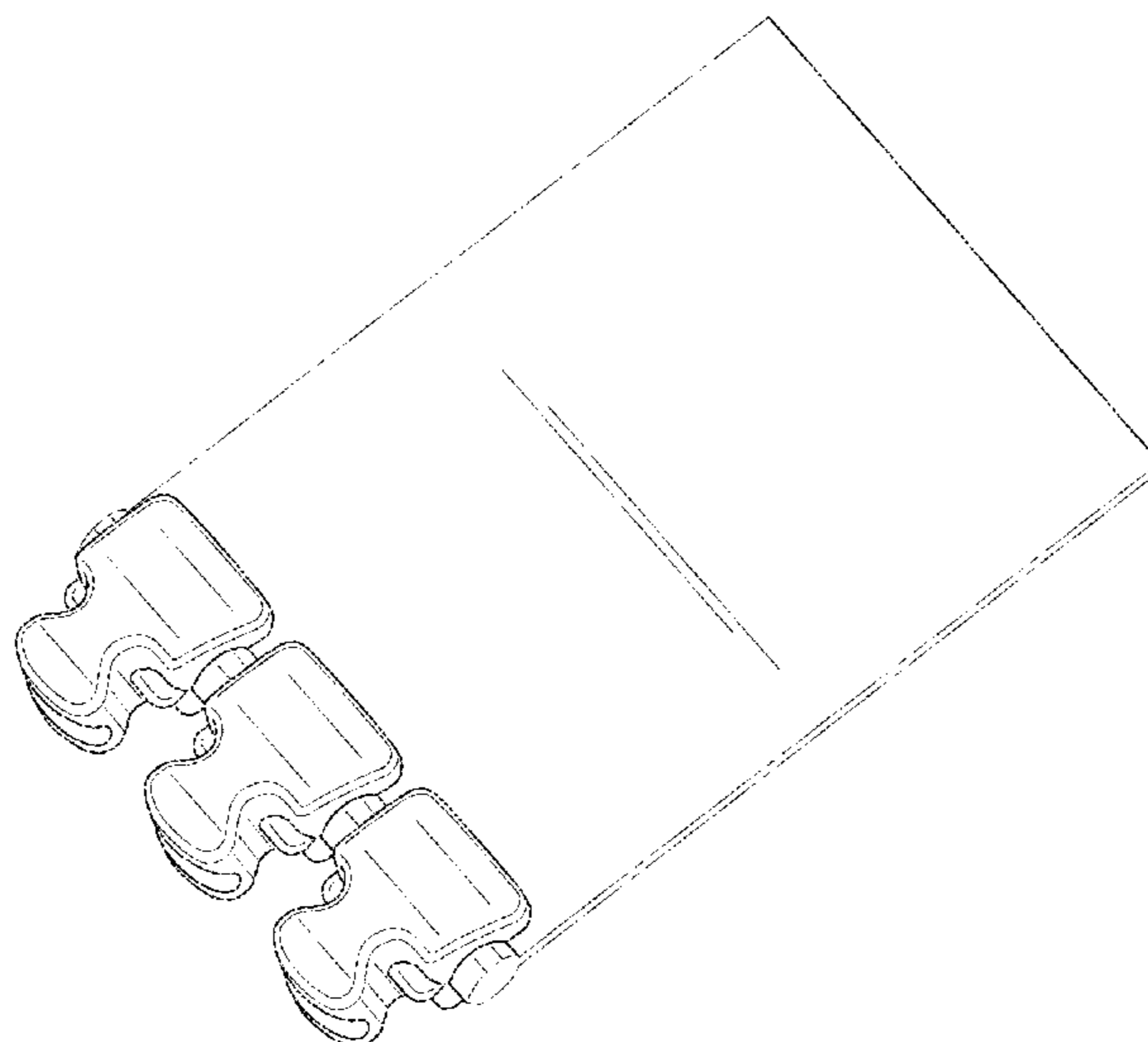
FIG. 1 is a front perspective view of a chain for slide fastener.  
 FIG. 2 is a front view of the chain for slide fastener of FIG. 1.  
 FIG. 3 is a rear view of the chain for slide fastener of FIG. 1.  
 FIG. 4 is a left side view of the chain for slide fastener of FIG. 1.  
 FIG. 5 is a right side view of the chain for slide fastener of FIG. 1.  
 FIG. 6 is a cross-sectional view taken along a line 6-6 in FIG. 2 of the chain for slide fastener of FIG. 1; and,  
 FIG. 7 is a cross-sectional view taken along a line 7-7 in FIG. 2 of the chain for slide fastener of FIG. 1.  
 The dot dashed lines which define the bounds of the claimed design form no part of the claimed design.

**1 Claim, 7 Drawing Sheets**

(56) **References Cited**

**U.S. PATENT DOCUMENTS**

- 2,060,830 A \* 11/1936 Silberman ..... A44B 19/403 D11/221
- 2,103,036 A \* 12/1937 Marinsky ..... A44B 19/262 24/429
- D136,125 S \* 8/1943 Norkin ..... D11/221
- 3,848,298 A \* 11/1974 Frohlich ..... A44B 19/26 24/399
- D274,016 S \* 5/1984 Kasai ..... D11/221



(56)

**References Cited**

## U.S. PATENT DOCUMENTS

D586,693 S \* 2/2009 Stenhall ..... D11/221  
D682,156 S \* 5/2013 Caldwell ..... D11/221  
D726,589 S \* 4/2015 Xie ..... D11/221  
D731,359 S \* 6/2015 Xie ..... D11/221  
D818,394 S \* 5/2018 Hung ..... D11/221  
D820,728 S \* 6/2018 Hung ..... D11/221  
D823,160 S \* 7/2018 Zhang ..... D11/221  
D828,783 S \* 9/2018 Hung ..... D11/221  
D845,831 S \* 4/2019 Hung ..... D11/221  
D893,348 S \* 8/2020 Cheng ..... D11/221  
D901,330 S \* 11/2020 Gorson ..... D11/221  
D927,351 S \* 8/2021 Hung ..... D11/221  
2005/0217086 A1 \* 10/2005 Kusayama ..... A44B 19/403  
24/389  
2006/0130292 A1 \* 6/2006 Kondo ..... A44B 19/08  
24/403  
2008/0040901 A1 \* 2/2008 Himi ..... A44B 19/38  
24/433  
2012/0117765 A1 \* 5/2012 Damon ..... A44B 19/38  
24/406  
2012/0311828 A1 \* 12/2012 Nir ..... B29C 45/14573  
24/389  
2014/0068898 A1 \* 3/2014 Zagaglia ..... A44B 19/06  
24/381  
2017/0113384 A1 \* 4/2017 Cheng ..... A44B 19/34  
2017/0265605 A1 \* 9/2017 Davis ..... B29C 45/14311  
2018/0055155 A1 \* 3/2018 Chen ..... A44B 19/32  
2019/0142116 A1 \* 5/2019 Cheng ..... A44B 19/34  
24/389  
2022/0079302 A1 \* 3/2022 Kim ..... A44B 19/32

\* cited by examiner

FIG. 1

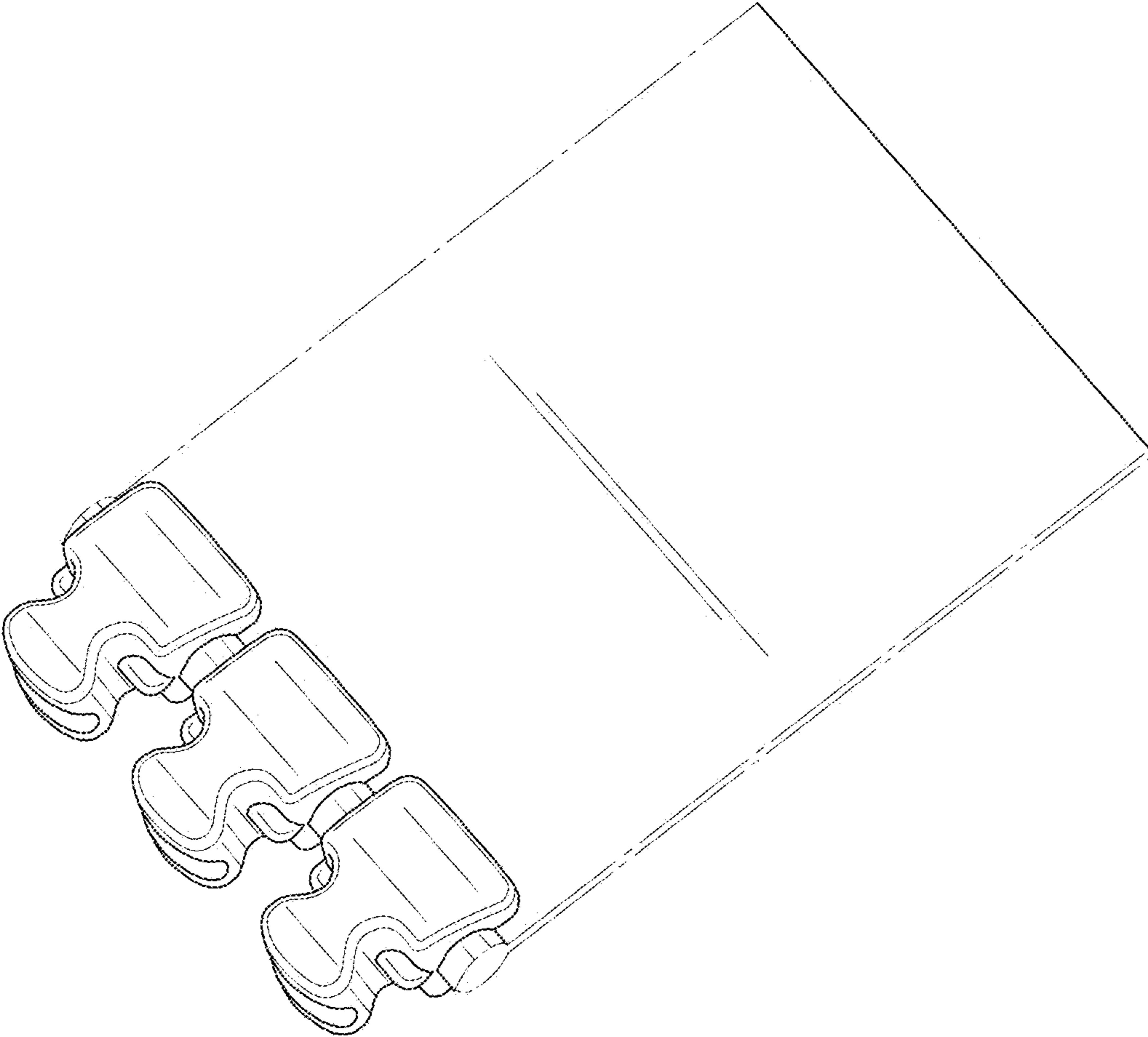


FIG. 2

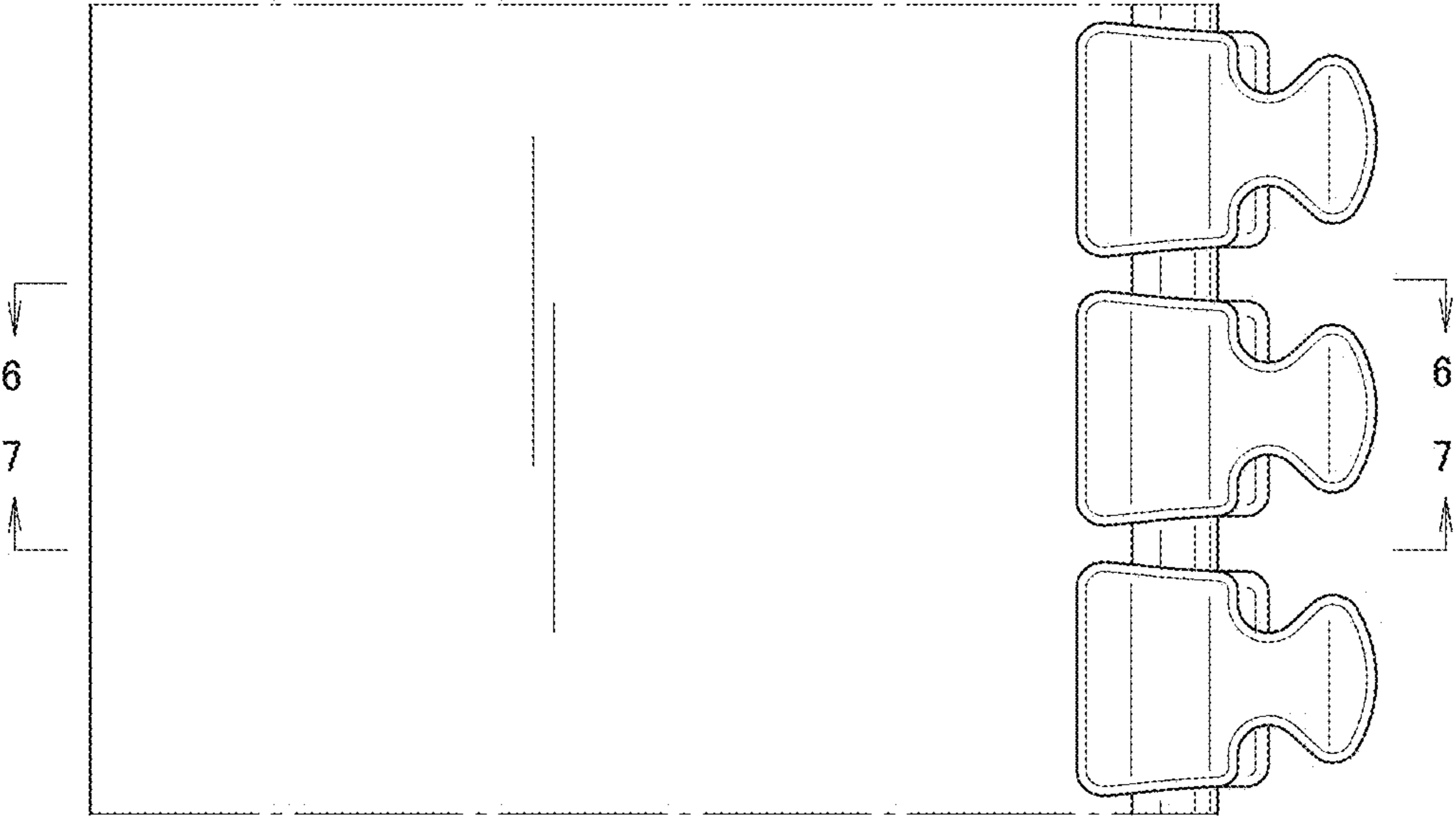


FIG. 3

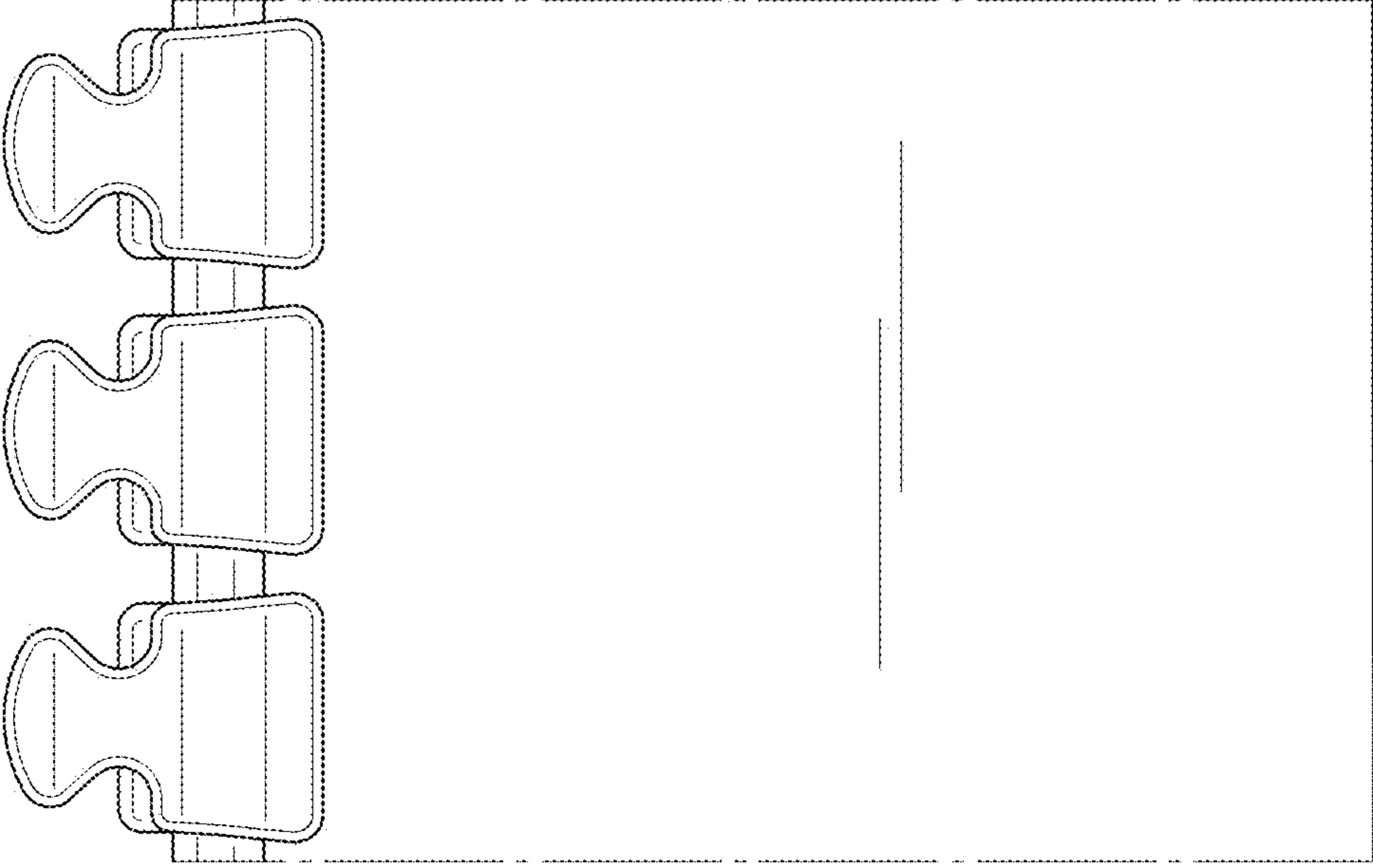


FIG. 4

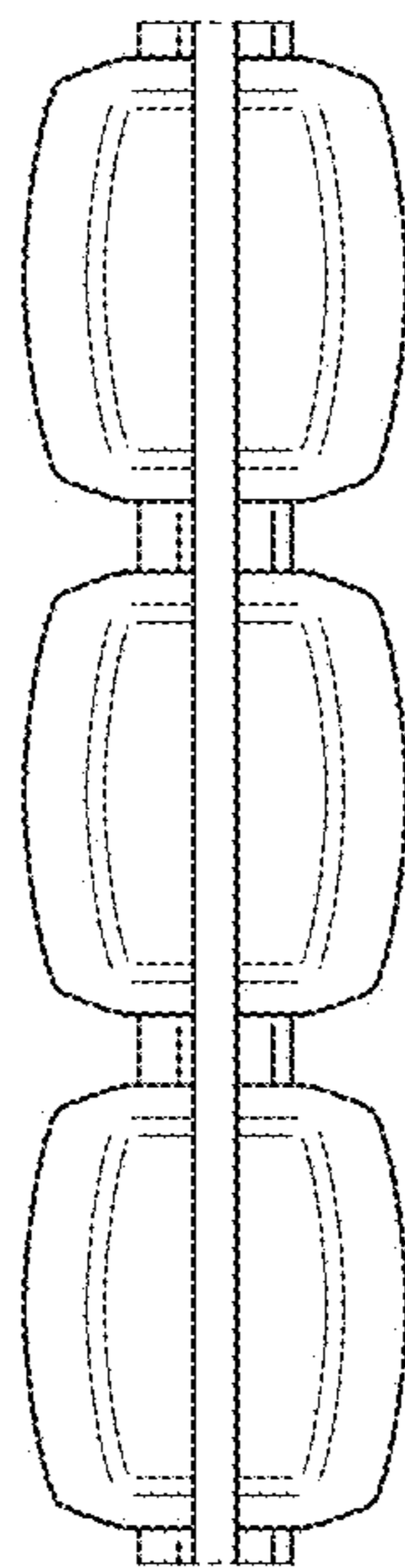


FIG. 5

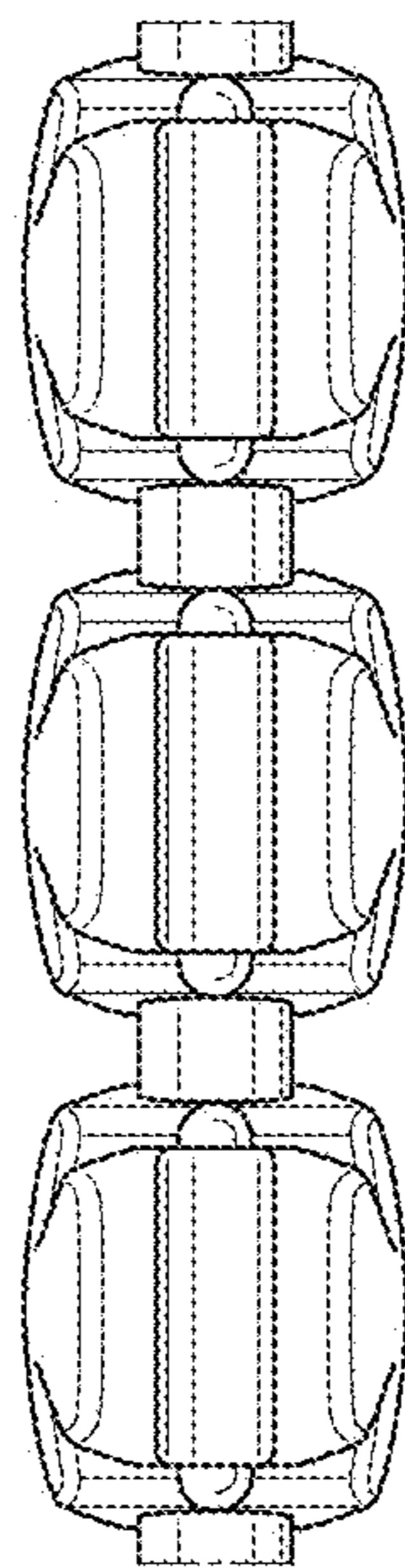


FIG. 6

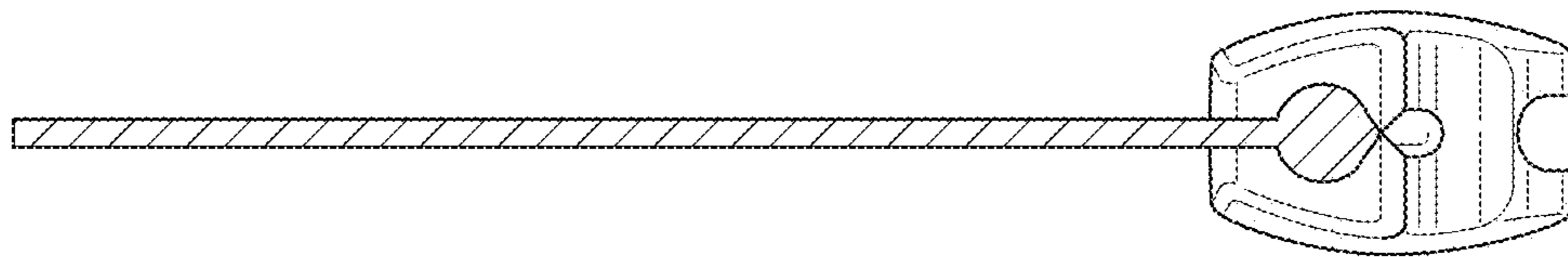




FIG. 7

