



US0D1022742S

(12) **United States Design Patent** (10) **Patent No.:** **US D1,022,742 S**  
**Hu** (45) **Date of Patent:** **\*\* Apr. 16, 2024**

(54) **ELECTRONIC SCALE**

(71) Applicant: **Dongguan Olive Forest Electronic Technology Co., Ltd., Dongguan (CN)**

(72) Inventor: **Huanyou Hu, Guilin (CN)**

(73) Assignee: **Dongguan Olive Forest Electronic Technology Co., Ltd., Dongguan (CN)**

(\*\*) Term: **15 Years**

(21) Appl. No.: **29/845,990**

(22) Filed: **Jul. 12, 2022**

(30) **Foreign Application Priority Data**

Jan. 19, 2022 (CN) ..... 202230035534.3

(51) **LOC (14) Cl.** ..... **10-04**

(52) **U.S. Cl.**  
USPC ..... **D10/91**

(58) **Field of Classification Search**  
USPC ..... D10/91, 92  
CPC ..... G01G 19/44; G01G 19/445; G01G 19/46;  
G01G 19/48; G01G 19/50; G01G 21/28;  
G01G 21/44; G01G 21/283; G01G  
21/286; G01G 21/30; G01G 23/37; G01G  
23/3728; G01G 23/3735; A61B 5/053;  
A61B 5/4872; A61B 5/0537; A61B  
5/4869; A61B 5/6825; A61B 5/6829;  
A61B 5/7445

See application file for complete search history.

(56) **References Cited**

U.S. PATENT DOCUMENTS

D399,538 S *	10/1998	Mellander .....	D21/365
D520,889 S *	5/2006	Kesselman .....	D10/91
D679,208 S *	4/2013	Depauw .....	D10/91
D926,060 S *	7/2021	Chavara .....	D10/91
D945,895 S *	3/2022	Yu .....	D10/91
D959,308 S *	8/2022	Zhou .....	D10/91
D983,685 S *	4/2023	Yu .....	D10/91
D983,686 S *	4/2023	Halskov .....	D10/91
D1,002,410 S *	10/2023	Wang .....	D10/91

\* cited by examiner

*Primary Examiner* — Antoine Duval Davis

(74) *Attorney, Agent, or Firm* — Jeenam Park

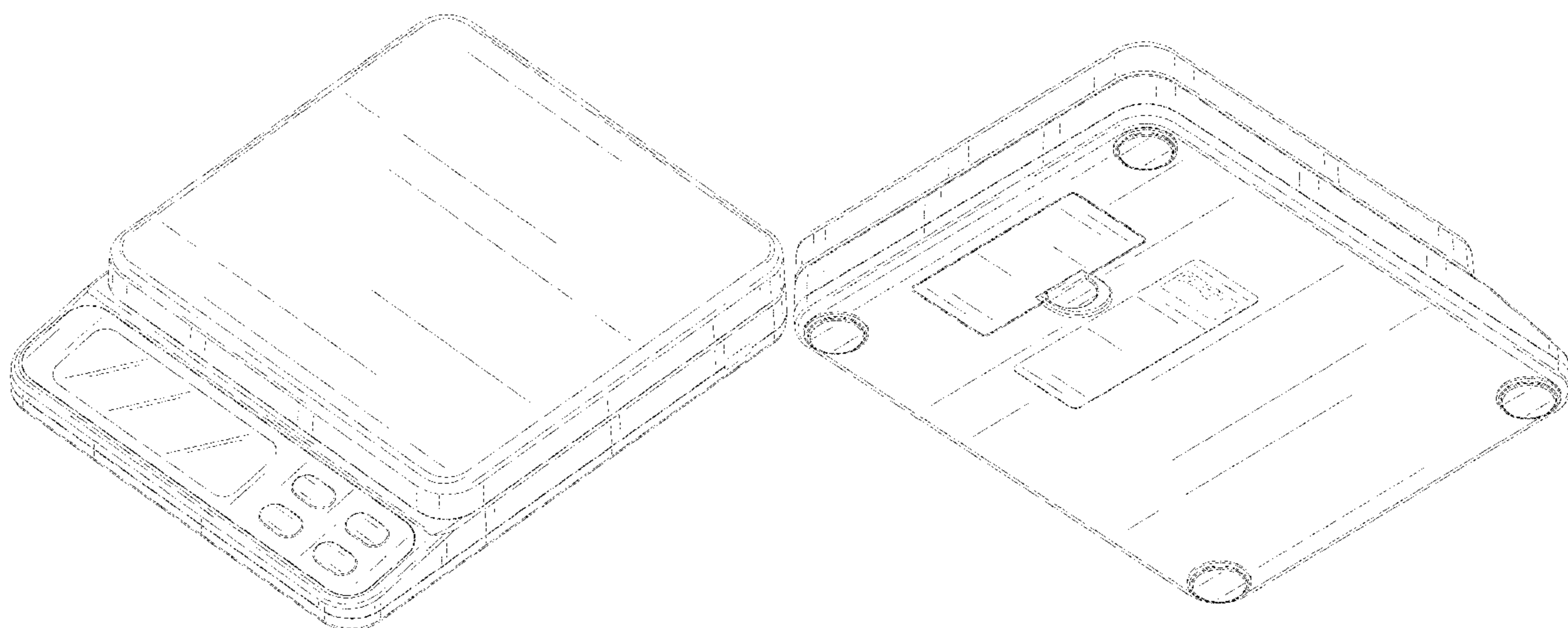
(57) **CLAIM**

The ornamental design for an electronic scale, as shown and described.

**DESCRIPTION**

FIG. 1 is a perspective view of an electronic scale, showing my new design;  
FIG. 2 is another perspective view thereof;  
FIG. 3 is a perspective view with the lid open thereof;  
FIG. 4 is a front view thereof;  
FIG. 5 is a rear view thereof;  
FIG. 6 is a left side view thereof;  
FIG. 7 is a right side view thereof;  
FIG. 8 is a top plan view thereof; and,  
FIG. 9 is a bottom plan view thereof.  
The broken lines shown in the drawings illustrate portions of the electronic scale that form no part of the claimed design.

**1 Claim, 9 Drawing Sheets**



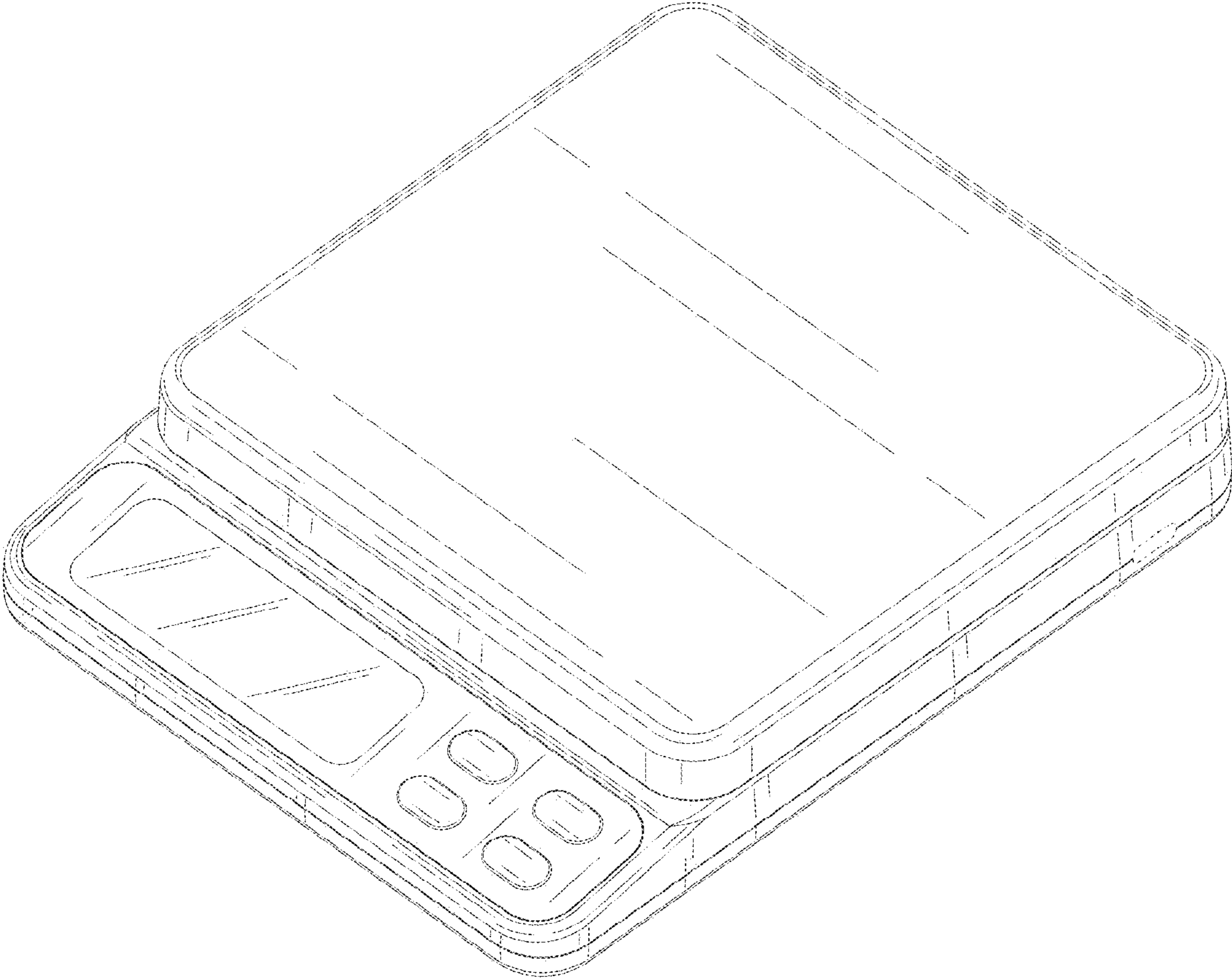


FIG. 1

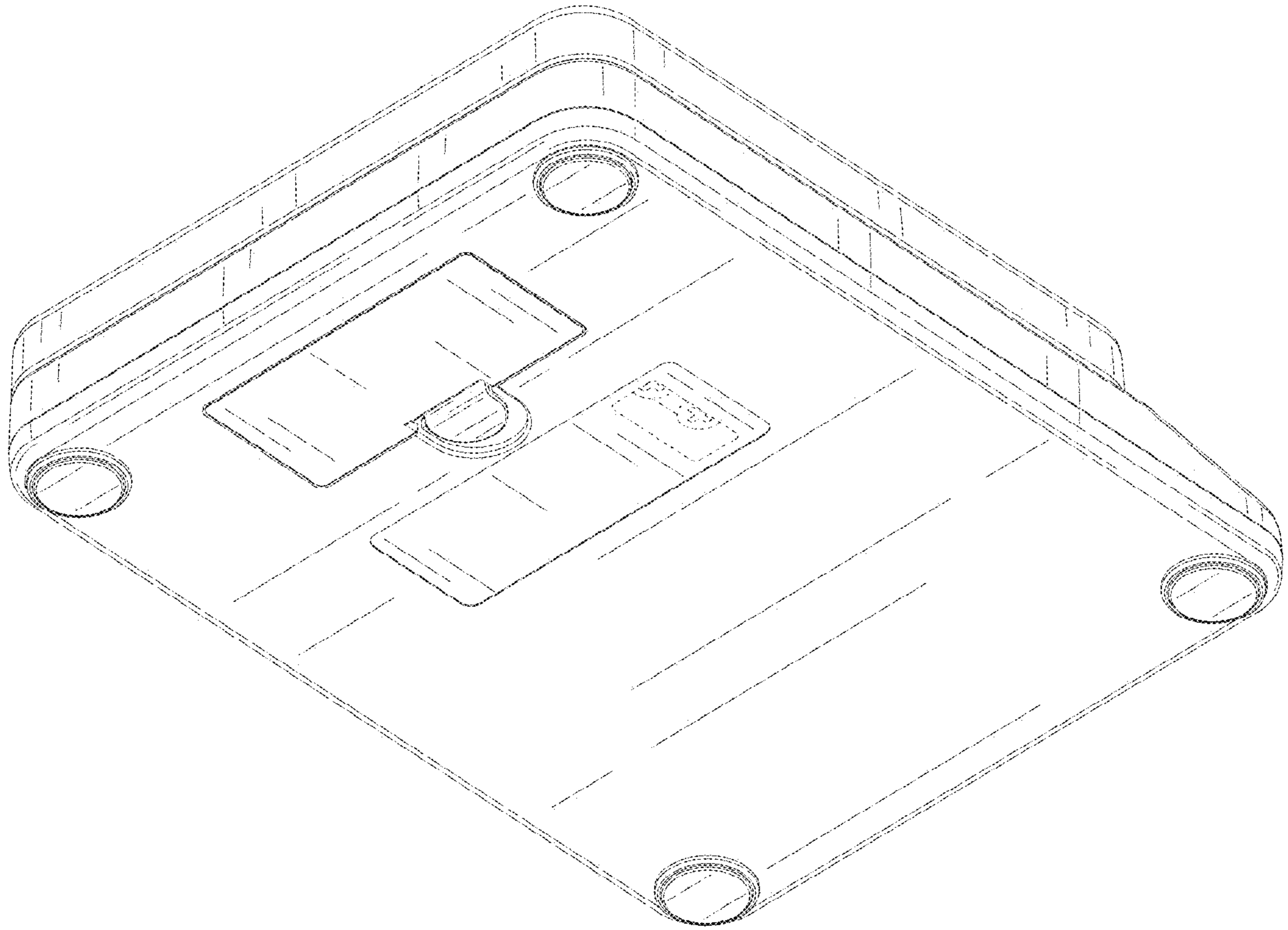


FIG. 2



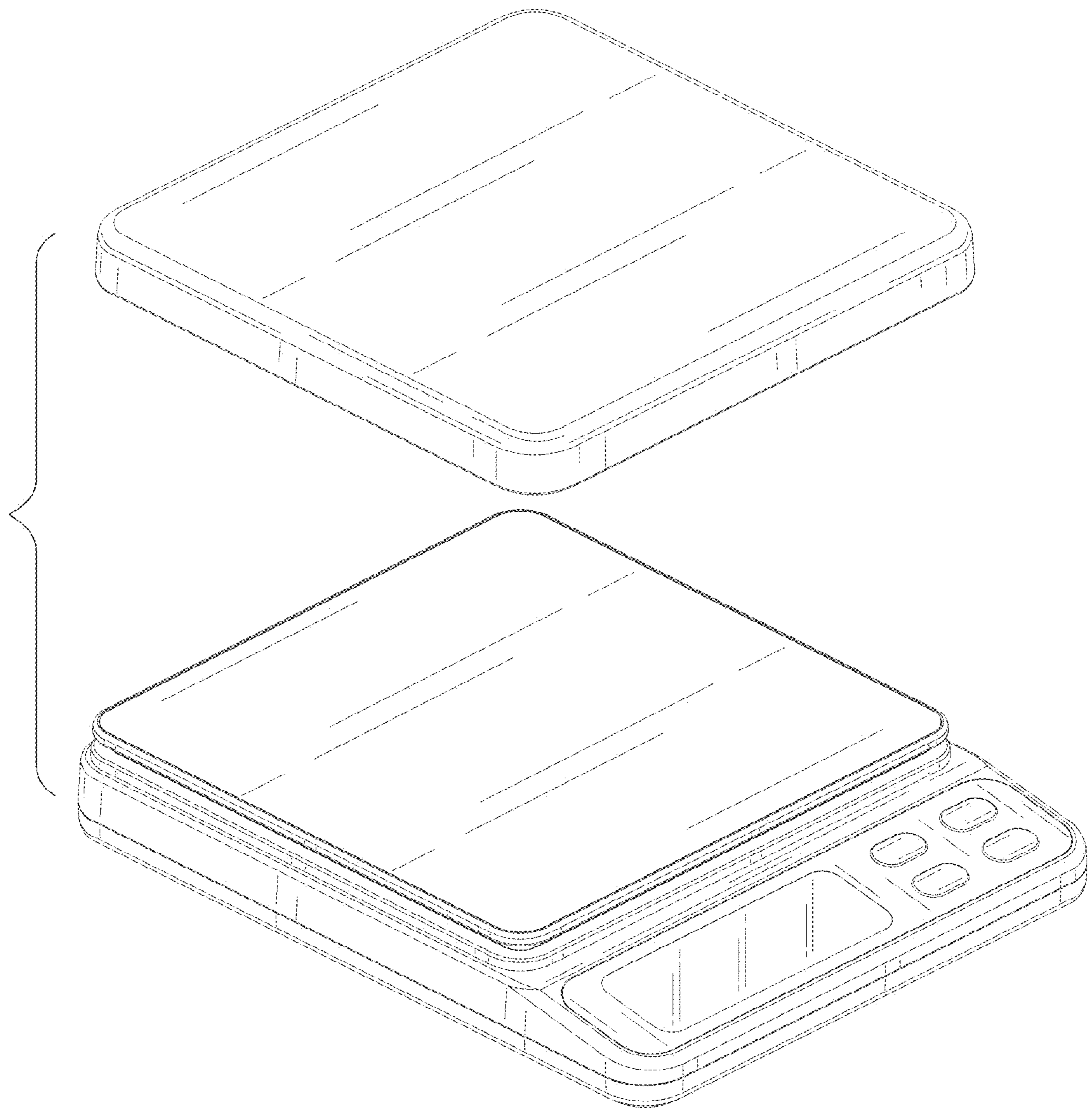


FIG. 3



FIG. 4

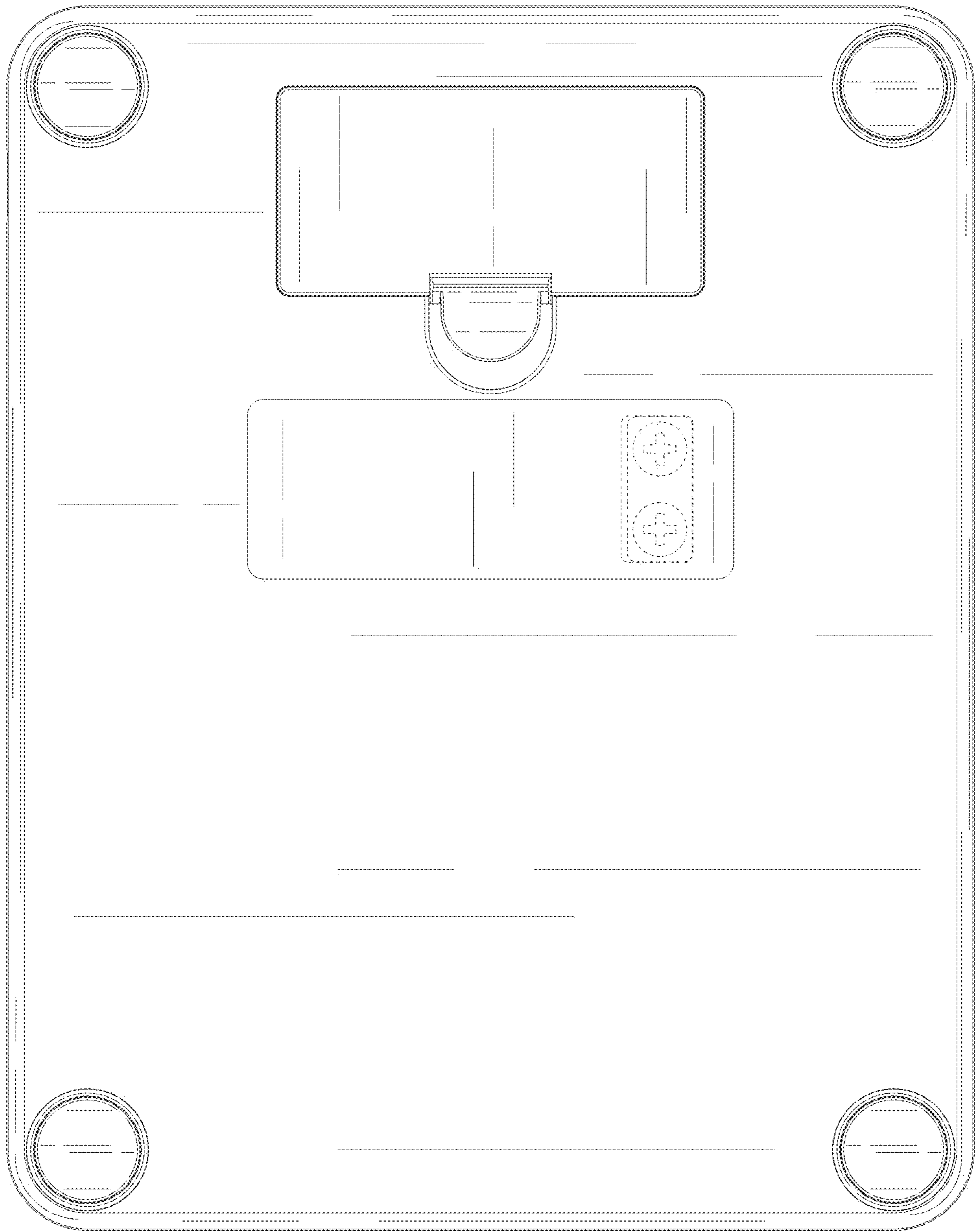


FIG. 5

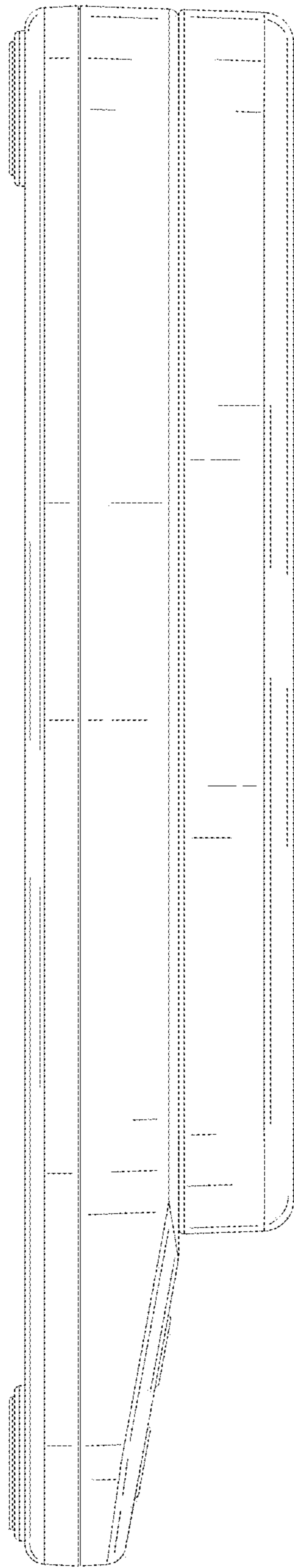


FIG. 6

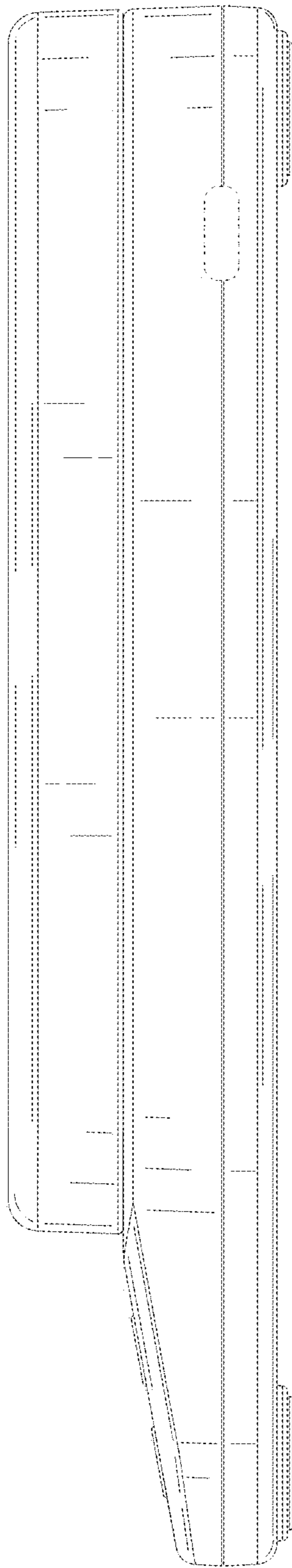


FIG. 7



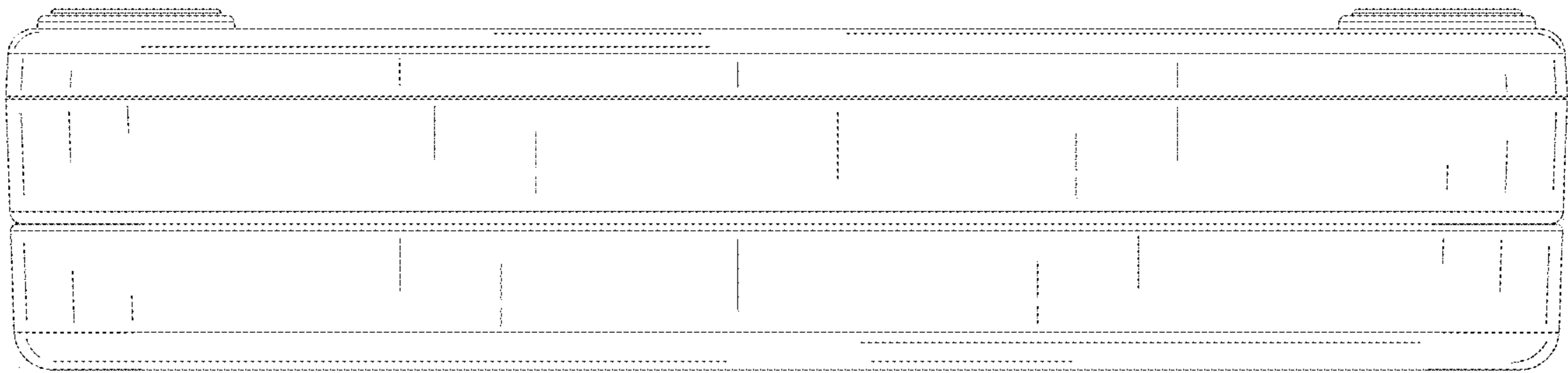


FIG. 8

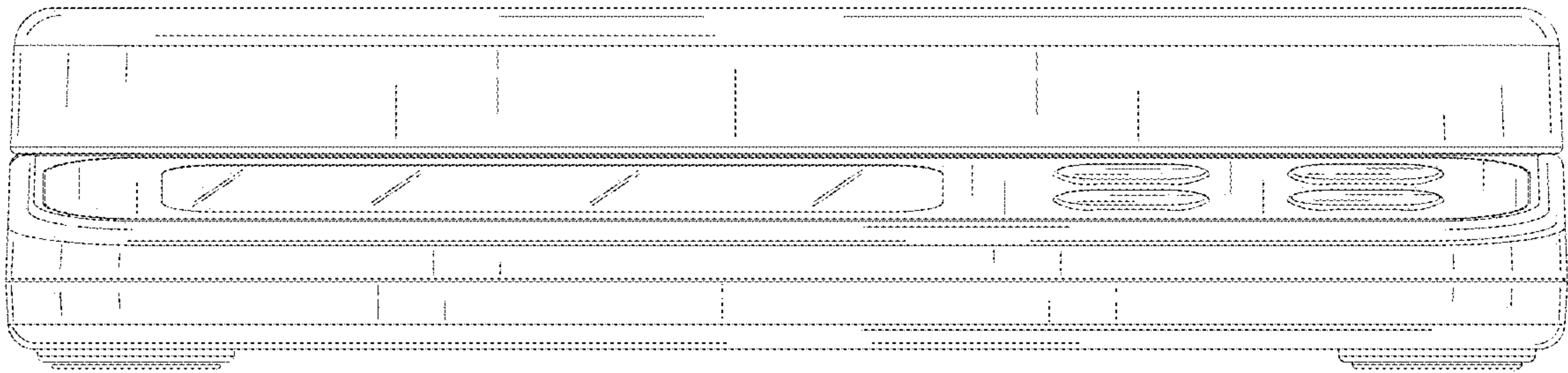


FIG. 9