



US0D1022734S

(12) **United States Design Patent** (10) **Patent No.:** **US D1,022,734 S**
Bae et al. (45) **Date of Patent:** **** Apr. 16, 2024**

(54) **DATA LOGGER**

(71) Applicant: **Willog Co., Ltd.**, Seoul (KR)

(72) Inventors: **Sung Hoon Bae**, Seoul (KR); **Ji Hyun Yun**, Pyeongtaek-si (KR)

(73) Assignee: **Willog Co., Ltd.**, Seoul (KR)

(**) Term: **15 Years**

(21) Appl. No.: **29/816,369**

(22) Filed: **Nov. 22, 2021**

(51) **LOC (14) Cl.** **10-04**

(52) **U.S. Cl.**
USPC **D10/78**

(58) **Field of Classification Search**
USPC D10/75-79; D14/355-359, 385
CPC G08B 5/00; G08B 21/18; G08B 13/08;
G08B 13/1481; G01D 9/005; G01D
7/005; G06K 19/06; H04W 4/80; H04W
4/20; H04W 4/38; H04W 4/021; H04W
4/70; H04L 67/306; H04L 67/52; H04L
67/10; H04L 67/535; H04L 67/04; H04L
67/563; H04L 67/12; G07C 9/00896;
G07C 2009/0092; B60R 25/1004; B60R
25/33; B60R 25/102; E05G 1/10; E05G
1/005

See application file for complete search history.

(56) **References Cited**

U.S. PATENT DOCUMENTS

D290,586 S *	6/1987	Moore	D10/78
D637,508 S *	5/2011	Ueda	D10/98
D659,036 S *	5/2012	Madsen	D10/70
D819,033 S *	5/2018	Duran	D14/385
D917,439 S *	4/2021	Mochizuki	D14/240
D929,358 S *	8/2021	Peled	D10/53
D930,040 S *	9/2021	Shih	D14/203.3
D953,894 S *	6/2022	Li	D14/218
D979,436 S *	2/2023	Boucard	D10/70

D983,177 S *	4/2023	Boucard	D14/240
2003/0212996 A1 *	11/2003	Wolzien	G01C 21/3679 348/E7.071
2004/0161016 A1 *	8/2004	Laycock	G01K 1/022 374/208

(Continued)

FOREIGN PATENT DOCUMENTS

CN	304073169	*	9/2016
CN	304811664	*	12/2017
CN	304902802	*	6/2018

(Continued)

OTHER PUBLICATIONS

Senonics Minnow, Direct USB Temperature and Humidity Data Logger, Date first available Jan. 16, 2015, [online] retrieved Jul. 14, 2023, available from <https://www.amazon.com/DP/B07VFYL83L> (Year: 2015).*

(Continued)

Primary Examiner — Keli L Hill
Assistant Examiner — Sara S Sahneh
(74) *Attorney, Agent, or Firm* — Revolution IP, PLLC

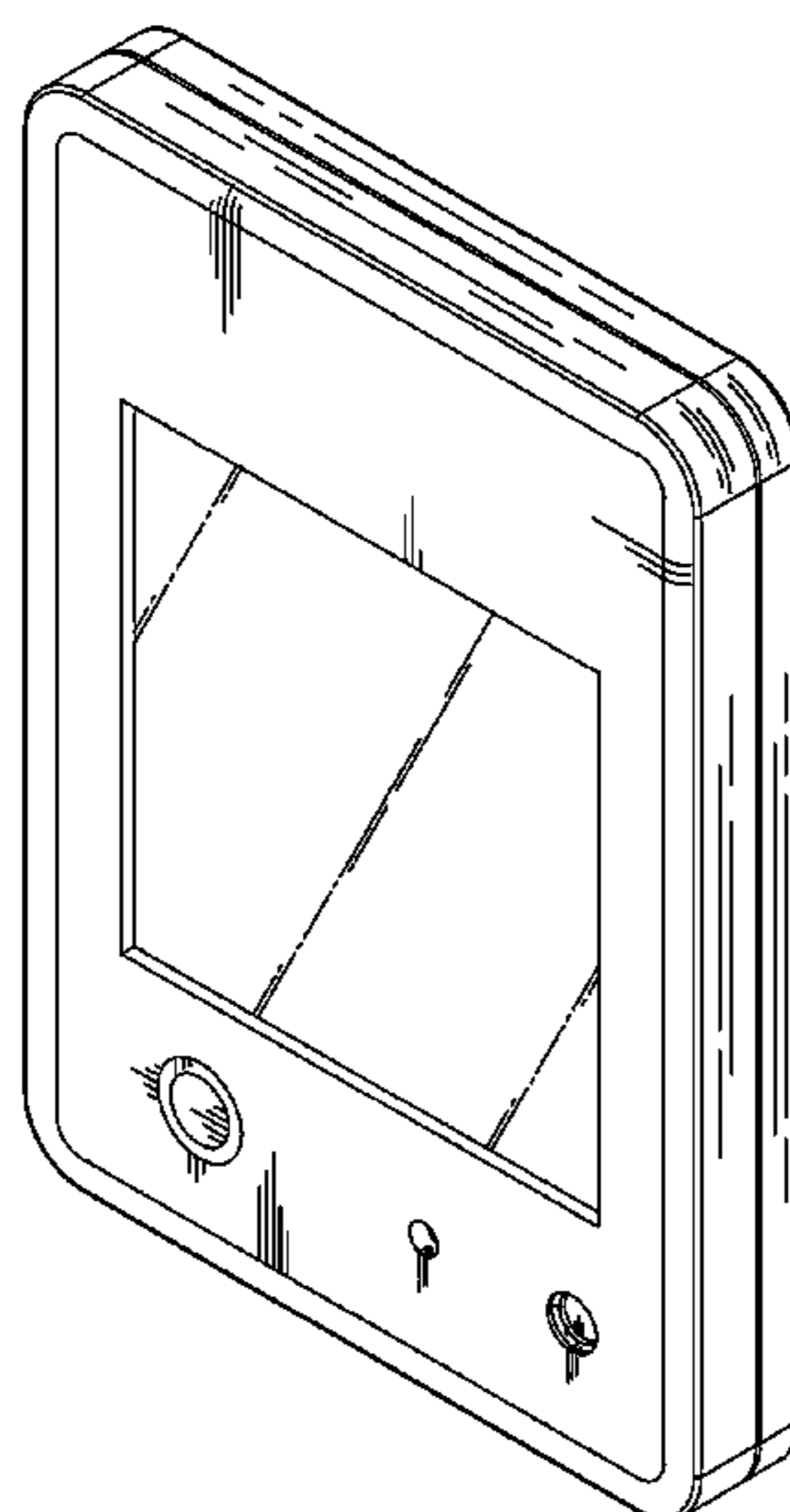
(57) **CLAIM**

The ornamental design for a data logger, as shown and described.

DESCRIPTION

FIG. 1 is a perspective view of a data logger showing the claimed design;
FIG. 2 is a front view thereof;
FIG. 3 is a rear view thereof;
FIG. 4 is a left side view thereof;
FIG. 5 is a right side view thereof;
FIG. 6 is a top view thereof; and,
FIG. 7 is a bottom view thereof.
The broken lines in FIG. 3 depict portions of the data logger that form no part of the claimed design.

1 Claim, 6 Drawing Sheets



(56)

References Cited

U.S. PATENT DOCUMENTS

2022/0286760 A1* 9/2022 Kim H04W 4/02

FOREIGN PATENT DOCUMENTS

CN	305059502	*	11/2018
CN	305075326	*	11/2018
CN	306230729	*	6/2020
KR	301157649.0000	*	3/2021

OTHER PUBLICATIONS

Hobo® Temp, MX100 Temp Logger Manual, Date first available Sep. 23, 2022, [online] retrieved Jul. 14, 2023, available from <https://www.onsetcomp.com/sites/default/files/2022-11/20813-J%20MX100%20Manual.pdf> (Year: 2022).*

Dataq Instrument, EL-WiFi-TC Wireless Thermocouple Temperature Data Logger, Date first available Mar. 24, 2017, [online] retrieved Jul. 12, 2023, available from <https://www.dataq.com/resources/pdfs/datasheets/el-wifi-tc-data-logger.pdf> (Year: 2017).*

* cited by examiner

FIG. 1

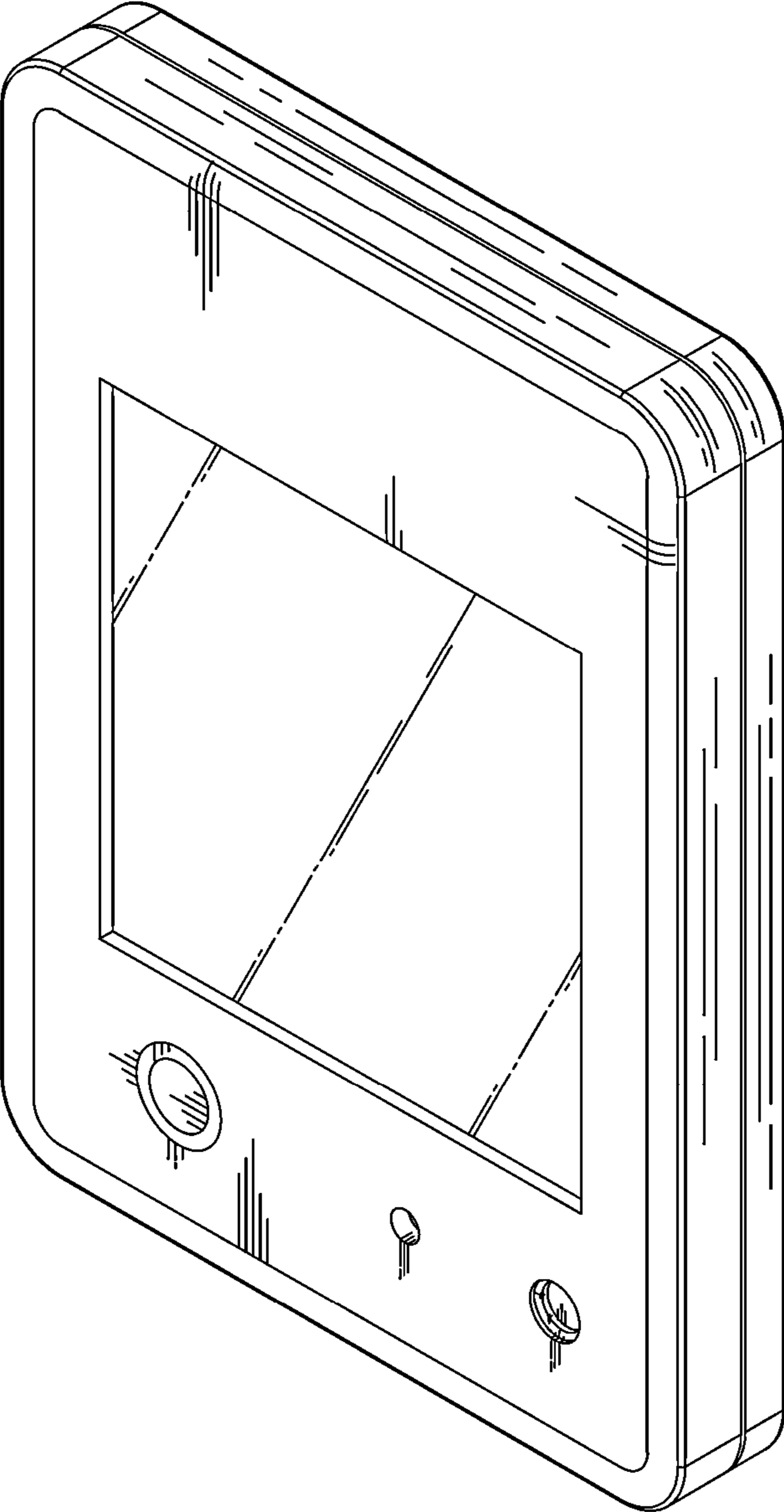


FIG. 2

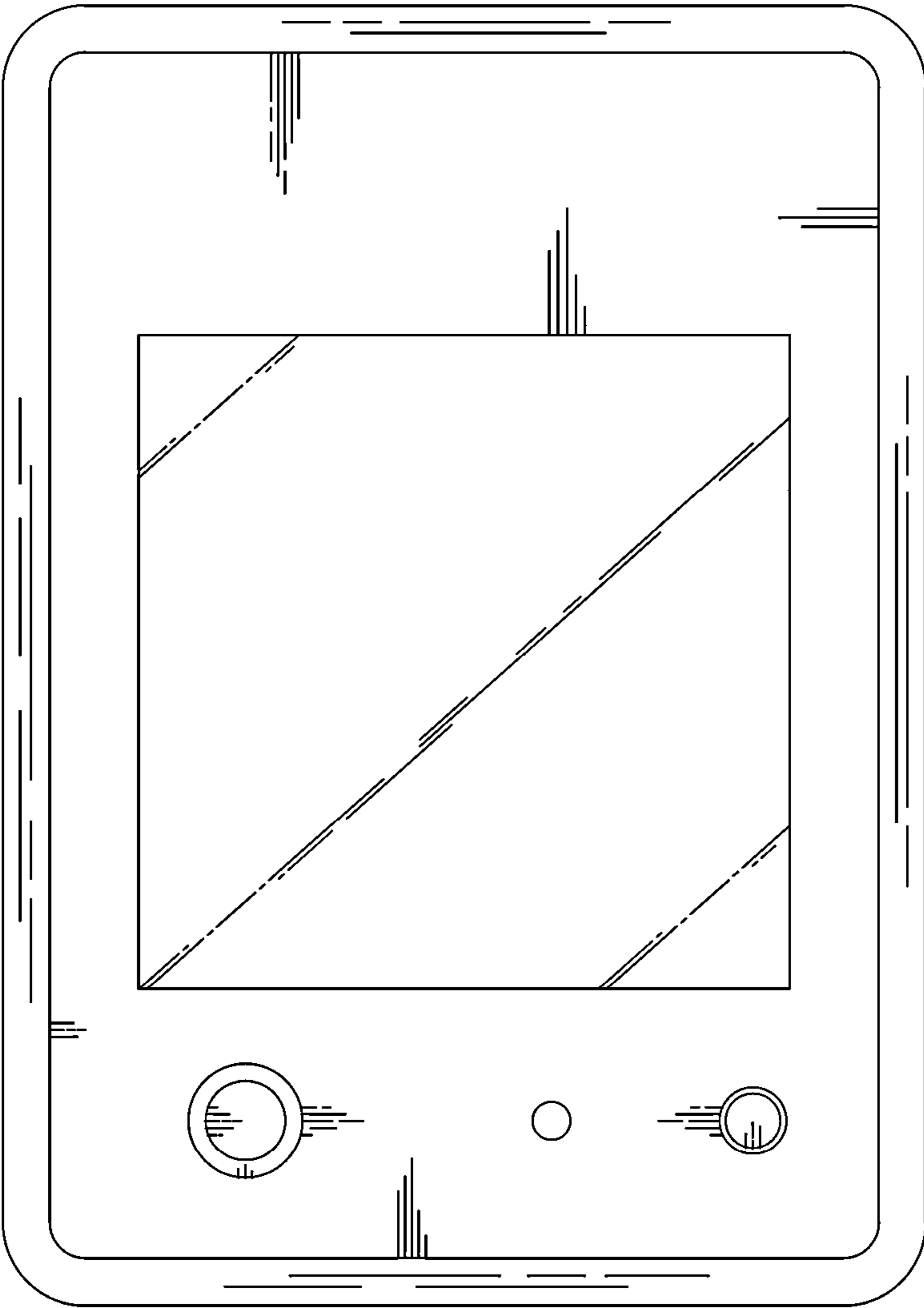


FIG. 3

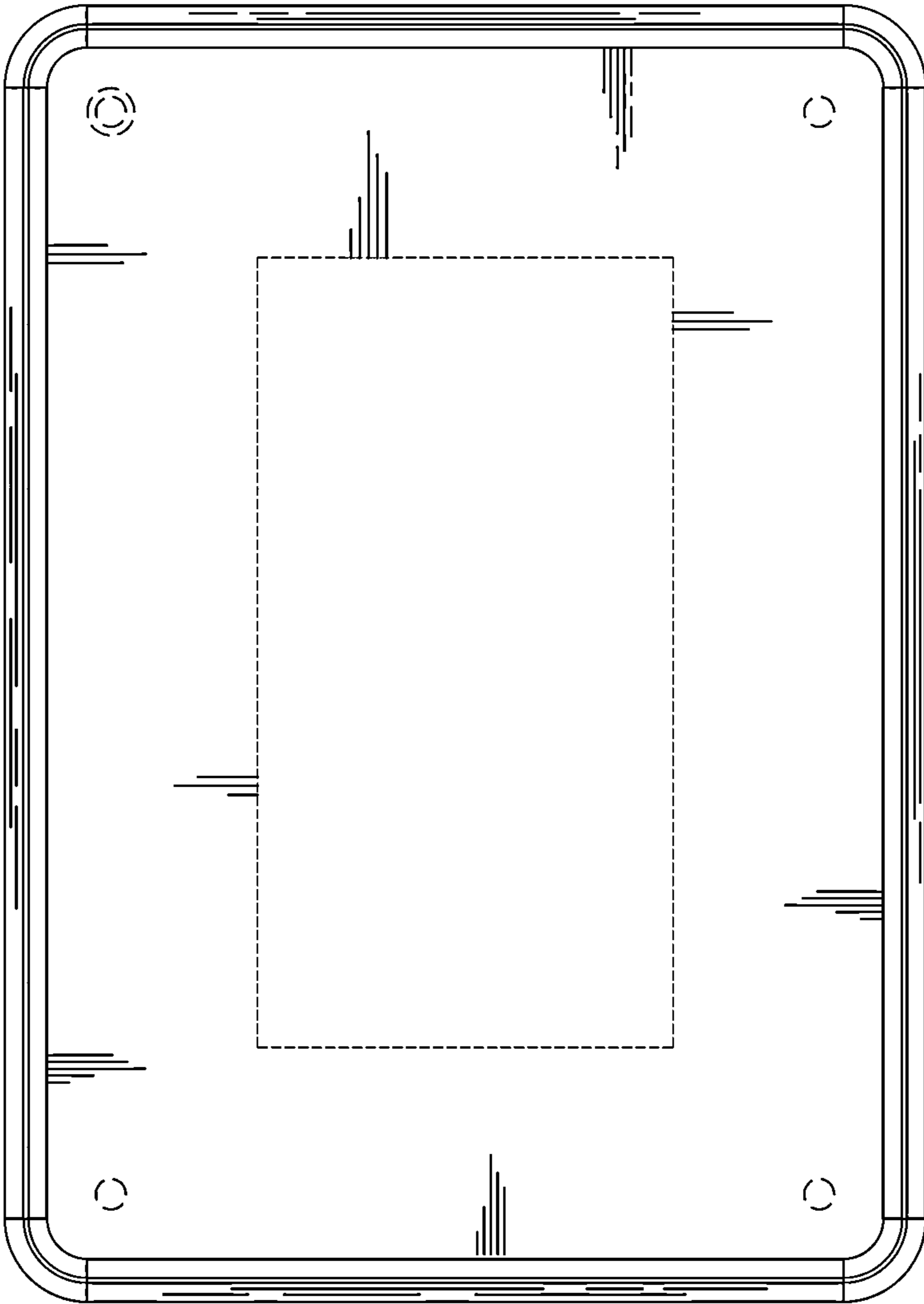


FIG. 4

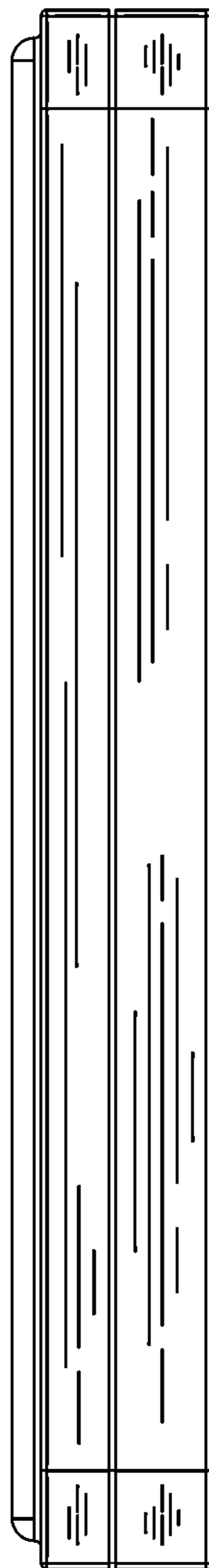


FIG. 5

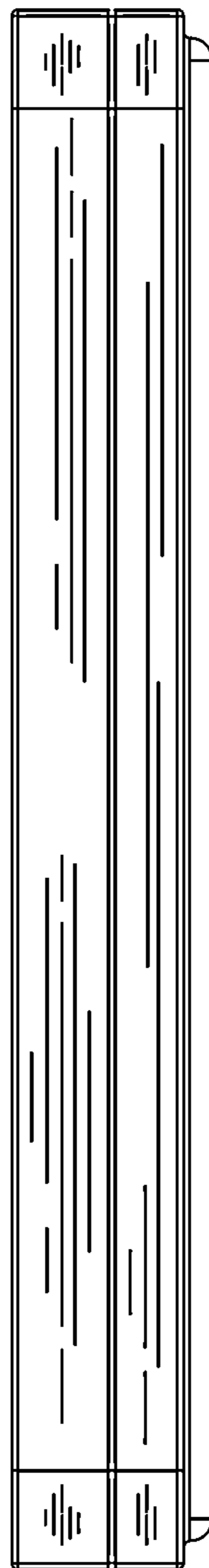


FIG. 6

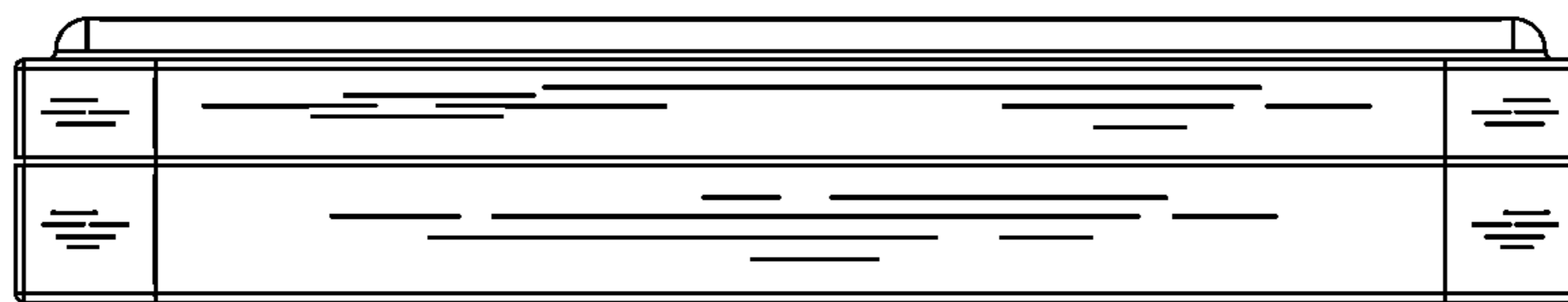


FIG. 7

