



US0D1022720S

(12) **United States Design Patent**
Zhang

(10) **Patent No.:** **US D1,022,720 S**
(45) **Date of Patent:** **** Apr. 16, 2024**

- (54) **ARTICULATING BORESCOPE**
- (71) Applicant: **Ling Zhang**, Guangdong (CN)
- (72) Inventor: **Ling Zhang**, Guangdong (CN)
- (**) Term: **15 Years**
- (21) Appl. No.: **29/845,633**
- (22) Filed: **Jul. 8, 2022**
- (51) **LOC (14) Cl.** **22-01**
- (52) **U.S. Cl.**
USPC **D16/130; D10/78; D24/138**
- (58) **Field of Classification Search**
USPC **D10/78; D16/130, 200, 202, 203; D24/138**

(Continued)

(56) **References Cited**

U.S. PATENT DOCUMENTS

- D811,459 S * 2/2018 Fang D16/130
- 10,881,269 B2 * 1/2021 Tomii A61B 1/00052

(Continued)

Primary Examiner — Antoine Duval Davis
(74) *Attorney, Agent, or Firm* — ScienBiziP, P.C.

(57) **CLAIM**

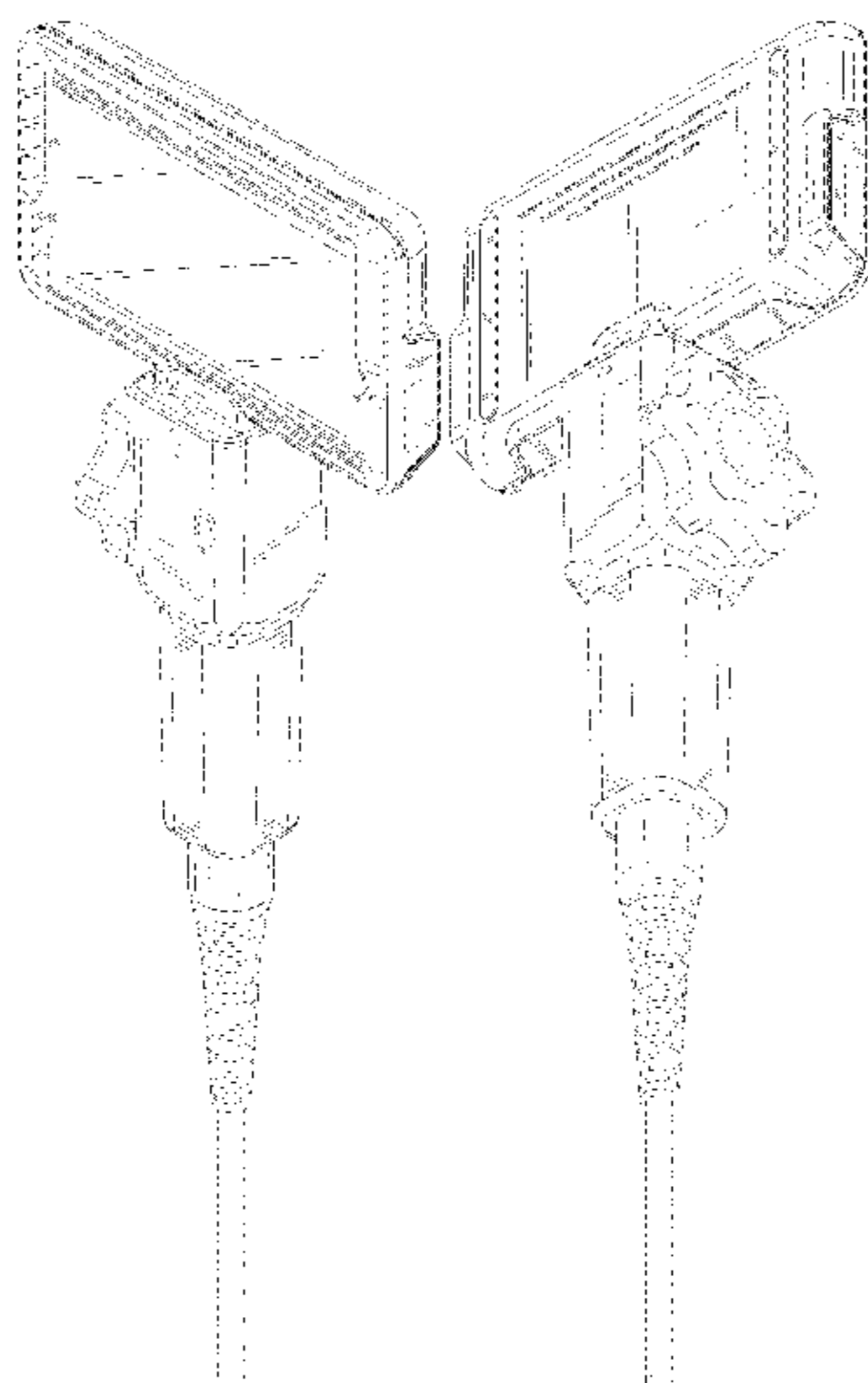
The ornamental design for an articulating borescope, as shown and described.

DESCRIPTION

- FIG. 1 is a front, right and top perspective view of an articulating borescope, showing my design.
- FIG. 2 is a rear, left and bottom perspective view thereof.
- FIG. 3 is a front elevation view thereof.
- FIG. 4 is a rear elevation view thereof.
- FIG. 5 is a left side elevation view thereof.
- FIG. 6 is a right side elevation view thereof.
- FIG. 7 is a top plan view thereof.

- FIG. 8 is a bottom plan view thereof.
 - FIG. 9 is a front, right and top perspective view of the displayer of the articulating borescope.
 - FIG. 10 is a rear, left and bottom perspective view of the displayer of the articulating borescope of FIG. 9.
 - FIG. 11 is a front elevation view of the displayer of the articulating borescope of FIG. 9.
 - FIG. 12 is a rear elevation view of the displayer of the articulating borescope of FIG. 9.
 - FIG. 13 is a left side elevation view of the displayer of the articulating borescope of FIG. 9.
 - FIG. 14 is a right side elevation view of the displayer of the articulating borescope of FIG. 9.
 - FIG. 15 is a top plan view of the displayer of the articulating borescope of FIG. 9.
 - FIG. 16 is a bottom plan view of the displayer of the articulating borescope of FIG. 9.
 - FIG. 17 is a partial enlarged view of an area labeled 17 in FIG. 10.
 - FIG. 18 is a front, right and top perspective view of the handle of the articulating borescope.
 - FIG. 19 is a rear, left and bottom perspective view of the handle of the articulating borescope of FIG. 18.
 - FIG. 20 is a front elevation view of the handle of the articulating borescope of FIG. 18.
 - FIG. 21 is a rear elevation view of the handle of the articulating borescope of FIG. 18.
 - FIG. 22 is a left side elevation view of the handle of the articulating borescope of FIG. 18.
 - FIG. 23 is a right side elevation view of the handle of the articulating borescope of FIG. 18.
 - FIG. 24 is a top plan view of the handle of the articulating borescope of FIG. 18; and,
 - FIG. 25 is a bottom plan view of the handle of the articulating borescope of FIG. 18.
- The broken lines shown in the drawings are included for the purpose of illustrating portions of the articulating borescope that form no part of the claimed design. In addition, the dot-dash broken lines in FIGS. 10 and 17 depict the boundaries of the enlargements that form no part of the claimed design.

1 Claim, 25 Drawing Sheets



(58) **Field of Classification Search**

CPC G02B 23/16; G02B 23/24; G02B 23/2476;
G02B 23/26

See application file for complete search history.

(56) **References Cited**

U.S. PATENT DOCUMENTS

11,534,050 B2 * 12/2022 Onishi A61B 1/00048
D989,148 S * 6/2023 Sun D16/130

* cited by examiner

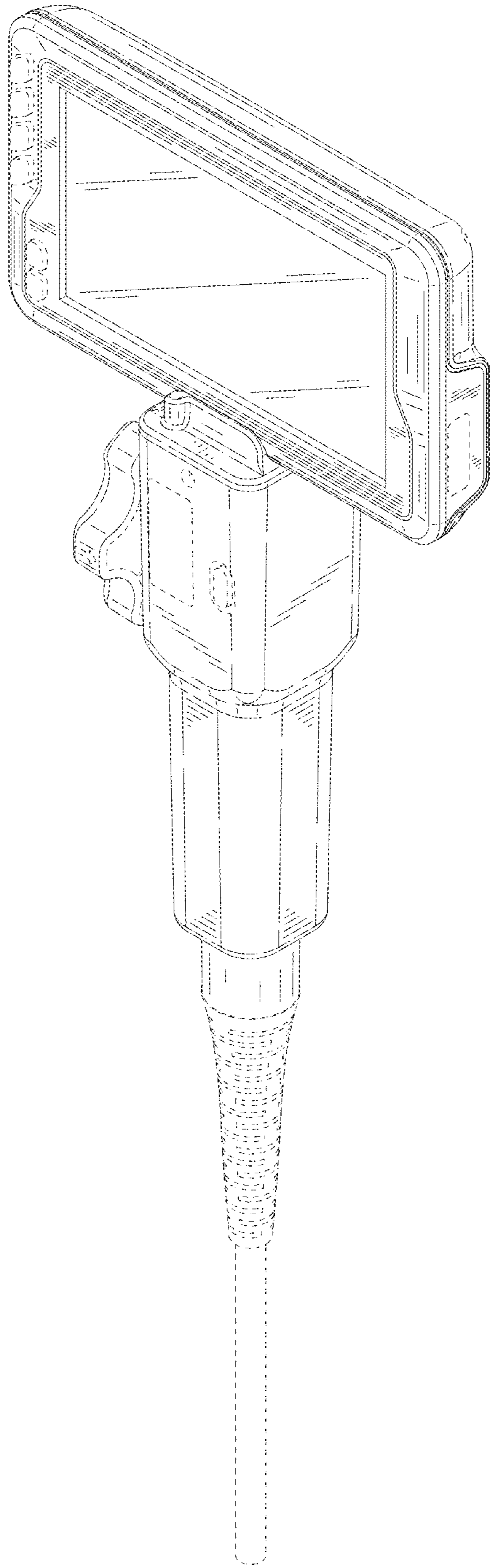


FIG. 1

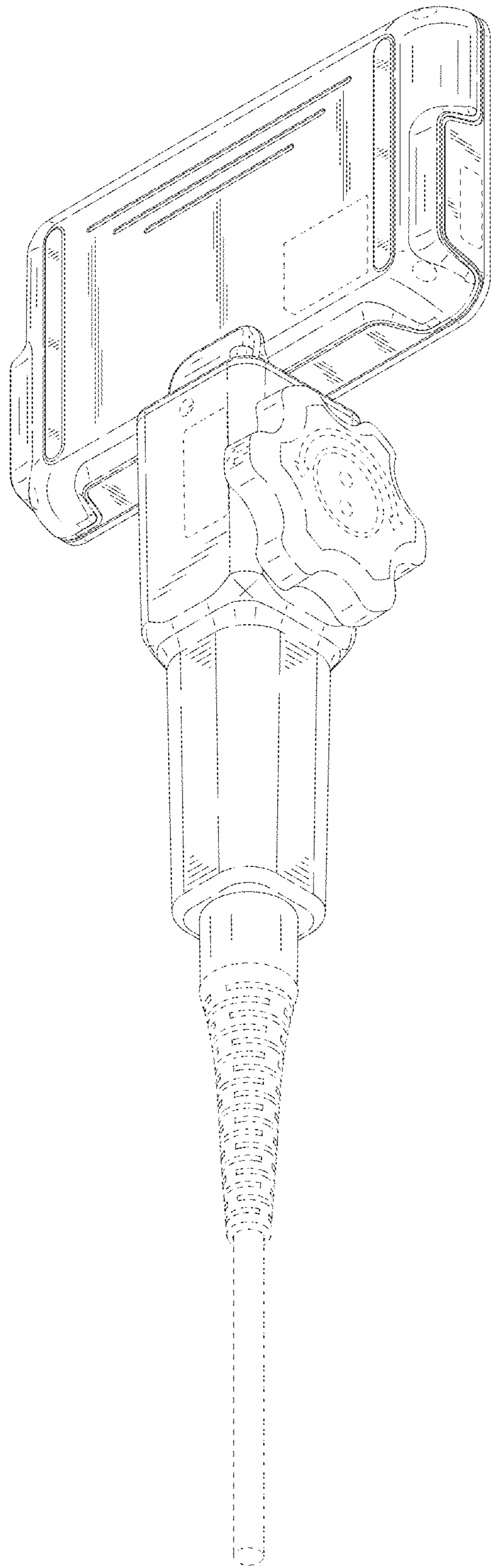


FIG. 2

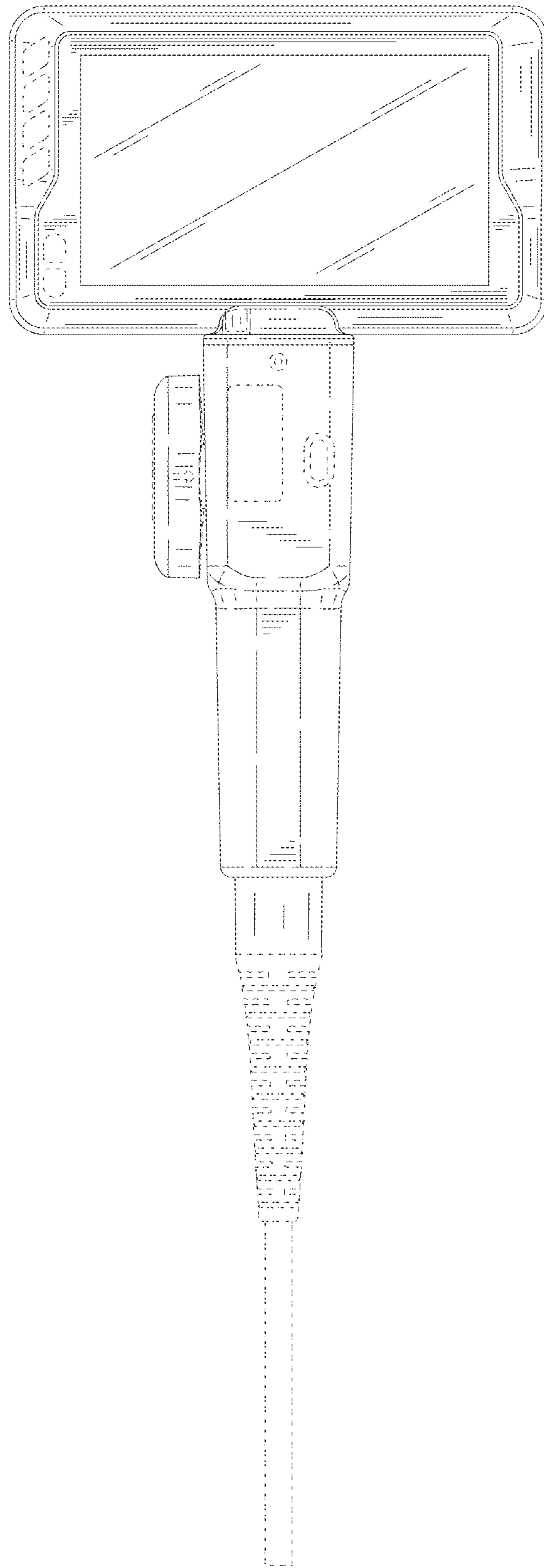


FIG. 3

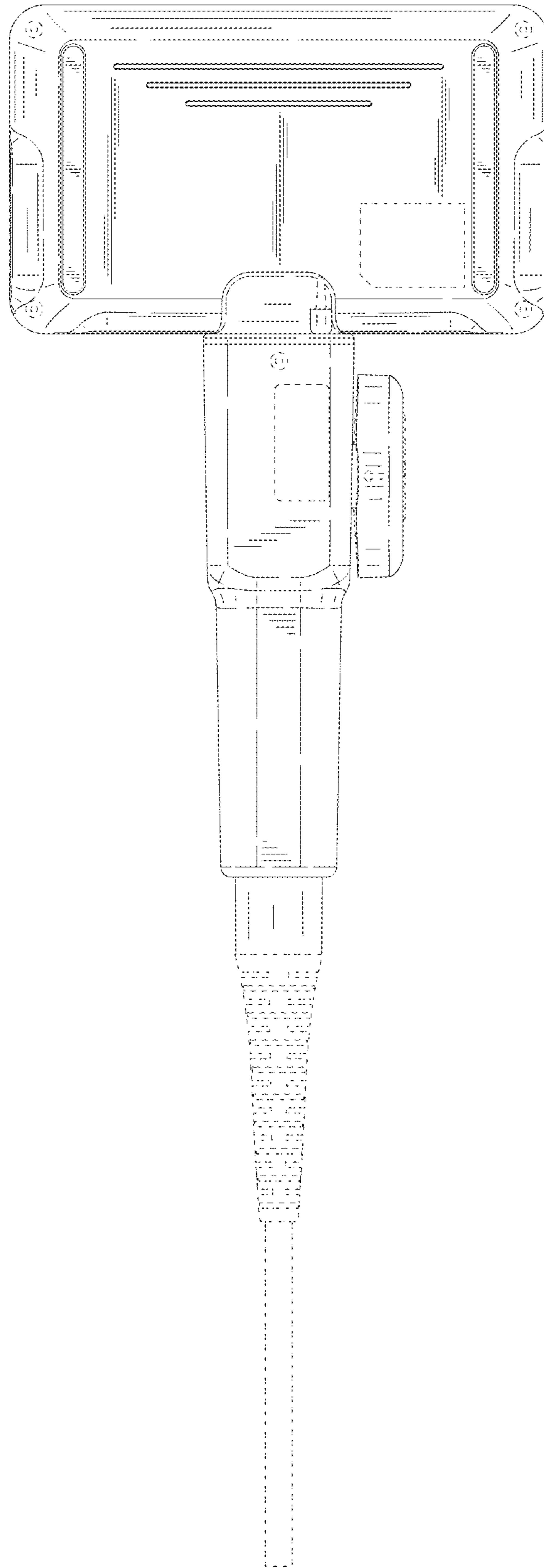


FIG. 4

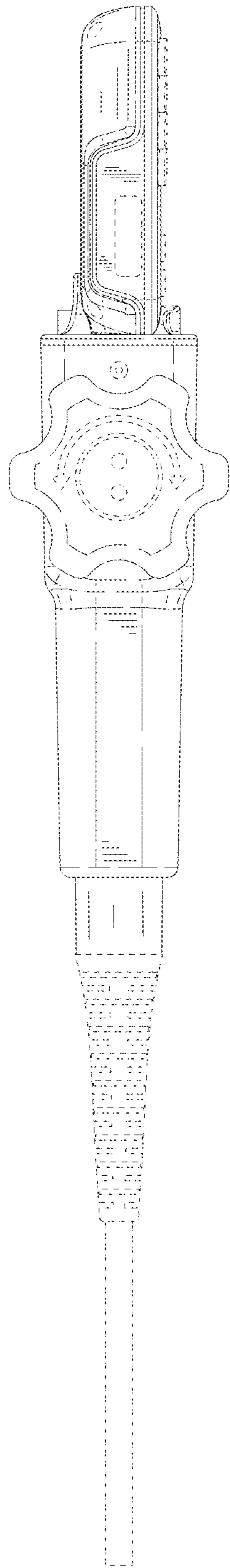


FIG. 5

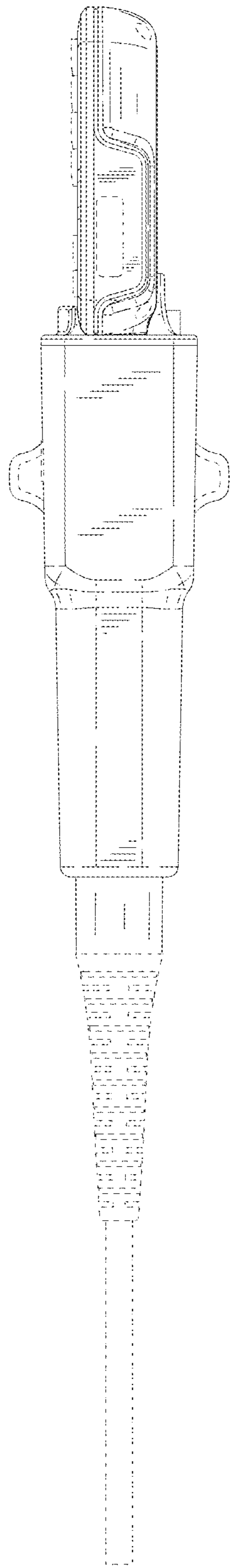


FIG. 6

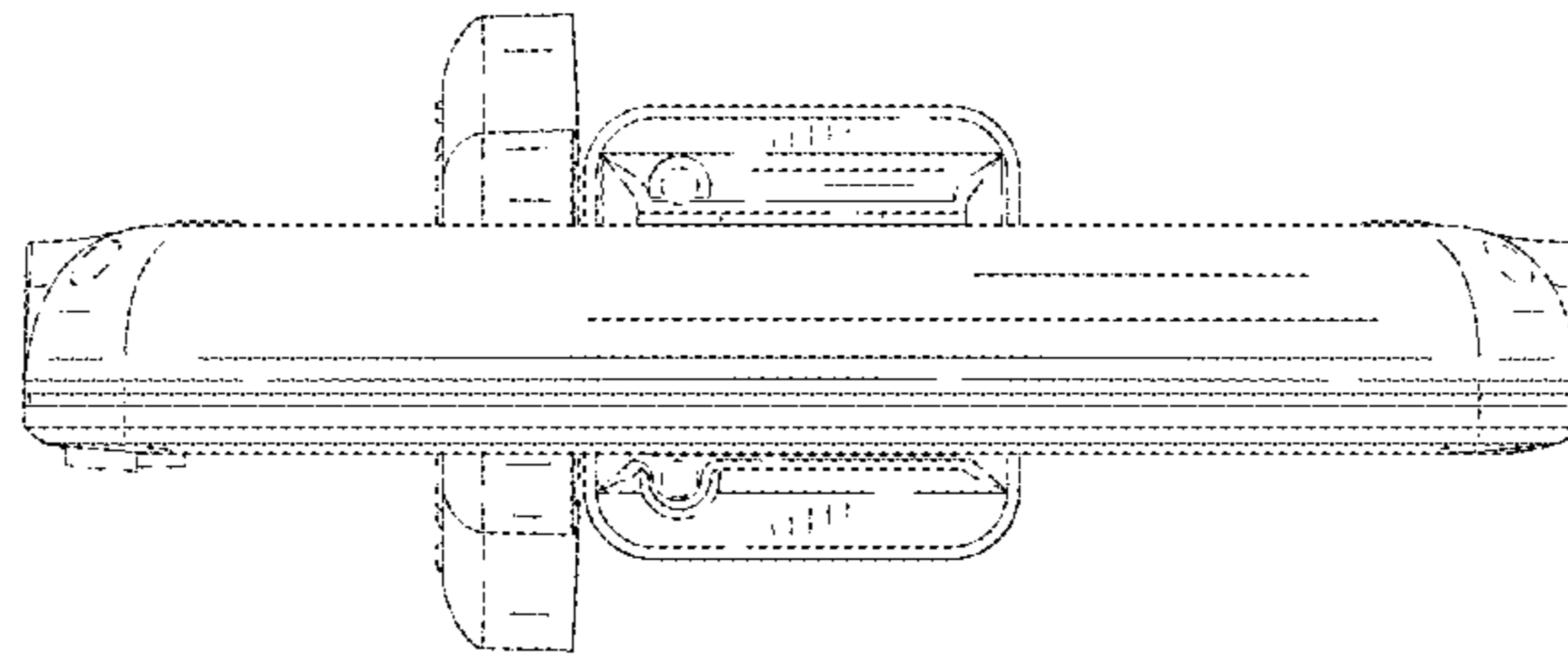


FIG. 7

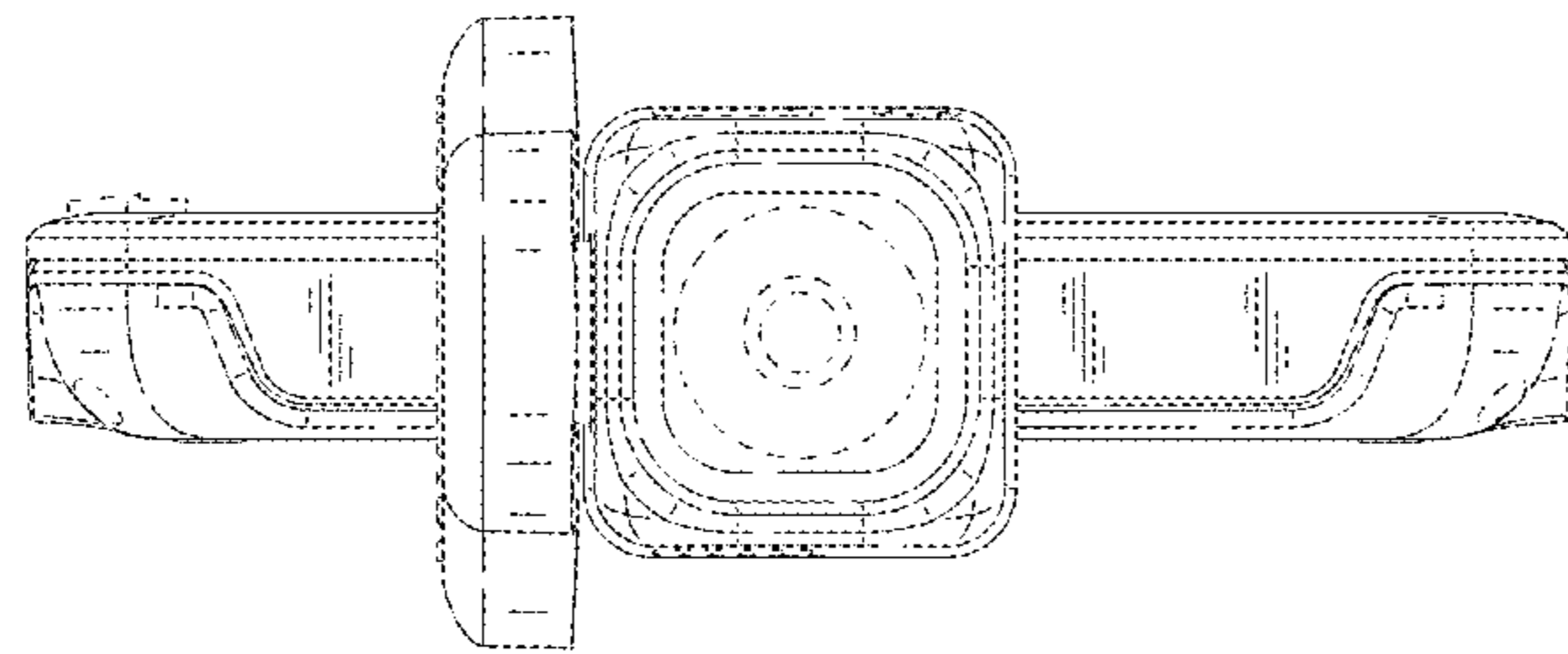


FIG. 8

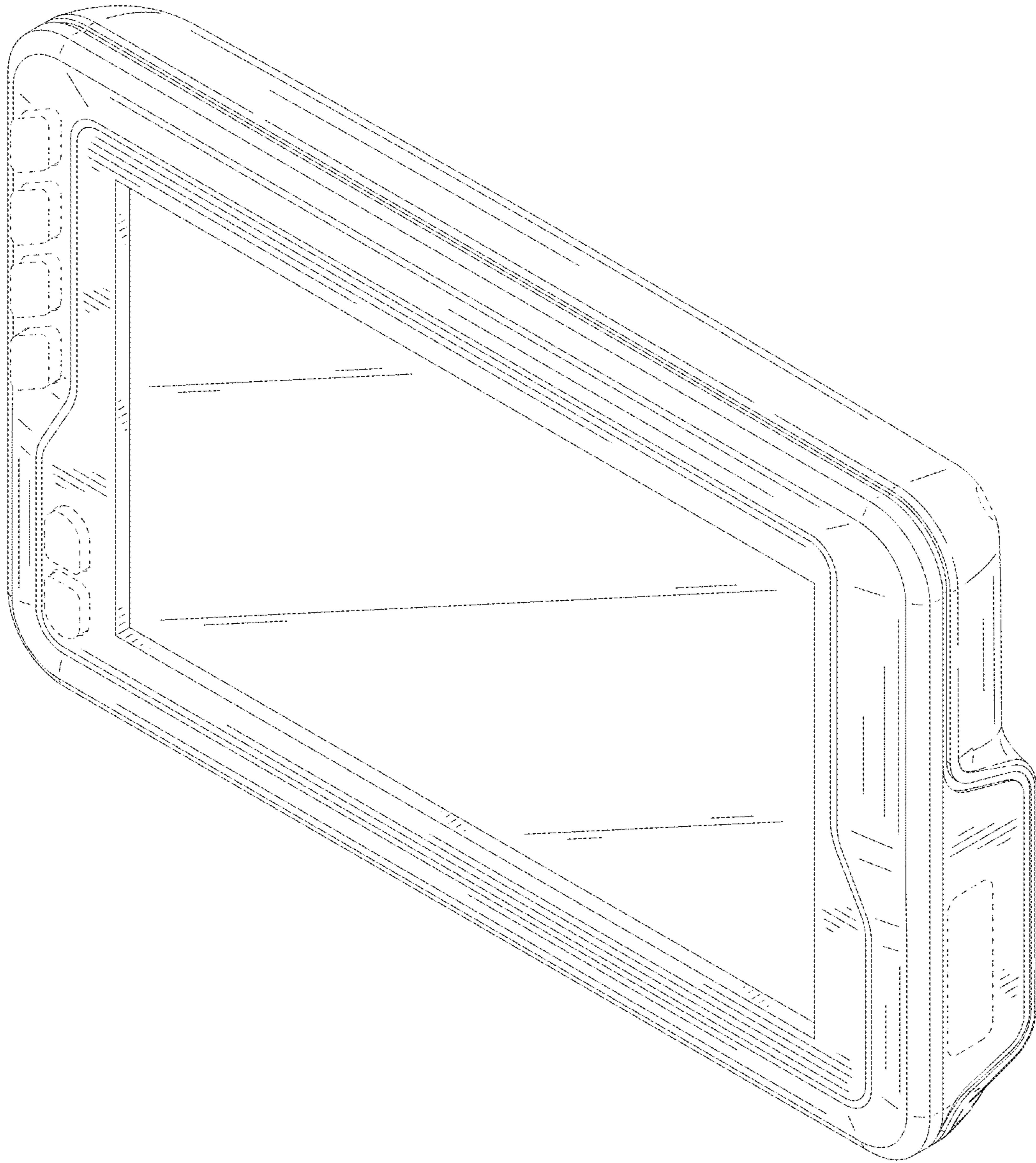


FIG. 9

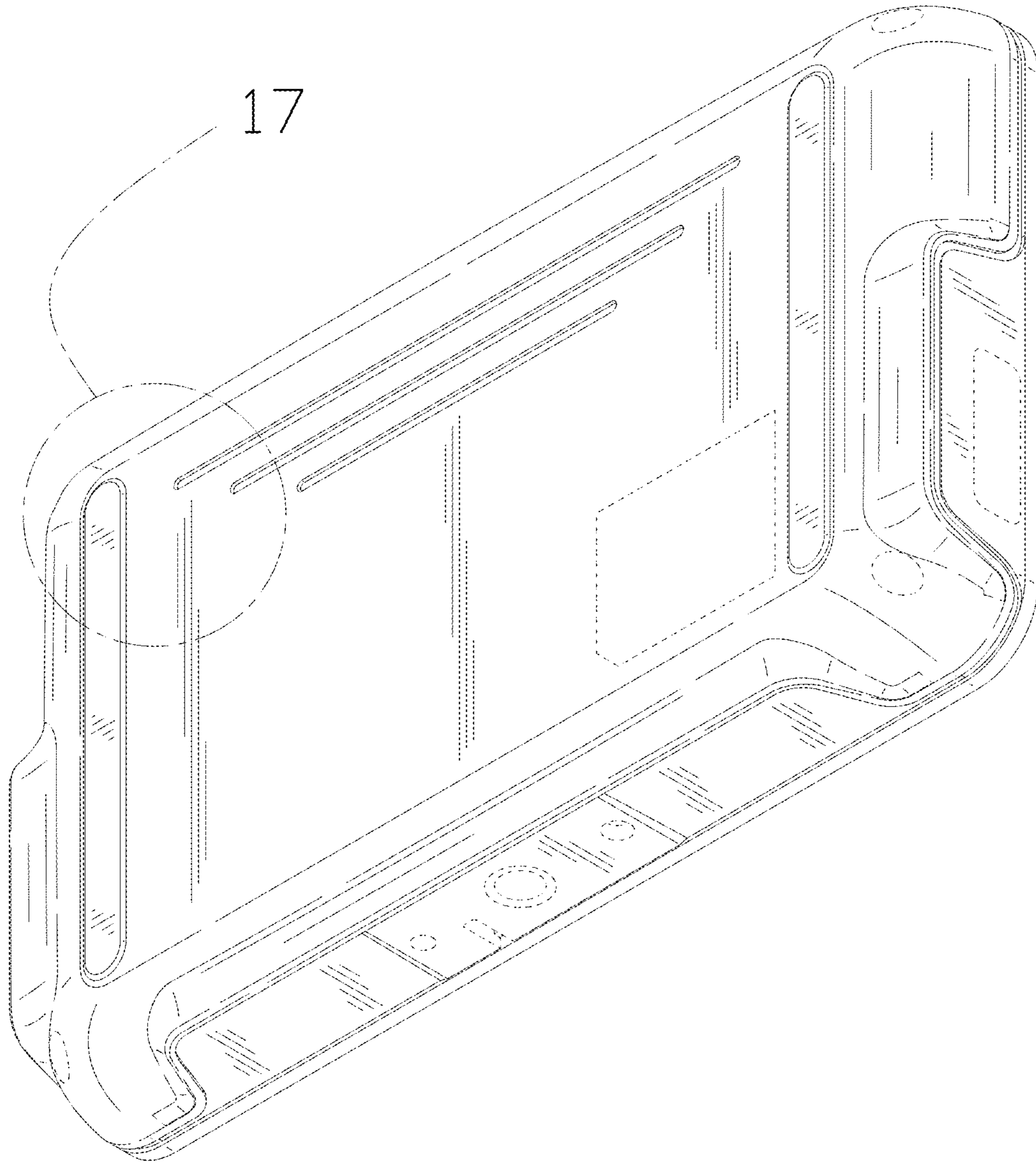


FIG. 10

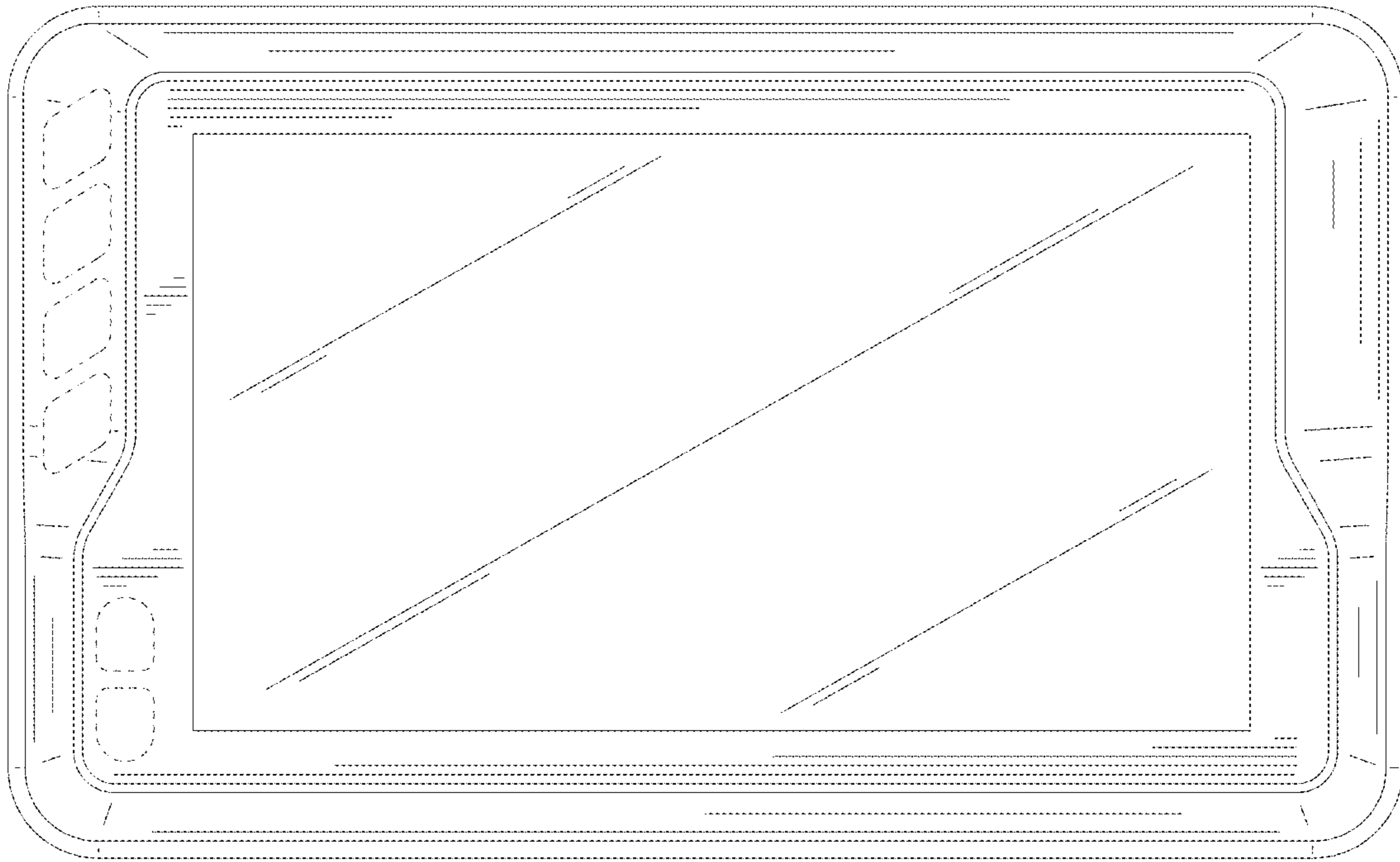


FIG. 11

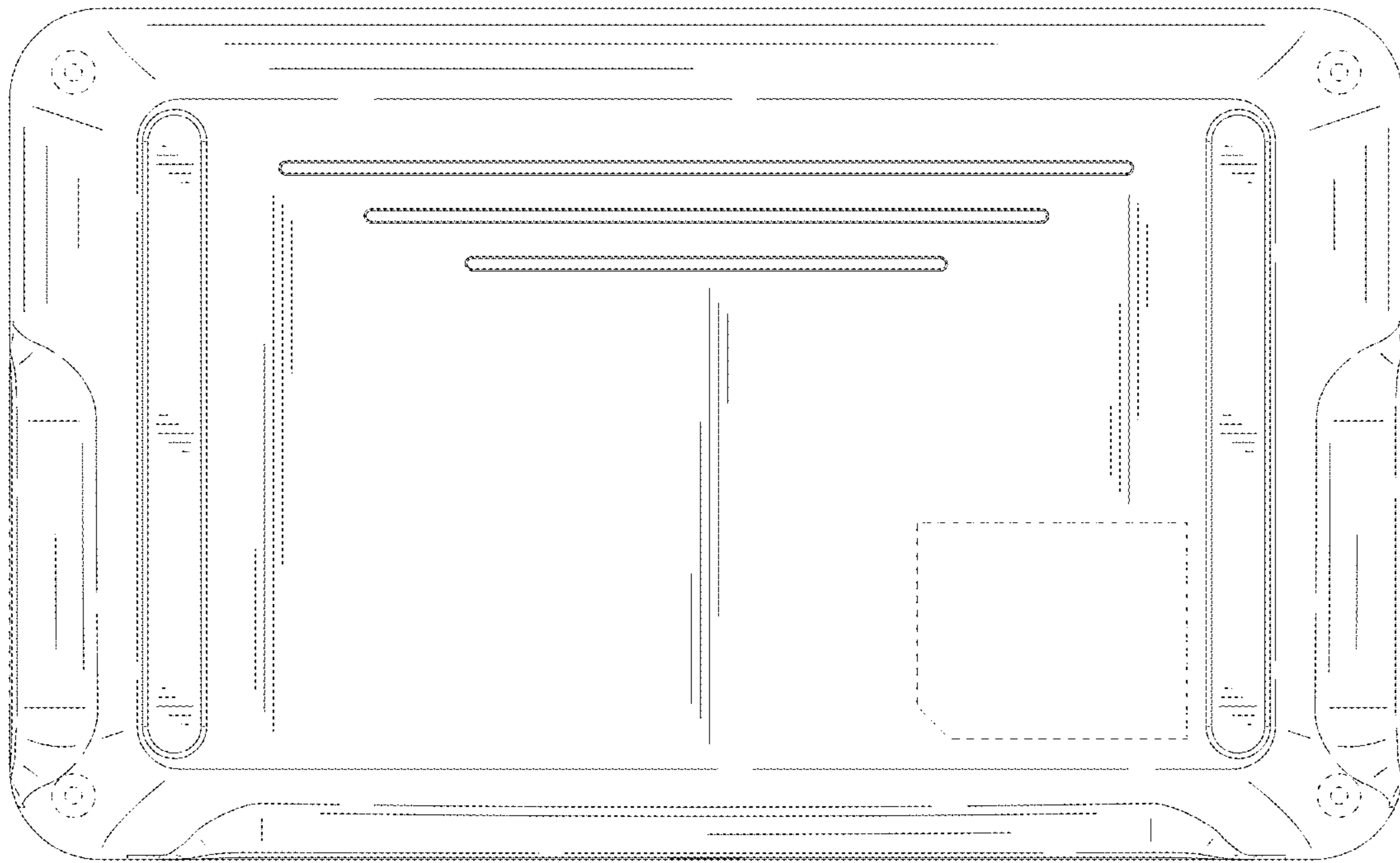


FIG. 12

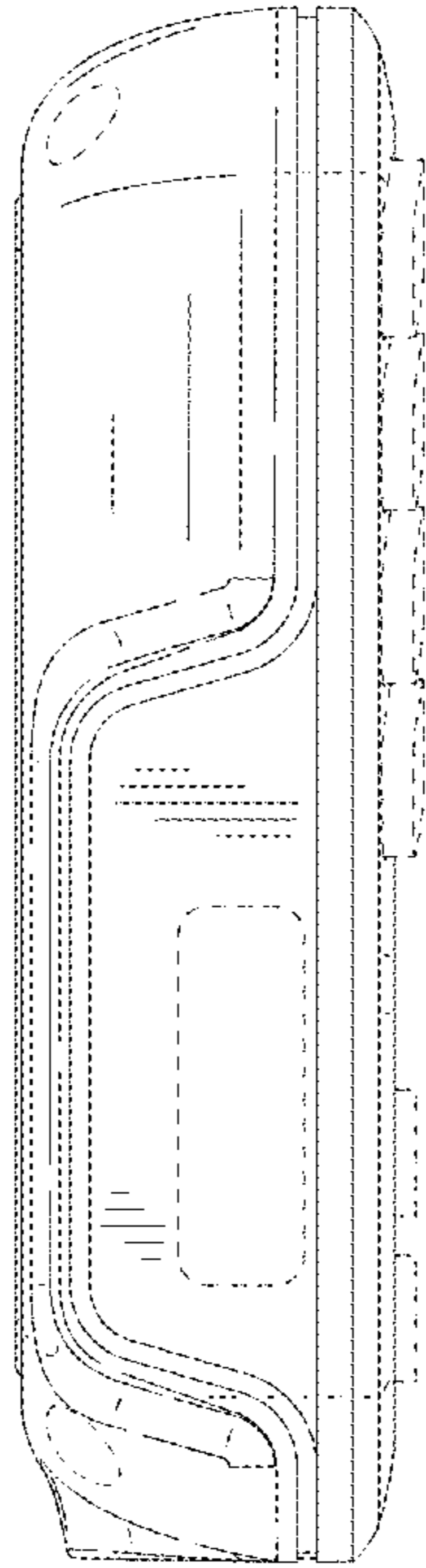


FIG. 13

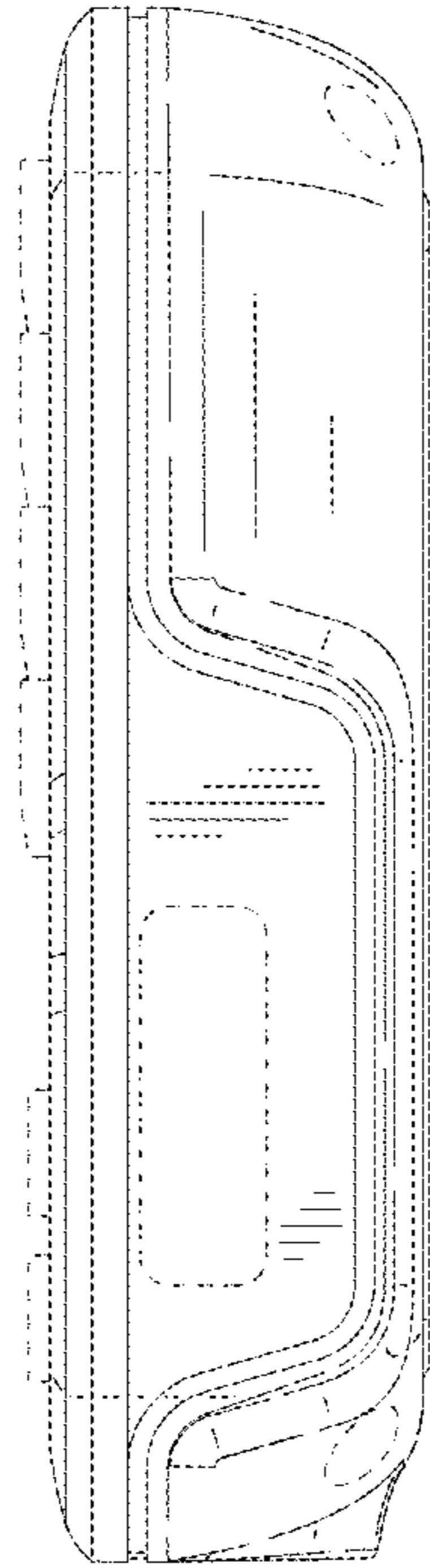


FIG. 14

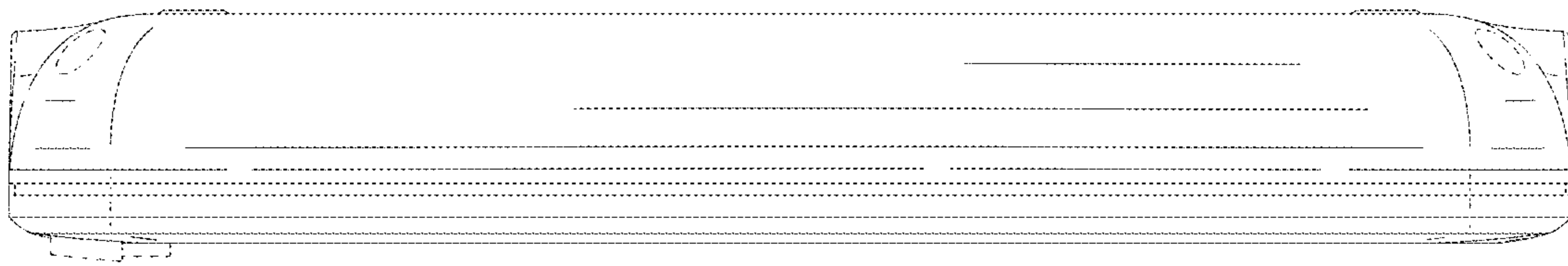


FIG. 15

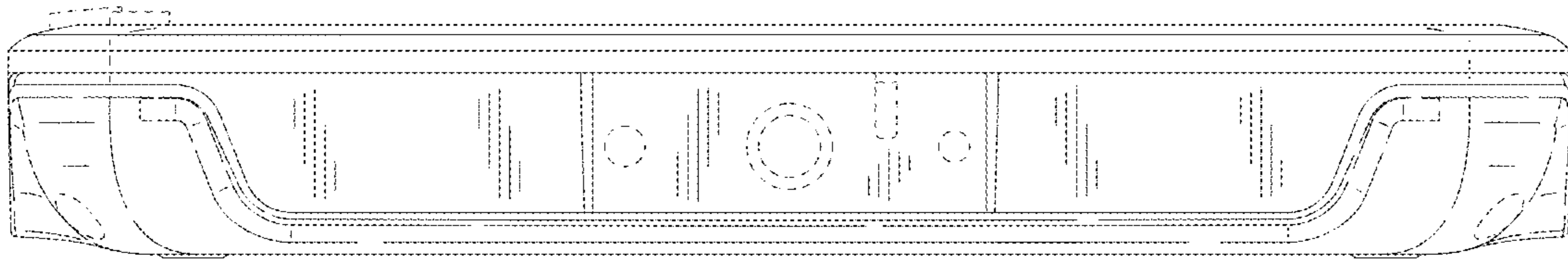


FIG. 16

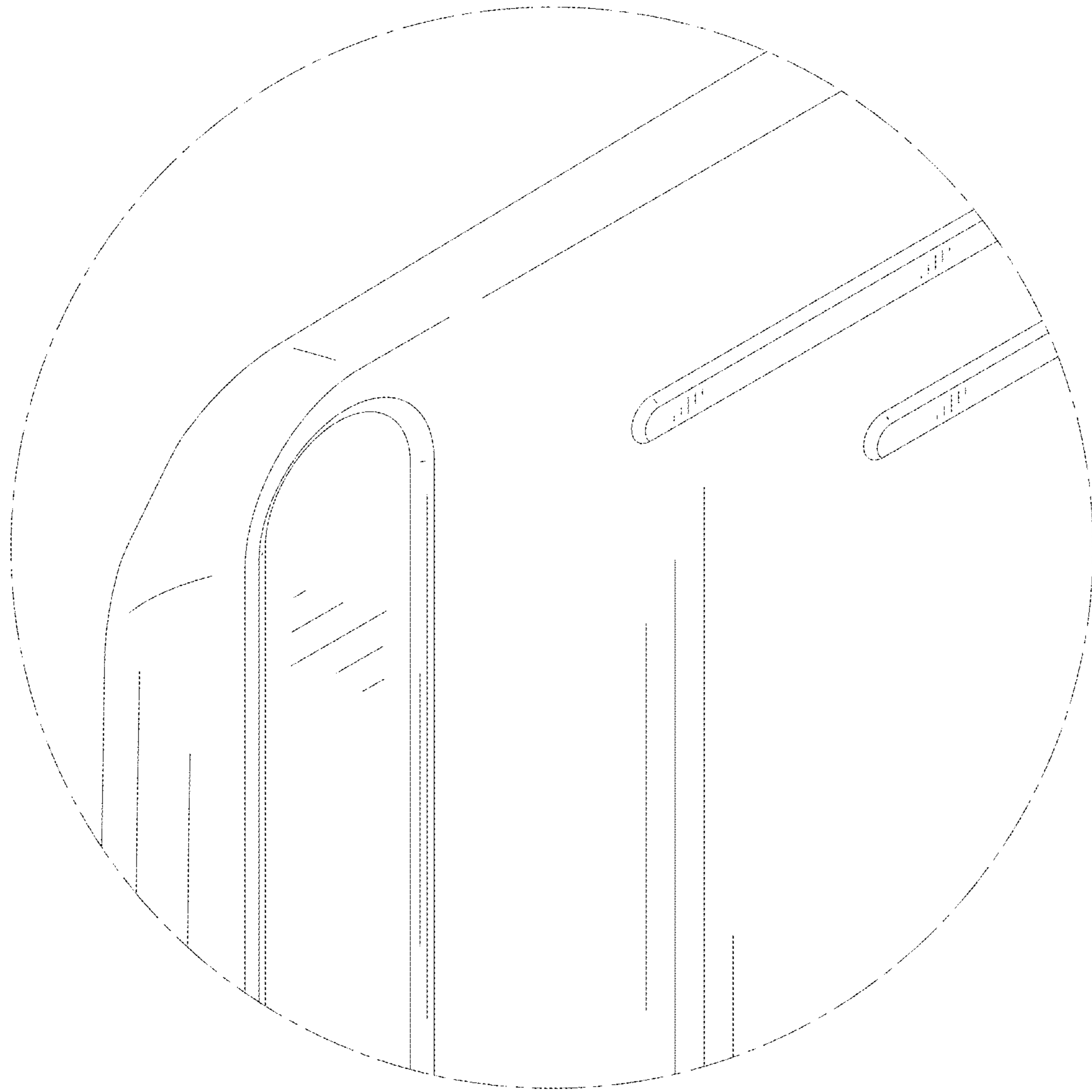


FIG. 17

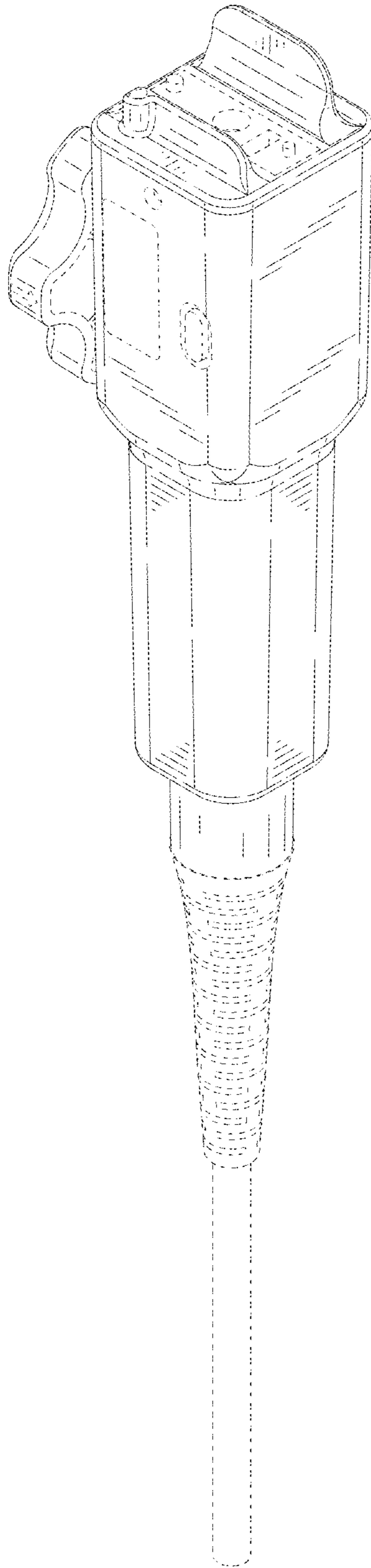


FIG. 18

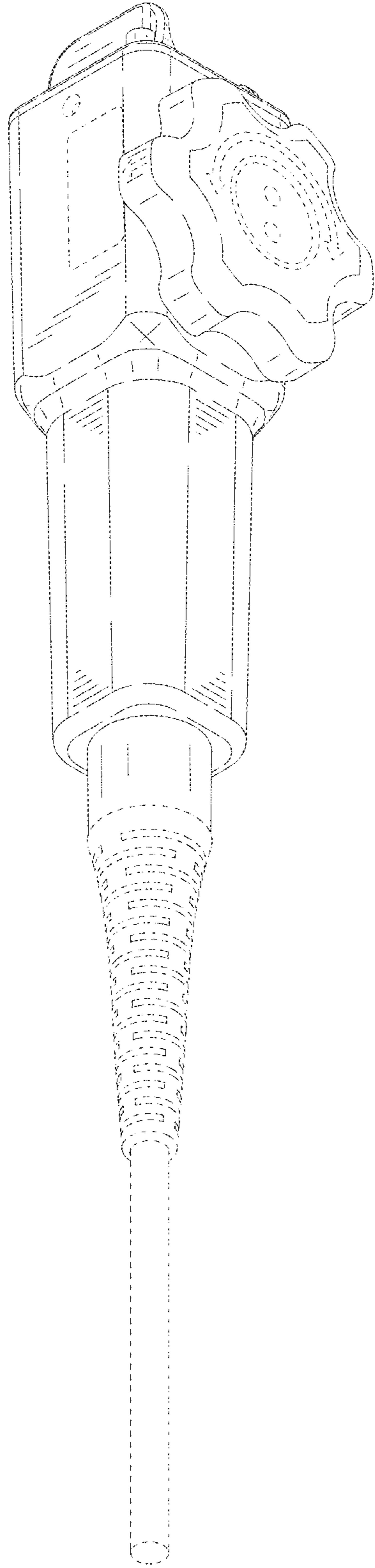


FIG. 19

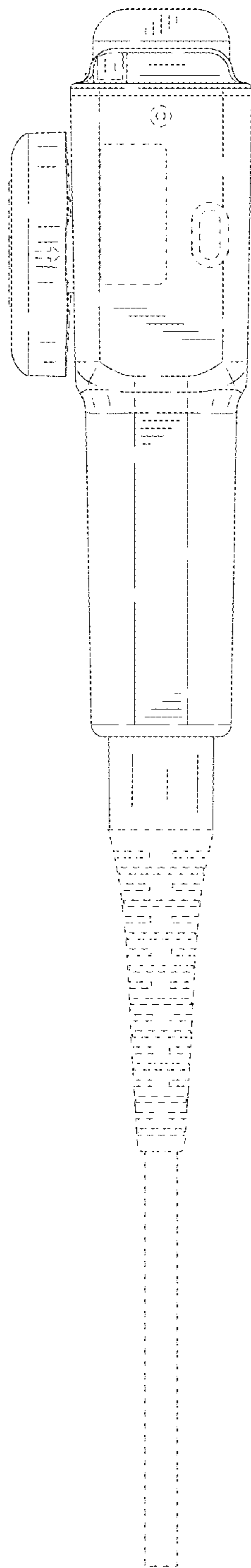


FIG. 20

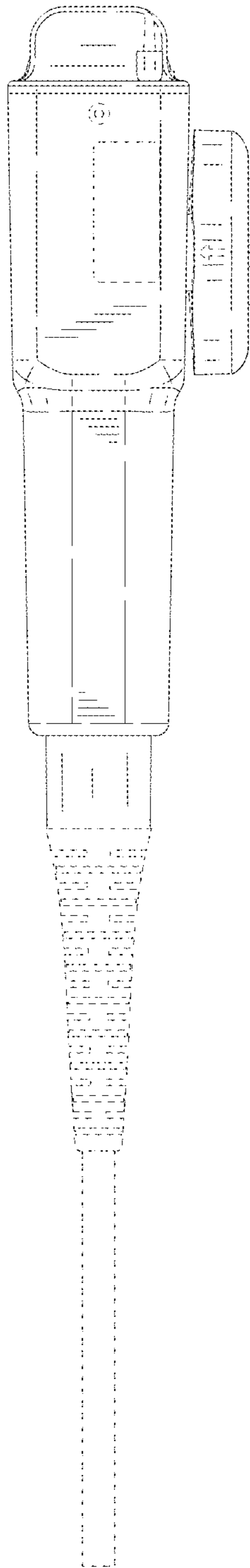


FIG. 21

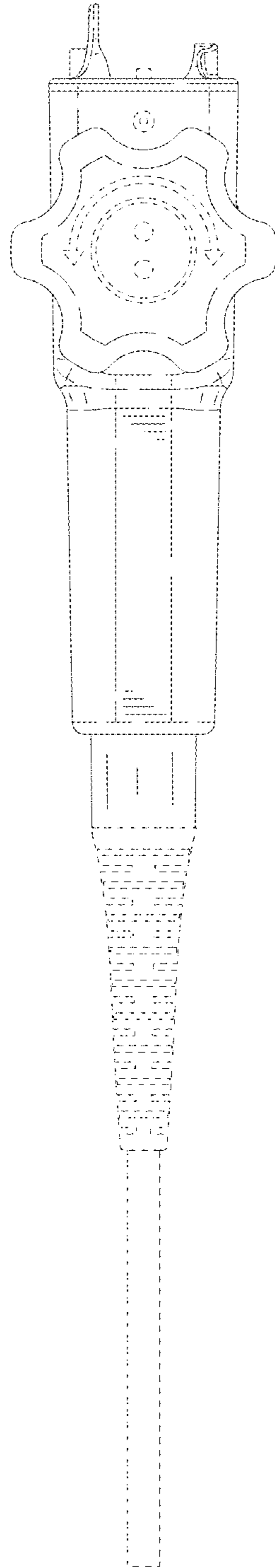


FIG. 22

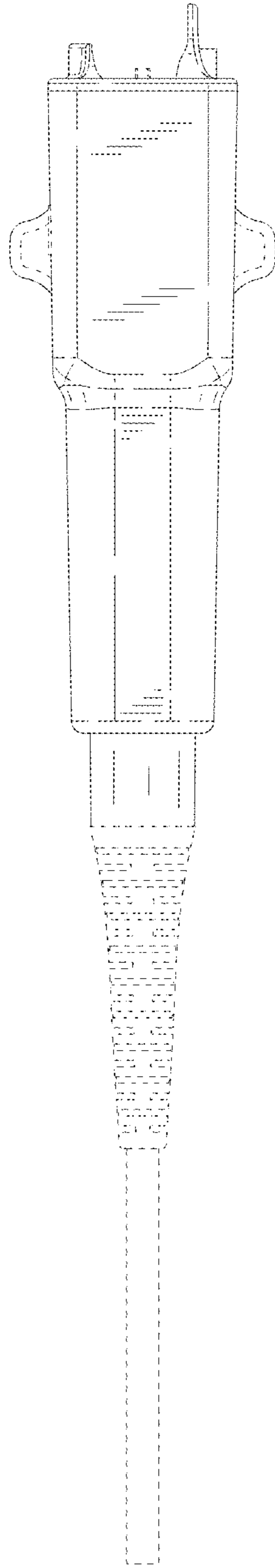


FIG. 23

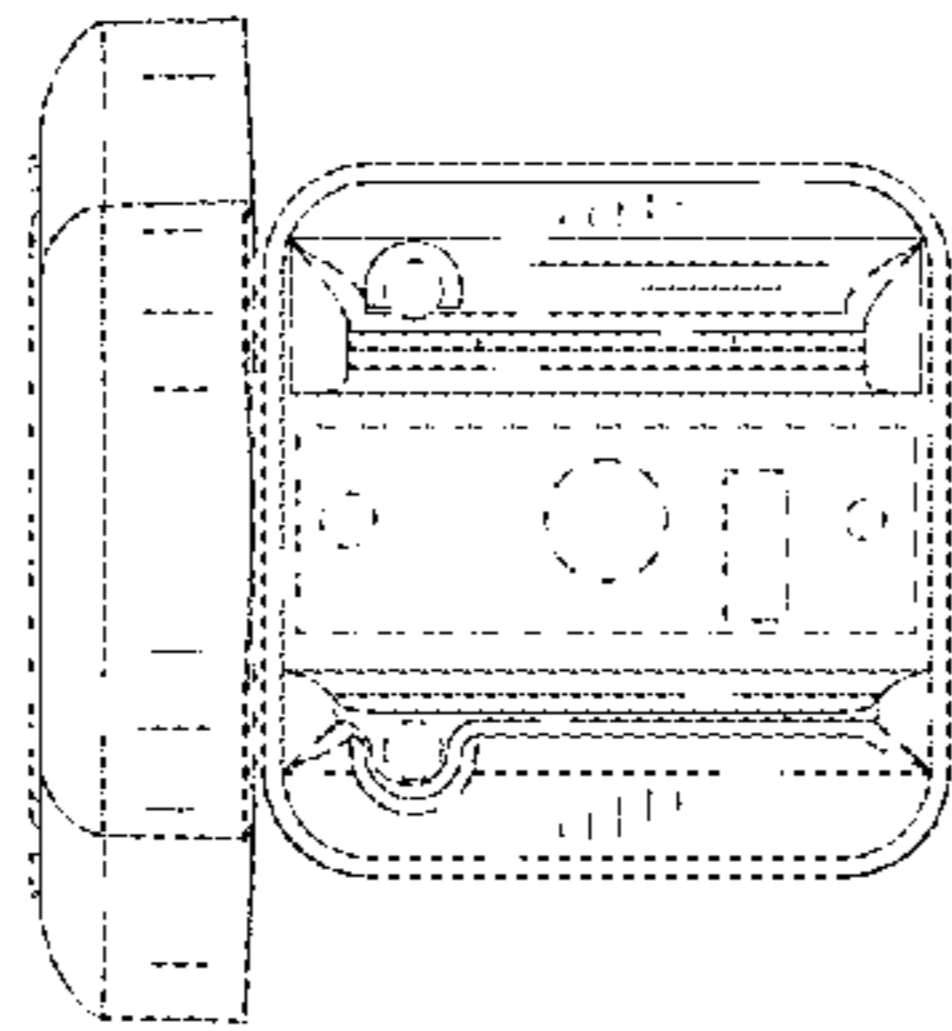


FIG. 24

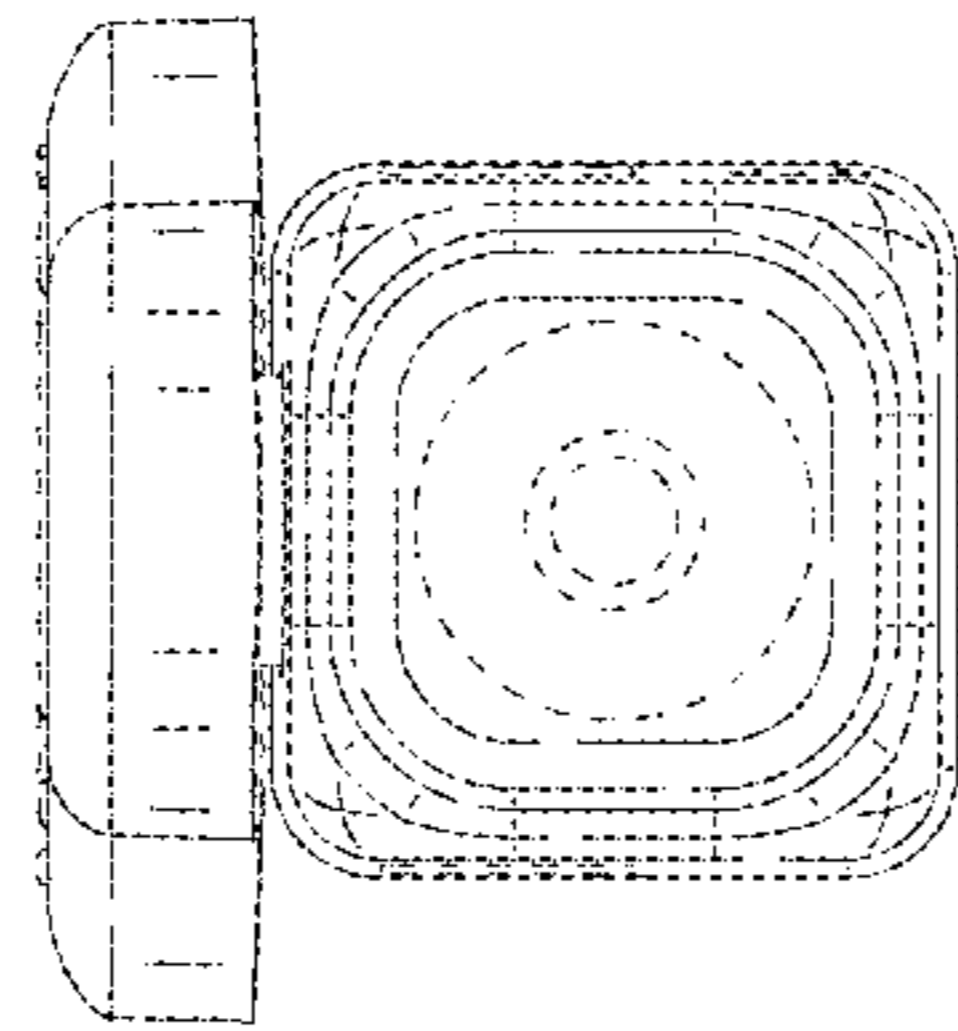


FIG. 25