



US0D1022717S

(12) **United States Design Patent**  
**Zhu**

(10) **Patent No.:** **US D1,022,717 S**  
(45) **Date of Patent:** **\*\* Apr. 16, 2024**

(54) **TIMER**

(71) Applicant: **Bilang Zhu**, Shenzhen (CN)

(72) Inventor: **Bilang Zhu**, Shenzhen (CN)

(\*\*) Term: **15 Years**

(21) Appl. No.: **29/845,010**

(22) Filed: **Jul. 4, 2022**

(51) **LOC (14) Cl.** ..... **10-03**

(52) **U.S. Cl.**  
USPC ..... **D10/40**

(58) **Field of Classification Search**  
USPC ..... D10/1-8, 14-15, 21-27, 40-41  
CPC ..... G04G 9/00; G04G 13/00; G04G 13/002;  
G04G 13/028; G04G 17/00; G04G  
17/005; G04G 17/08; G04G 17/086;  
G04G 21/08; G04F 8/00; G04F 8/006;  
G07C 1/28

See application file for complete search history.

(56) **References Cited**

**U.S. PATENT DOCUMENTS**

4,659,233	A *	4/1987	Nakamura	.....	G04C 10/04 968/816
D328,559	S *	8/1992	Wilson	.....	D8/312
D342,520	S *	12/1993	Totsuka	.....	D10/2
D483,679	S *	12/2003	Kaufman	.....	D10/40
D671,016	S *	11/2012	Rogers	.....	D10/40
D705,089	S *	5/2014	Rogers	.....	D10/40
D785,471	S *	5/2017	Rogers	.....	D10/40
D933,501	S *	10/2021	Chi	.....	D10/40
D940,574	S *	1/2022	Otani	.....	D10/40
D967,718	S *	10/2022	Xu	.....	D8/312

D974,189	S *	1/2023	Xu	.....	D8/312
2022/0108563	A1 *	4/2022	Lakovic	.....	A63F 3/00895
2023/0004126	A1 *	1/2023	Xu	.....	G04F 3/08

**OTHER PUBLICATIONS**

Yunbaoit VT05 Visualization Clock Timer | amazon.co.jp; date first avail. Aug. 14, 2023 [online]. © 1996-2024, Amazon.com, Inc [retrieved Jan. 24, 2024] from Internet: <<https://www.amazon.co.jp/Yunbaoit-VT05/dp/B0CFLK2PCK?th=1>> (Year: 2023).\*

\* cited by examiner

*Primary Examiner* — Katherine Glennon

(74) *Attorney, Agent, or Firm* — Jose Cherson Weissbrot

(57) **CLAIM**

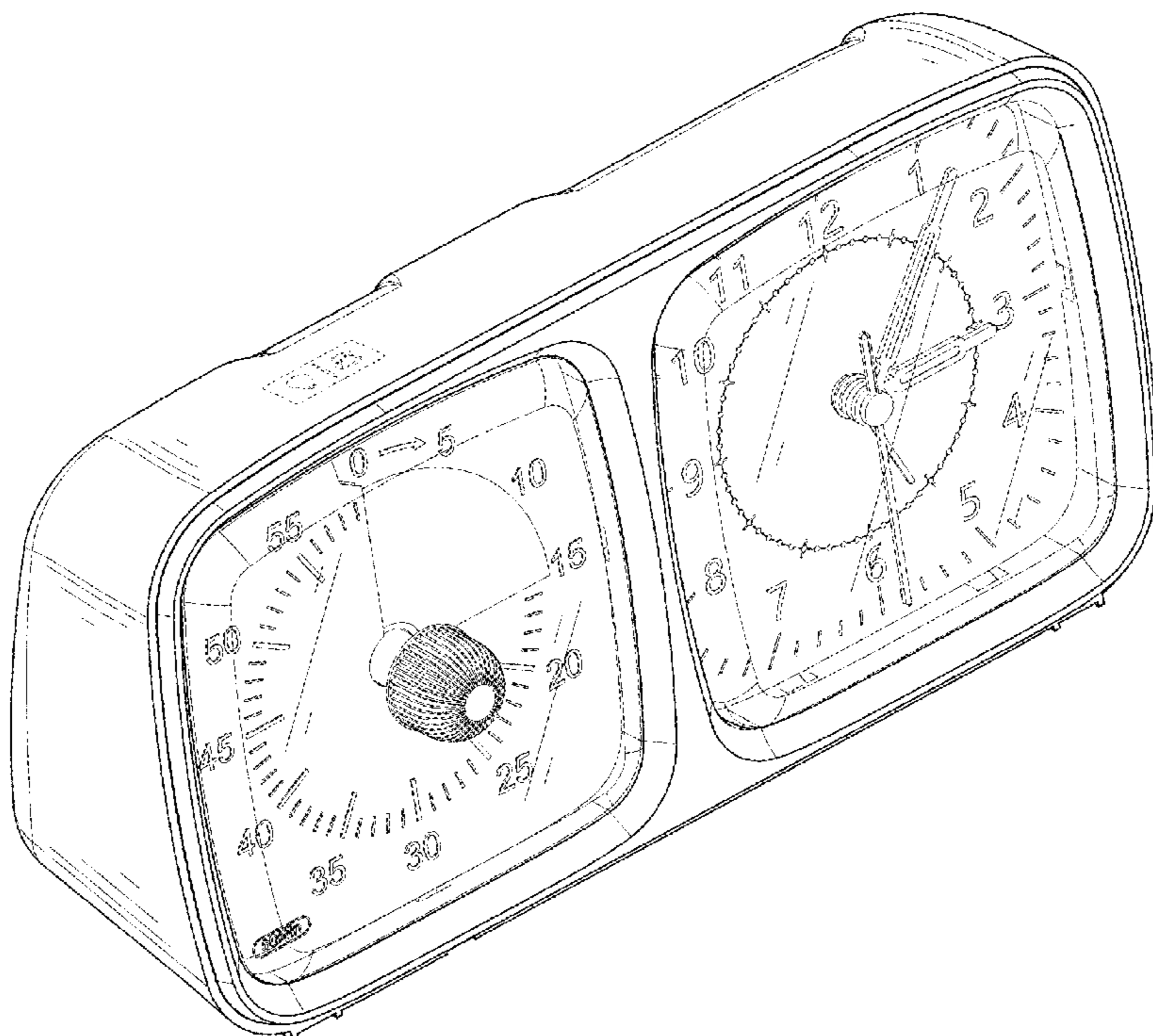
The ornamental design for a timer, as shown and described.

**DESCRIPTION**

FIG. 1 is a first perspective view of a timer showing my new design;  
FIG. 2 is a second perspective view thereof;  
FIG. 3 is a front view thereof;  
FIG. 4 is a back view thereof;  
FIG. 5 is a left side view thereof;  
FIG. 6 is a right side view thereof;  
FIG. 7 is a top view thereof;  
FIG. 8 is a bottom view thereof; and,  
FIG. 9 is an enlarged view of the selected portion 9 in FIG. 2.

The broken lines shown in the drawings depict portions of the timer that form no part of the claimed design.

**1 Claim, 9 Drawing Sheets**



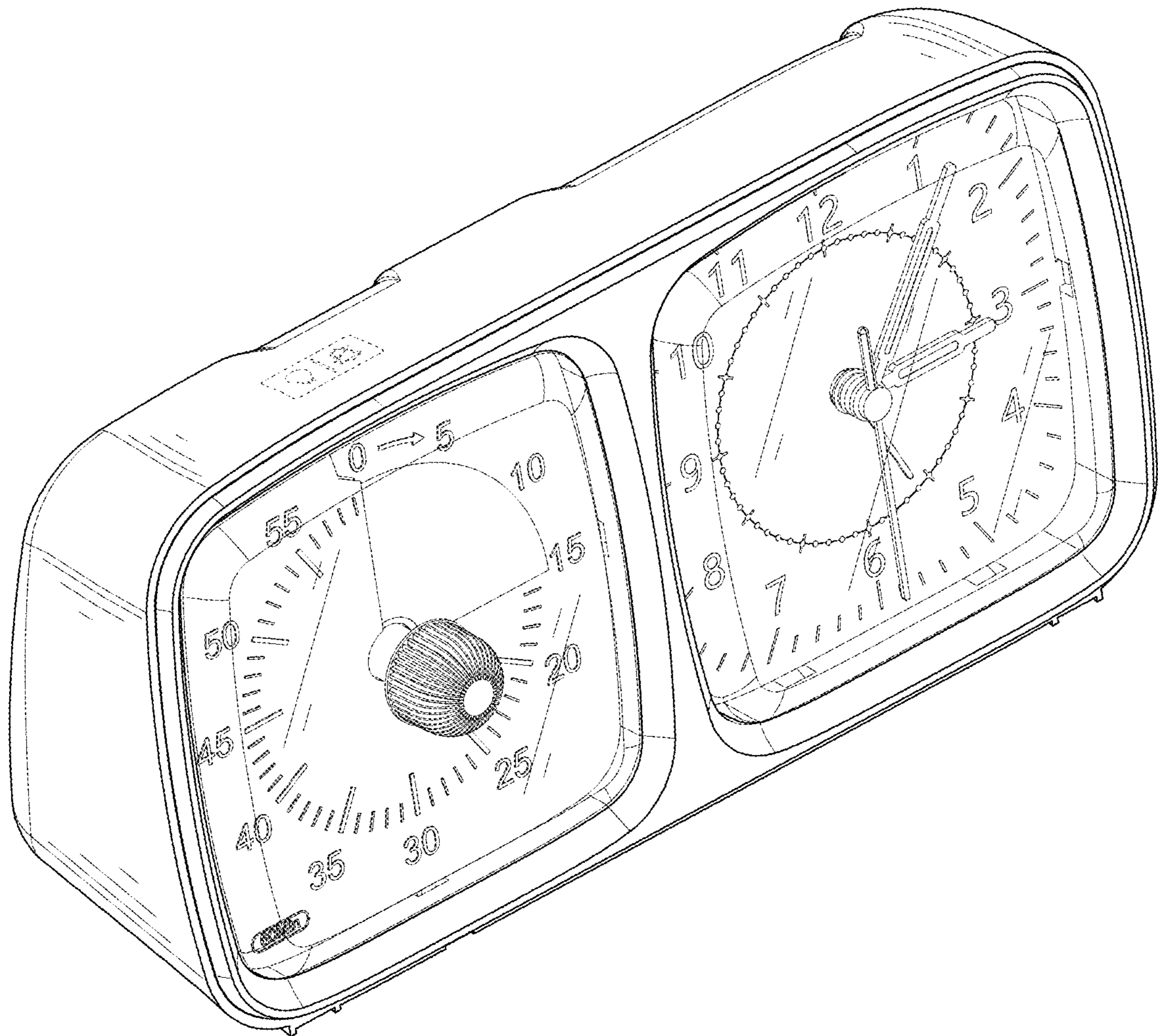


FIG. 1

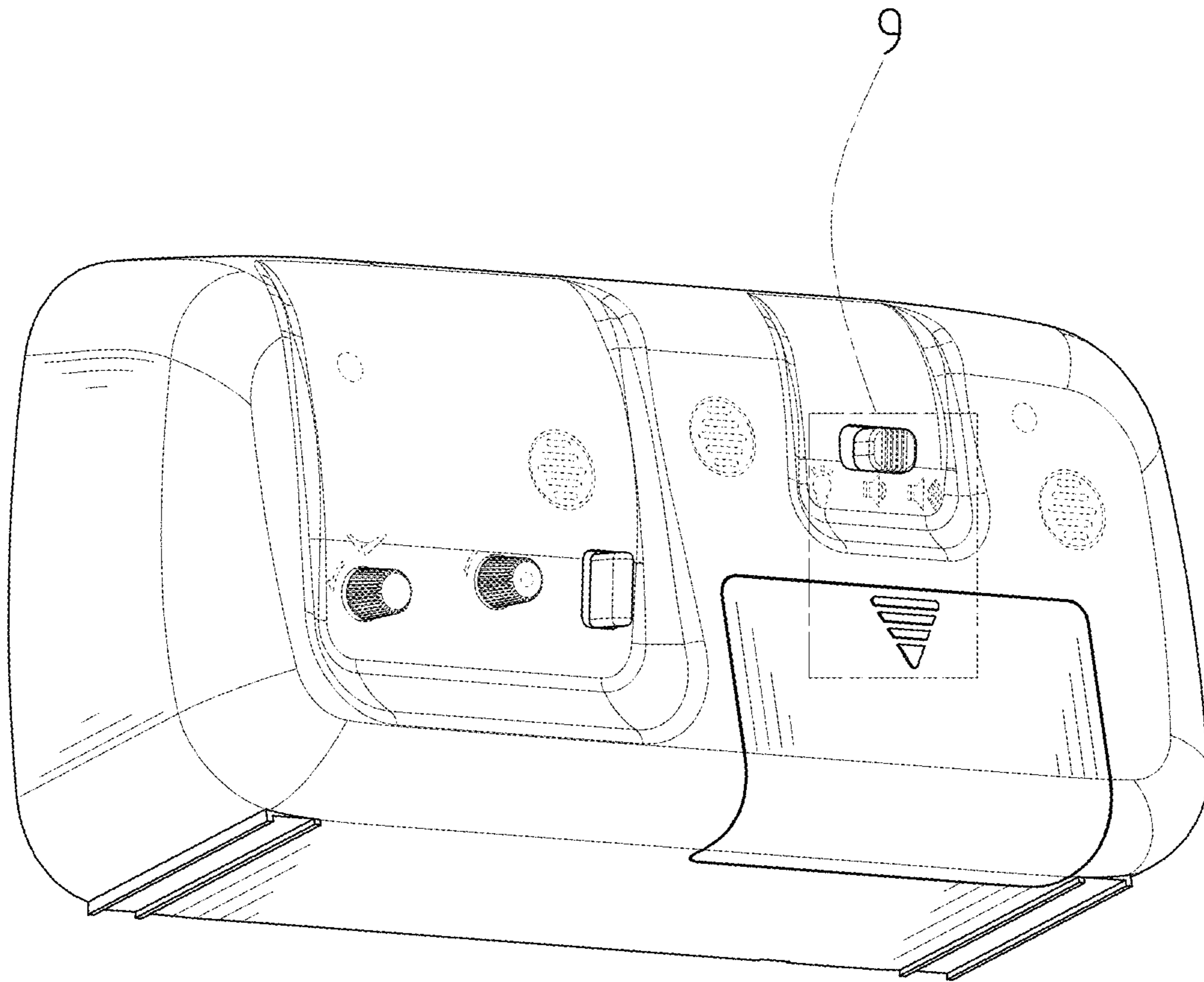


FIG. 2

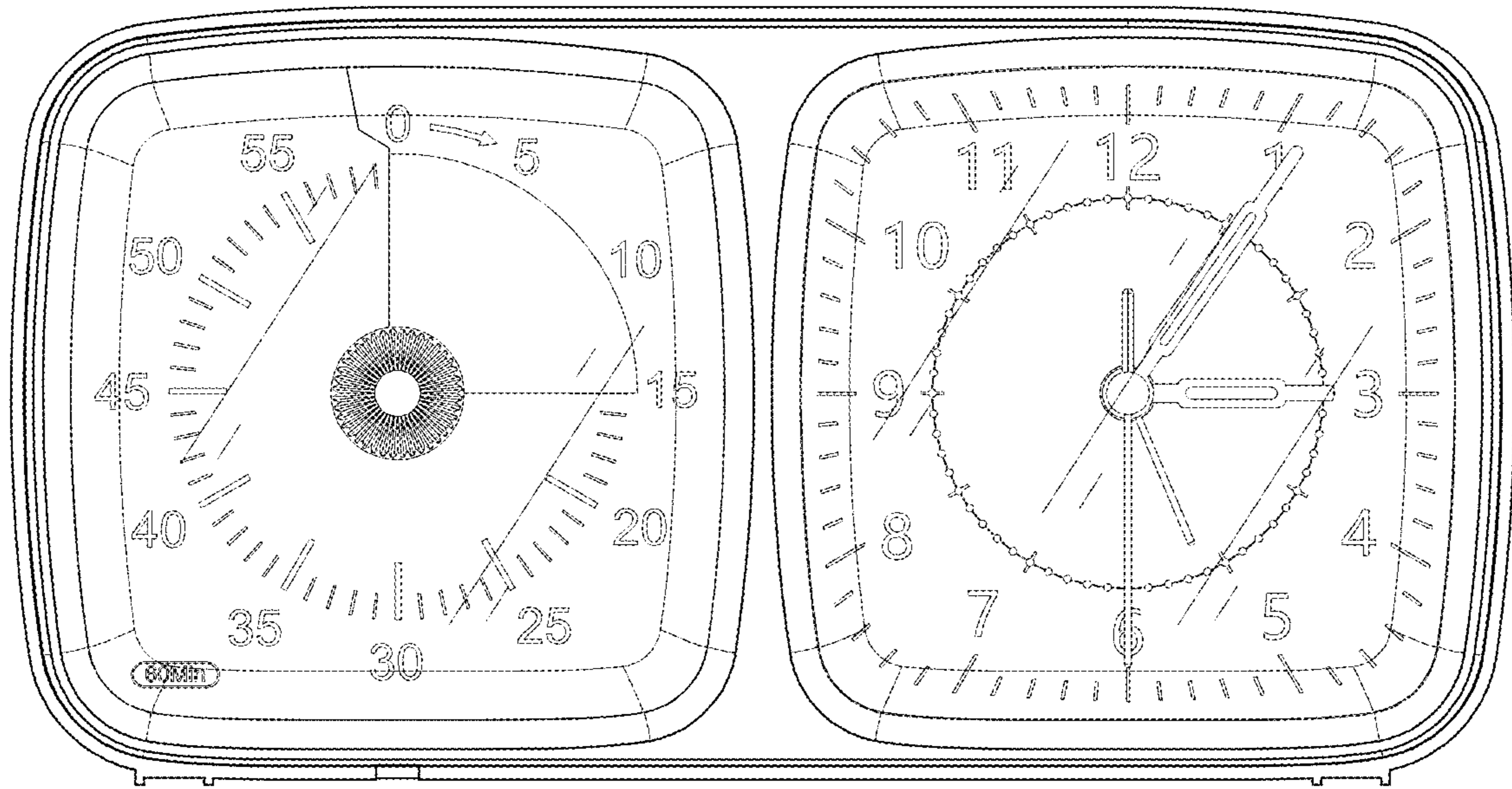


FIG. 3

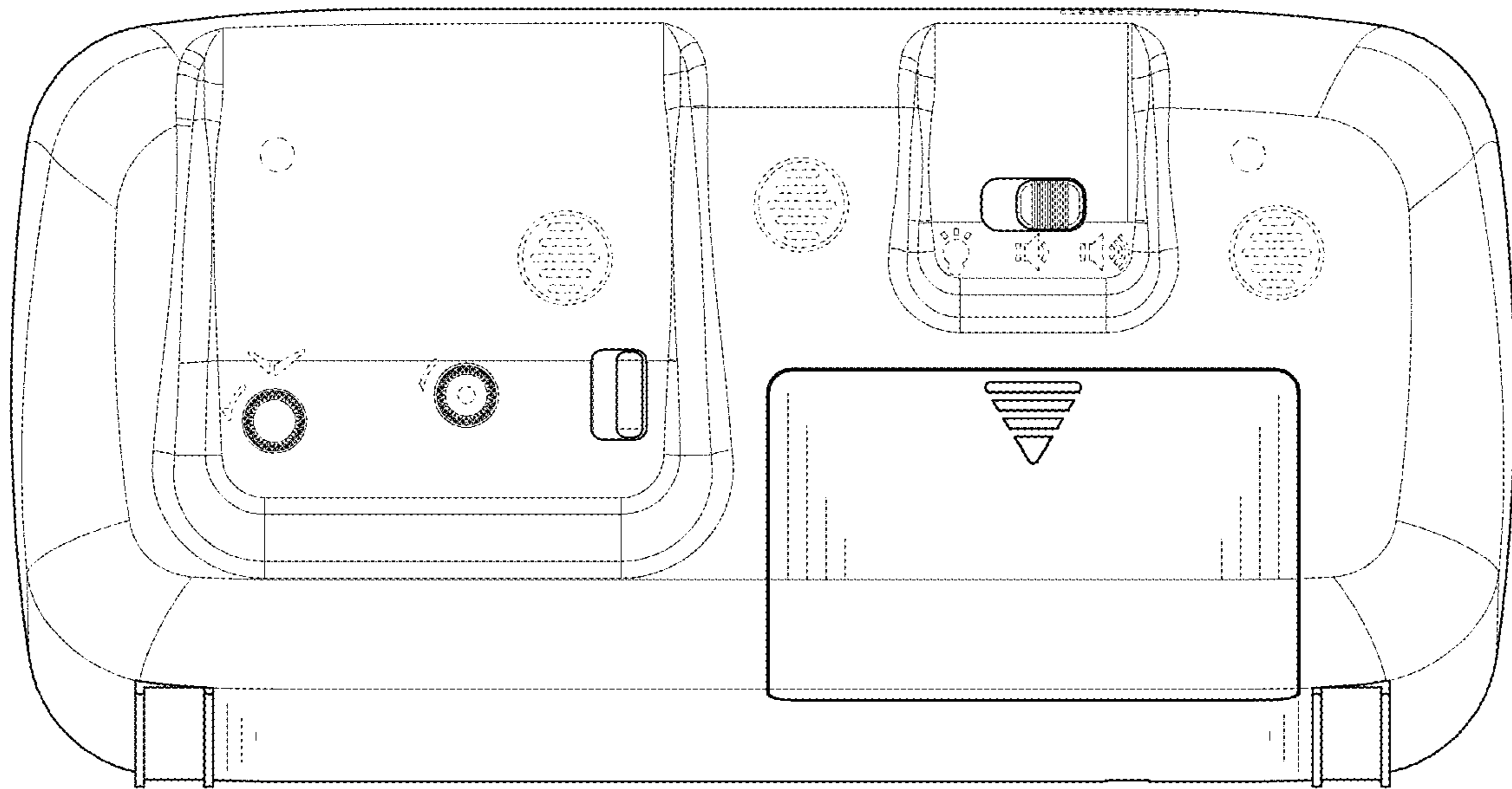


FIG. 4

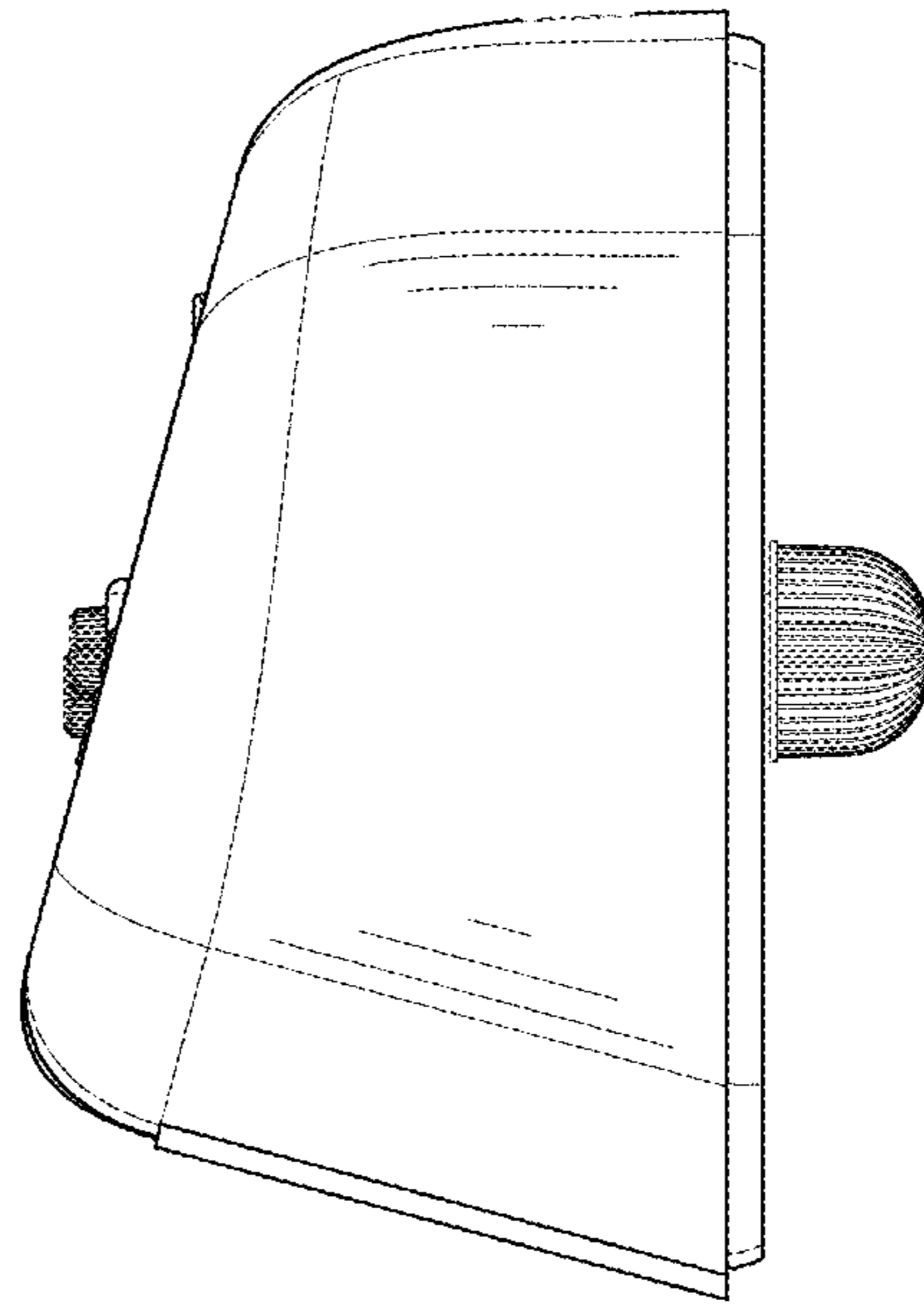


FIG. 5

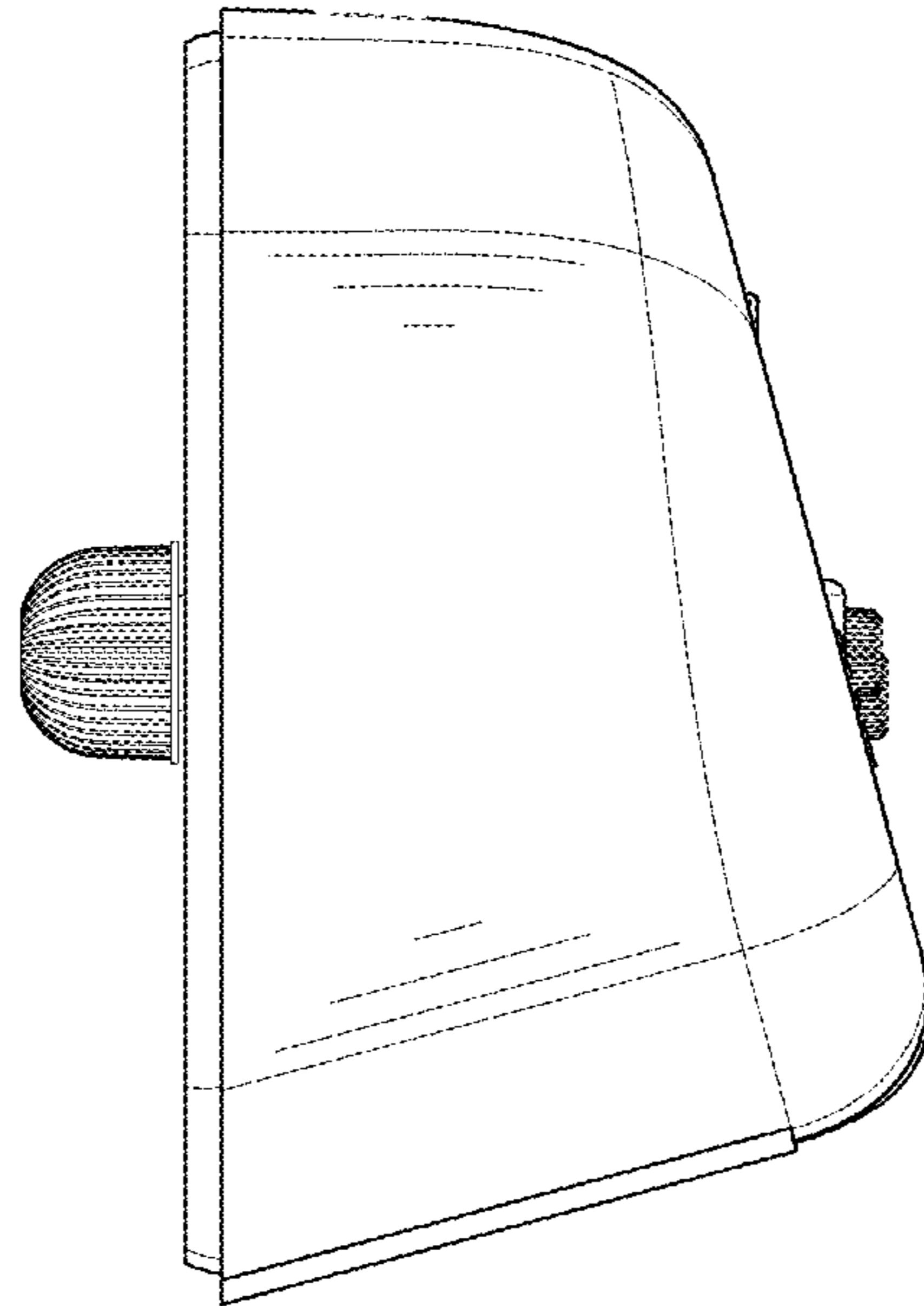


FIG. 6

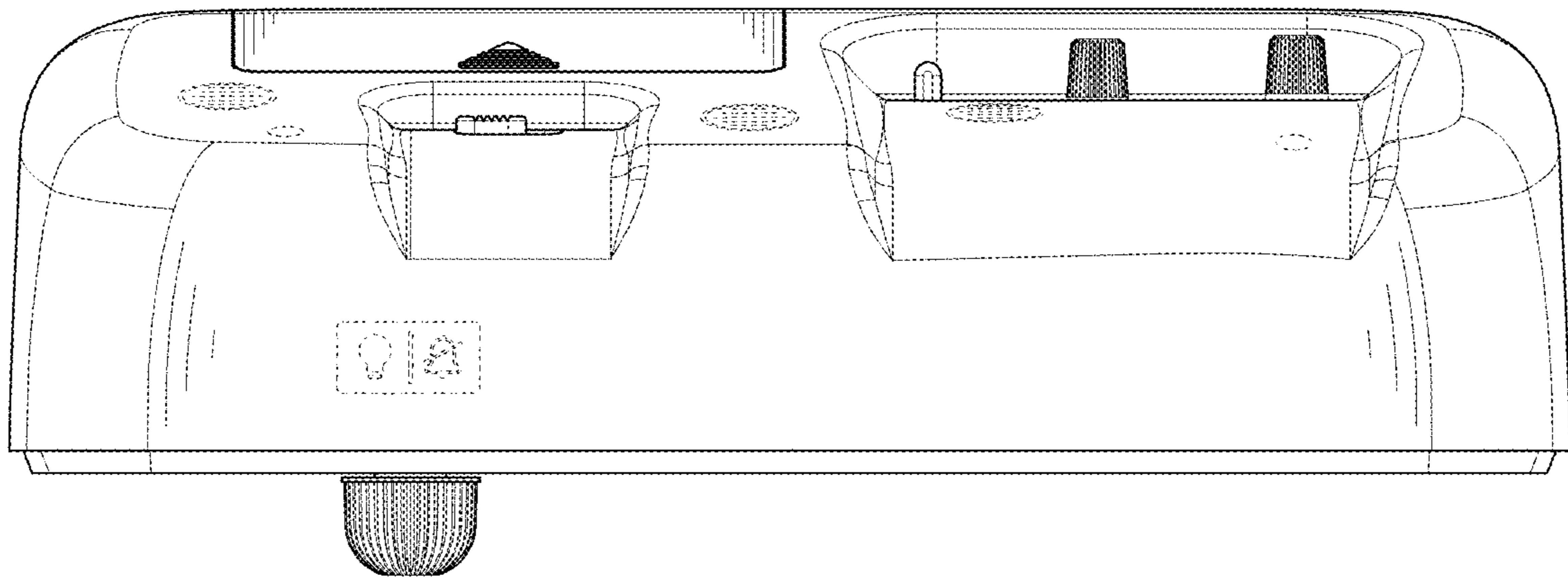


FIG. 7



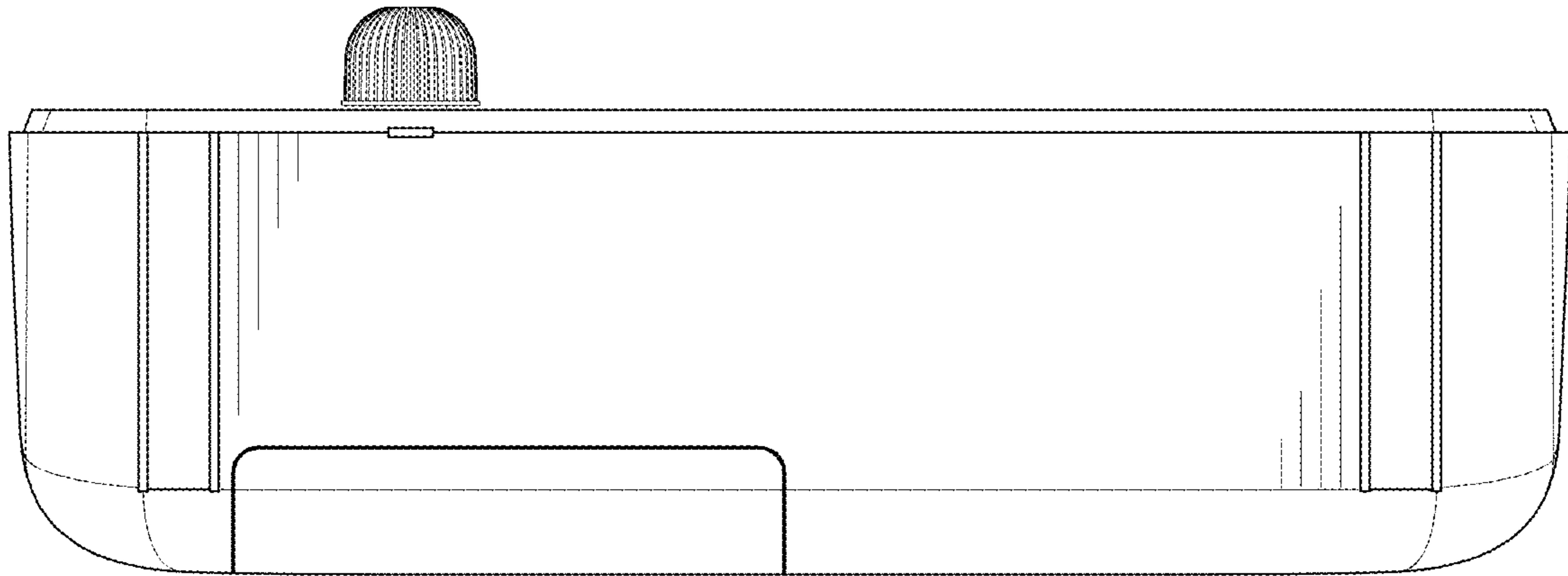


FIG. 8

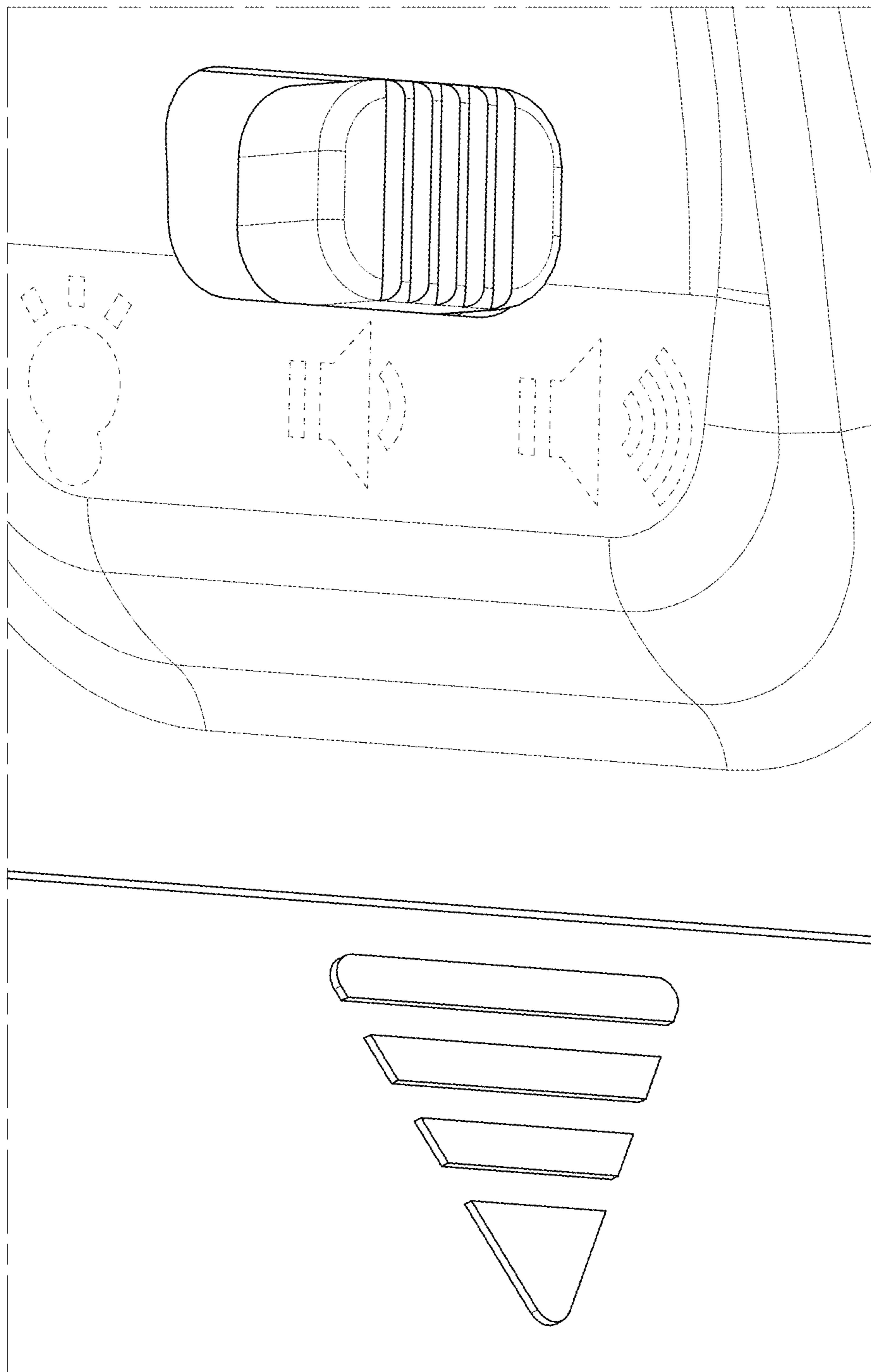


FIG. 9