



US0D1022575S

(12) **United States Design Patent** (10) **Patent No.:** **US D1,022,575 S**
Wang (45) **Date of Patent:** **** Apr. 16, 2024**

(54) **COOKING STOVE**
(71) Applicant: **Chaosen Wang**, Xinyi (CN)
(72) Inventor: **Chaosen Wang**, Xinyi (CN)
(**) Term: **15 Years**
(21) Appl. No.: **29/812,722**

2013/0029024 A1* 1/2013 Warren A23L 5/15
426/523
2017/0079460 A1* 3/2017 Steputis A47J 36/02
2019/0038075 A1* 2/2019 Cownie F24B 7/005
2022/0160166 A1* 5/2022 Zhang F24B 1/028

FOREIGN PATENT DOCUMENTS

CN 306102645 * 10/2020

OTHER PUBLICATIONS

Collapsible Rocket Stove, StarBlue. First available, May 11, 2020 [online]. [site visited Sep. 1, 2023]. Available from internet, URL: <https://www.amazon.com/> (Year: 2020).*
Rocket Stove, Apromise. First available, Aug. 31, 2022 [online]. [site visited Sep. 1, 2023]. Available from internet, URL: <https://www.amazon.com/> (Year: 2022).*

* cited by examiner

Primary Examiner — Janice Patyk
Assistant Examiner — Kendra L Hebel
(74) *Attorney, Agent, or Firm* — Jeenam Park

(30) **Foreign Application Priority Data**

Oct. 18, 2021 (EM) 008728059-0001

(51) **LOC (14) Cl.** **07-02**

(52) **U.S. Cl.**
USPC **D7/332**

(58) **Field of Classification Search**
USPC D7/323, 328, 332, 334–339, 347, 348,
D7/362, 367; D23/342, 343, 350
CPC A47J 37/04; A47J 37/0623; A47J 37/0664;
A47J 37/07; A47J 37/0704; A47J
37/0718; A47J 37/0763; A47J 37/0781;
A47J 2037/0777; F24B 1/00; F24B
1/022; F24B 1/18; F24B 1/181; F24B
1/182; F24B 1/202; F24B 1/205; F24B
1/22

See application file for complete search history.

(56) **References Cited**

U.S. PATENT DOCUMENTS

D187,318 S * 2/1960 Jones D7/332
D917,221 S * 4/2021 Waldner D7/335
D938,003 S * 12/2021 Ming D23/343
D963,396 S * 9/2022 Sun D7/332
D978,597 S * 2/2023 Ritchie D7/348
D980,664 S * 3/2023 Huang D7/337

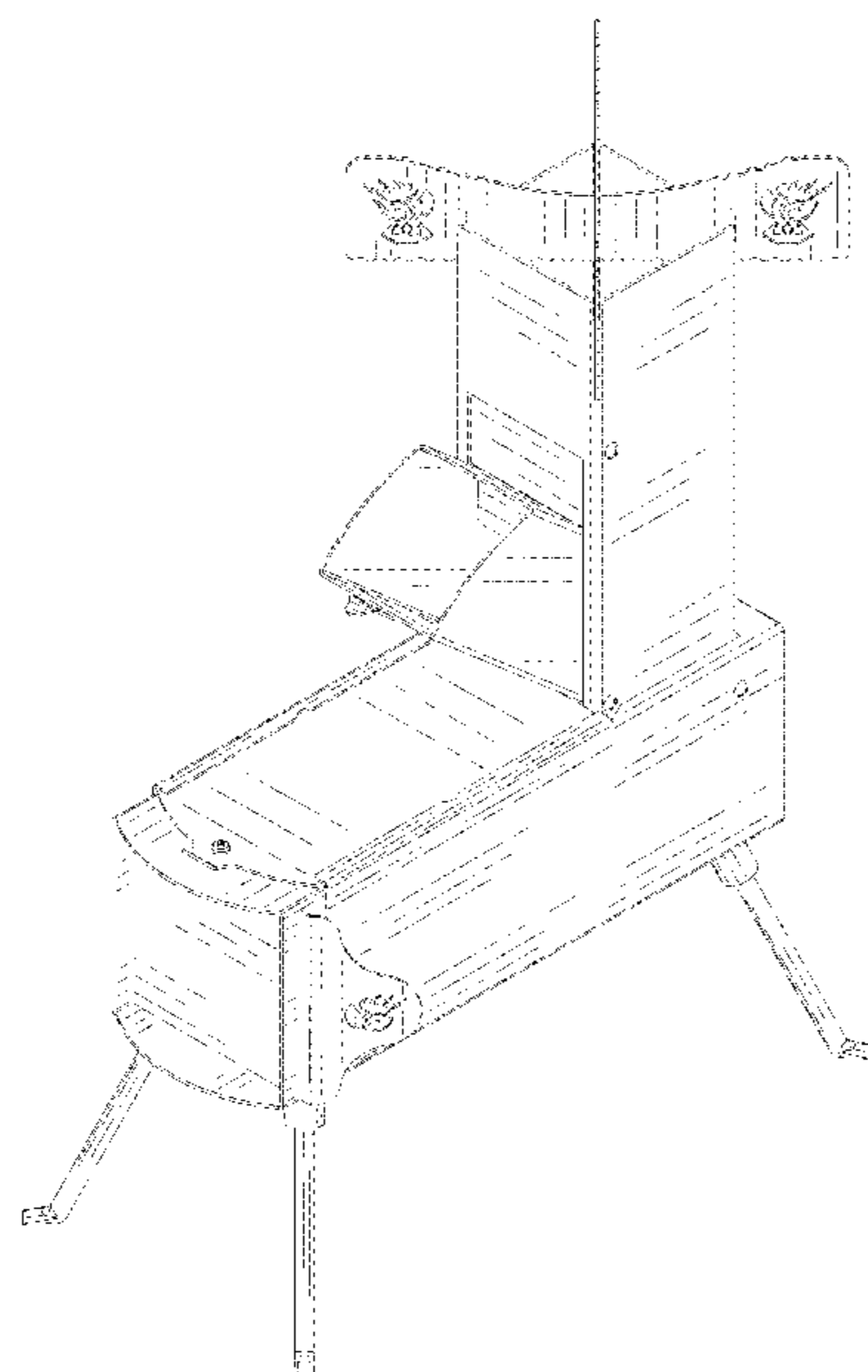
(57) **CLAIM**

The ornamental design for a cooking stove, as shown and described.

DESCRIPTION

FIG. 1 is a perspective view of a cooking stove, showing my new design;
FIG. 2 is another perspective view thereof;
FIG. 3 is a front view thereof;
FIG. 4 is a rear view thereof;
FIG. 5 is a left side view thereof;
FIG. 6 is a right side view thereof;
FIG. 7 is a top plan view thereof; and,
FIG. 8 is a bottom plan view thereof.
The broken lines shown in the drawings illustrate portions of the cooking stove that form no part of the claimed design.

1 Claim, 8 Drawing Sheets



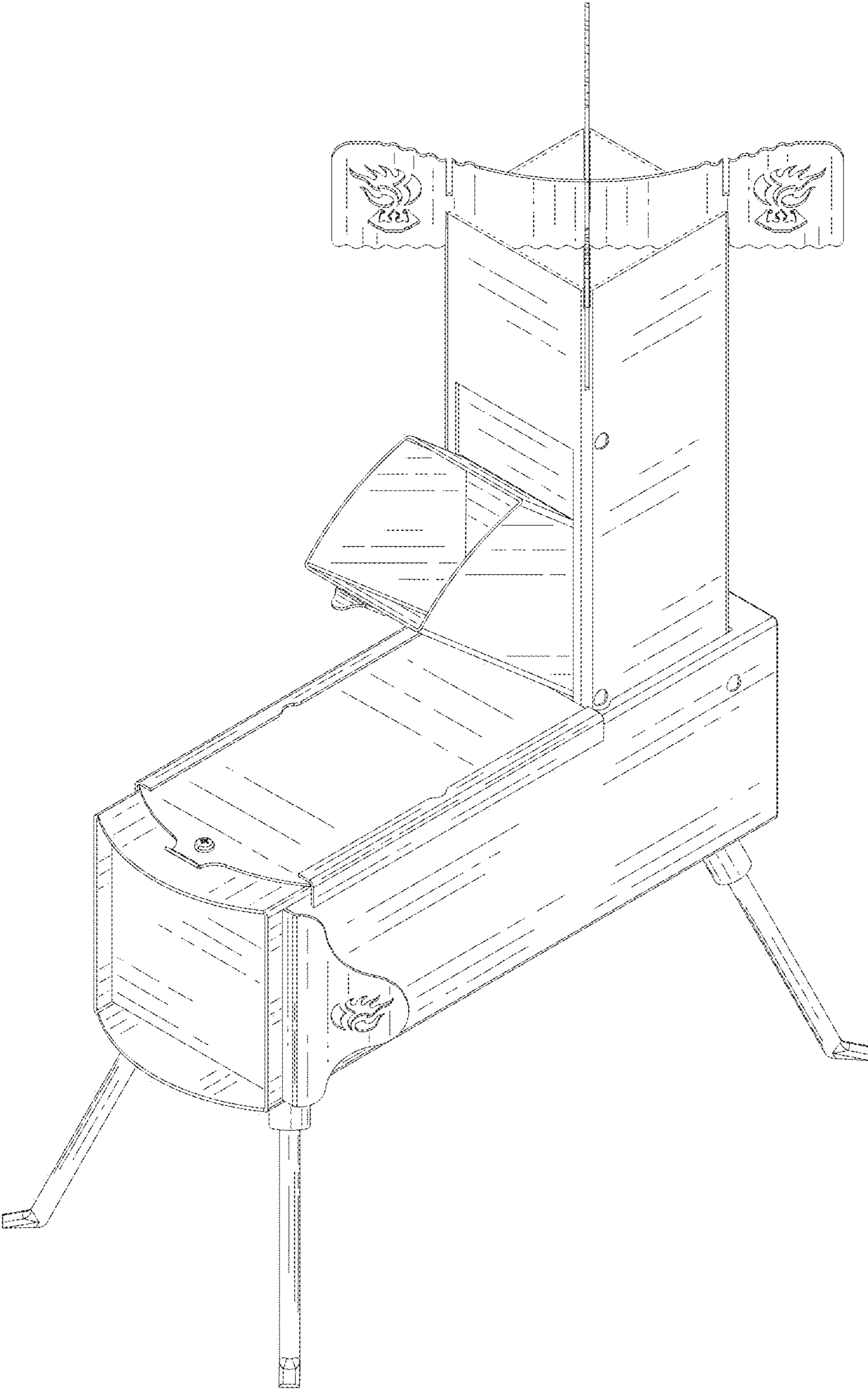


FIG. 1

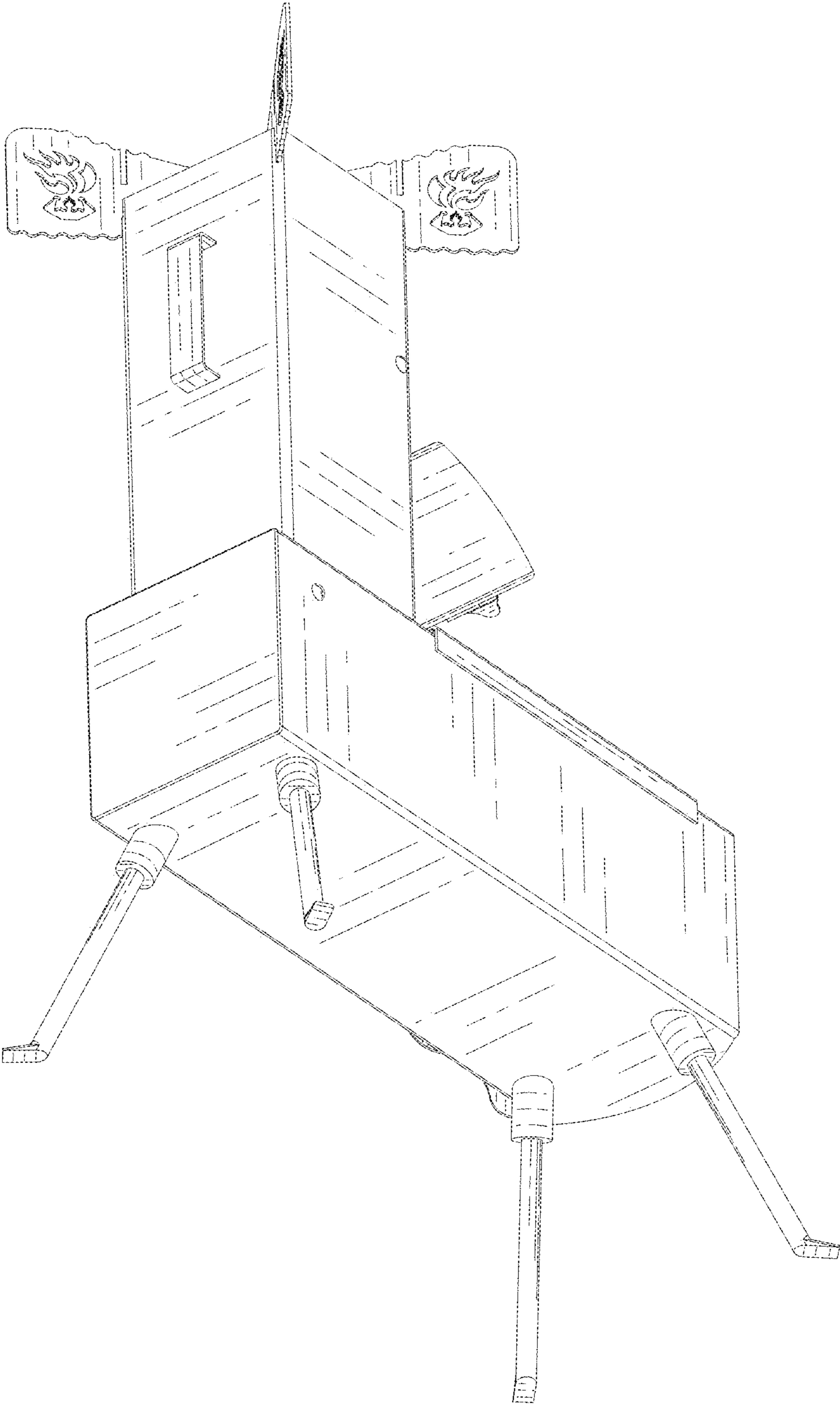


FIG. 2

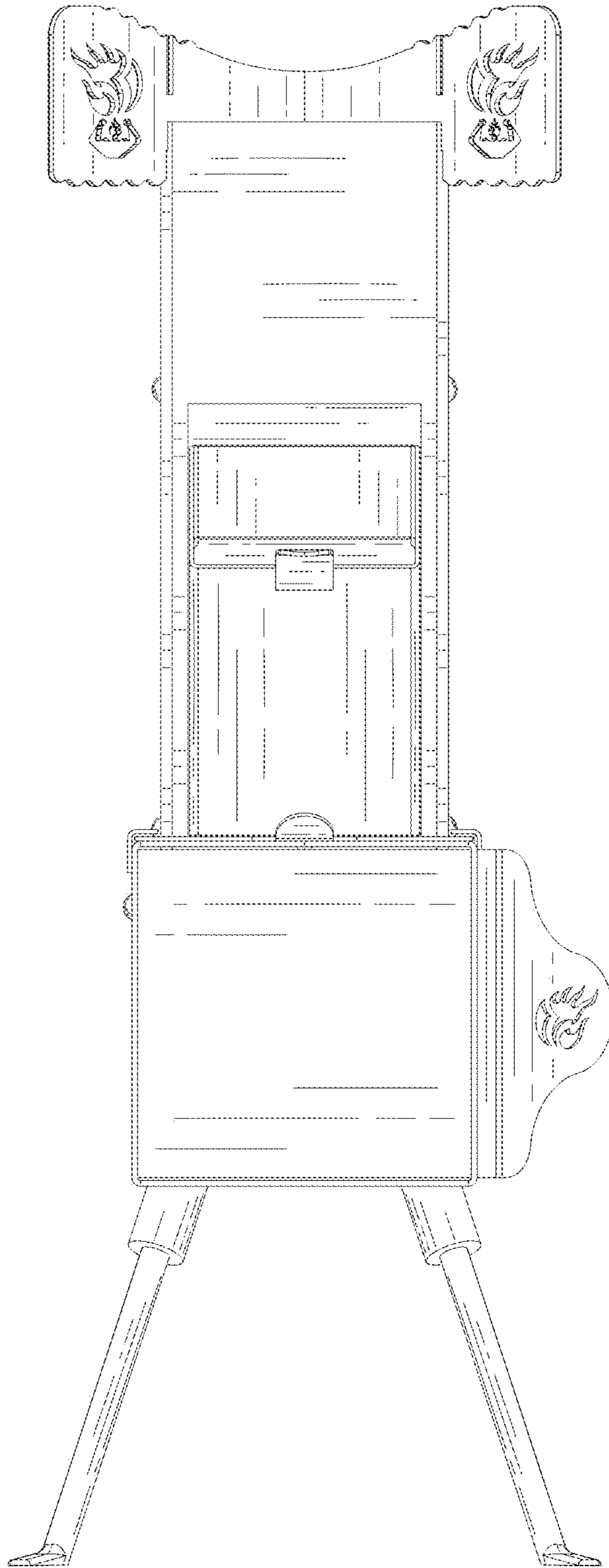


FIG. 3

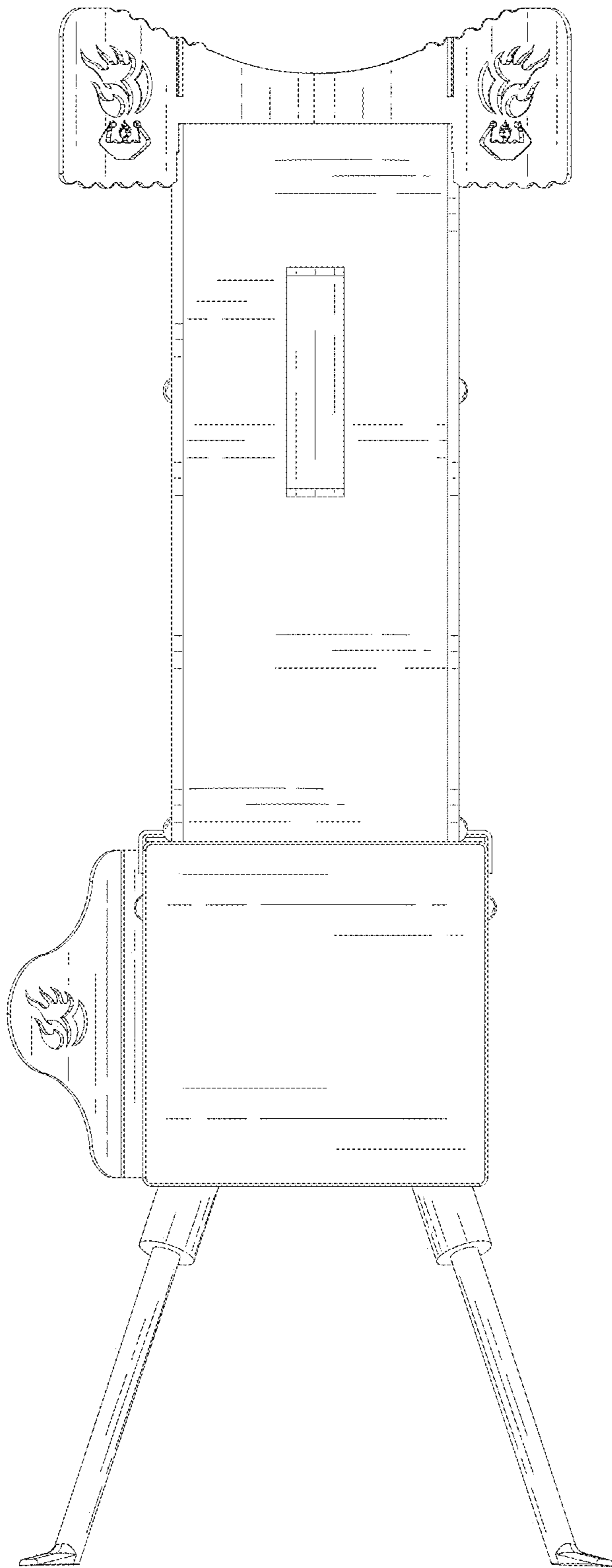


FIG. 4

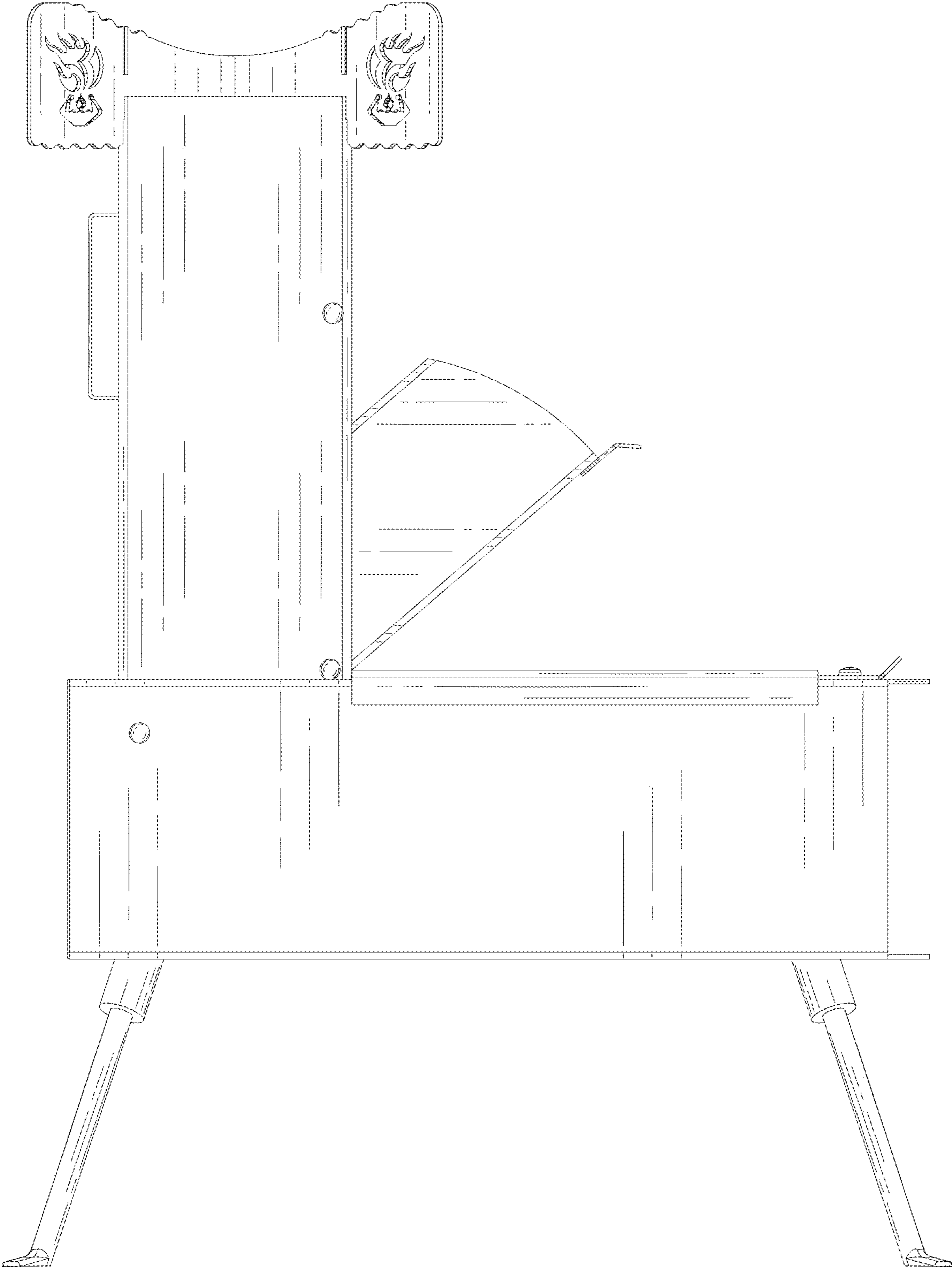


FIG. 5

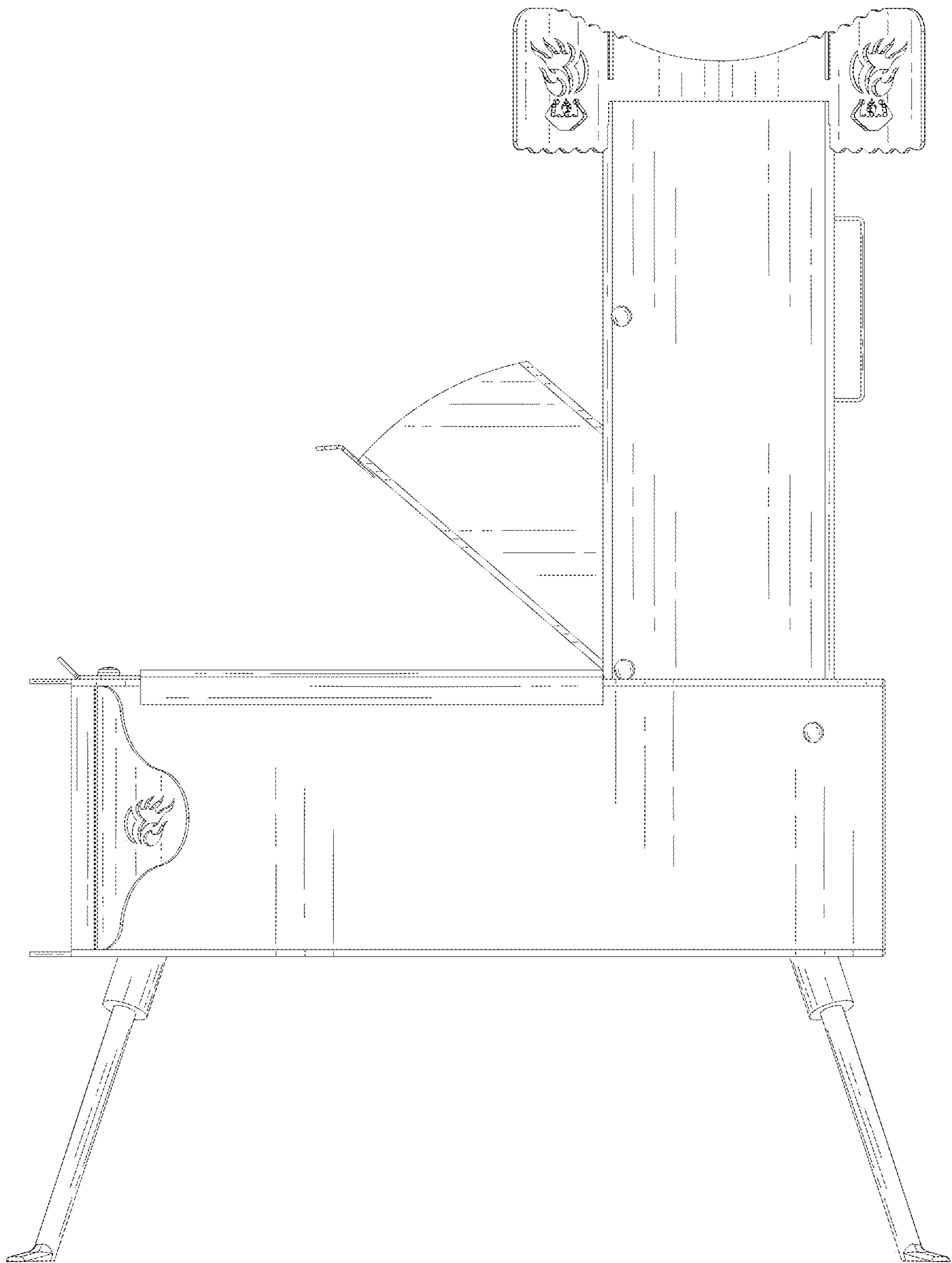


FIG. 6

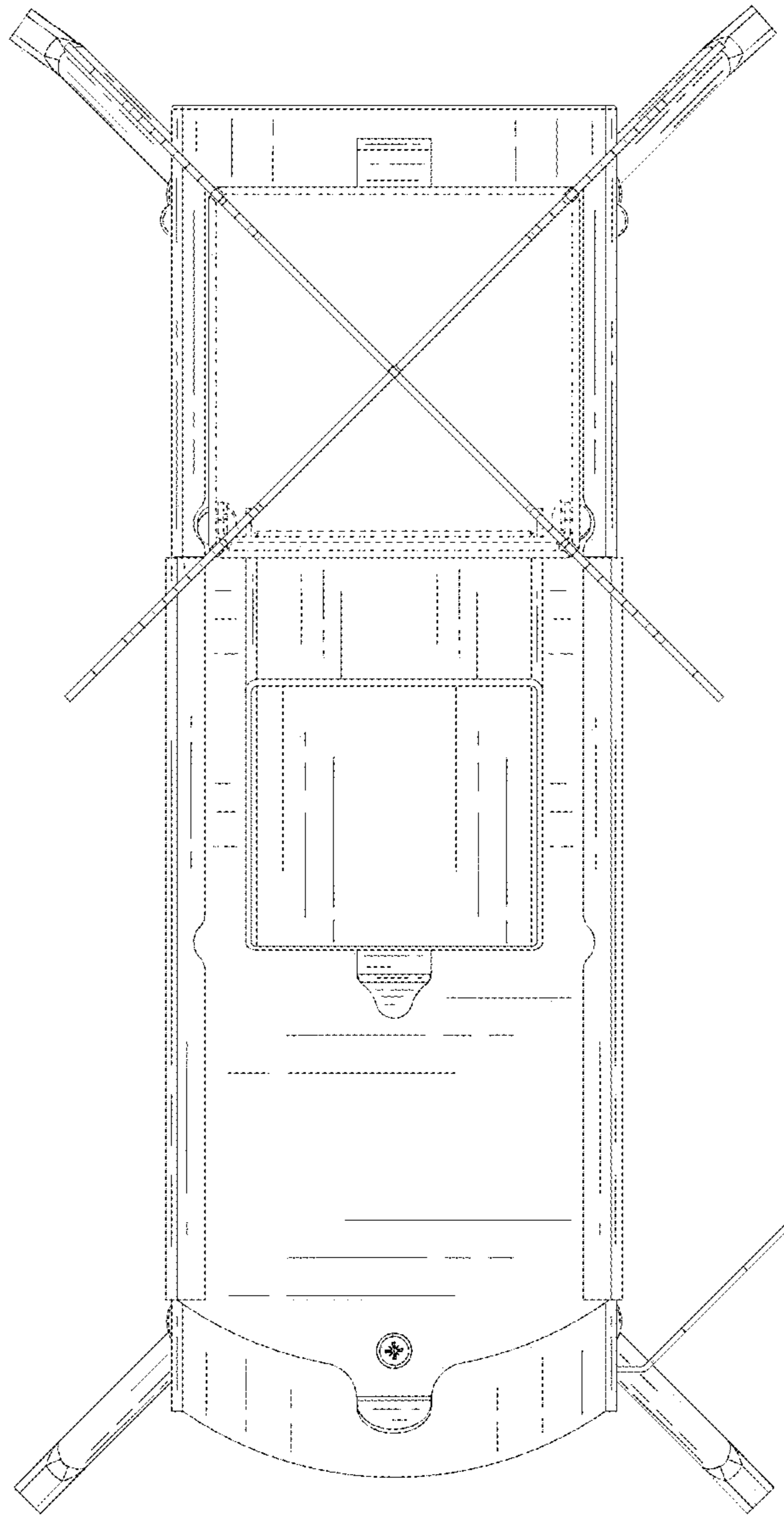


FIG. 7

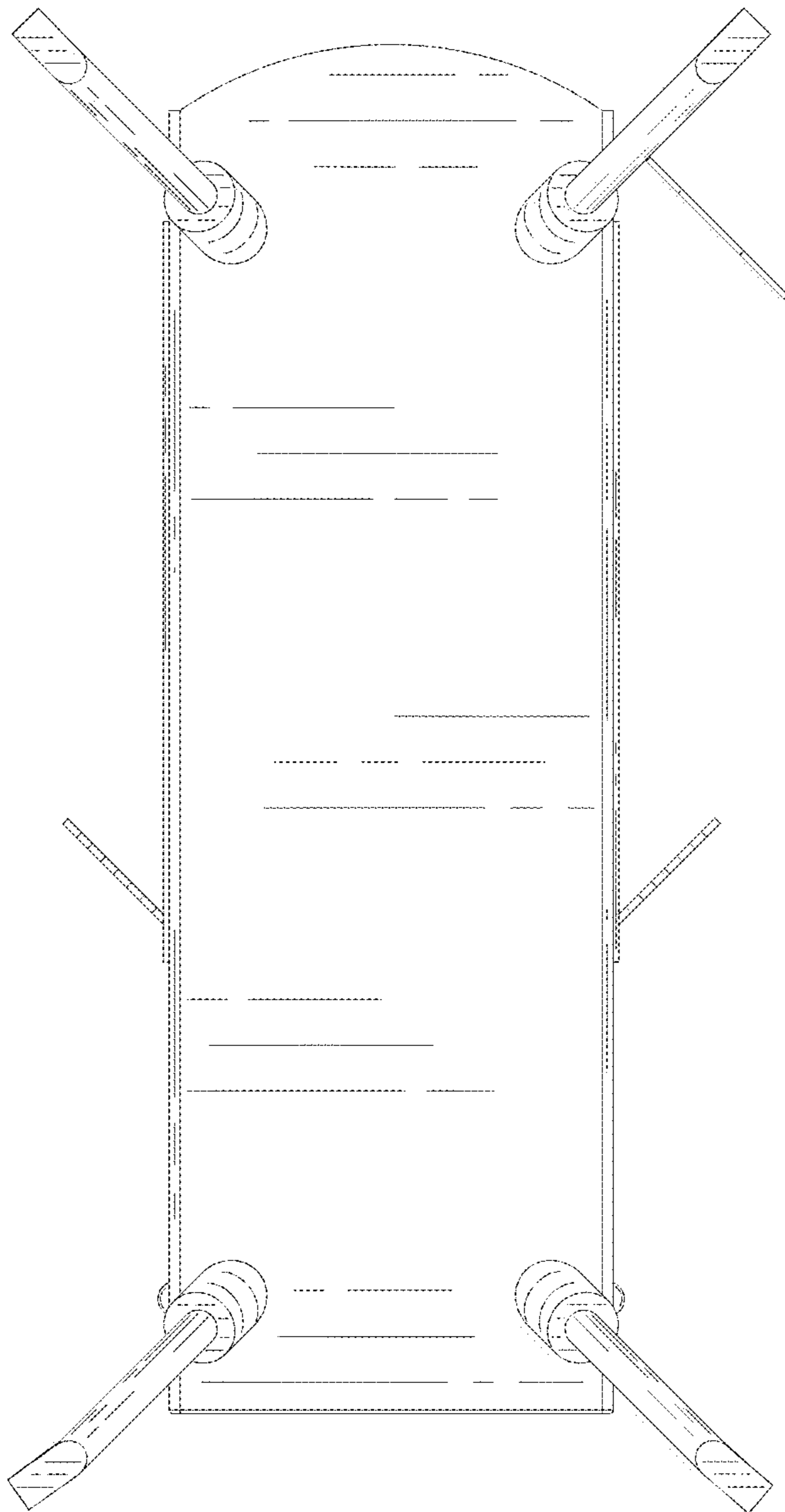


FIG. 8