



US0D1022565S

(12) **United States Design Patent** (10) **Patent No.:** **US D1,022,565 S**
Lisiecki (45) **Date of Patent:** **** Apr. 16, 2024**

- (54) **BEVERAGE DISPENSER**
- (71) Applicant: **Micro Matic USA, Inc.**, Brooksville, FL (US)
- (72) Inventor: **Joseph Lisiecki**, Spring Hill, FL (US)
- (73) Assignee: **MICRO MATIC USA, INC.**
- (**) Term: **15 Years**
- (21) Appl. No.: **29/772,661**
- (22) Filed: **Mar. 3, 2021**
- (51) **LOC (14) Cl.** **31-00**
- (52) **U.S. Cl.**
USPC **D7/307; D7/311; D7/313**
- (58) **Field of Classification Search**
USPC **D7/300, 306-313, 397-399; D23/207, D23/209**
CPC . **B67D 1/02; B67D 1/025; B67D 1/04; B67D 1/0406; B67D 1/0418; B67D 1/0425; B67D 1/1252**
See application file for complete search history.

2018/0339894 A1* 11/2018 Chu B67D 1/0859
 2019/0256337 A1* 8/2019 Bhutani B67D 1/06
 2022/0281734 A1* 9/2022 Lisiecki B67D 1/07

FOREIGN PATENT DOCUMENTS

GB 8091298000-4000 * 6/2016
 WO D218179-001 * 3/2022

OTHER PUBLICATIONS

Micro Matic—Beverage Dispensing, Facebook post, Oct. 18, 2017, Facebook, www.facebook.com/photo/?fbid=1101687646601412&set=pb.100064878422110.-2207520000 (Year: 2017).*

(Continued)

Primary Examiner — Joseph Kukella
Assistant Examiner — Arva P Adams
 (74) *Attorney, Agent, or Firm* — Burr & Forman LLP;
 Ryan M. Corbett

(57) **CLAIM**

The ornamental design for a beverage dispenser, as shown and described.

DESCRIPTION

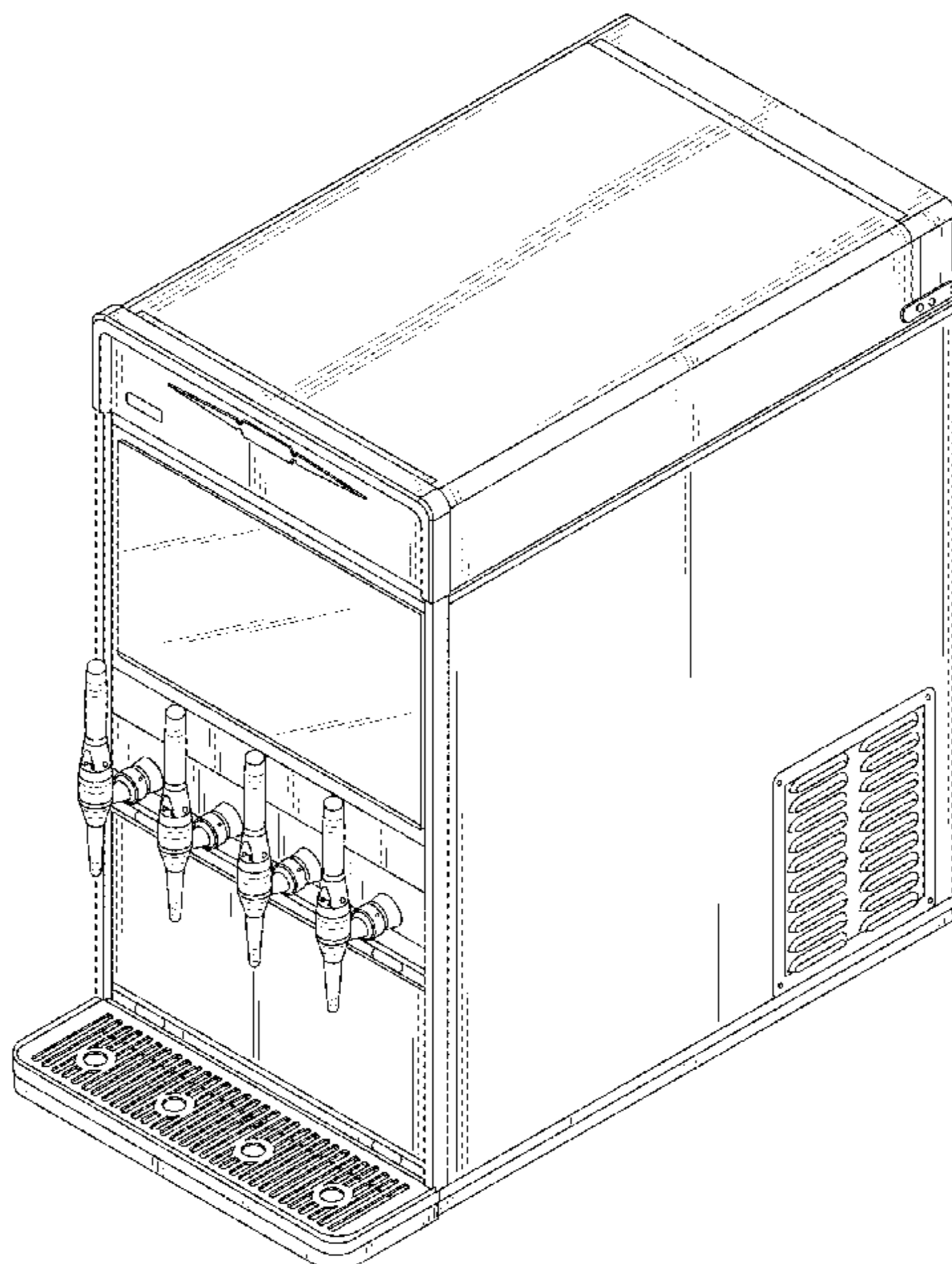
FIG. 1 is a front perspective view of a beverage dispenser comprising my design;
 FIG. 2 is a front view of the beverage dispenser of FIG. 1;
 FIG. 3 is a back view of the beverage dispenser of FIG. 1;
 FIG. 4 is a right side view of the beverage dispenser of FIG. 1;
 FIG. 5 is a left side view of the beverage dispenser of FIG. 1;
 FIG. 6 is a top view of the beverage dispenser of FIG. 1; and,
 FIG. 7 is a bottom view of the beverage dispenser of FIG. 1.

1 Claim, 7 Drawing Sheets

(56) **References Cited**

U.S. PATENT DOCUMENTS

3,084,613	A *	4/1963	Maxson	A47J 31/401 99/323.1
D205,394	S *	8/1966	Richeson	D7/311
3,422,634	A *	1/1969	Brown	F25D 31/003 62/394
D319,943	S *	9/1991	Sexton	D7/311
D573,392	S *	7/2008	Smith	D7/311
D646,924	S *	10/2011	Coleman	D7/397
D732,872	S *	6/2015	Kalik	D7/307
D770,214	S *	11/2016	Kadyk	D7/307
9,623,383	B1 *	4/2017	Kleinrichert	B01F 23/2362
2018/0317524	A1 *	11/2018	Jennings, III	B01F 35/833



(56)

References Cited

OTHER PUBLICATIONS

Bunn Commercial, "Experience Nitron at HostMilano—Pavilion 22 S28 T27," Oct. 15, 2019, www.facebook.com/BUNN.Commercial/photos/a.282825978447233/2576988692364272/ (Year: 2019).*

McCorquodale, Amanda, "Equipping for Nitro Coffee," Feb. 3, 2020, Foodservice Equipment Reports Magazine, www.fermag.com/articles/9780-equipping-for-nitro-coffee/, p. 2 (Year: 2020).*

* cited by examiner

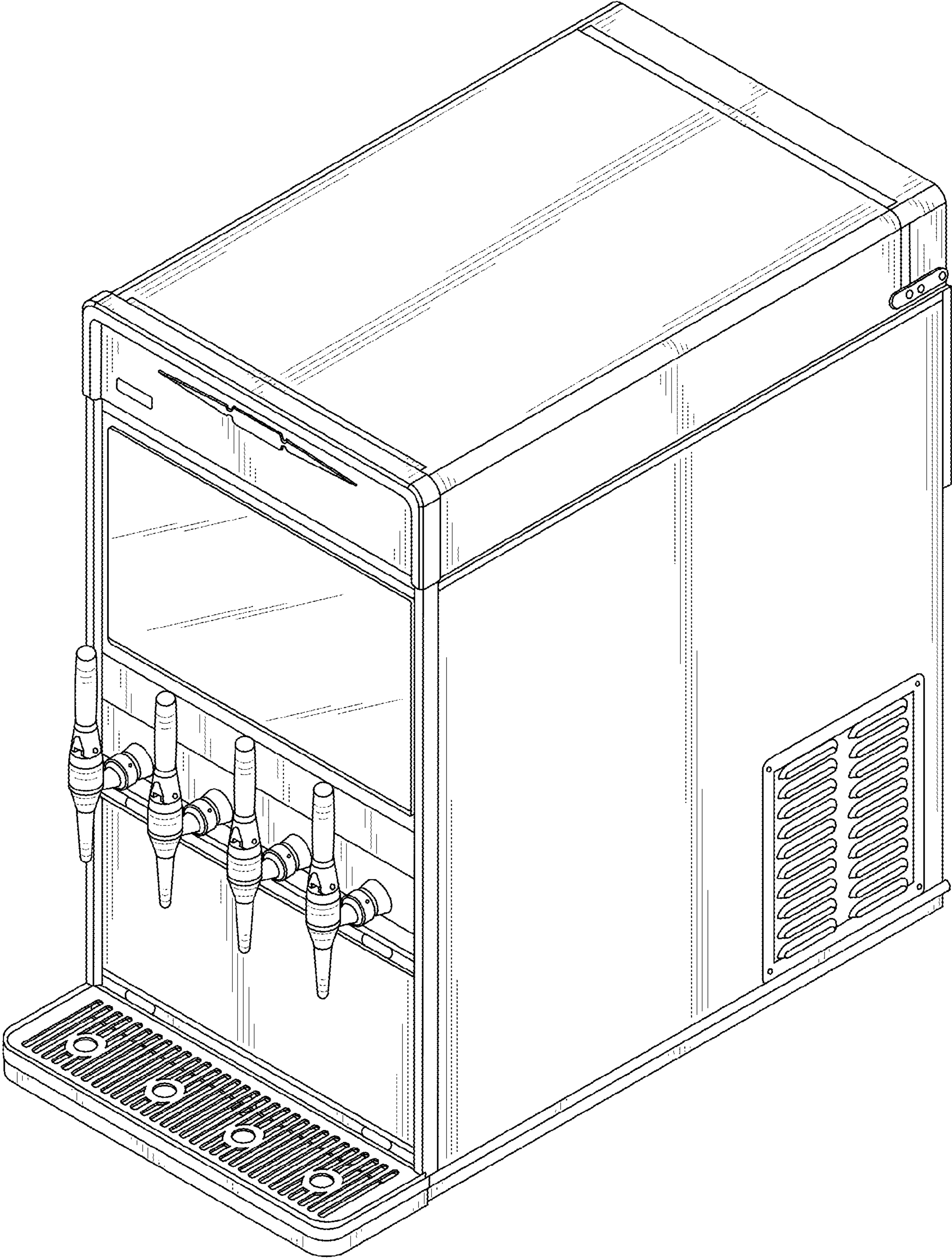


FIG. 1

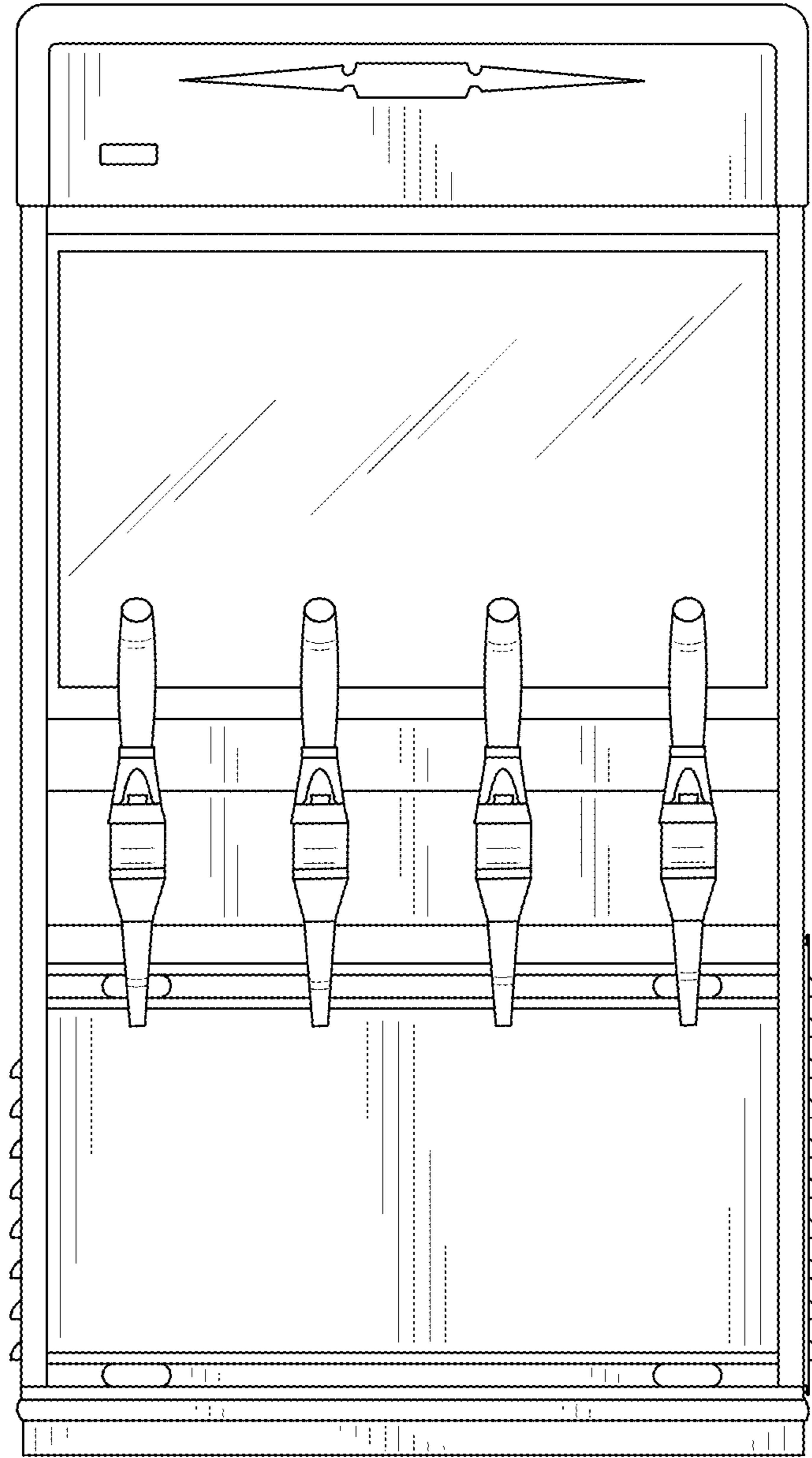


FIG. 2

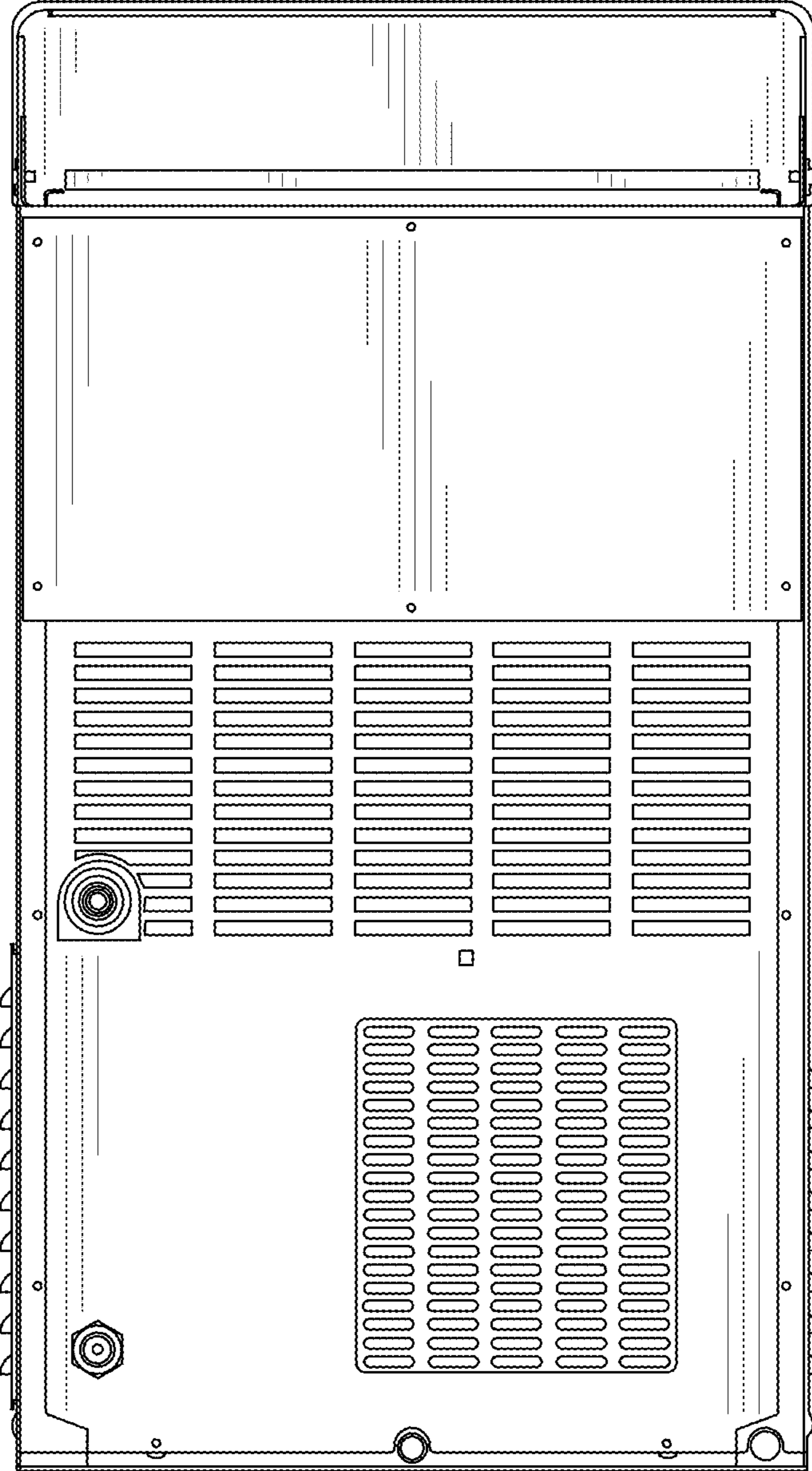


FIG. 3

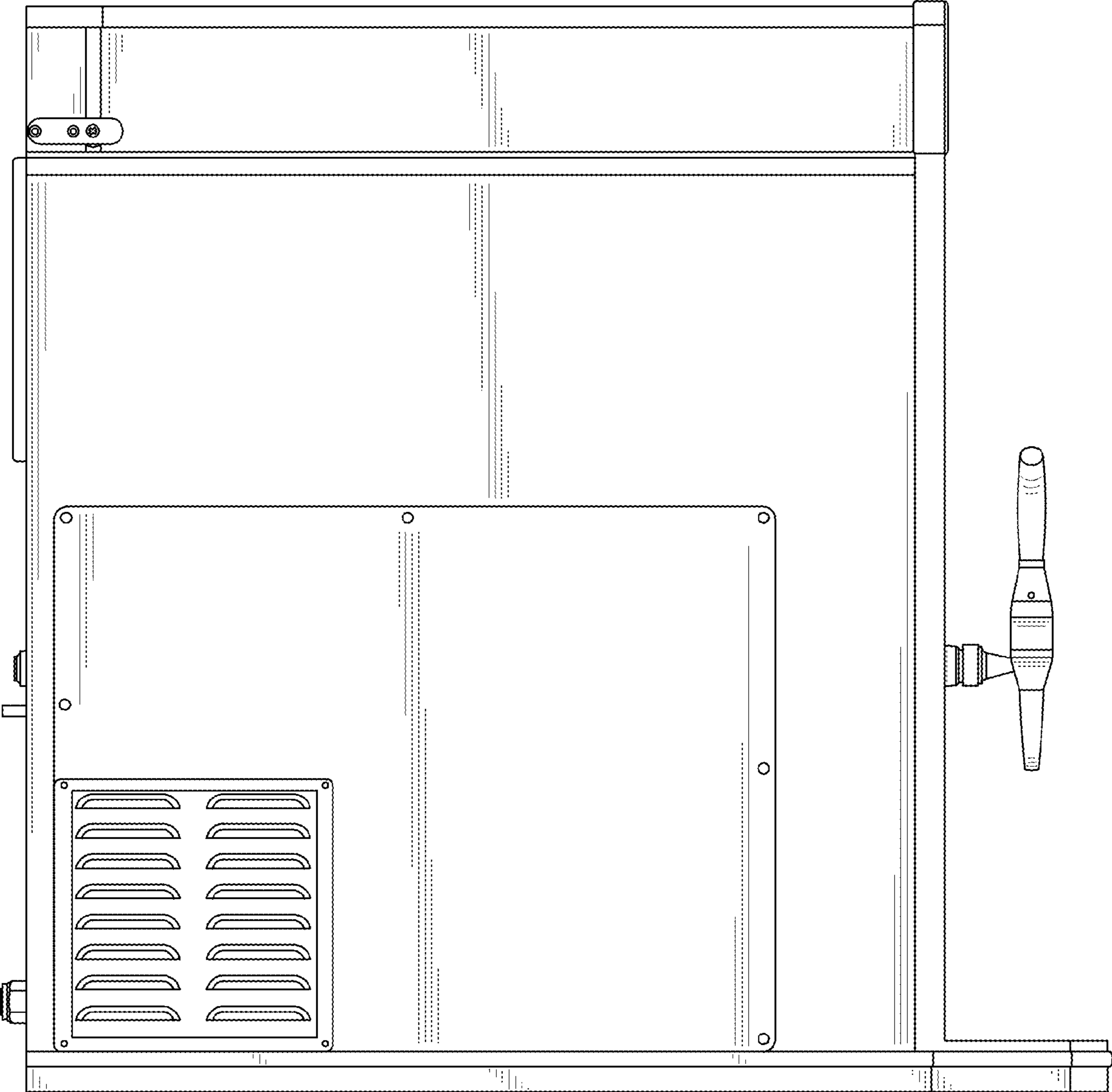


FIG. 4

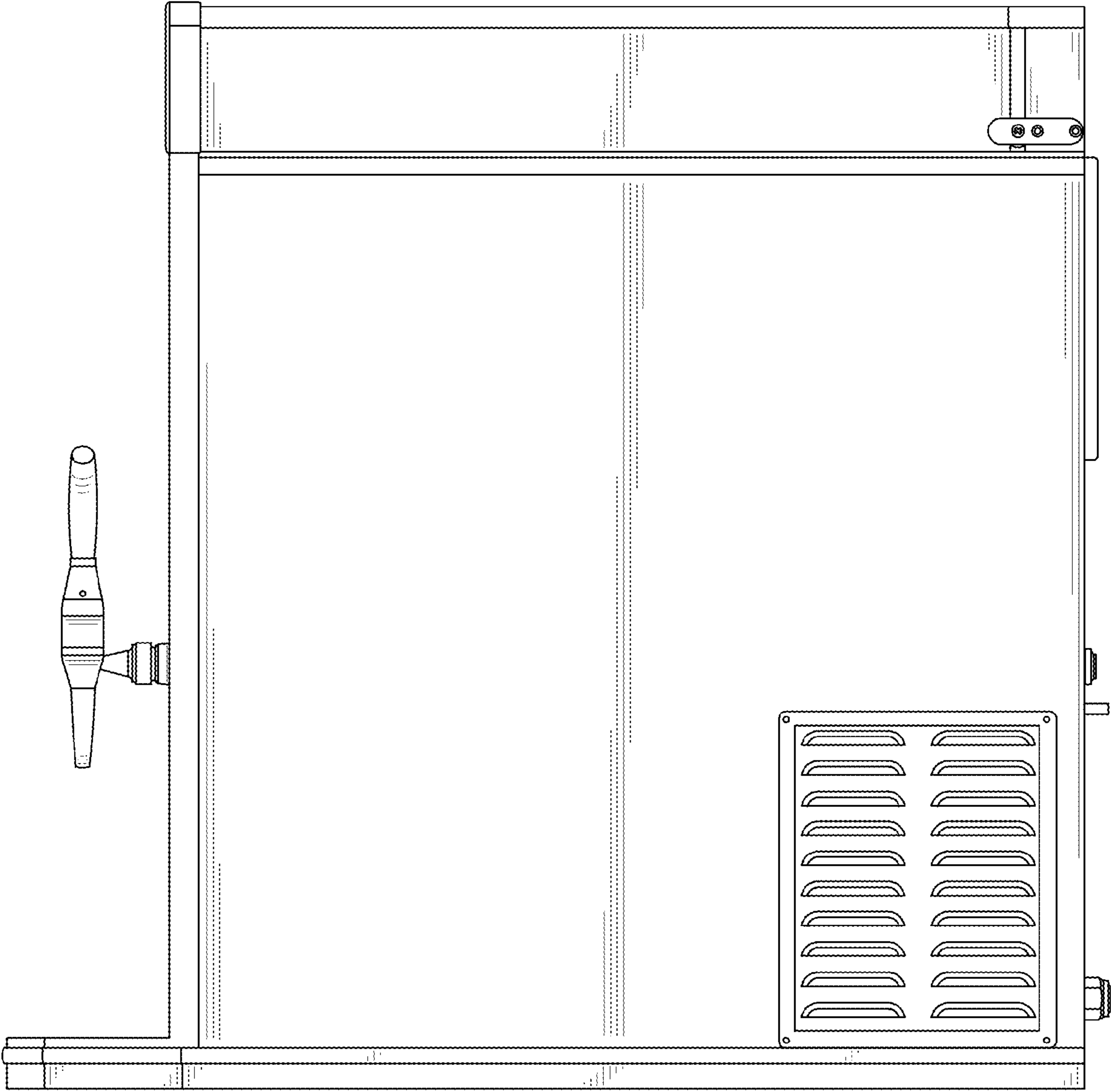


FIG. 5

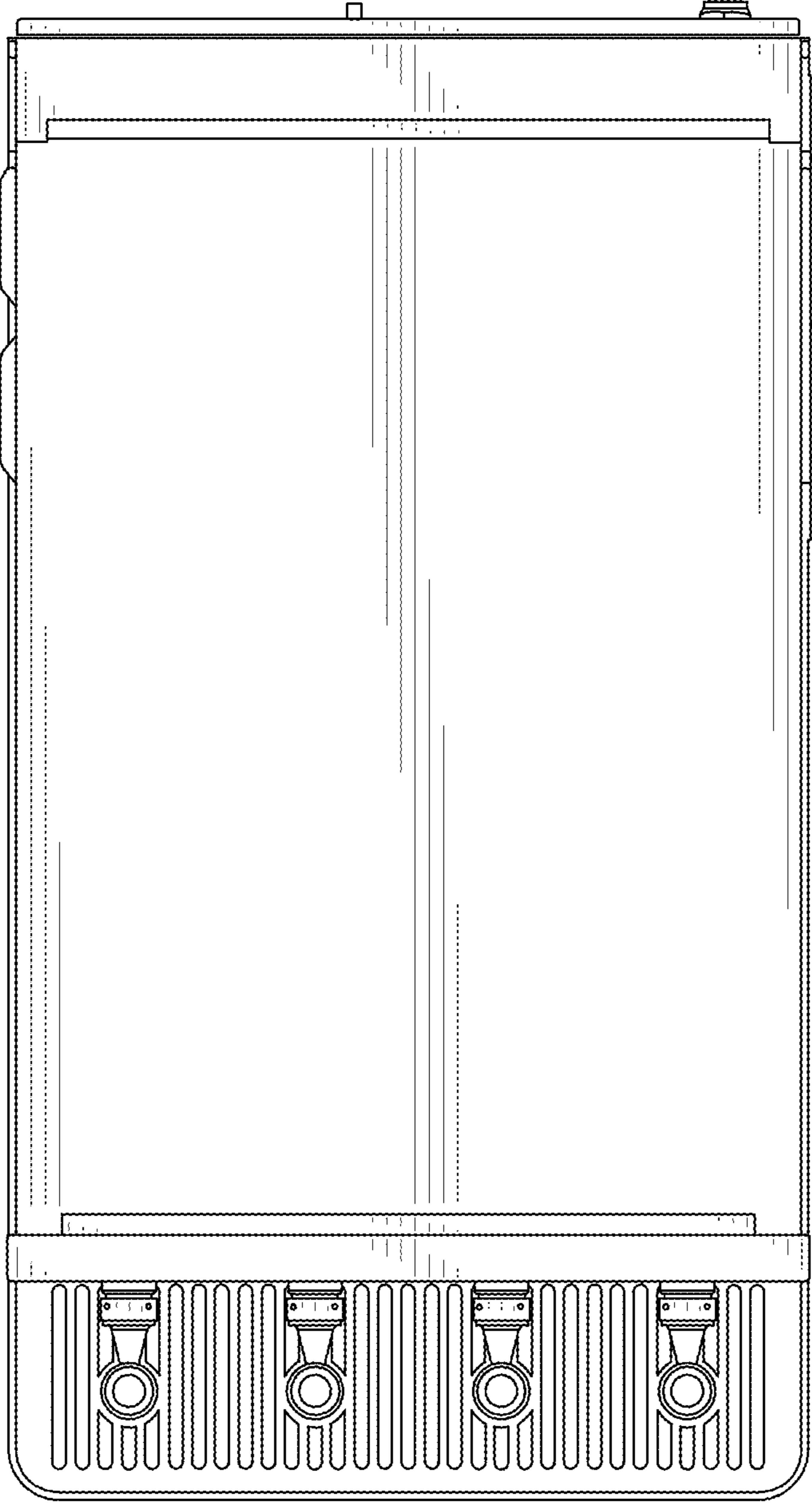


FIG. 6

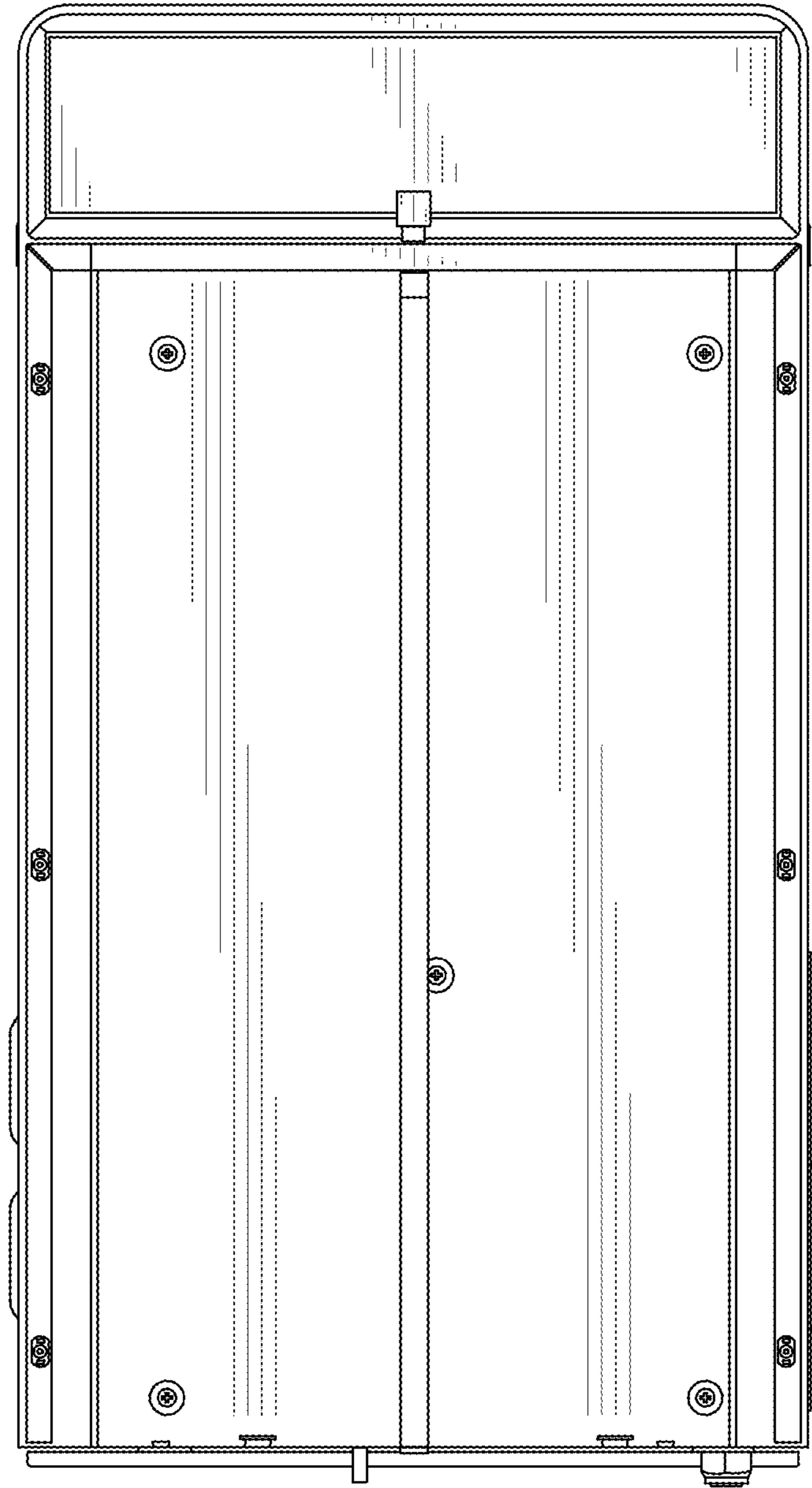


FIG. 7