



US0D1022556S

(12) **United States Design Patent** (10) **Patent No.:** **US D1,022,556 S**  
**Chen** (45) **Date of Patent:** **\*\* Apr. 16, 2024**

(54) **TABLE**  
(71) Applicant: **Sophia & William Brands Co. LTD,**  
Nanjing (CN)  
(72) Inventor: **Meidi Chen,** Nanjing (CN)  
(73) Assignee: **Sophia & William Brands Co. LTD,**  
Nanjing (CN)  
(\*\*) Term: **15 Years**  
(21) Appl. No.: **29/797,259**  
(22) Filed: **Jun. 29, 2021**

(30) **Foreign Application Priority Data**  
Jun. 18, 2021 (CN) ..... 202130377553.X  
(51) **LOC (14) Cl.** ..... **06-03**  
(52) **U.S. Cl.**  
USPC ..... **D6/691.6; D6/702**  
(58) **Field of Classification Search**  
USPC ..... D6/641, 656, 656.1, 656.13, 685, 689,  
D6/690, 691, 691.1, 691.6, 707, 707.19,  
D6/329, 686, 687, 691.2, 691.3, 691.7,  
D6/708, 711  
CPC ..... A47B 37/04; A47B 7/00  
See application file for complete search history.

(56) **References Cited**  
**U.S. PATENT DOCUMENTS**  
5,318,260 A \* 6/1994 Kemnitz ..... A47B 13/02  
248/188.91  
D404,594 S \* 1/1999 Muller ..... D6/691.3  
D462,854 S \* 9/2002 Corning ..... D6/691.3  
D596,427 S \* 7/2009 Lee ..... D6/711  
D652,654 S \* 1/2012 Lin ..... D6/691.1  
8,161,891 B2 \* 4/2012 Palese ..... A47B 1/08  
108/50.01  
8,387,544 B1 \* 3/2013 Lee ..... A47B 13/08  
108/90

D696,542 S \* 12/2013 Stromborg ..... D6/708  
D702,468 S \* 4/2014 Pedersen ..... D6/708  
D716,596 S \* 11/2014 Pedersen ..... D6/708  
D766,632 S \* 9/2016 Akana ..... D6/702  
D766,633 S \* 9/2016 Akana ..... D6/702  
D858,157 S \* 9/2019 Tham ..... D6/689  
D871,810 S \* 1/2020 West ..... D6/691.1  
(Continued)

**FOREIGN PATENT DOCUMENTS**

CN 303186732 \* 4/2015  
CN 307577645 \* 10/2022

**OTHER PUBLICATIONS**

MF Studio Outdoor Rectangle Dining Table 60" Metal Table Suitable for 6 People, available in Walmart.com, customer review oldest date Jun. 7, 2021 [online], [site visited Mar. 21, 2023], Available from internet URL: <https://www.walmart.com/ip/MF-Studio-Outdoor-Rectangle-Dining-Table-60-Metal-Table-Suitable-f> (Year: 2021).\*

(Continued)

*Primary Examiner* — Jennifer L Watkins  
*Assistant Examiner* — Bryan C Gusman  
(74) *Attorney, Agent, or Firm* — MILES & STOCKBRIDGE P.C.; David R. Schaffer

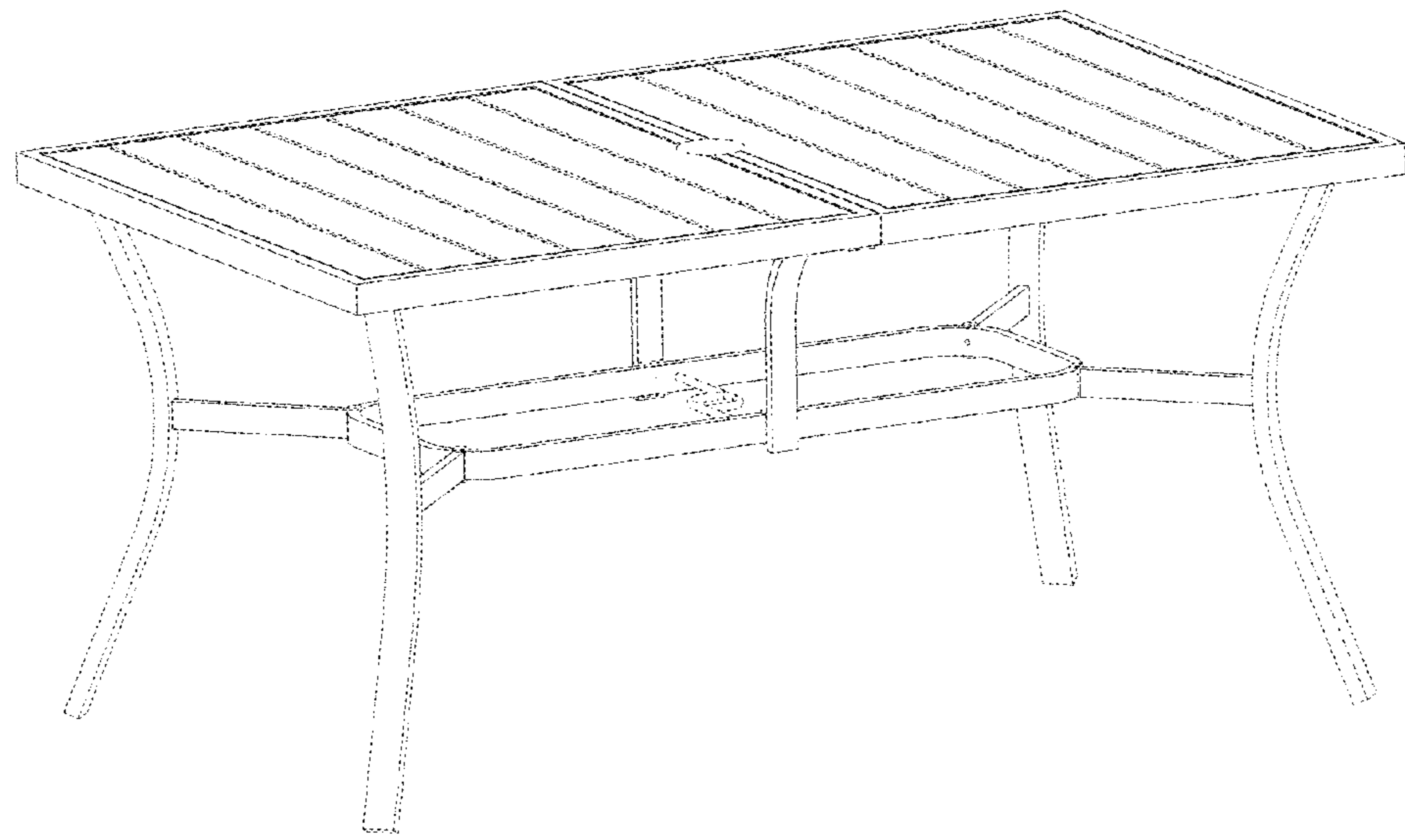
(57) **CLAIM**

The ornamental design for a table, as shown and described.

**DESCRIPTION**

FIG. 1 is a perspective view of a table showing the new design;  
FIG. 2 is a front view thereof;  
FIG. 3 is a rear view thereof;  
FIG. 4 is a left side elevational view thereof;  
FIG. 5 is a right side elevational view thereof; and,  
FIG. 6 is a top thereof.

**1 Claim, 6 Drawing Sheets**



(56)

**References Cited**

U.S. PATENT DOCUMENTS

D896,012 S \* 9/2020 Birch ..... D6/691.1  
 11,357,319 B1 \* 6/2022 Tham ..... A47B 13/00  
 D996,104 S \* 8/2023 Han ..... D6/691.1  
 2005/0274306 A1 \* 12/2005 Strong ..... A47B 13/08  
 108/115  
 2011/0239912 A1 \* 10/2011 Palese ..... A47B 1/08  
 108/85

OTHER PUBLICATIONS

Sophia & William 6-seat Outdoor Metal Table with Adjustable Umbrella Hole 1.57" or 1.9", available in Walmart.com, customer review oldest date May 22, 2021 [online], [site visited Mar. 21, 2023], Available from internet URL: <https://www.walmart.com/ip/Sophia-William-6-seat-Outdoor-Metal-Table-with-Adjusta> (Year: 2021).\*

Aivo Metal Outdoor Dining Table, available in Wayfair.com, customer review oldest date Mar. 10, 2021 [online], [site visited Mar. 21, 2023], Available from internet URL: <https://www.wayfair.com/outdoor/pdp/lark-manor-aivo-metal-dining-table-pvla1404.html> (Year: 2021).\*

Anazco Metal Outdoor Dining Table, available in Wayfair.com, customer review oldest date Mar. 1, 2022 [online], [site visited Mar. 21, 2023], Available from internet URL: <https://www.wayfair.com/outdoor/pdp/wade-logan-anazco-outdoor-patio-rectangular-metal-slatted-dining-table-w006863487.html?piid=> (Year: 2022).\*

\* cited by examiner

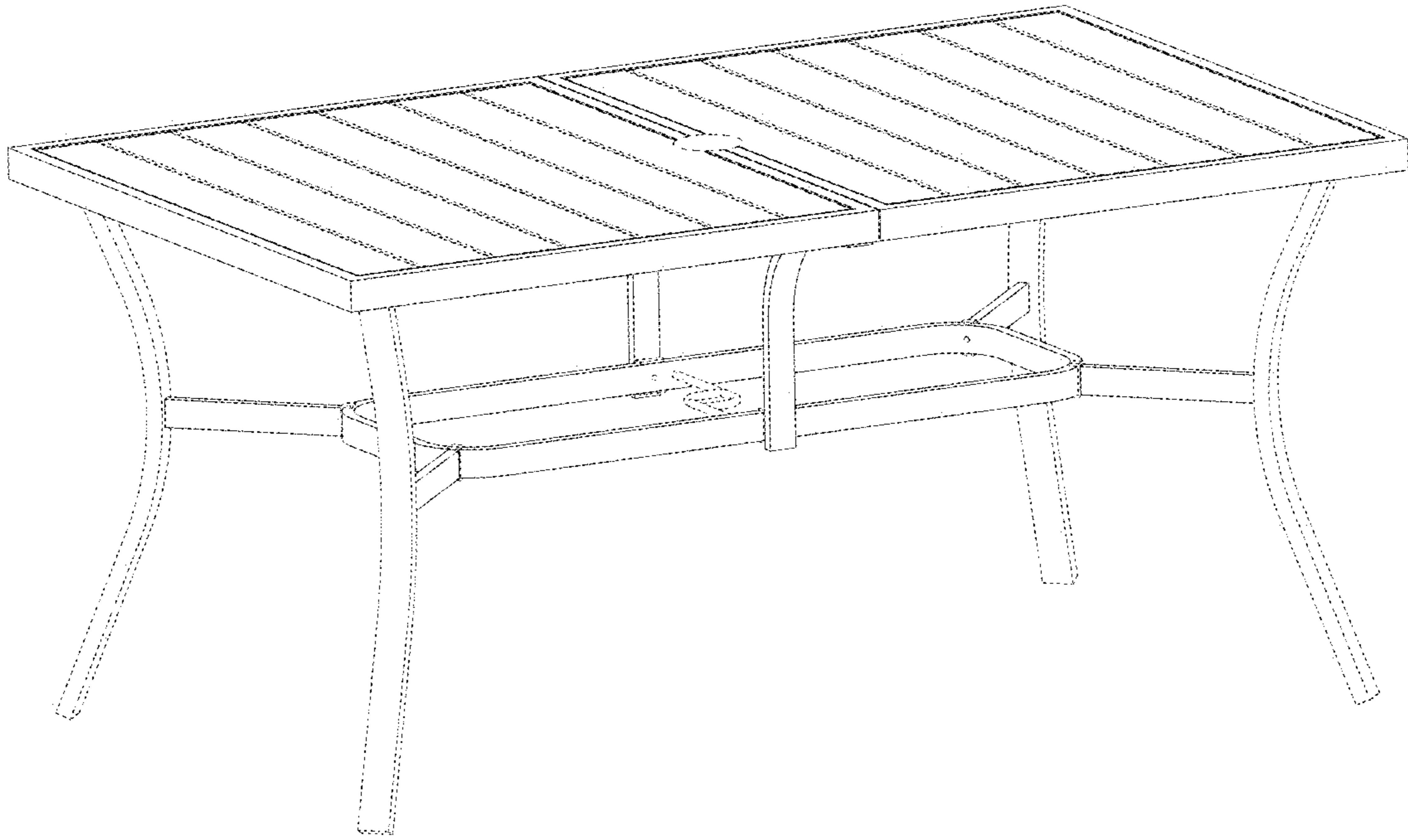


FIG.1

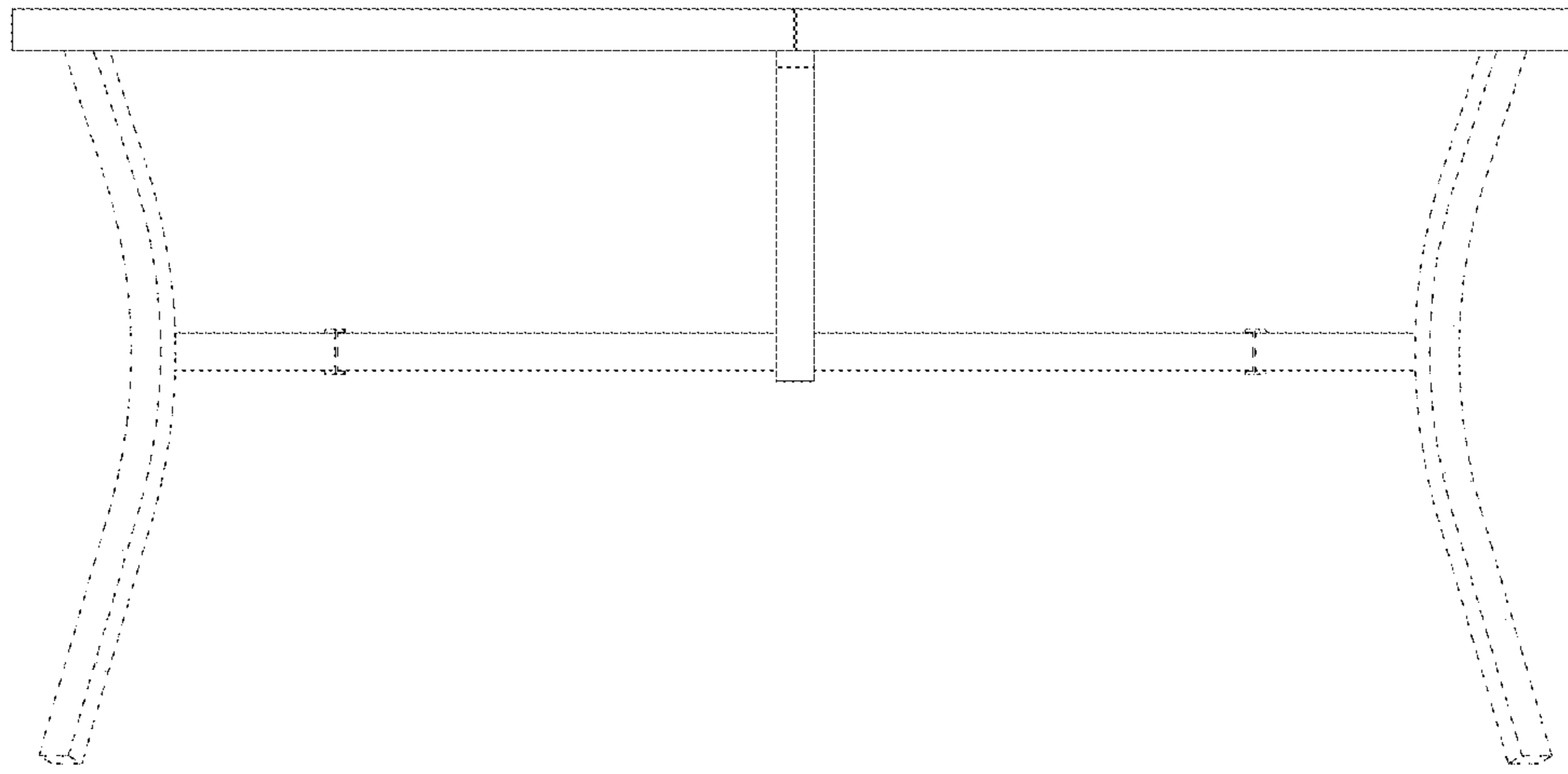


FIG.2

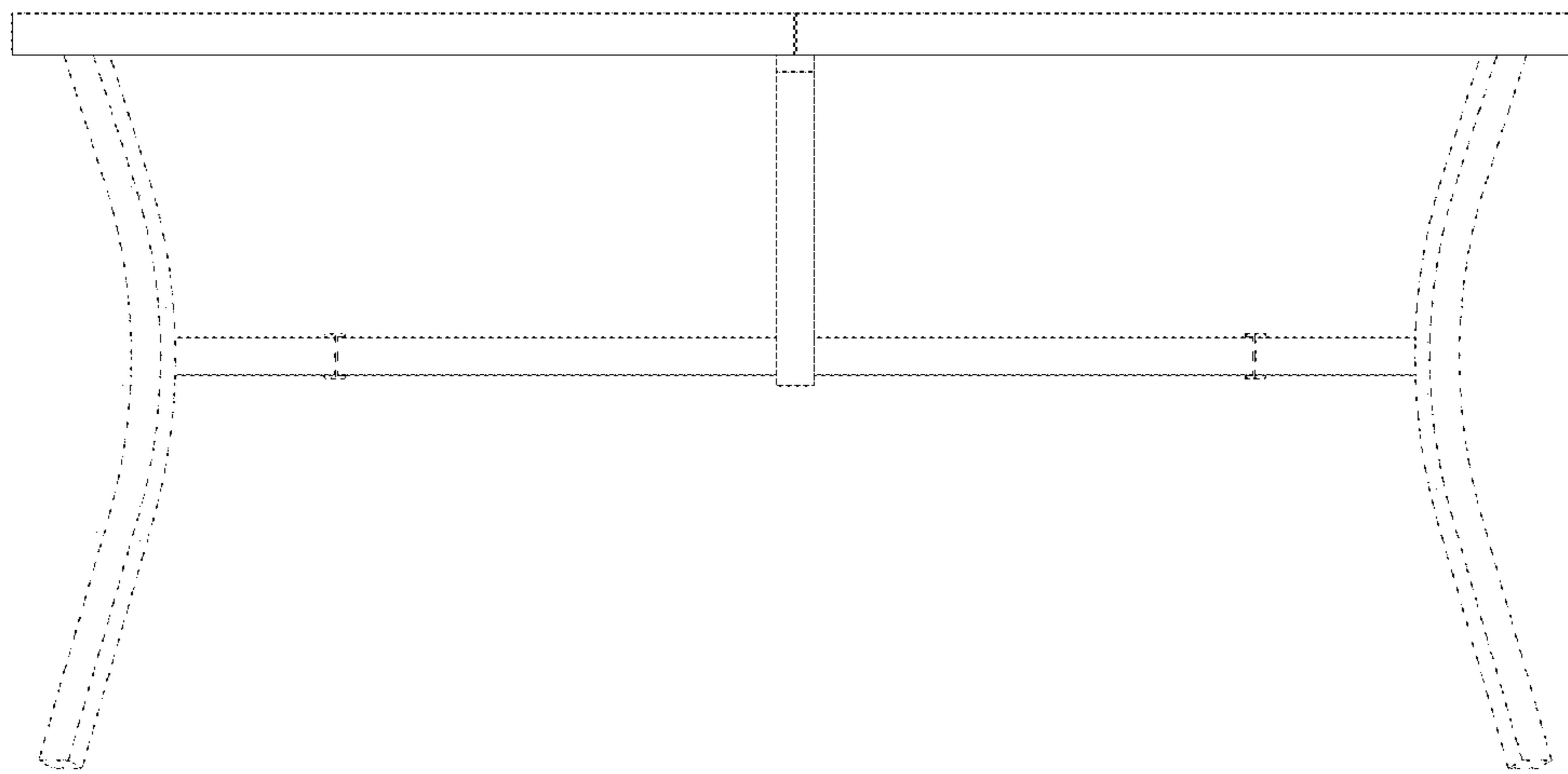


FIG.3

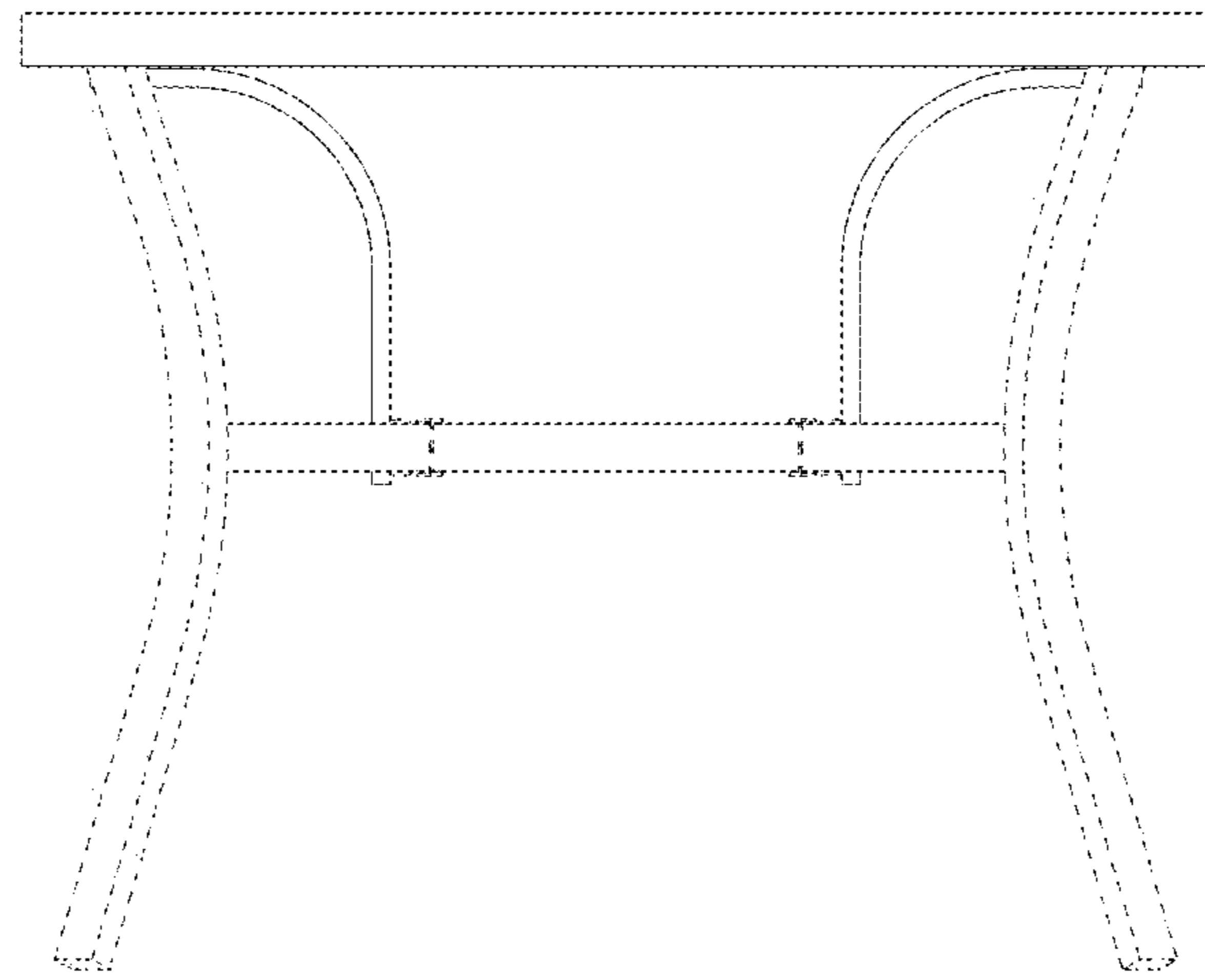


FIG. 4

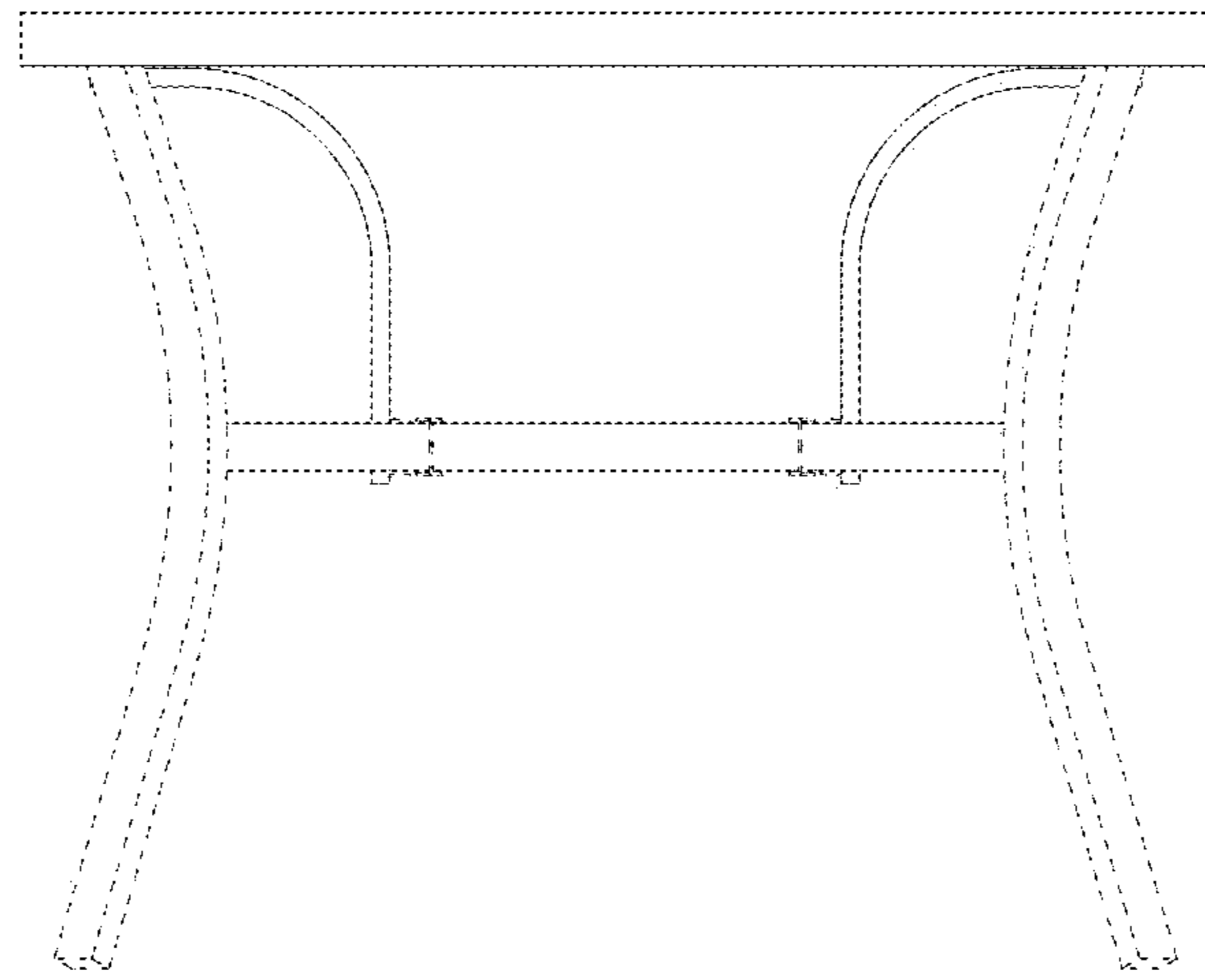


FIG. 5

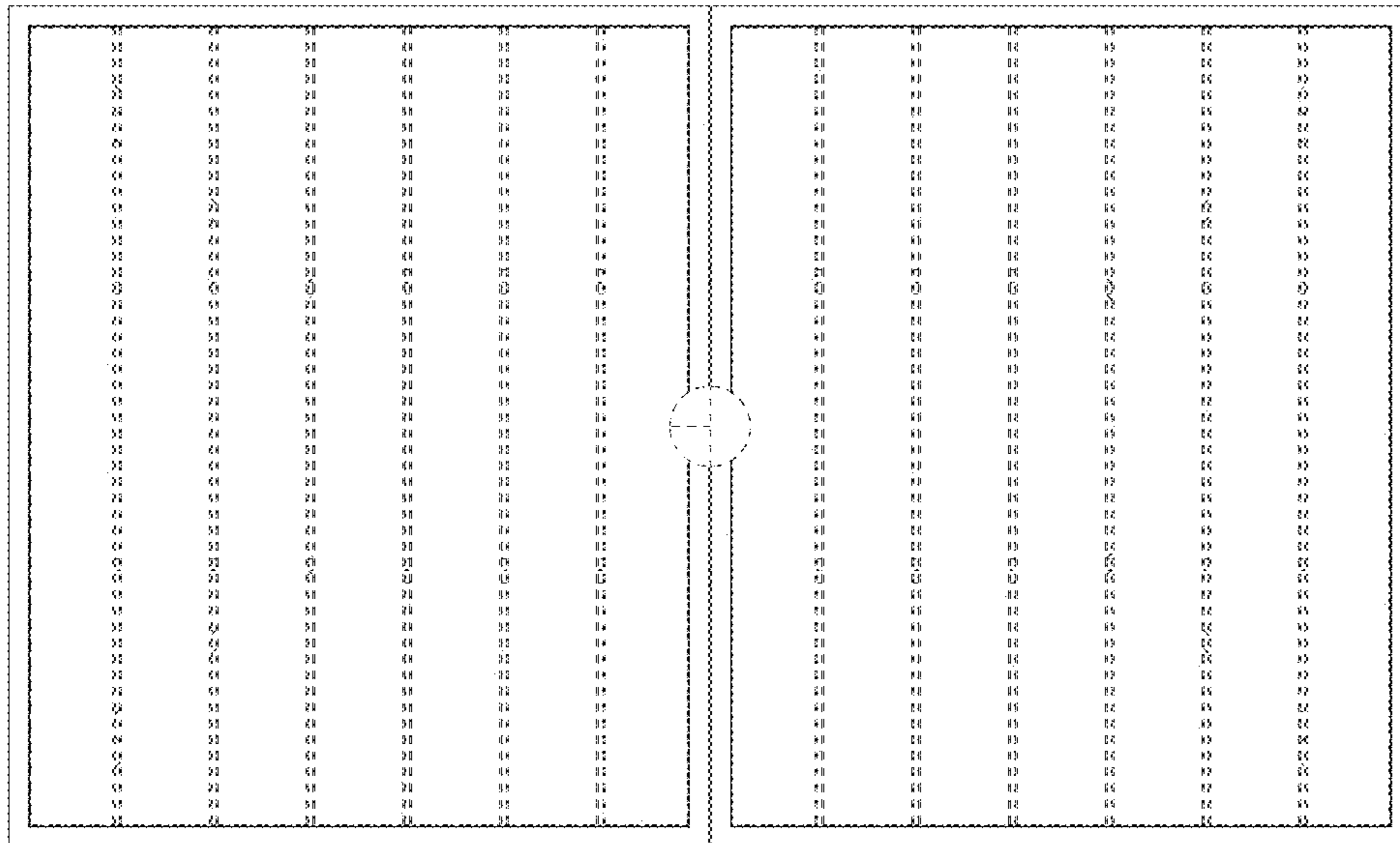


FIG. 6