



US0D1022549S

(12) **United States Design Patent** (10) **Patent No.:** **US D1,022,549 S**
Thornton (45) **Date of Patent:** **** Apr. 16, 2024**

(54) **TREE SCULPTURE BOOKCASE**
(71) Applicant: **Delta Enterprise Corp.**, New York, NY (US)
(72) Inventor: **Andrew Thornton**, New York, NY (US)
(73) Assignee: **Delta Enterprise Corp.**, New York, NY (US)

D307,987 S * 5/1990 Bustos D6/674
D442,804 S * 5/2001 Parks D11/139
D556,487 S * 12/2007 Boutin D6/567
D713,155 S * 9/2014 Fugere D6/302
(Continued)

(**) Term: **15 Years**

FOREIGN PATENT DOCUMENTS

CN 304290476 * 9/2017
CN 305405898 * 10/2019
CN 306075596 * 9/2020

(21) Appl. No.: **29/844,013**
(22) Filed: **Jun. 25, 2022**
(51) **LOC (14) Cl.** **06-04**
(52) **U.S. Cl.**
USPC **D6/674.1**
(58) **Field of Classification Search**
USPC D6/672, 674, 674.1, 678, 678.2
CPC A47B 47/00; A47B 47/04; A47B 47/042;
A47B 47/06; A47B 55/06; A47B 63/00;
A47F 7/14; A47F 7/141
See application file for complete search history.

OTHER PUBLICATIONS

Delta Tree Bookshelf, Amazon Listing (Dated to Feb. 5, 2023), Retrieved from the Internet (Sep. 8, 2023), URL:https://www.amazon.com/dp/B0BMJL12QY/ref=twister_B0BMQ1B96V?_encoding=UTF8&th=1 (Year: 2023).*
(Continued)

Primary Examiner — Steven J Czyz
Assistant Examiner — Varun Salil Kamat
(74) *Attorney, Agent, or Firm* — Richard M. Goldberg

(57) **CLAIM**

The ornamental design for a tree sculpture bookcase, as shown and described.

(56) **References Cited**

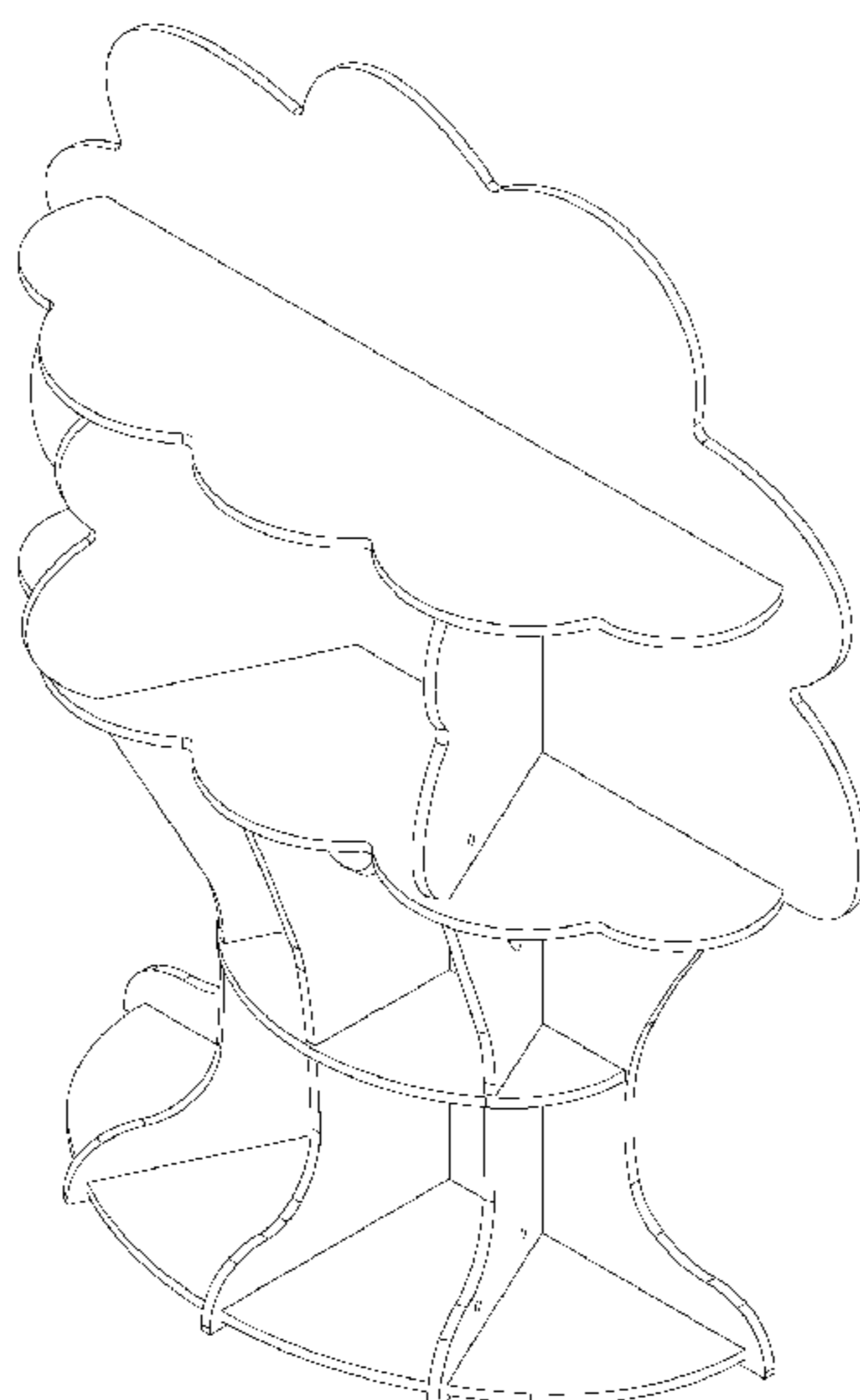
DESCRIPTION

U.S. PATENT DOCUMENTS

1,577,207 A * 3/1926 Dieperink-Langereis
A47G 33/06
D11/118
1,881,423 A * 10/1932 Favreau A47G 33/06
428/7
2,526,246 A * 10/1950 Leeper A47F 5/10
211/188
D167,627 S * 9/1952 Hartman D11/118
D212,601 S * 11/1968 Robenstein D6/348
D259,163 S * 5/1981 Leard D6/302
D273,312 S * 4/1984 Guertin D6/306
D276,055 S * 10/1984 Guertin D6/306
4,543,278 A * 9/1985 Ackerman A63H 33/00
248/205.2
D287,345 S * 12/1986 McLaughlin D11/118

FIG. 1 is a front perspective view of the tree sculpture bookcase of my design;
FIG. 2 is a front elevational view thereof;
FIG. 3 is a right side elevational view thereof;
FIG. 4 is a left side elevational view thereof;
FIG. 5 is a top plan view thereof;
FIG. 6 is a bottom plan view thereof;
FIG. 7 is a rear elevational view thereof; and,
FIG. 8 is a rear perspective view thereof.
The broken lines in the drawing are for the purpose of illustrating portions of the article which form no part of the claimed design.

1 Claim, 8 Drawing Sheets



(56)

References Cited

U.S. PATENT DOCUMENTS

9,084,497 B2 * 7/2015 Hawkins A47F 5/114
D753,423 S * 4/2016 Love D6/678.2
2010/0050491 A1 * 3/2010 Grange A47G 1/065
40/735

OTHER PUBLICATIONS

Guidecraft Tree Bookshelf, Amazon Listing (Posted on Mar. 30, 2022), Retrieved from the Internet (Sep. 28, 2023), URL: <https://www.amazon.com/Guidecraft-EdQ-Reading-Tree-Natural/dp/B09WVXKZ8R/ref=> (Year: 2022).*

Boingg Tree Bookshelf, Boingg Product Listing (Post Date Unknown), Retrieved from the Internet (Sep. 28, 2023), URL: <https://boingg.in/product/wisdom-tree-bookshelf/> (Year: 2023).*

* cited by examiner

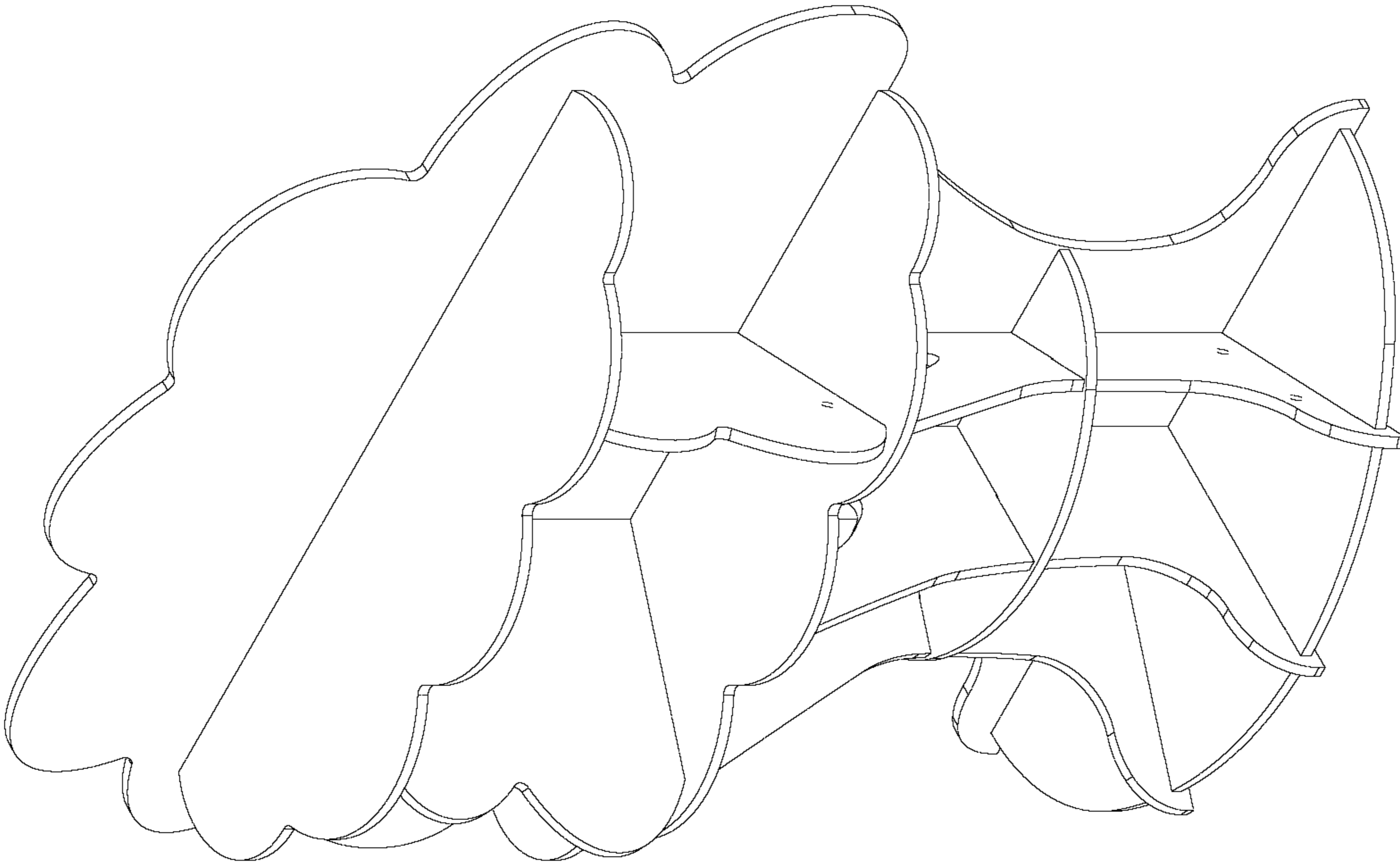


FIG. 1

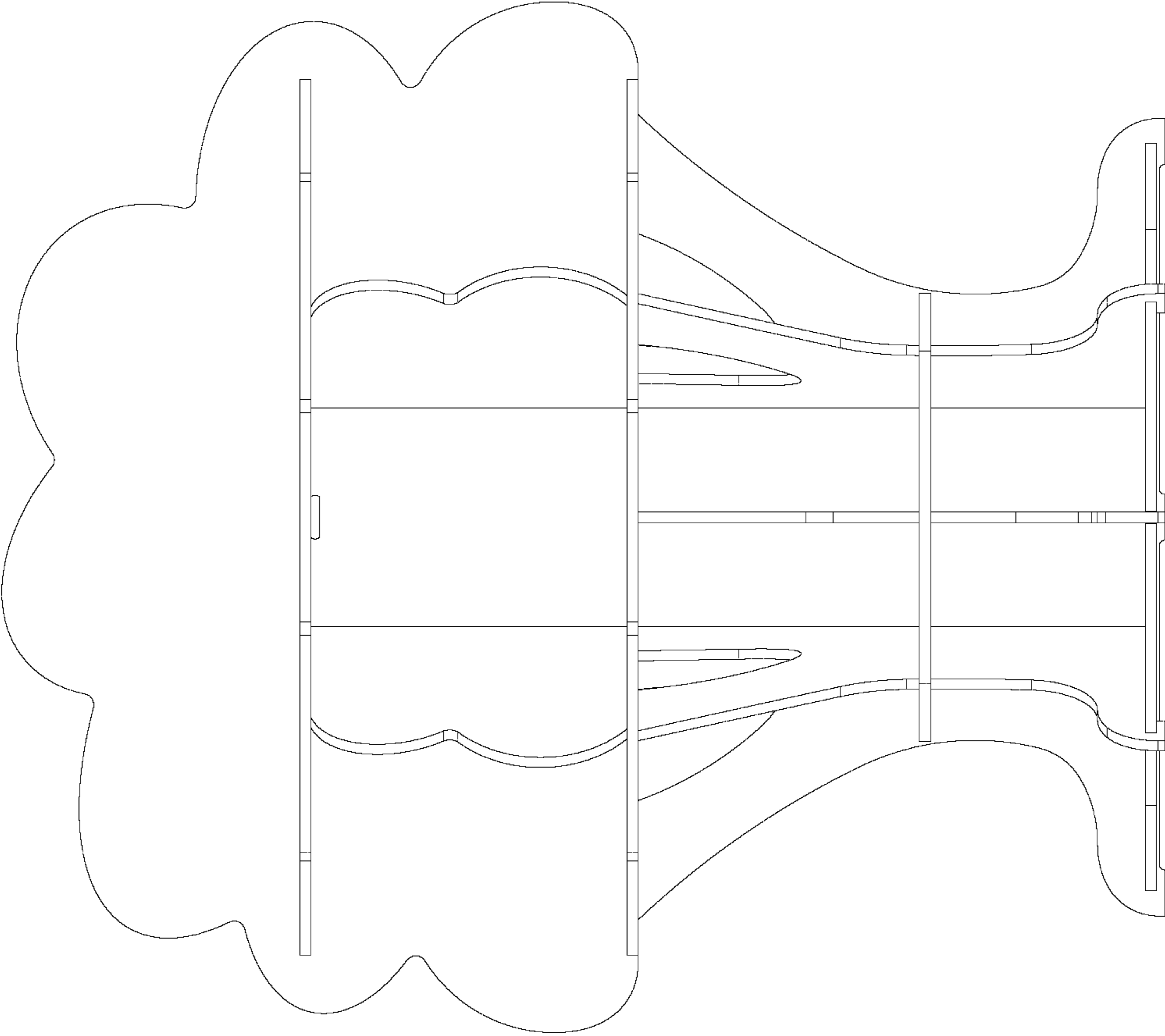


FIG. 2

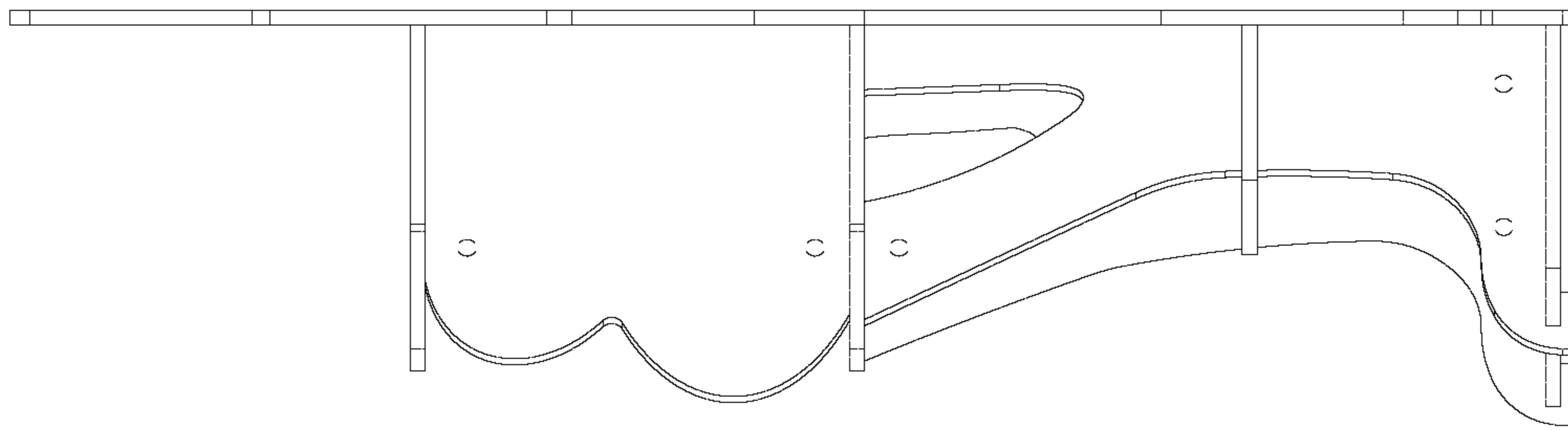


FIG. 3

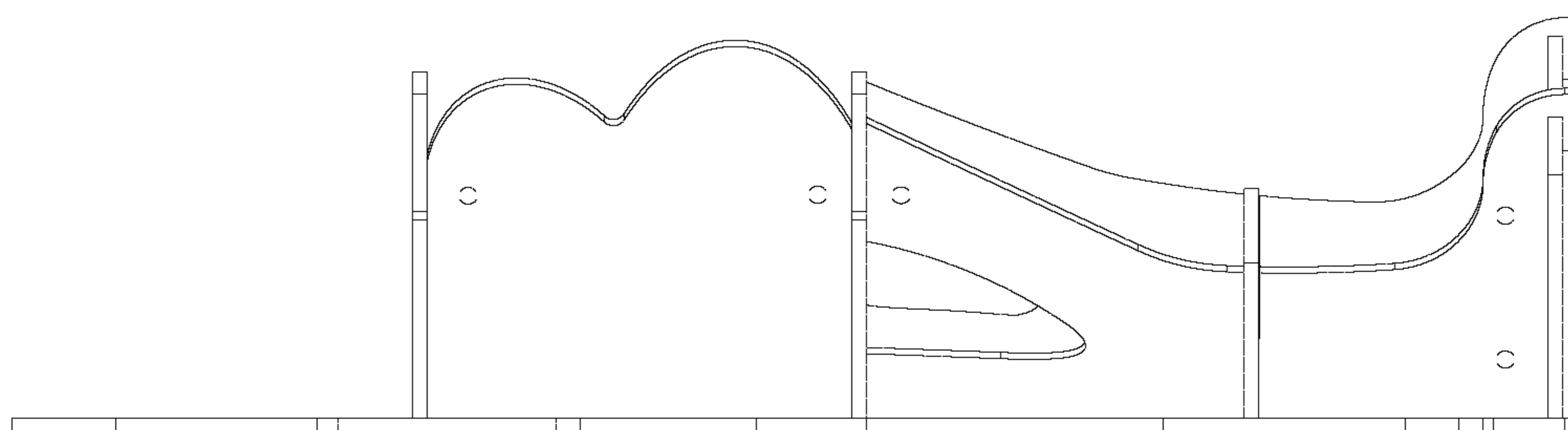


FIG. 4

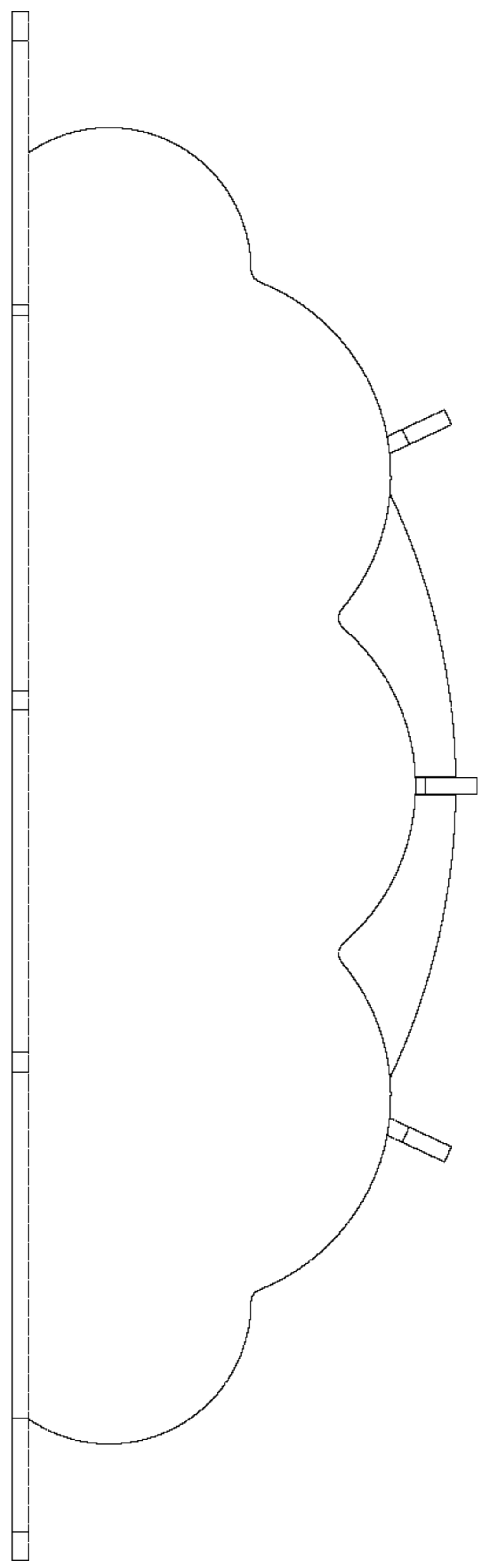


FIG. 5

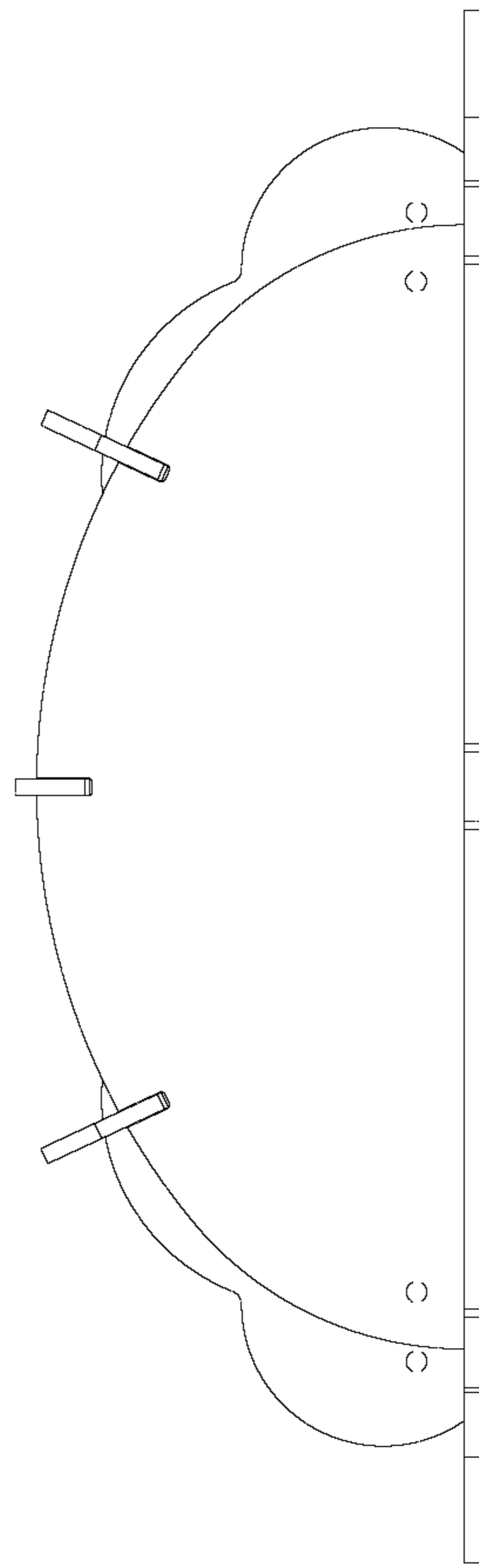


FIG. 6

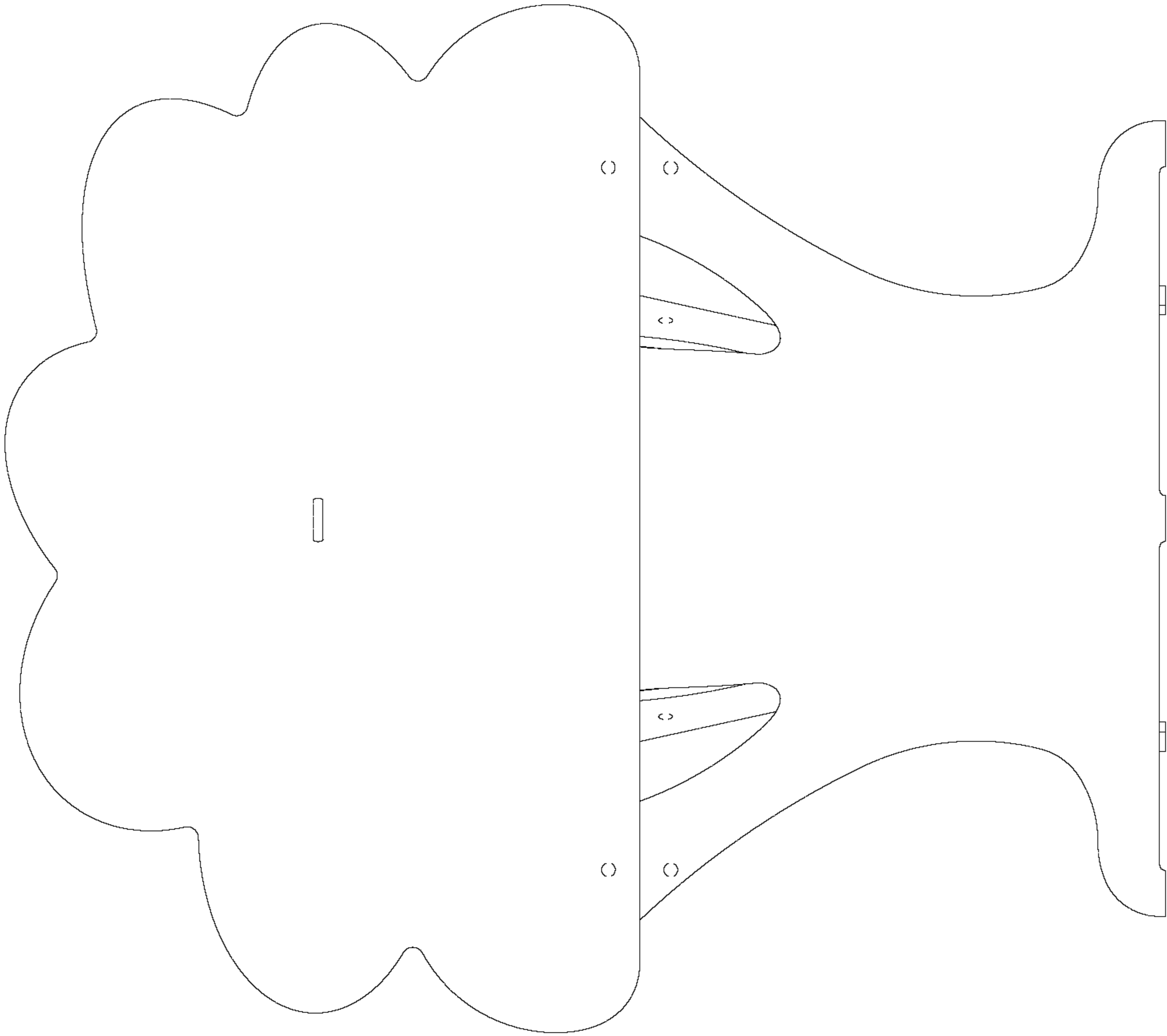


FIG. 7

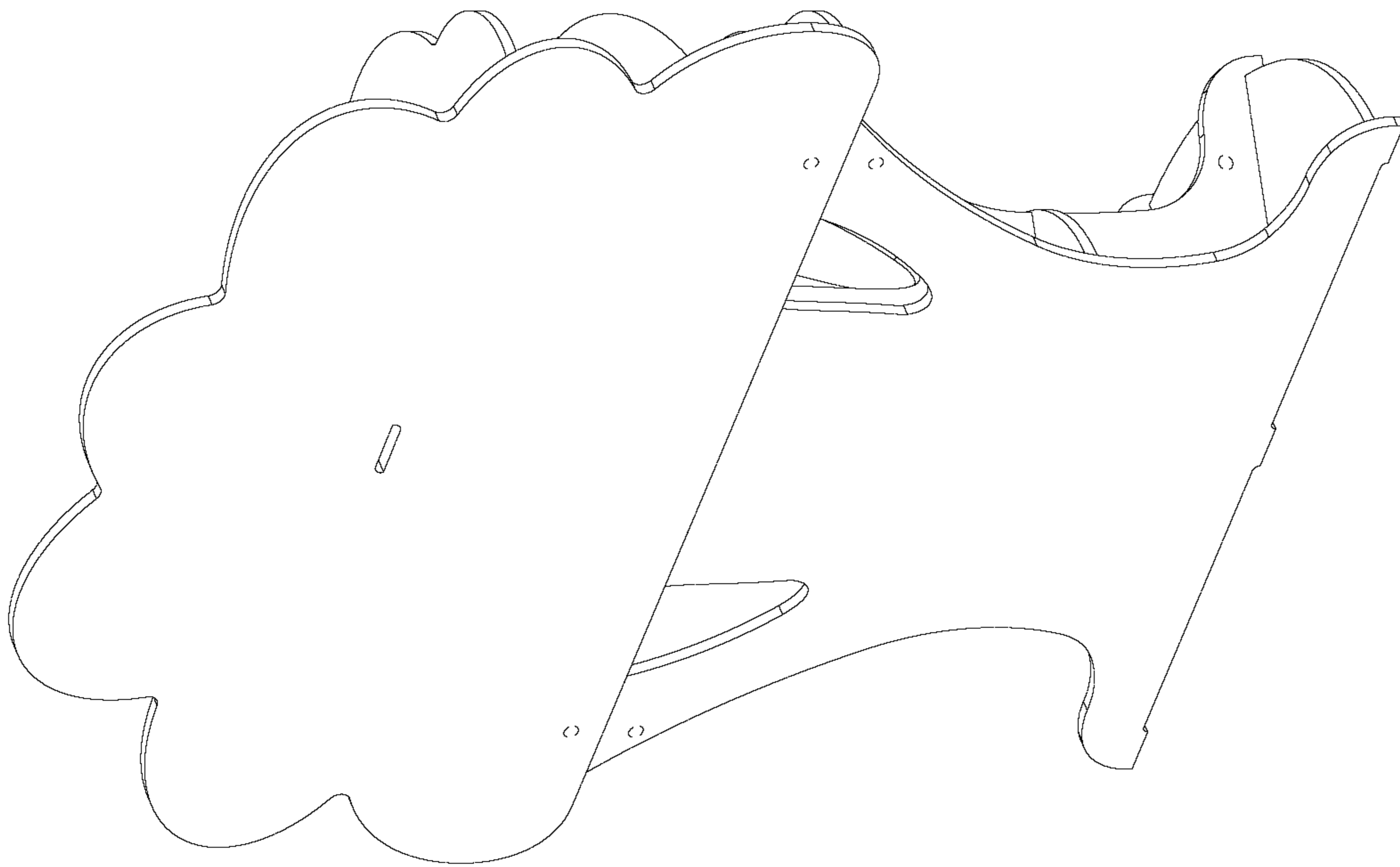


FIG. 8