



US0D1022525S

(12) **United States Design Patent** (10) **Patent No.:** **US D1,022,525 S**
Bing et al. (45) **Date of Patent:** **** Apr. 16, 2024**

(54) **DOSING APPARATUS**

FOREIGN PATENT DOCUMENTS

(71) Applicant: **Cintas Corporate Services, Inc.**,
Cincinnati, OH (US)

GB 6272771 * 5/2023
GB 6272772 * 5/2023

(72) Inventors: **Richard R. Bing**, West Chester, OH
(US); **David Steven Mesko**, Wyoming,
OH (US)

OTHER PUBLICATIONS

(73) Assignee: **Cintas Corporate Services, Inc.**,
Cincinnati, OH (US)

Hand Soap or Sanitizer. Cintas (online) 5 pgs. No Date Available.
[Retrieved Jan. 26, 2024] <https://www.cintas.com/facilityservices/restroom-supplies/signature-series/hand-soap-dispensers/> (Year: NA).*

(**) Term: **15 Years**

Primary Examiner — Marie D. Fast Horse
Assistant Examiner — Jennifer Sierra Yosinski
(74) *Attorney, Agent, or Firm* — Wood Herron & Evans
LLP

(21) Appl. No.: **29/855,428**

(22) Filed: **Oct. 3, 2022**

(57) **CLAIM**

(51) **LOC (14) Cl.** **23-08**

The ornamental design for a dosing apparatus, as shown and described.

(52) **U.S. Cl.**

USPC **D6/545**

DESCRIPTION

(58) **Field of Classification Search**

USPC D6/505, 524, 542, 544, 545; D23/200,
D23/213; D32/1, 25, 26
CPC A47K 5/1211; A47K 5/00; A47K 5/06;
A47K 5/12; A47K 5/1201; A47K 5/1204
See application file for complete search history.

FIG. 1 is a perspective view of one embodiment of a dosing apparatus showing our design;
FIG. 2 is a front elevational view thereof;
FIG. 3 right side elevational view thereof, the left side elevational view being a mirror image thereof;
FIG. 4 is a rear elevational view thereof;
FIG. 5 is a top plan view thereof;
FIG. 6 is a bottom plan view thereof;
FIG. 7 is a perspective view of another embodiment of the dosing apparatus showing our design;
FIG. 8 is a front elevational view thereof;
FIG. 9 is a right side elevational view thereof, the left side elevation view being a mirror image thereof;
FIG. 10 is a rear elevational view thereof;
FIG. 11 is a top plan view thereof; and,
FIG. 12 is a bottom plan view thereof.

(56) **References Cited**

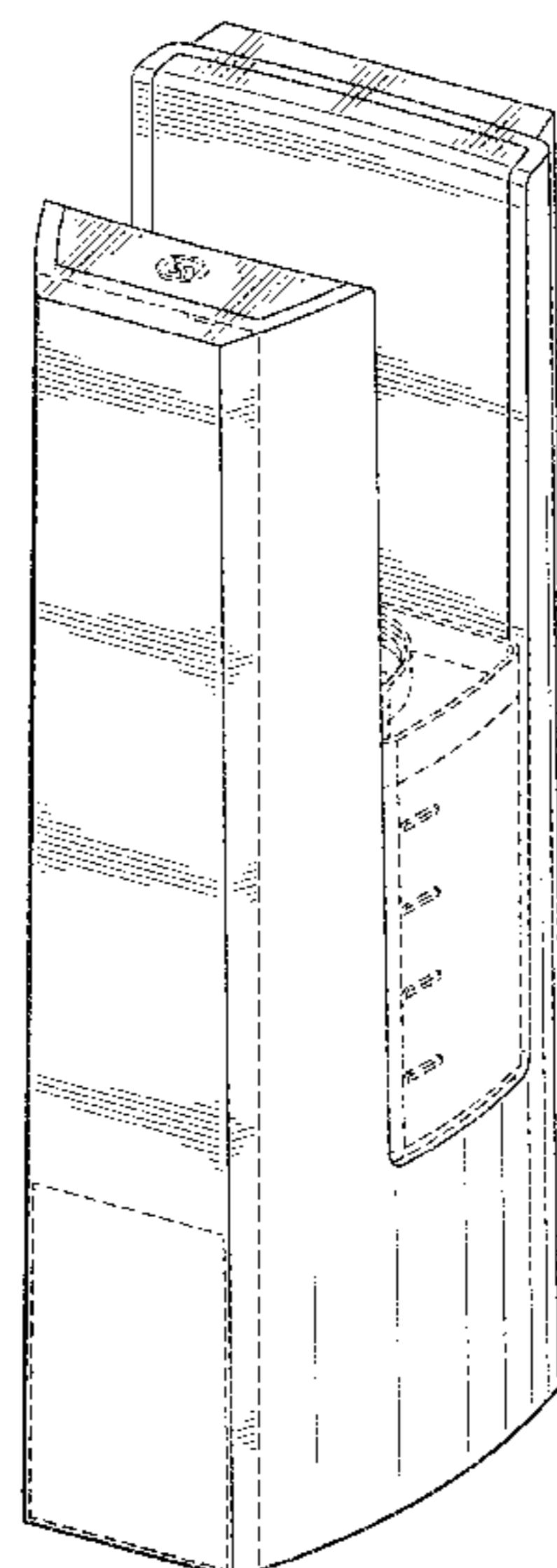
U.S. PATENT DOCUMENTS

D287,448 S * 12/1986 Yoo D6/542
4,697,610 A 10/1987 Bricker et al.
4,950,136 A 8/1990 Haas et al.
5,253,677 A 10/1993 Sand
5,522,419 A 6/1996 Sand
6,499,872 B2 12/2002 Sand
6,619,318 B2 9/2003 Dalhart et al.
D595,523 S * 7/2009 Pattberg D6/545
D637,848 S * 5/2011 Kramer D6/545
D733,456 S * 7/2015 Buell D6/545
D798,080 S * 9/2017 Duncan D6/542
10,543,955 B1 * 1/2020 Turturro B65D 5/724

The broken lines shown in the figures are for the purpose of illustrating portions of the dosing apparatus and form no part of the claimed design.

(Continued)

1 Claim, 10 Drawing Sheets



(56)

References Cited

U.S. PATENT DOCUMENTS

D887,171	S	*	6/2020	Goldfarb	D7/300
D901,930	S	*	11/2020	Reilly	D6/542
D929,767	S	*	9/2021	Turturro	D6/545
D982,343	S	*	4/2023	Turturro	D6/515
D996,856	S	*	8/2023	Starck	D6/545
D997,594	S	*	9/2023	Jesmer	D6/545
2004/0000564	A1	*	1/2004	Haase	A47K 5/1211 222/130
2004/0050438	A1		3/2004	Haas		
2006/0260704	A1		11/2006	Sand		

* cited by examiner

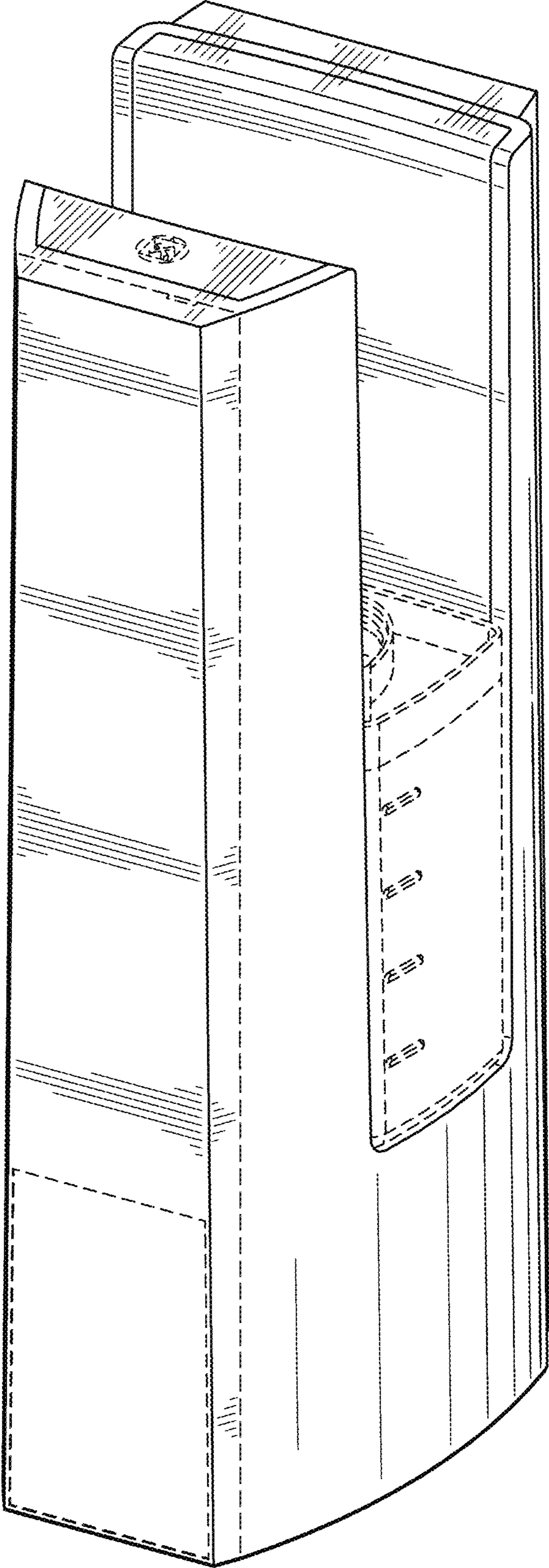


FIG. 1

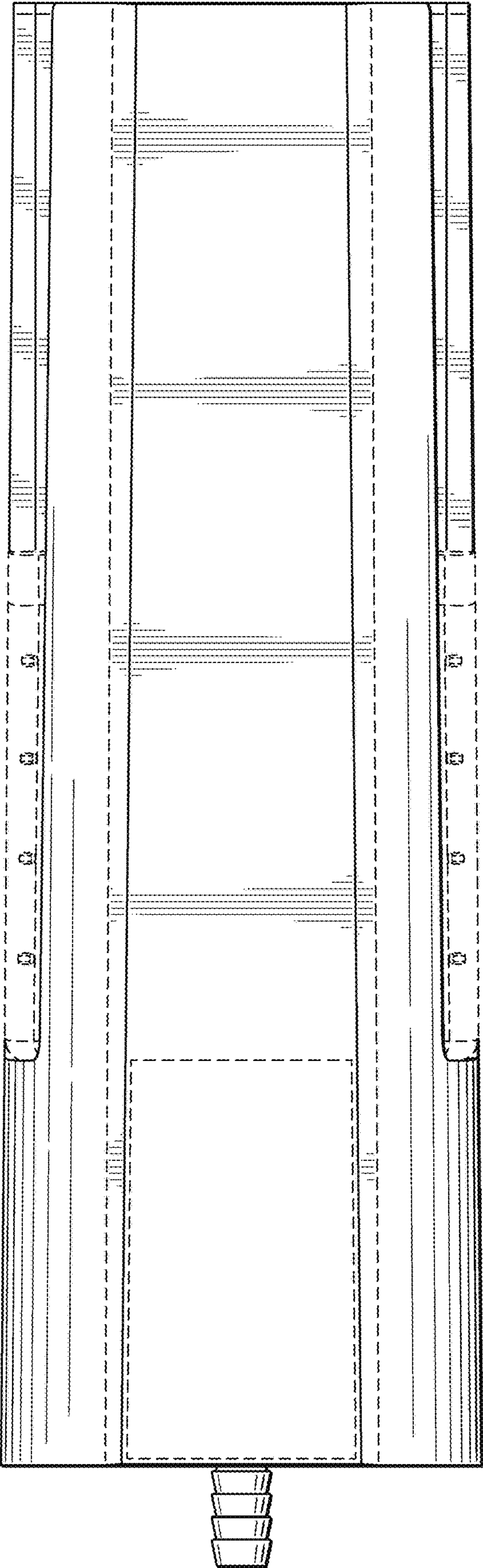


FIG. 2

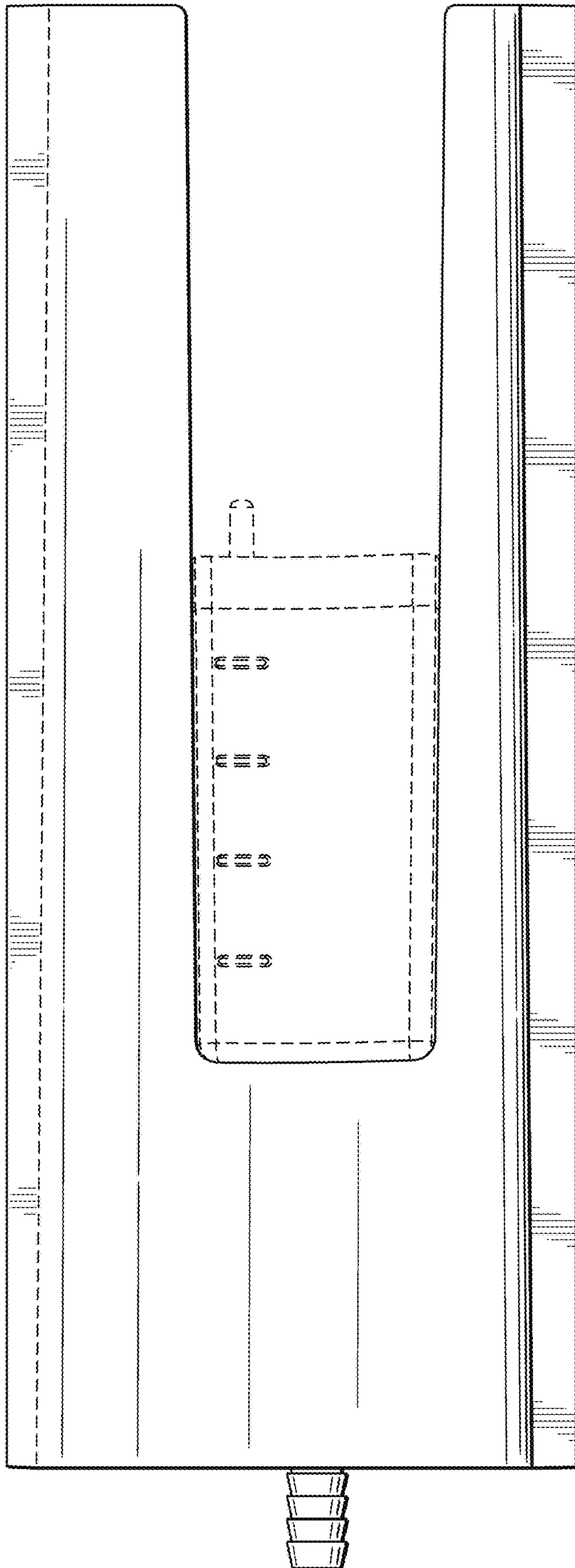


FIG. 3

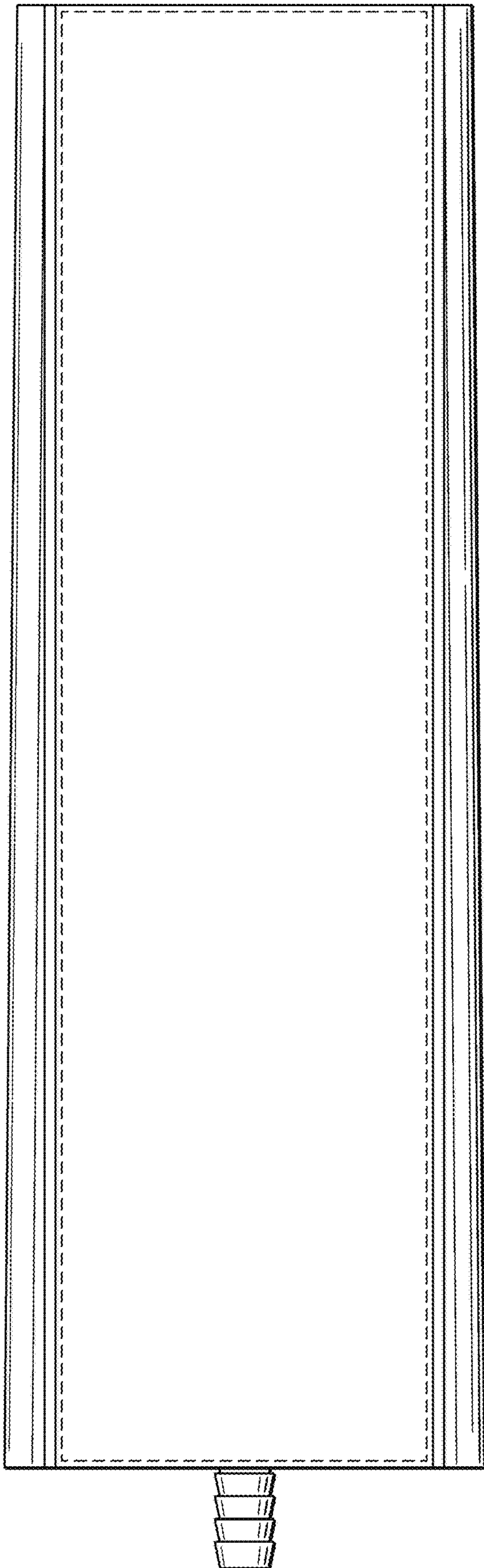


FIG. 4

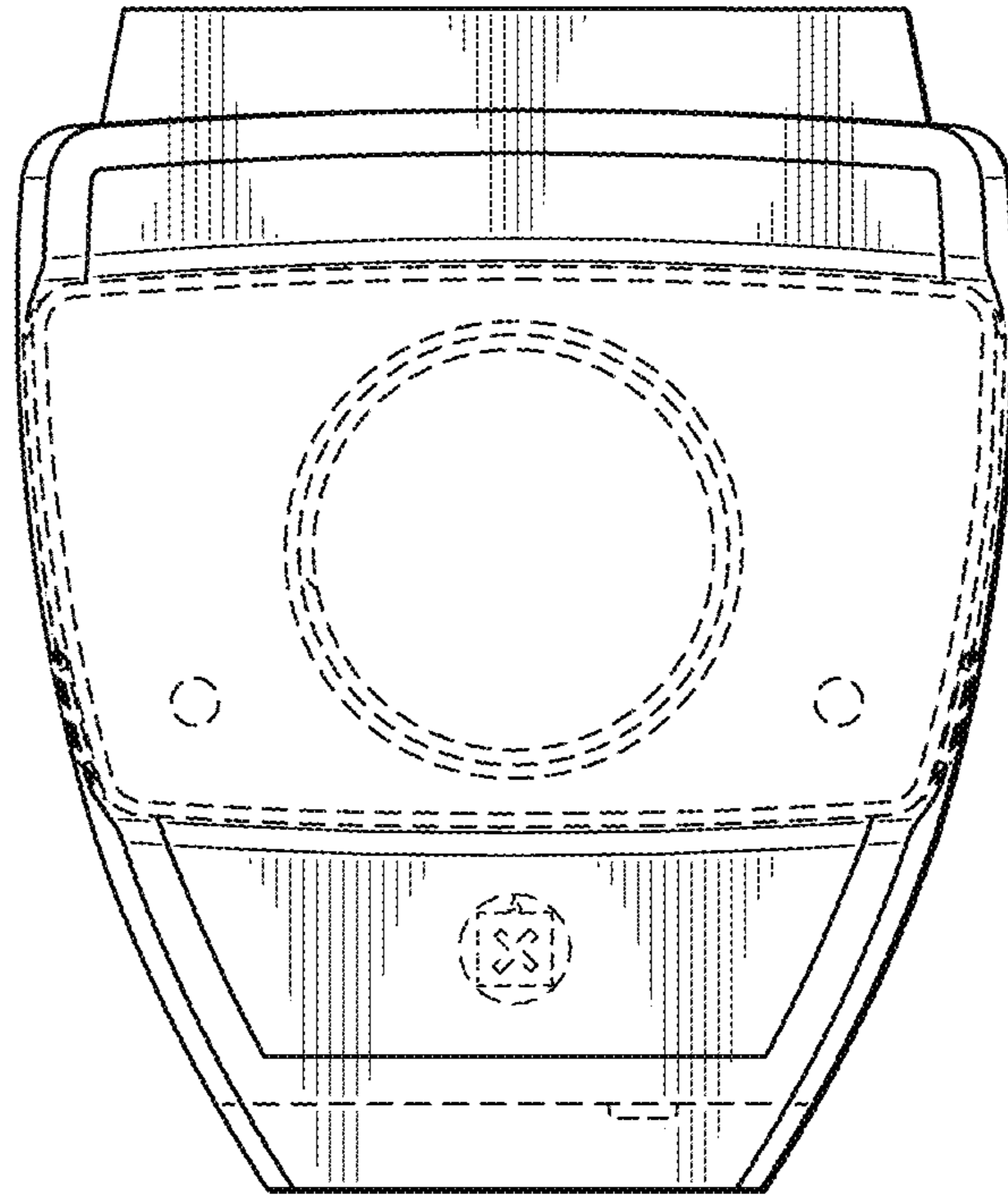


FIG. 5

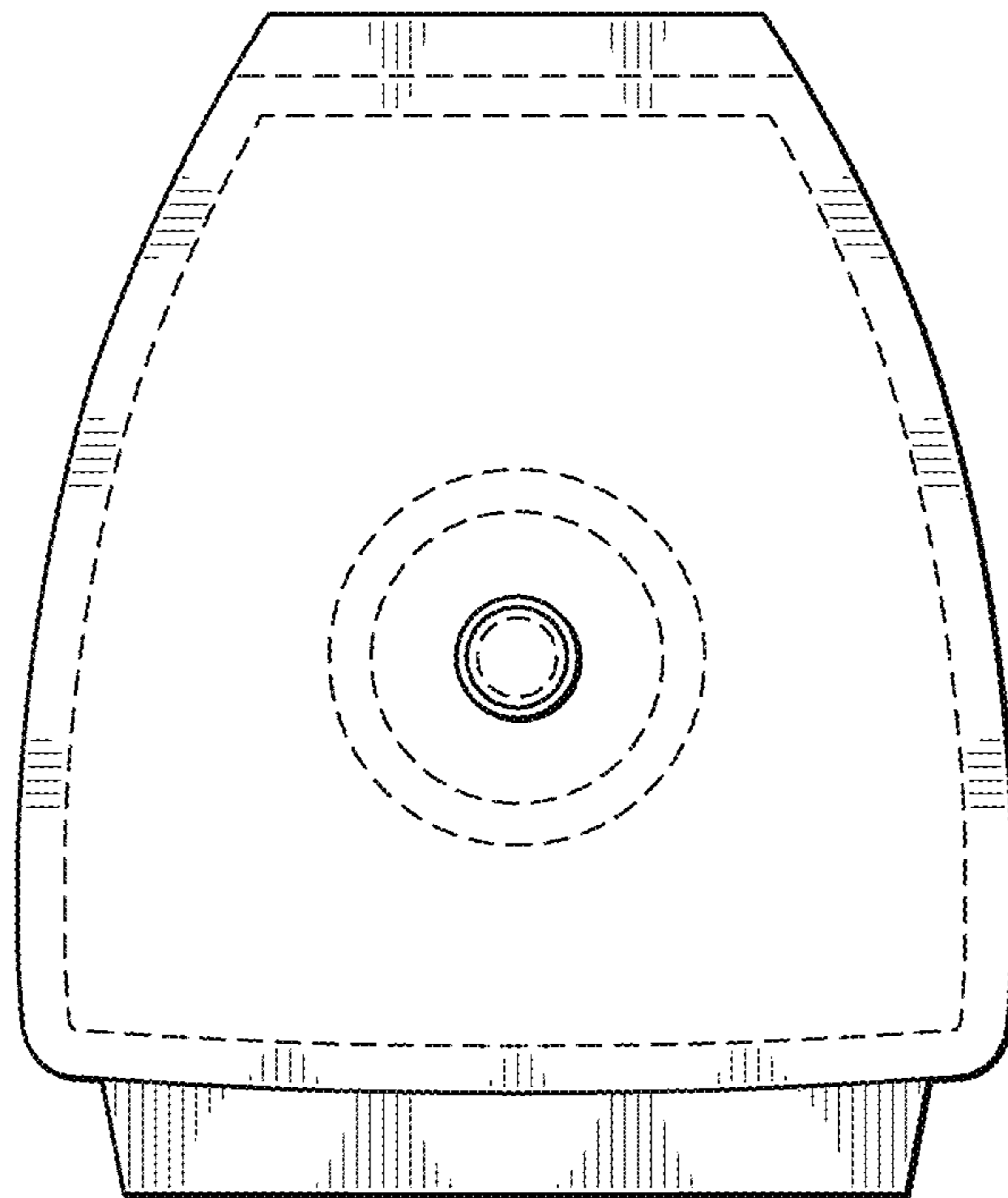


FIG. 6

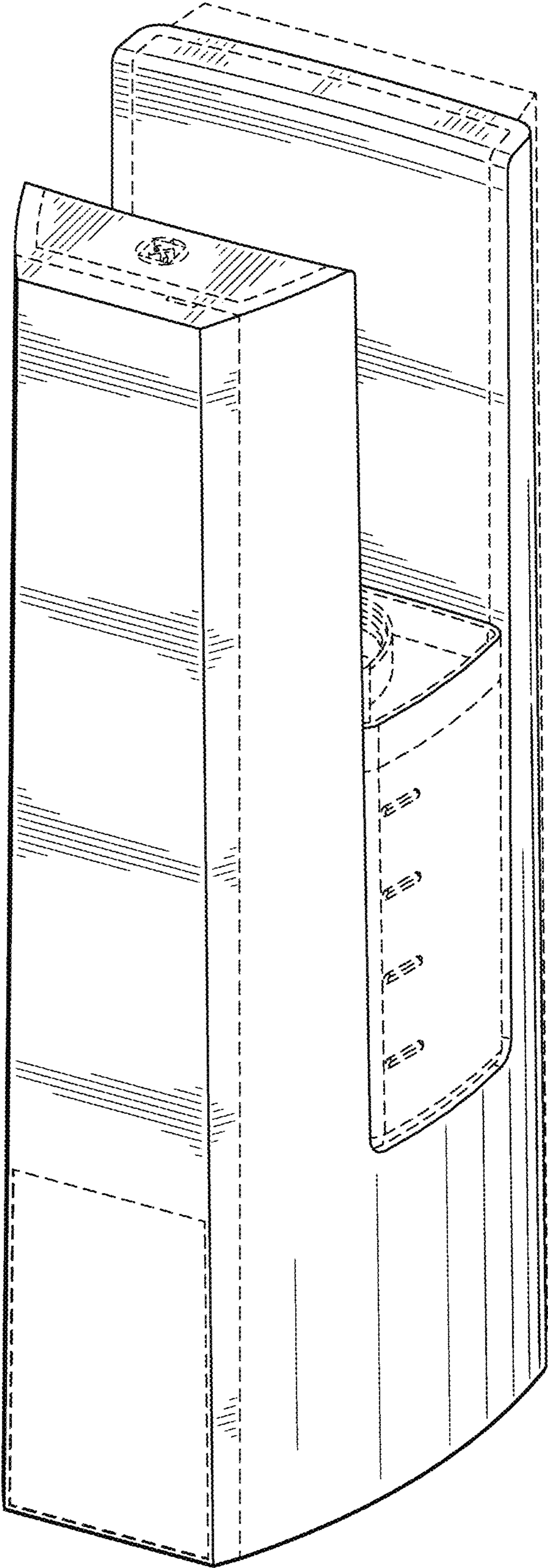


FIG. 7

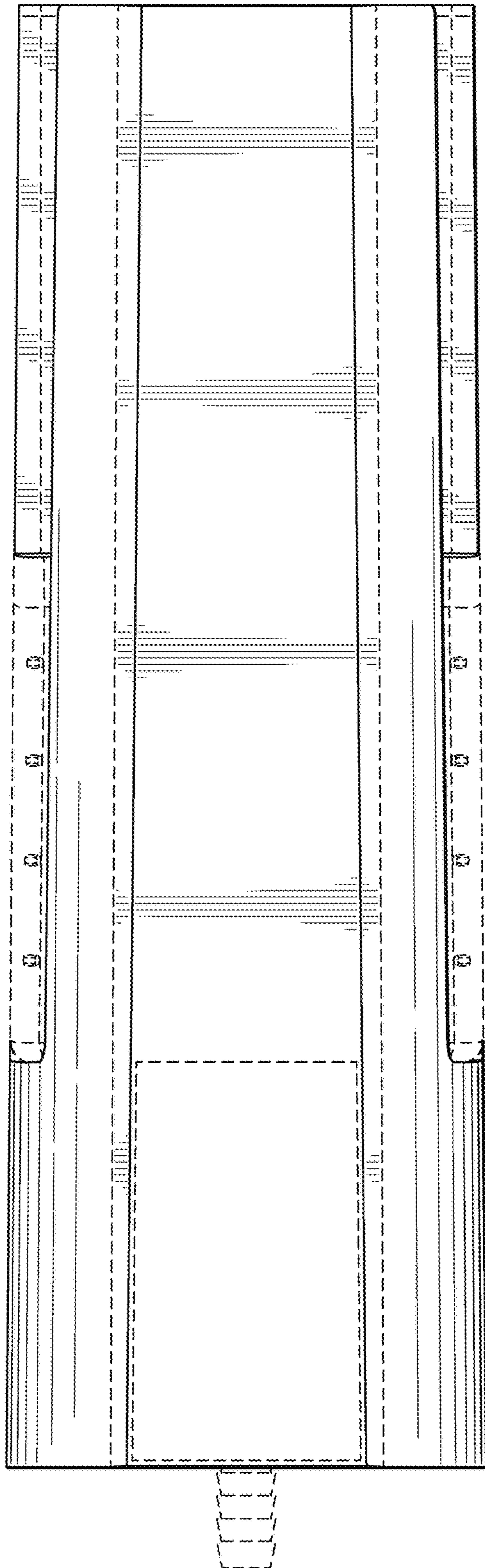


FIG. 8

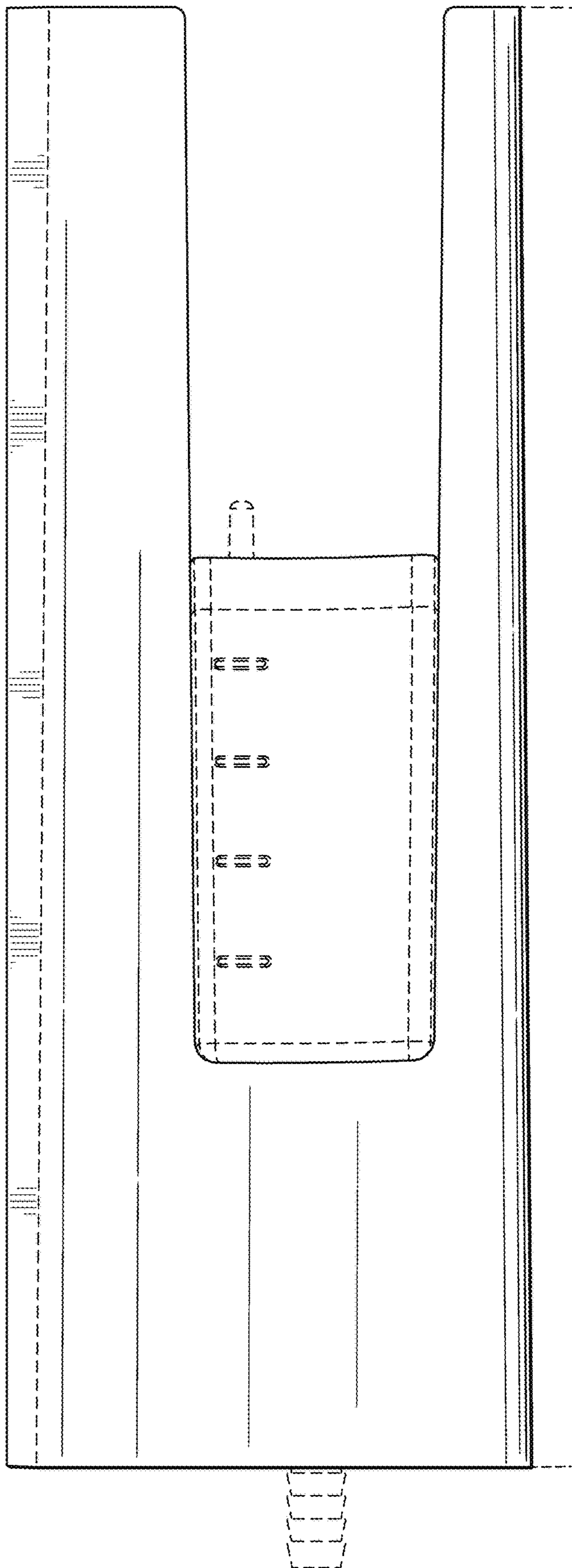


FIG. 9

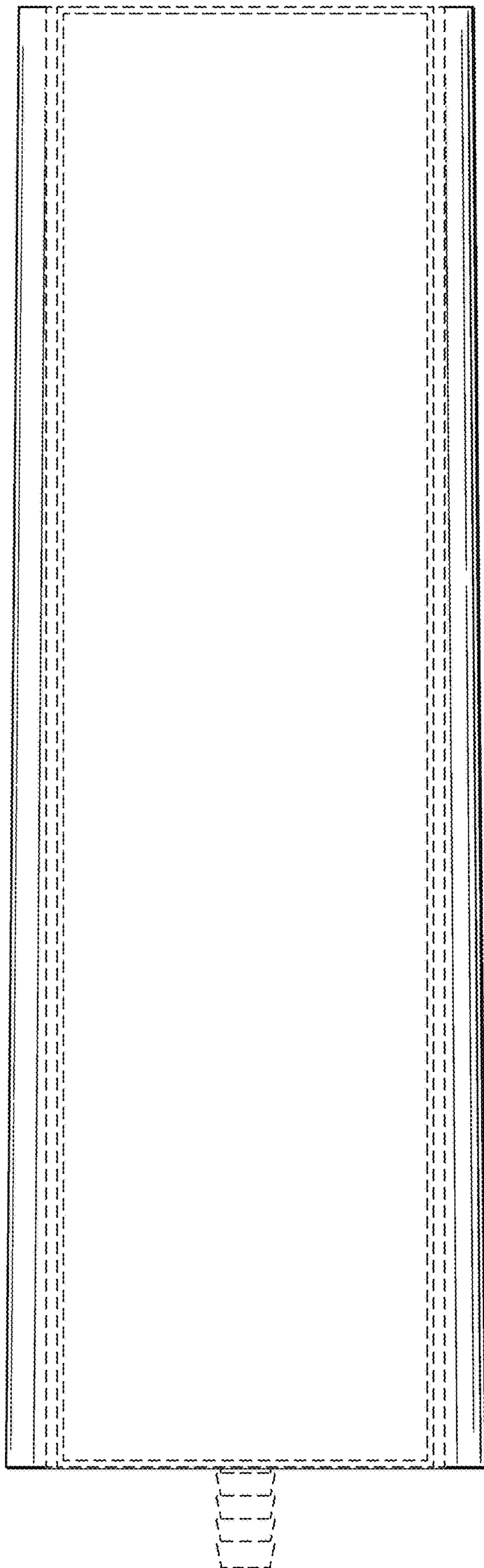


FIG. 10

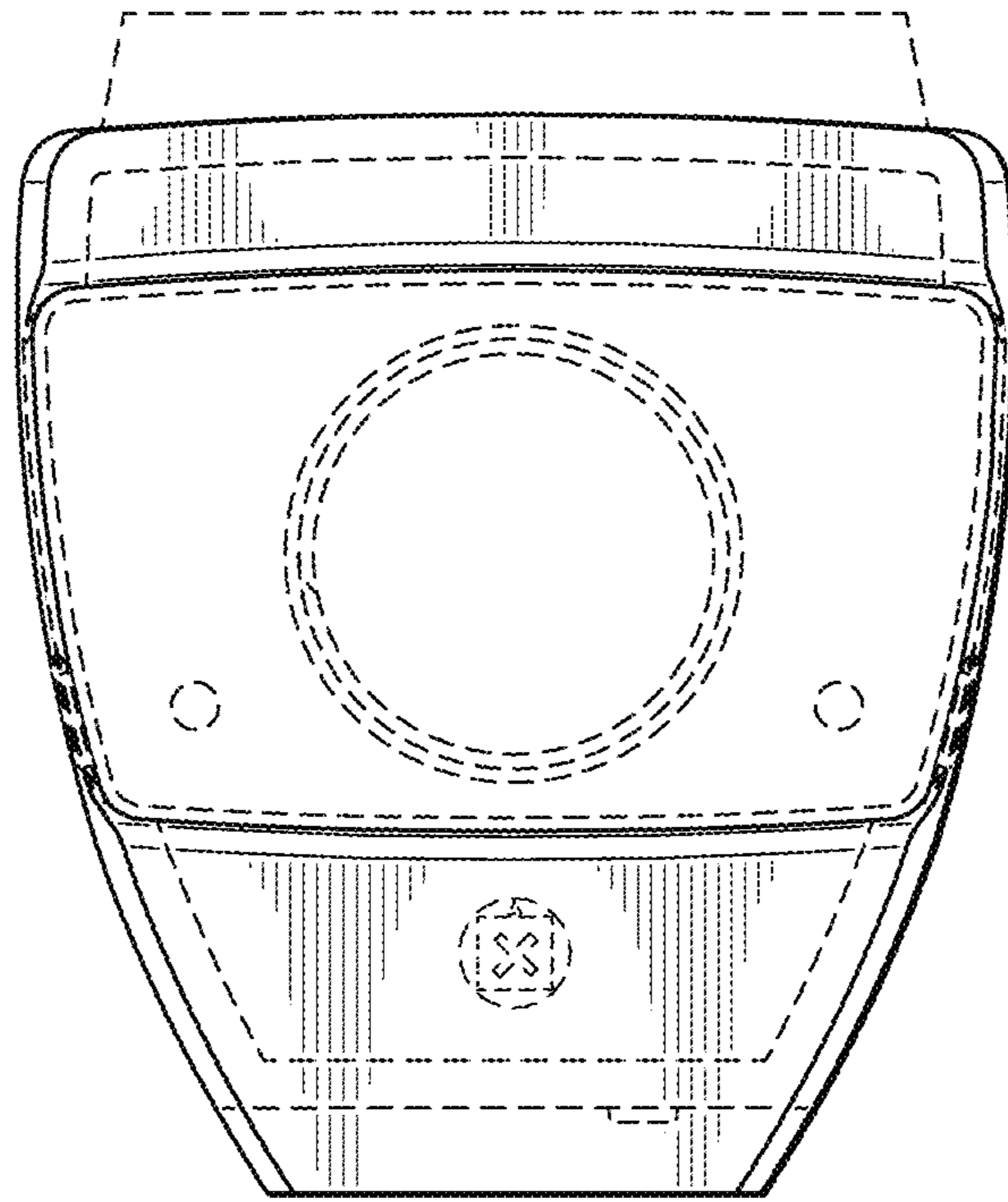


FIG. 11

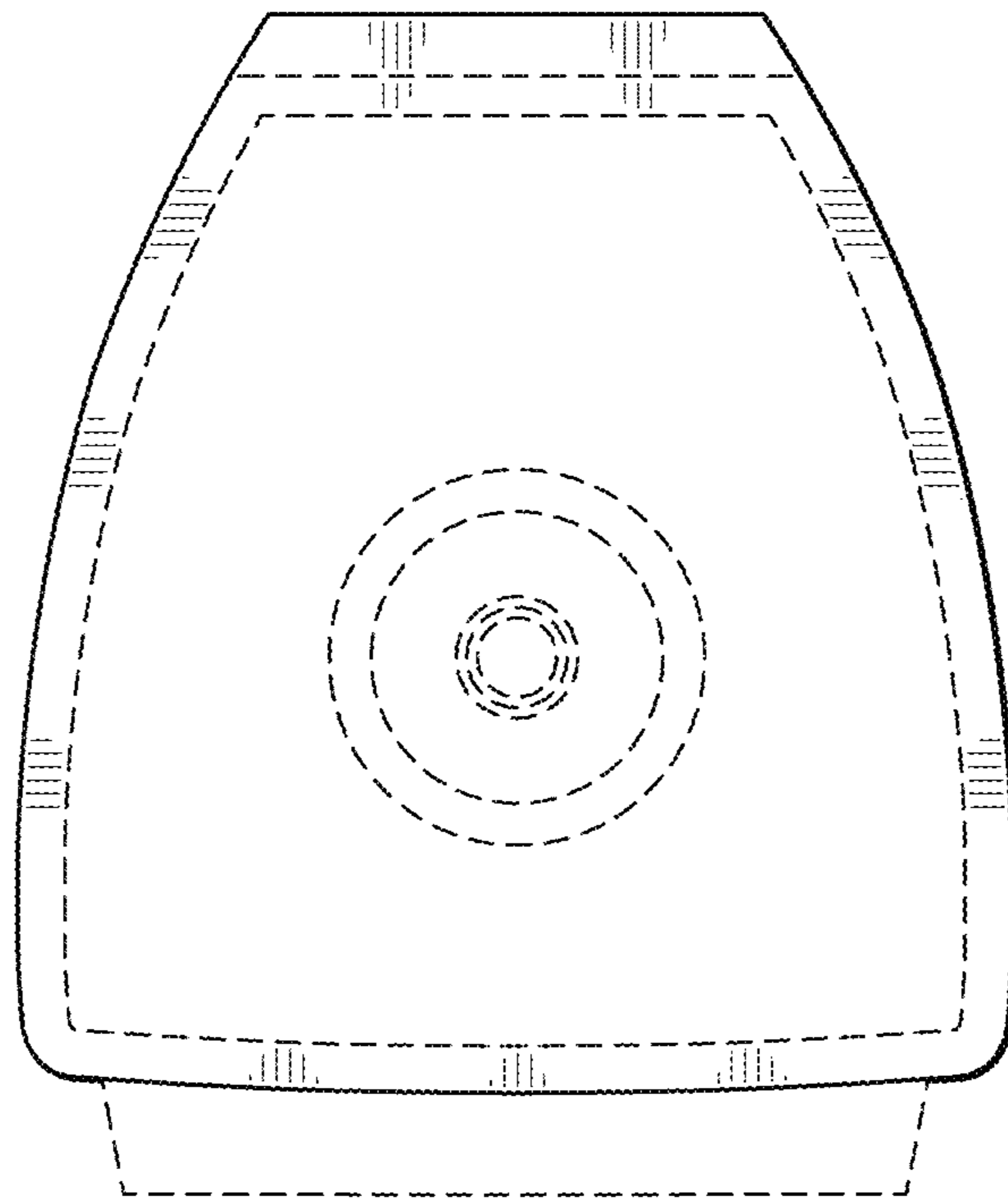


FIG. 12