



US0D1022470S

(12) **United States Design Patent** (10) **Patent No.:** **US D1,022,470 S**
Gipson et al. (45) **Date of Patent:** **** Apr. 16, 2024**

(54) **BACKPACK STRAP WITH STORAGE POUCH**

(71) Applicants: **Kimberly Gipson**, St. Johns, FL (US);
Bobby Erran Gipson, St Johns, FL (US)

(72) Inventors: **Kimberly Gipson**, St. Johns, FL (US);
Bobby Erran Gipson, St Johns, FL (US)

(**) Term: **15 Years**

(21) Appl. No.: **29/805,575**

(22) Filed: **Aug. 27, 2021**

(51) **LOC (14) Cl.** **03-01**

(52) **U.S. Cl.**

USPC **D3/327**; D3/216

(58) **Field of Classification Search**

USPC D3/214, 215, 216, 217, 224, 226, 230,
D3/231, 232, 247, 249, 318, 327

CPC A45C 13/30; A45F 3/14

See application file for complete search history.

(56) **References Cited**

U.S. PATENT DOCUMENTS

D257,409 S *	10/1980	Kishbaugh	D3/230
D259,151 S *	5/1981	Kishbaugh	224/684
D275,153 S	8/1984	Weinreb		
4,642,815 A *	2/1987	Allen	A41D 13/0151
				2/459
D290,185 S *	6/1987	DiCavalcante	D3/230
D351,279 S	10/1994	Montgomery		
D369,671 S	5/1996	Gordon		
D423,782 S	5/2000	Ammerman		
D448,925 S *	10/2001	Willows	D3/226
D456,989 S	5/2002	Carothers		
D459,875 S	7/2002	Mack		
6,698,636 B2 *	3/2004	Angus	A45F 3/12
				224/660
D489,890 S	5/2004	Gorham, Jr.		
D515,805 S	2/2006	Jones		
D533,995 S *	12/2006	Booth	D3/224

(Continued)

FOREIGN PATENT DOCUMENTS

GB 9002201343-0001 * 3/2013

OTHER PUBLICATIONS

Travis Backpack—Kickstarter, product launch date May 7, 2019, kickstarter.com, [online], [site visited Nov. 25, 2022], Available from internet URL <<https://www.kickstarter.com/projects/1898434495/travis-backpack-for-travel-or-daily-commute-sling/description>> (Year: 2019).*

(Continued)

Primary Examiner — Barbara Fox

Assistant Examiner — Jane Yoon

(74) *Attorney, Agent, or Firm* — Goldstein Law Offices, P.C.

(57) **CLAIM**

The ornamental design for a backpack strap with storage pouch, as shown and described.

DESCRIPTION

FIG. 1 is a perspective view of a backpack strap with storage pouch.

FIG. 2 is a front elevational view thereof.

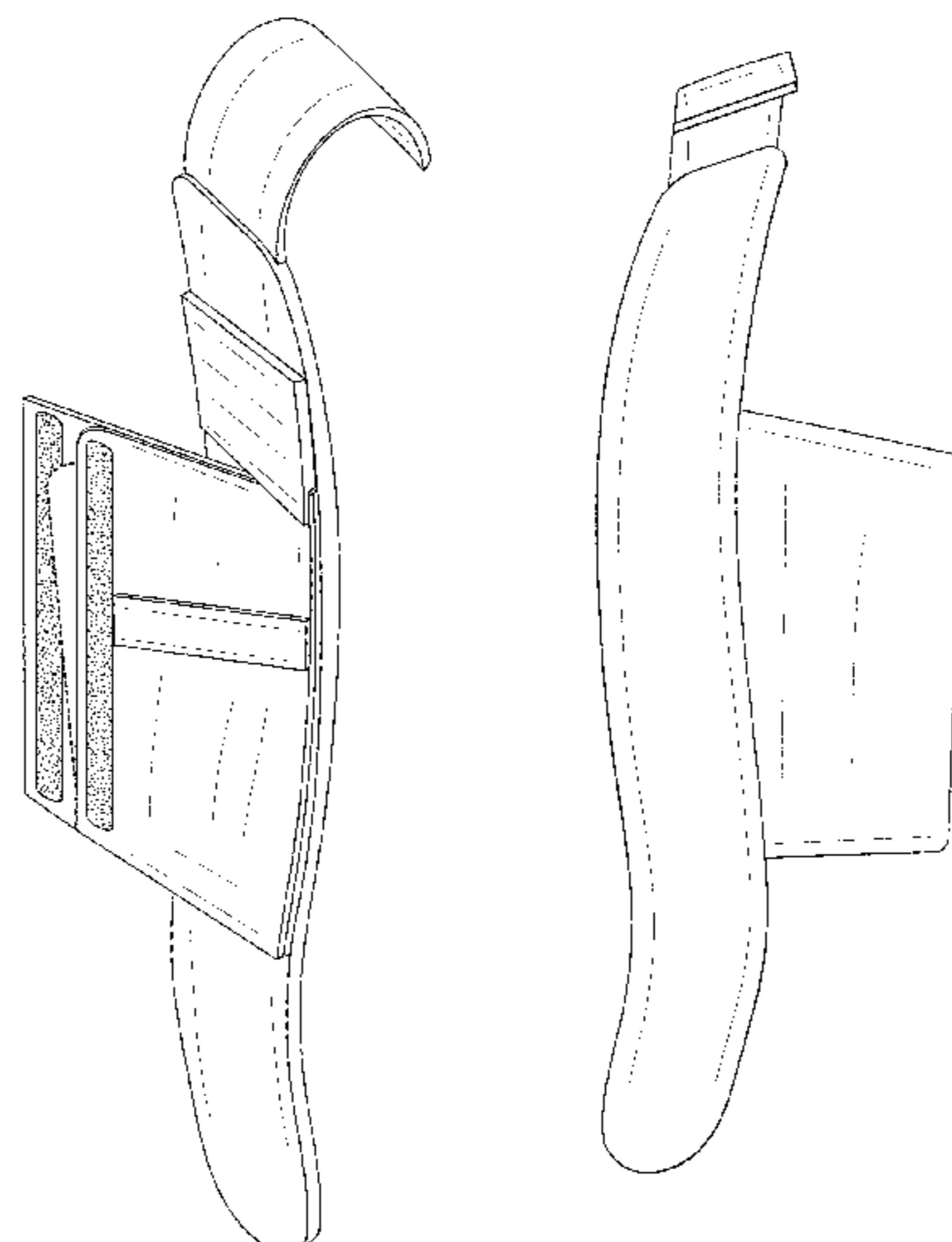
FIG. 3 is a rear elevational view thereof.

FIG. 4 is a left side perspective view thereof, wherein the storage pouch is angled slightly to show the front side of the backpack strap with storage pouch; and,

FIG. 5 is a right side perspective view thereof, wherein the storage pouch is angled slightly to show the front side of the backpack strap with storage pouch.

The broken lines shown in FIG. 1 and FIG. 2 are for the purpose of illustrating a personal item stored within the backpack strap with storage pouch and form no part of the claimed design.

1 Claim, 4 Drawing Sheets



(56)

References Cited

U.S. PATENT DOCUMENTS

7,614,434 B2 11/2009 DeMichele
 D616,644 S * 6/2010 Ramon D3/224
 D661,484 S * 6/2012 Hamra D3/224
 D677,894 S 3/2013 Santivasci
 D690,095 S * 9/2013 Garcia D3/217
 D723,799 S 3/2015 Glass
 9,044,080 B2 6/2015 Ashenafi
 D734,024 S * 7/2015 Garcia D3/217
 9,474,356 B2 * 10/2016 Garcia Morales A45F 3/04
 D831,955 S 10/2018 Brandt
 D855,983 S 8/2019 Pierre-Louis
 D893,863 S * 8/2020 Cameron D3/226
 2002/0175197 A1 * 11/2002 Cummins E01H 1/1206
 2006/0144886 A1 * 7/2006 Gambrill H04B 1/3888
 2006/0219747 A1 * 10/2006 Gallucci A45F 5/02
 224/674

2009/0095784 A1 4/2009 Enriquez
 2017/0112245 A1 4/2017 Pierre-Louis
 2019/0014888 A1 * 1/2019 Duncan A45F 3/14
 2019/0281962 A1 * 9/2019 Edgel A45F 3/005
 2020/0107594 A1 * 4/2020 Kilchoer A45C 13/02
 2020/0383443 A1 * 12/2020 Shelton A45C 13/002
 2021/0007467 A1 1/2021 Paulus

OTHER PUBLICATIONS

Travsessed 3 in 1 Travel Backpack . . . Black, Medium—Amazon, Date First Available Oct. 15, 2021, amazon.com, [online], [site visited date May 30, 2023], Available from internet URL <https://www.amazon.ca/dp/B0971QDR6P?ref_=cm_sw_r_cp_ud_dp_YSY90DAHP1FFEGPT979J> (Year: 2021).
 Lowepro US, DroneGuard BP 250—LP37099-PWW, website, Aug. 27, 2021, 11 pages, https://www.lowepro.com/us-en/droneguard-bp-250-lp37099-pww/.

* cited by examiner

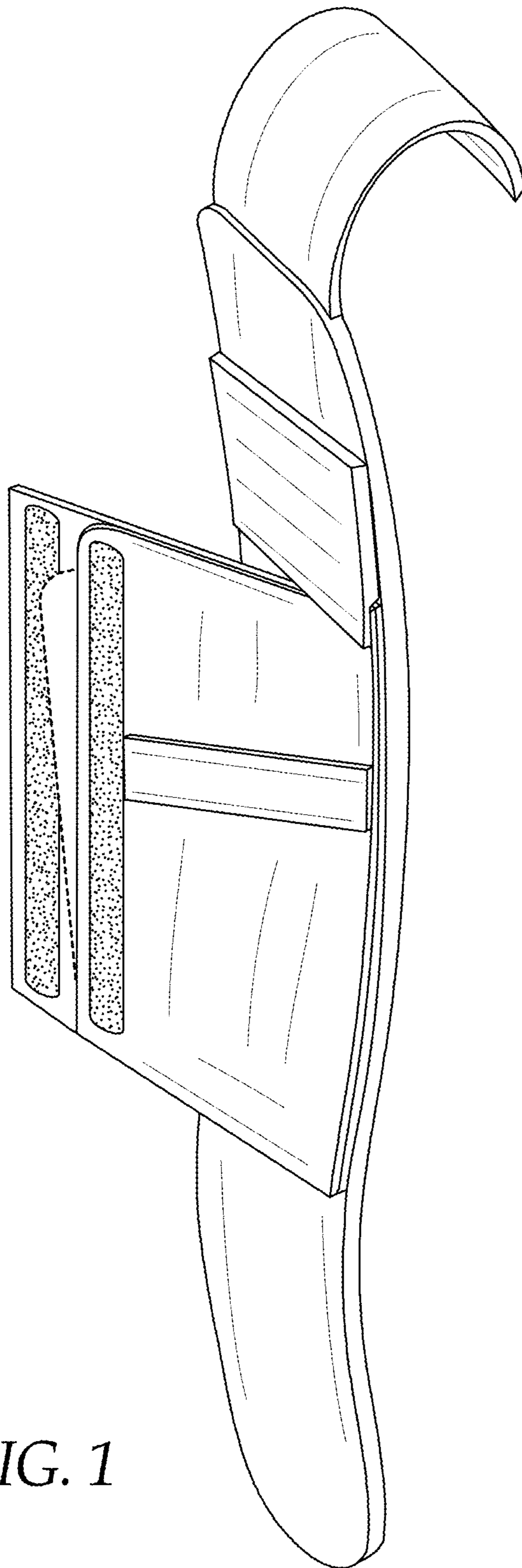


FIG. 1

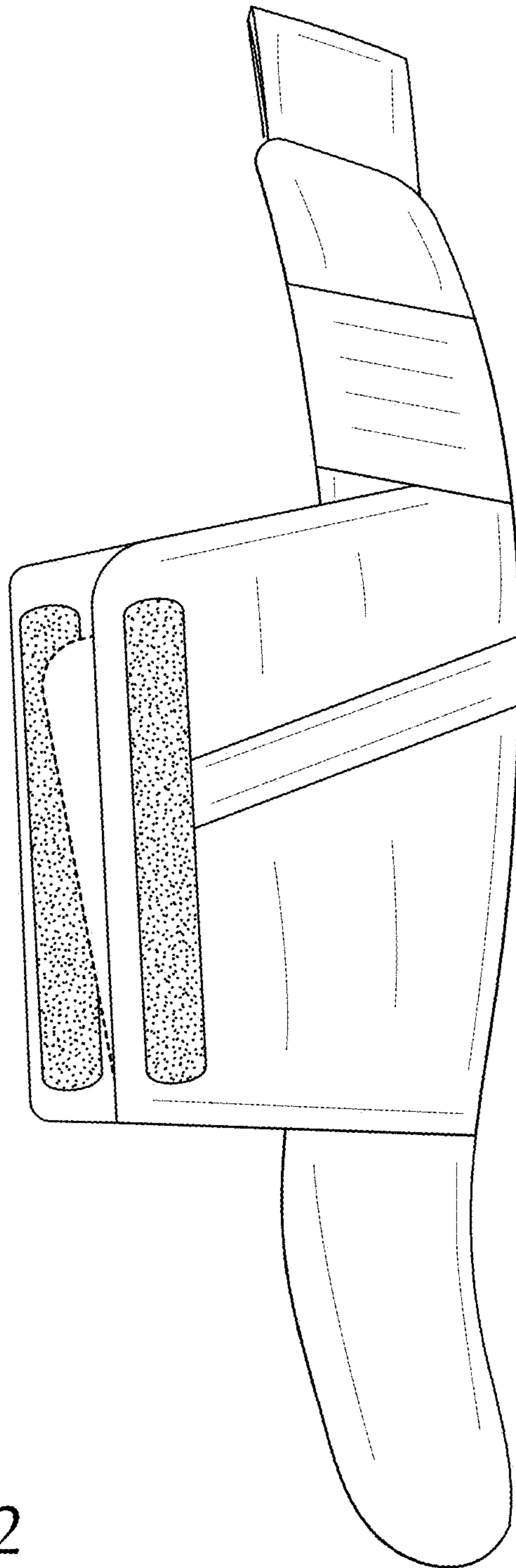


FIG. 2

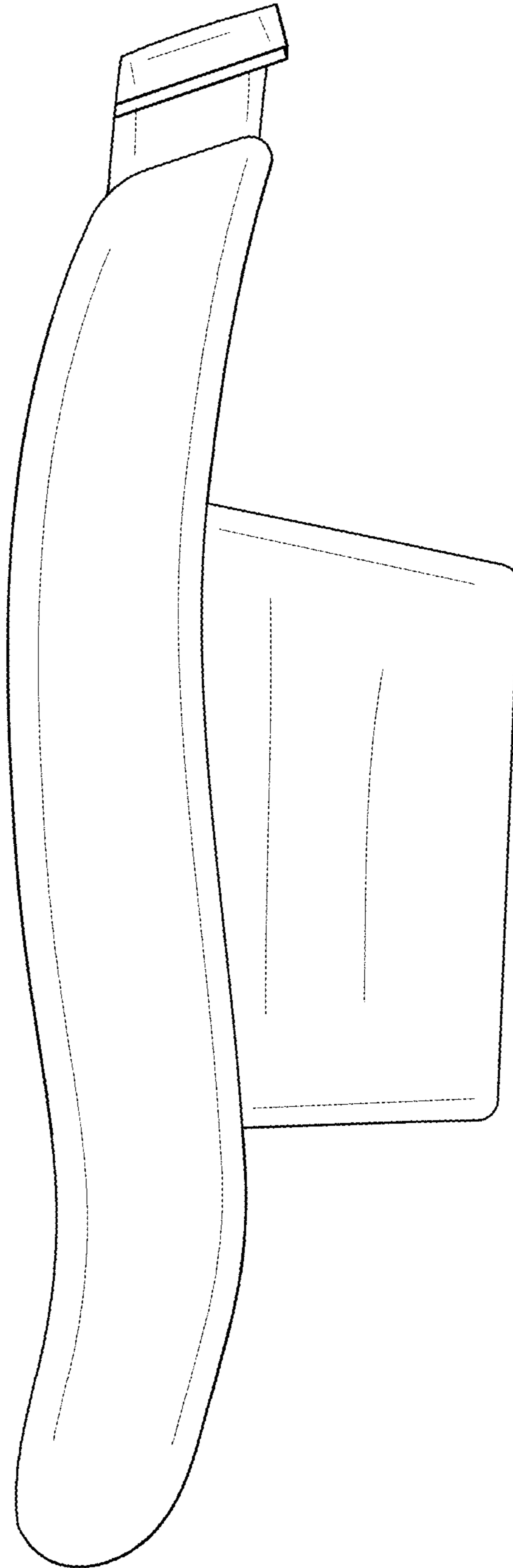


FIG. 3

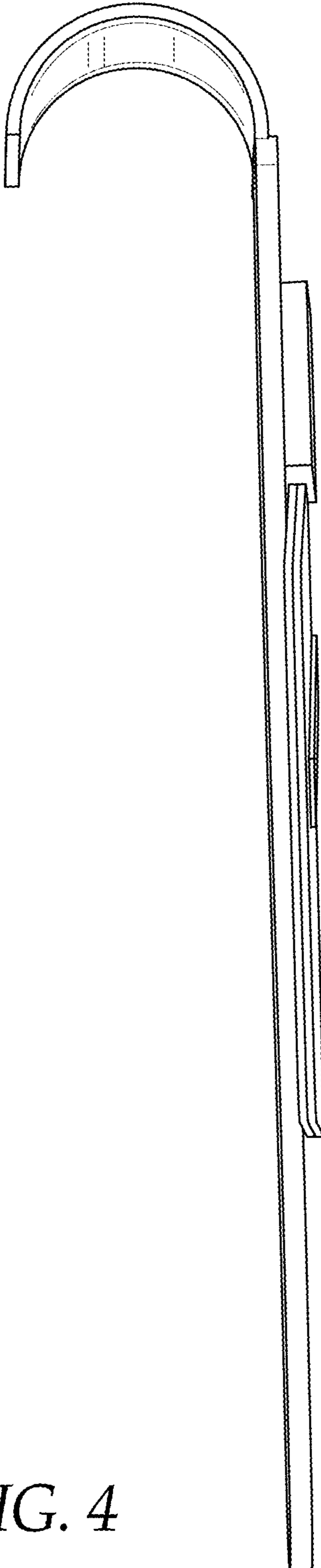


FIG. 4

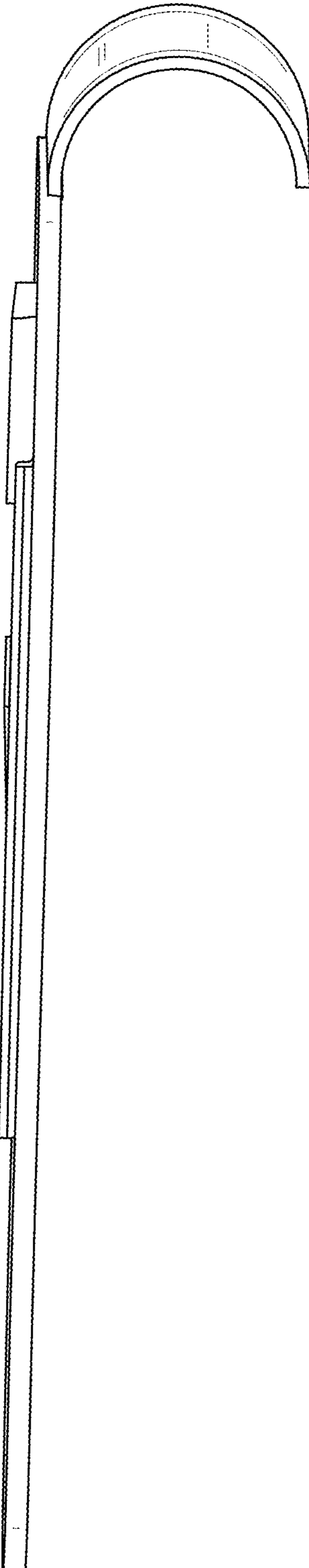


FIG. 5