



US0D1022461S

(12) **United States Design Patent** (10) **Patent No.:** **US D1,022,461 S**
Martin et al. (45) **Date of Patent:** **** Apr. 16, 2024**

- (54) **TACTICAL ASSAULT KIT BOX**
- (71) Applicant: **Government of the United States as represented by the Secretary of the Air Force**, Wright-Patterson AFB, OH (US)
- (72) Inventors: **Shea T. Martin**, Dayton, OH (US); **Peter J Volland**, Beavercreek, OH (US); **Patrick E. Assef**, Dayton, OH (US)
- (73) Assignee: **United States of America as represented by the Secretary of the Air Force**, Wright-Patterson AFB, OH (US)
- (**) Term: **15 Years**
- (21) Appl. No.: **29/751,123**
- (22) Filed: **Sep. 18, 2020**
- (51) **LOC (14) Cl.** **03-01**
- (52) **U.S. Cl.**
USPC **D3/294**
- (58) **Field of Classification Search**
USPC D3/210, 272, 273, 274, 275, 276, 277, D3/278, 279, 280, 281, 282, 283, 284, D3/285, 294, 295, 296, 298, 305, 307, D3/315
CPC B25H 3/003; B25H 3/021; A45C 13/02; G06F 1/1628
See application file for complete search history.

- D513,122 S * 12/2005 Greene D3/273
- D634,930 S * 3/2011 Lalo E05C 3/06
- 9,085,403 B2 * 7/2015 Roach A61B 50/31
- D754,920 S * 4/2016 Domon D27/189
- D811,742 S * 3/2018 Ballou D3/276
- 9,973,229 B2 5/2018 Rana

(Continued)

FOREIGN PATENT DOCUMENTS

CN 218056265 U * 12/2022

OTHER PUBLICATIONS

Nanuk Waterproof Panel Kit for the 905 Nanuk Hard Case (Lexan), Announced Apr. 26, 2010 (online), [site visited Apr. 6, 2023]. Available from internet, URL: <<https://www.amazon.com/Nanuk-Waterproof-Panel-Hard-Lexan/dp/B003JH7X88>> (Year: 2010).*

(Continued)

Primary Examiner — Kevin K Rudzinski
Assistant Examiner — Amber J Rabie
(74) *Attorney, Agent, or Firm* — AFMCLO/JAZ; Chastity D. S. Whitaker

(57) **CLAIM**

The ornamental design for a tactical assault kit box, as shown and described.

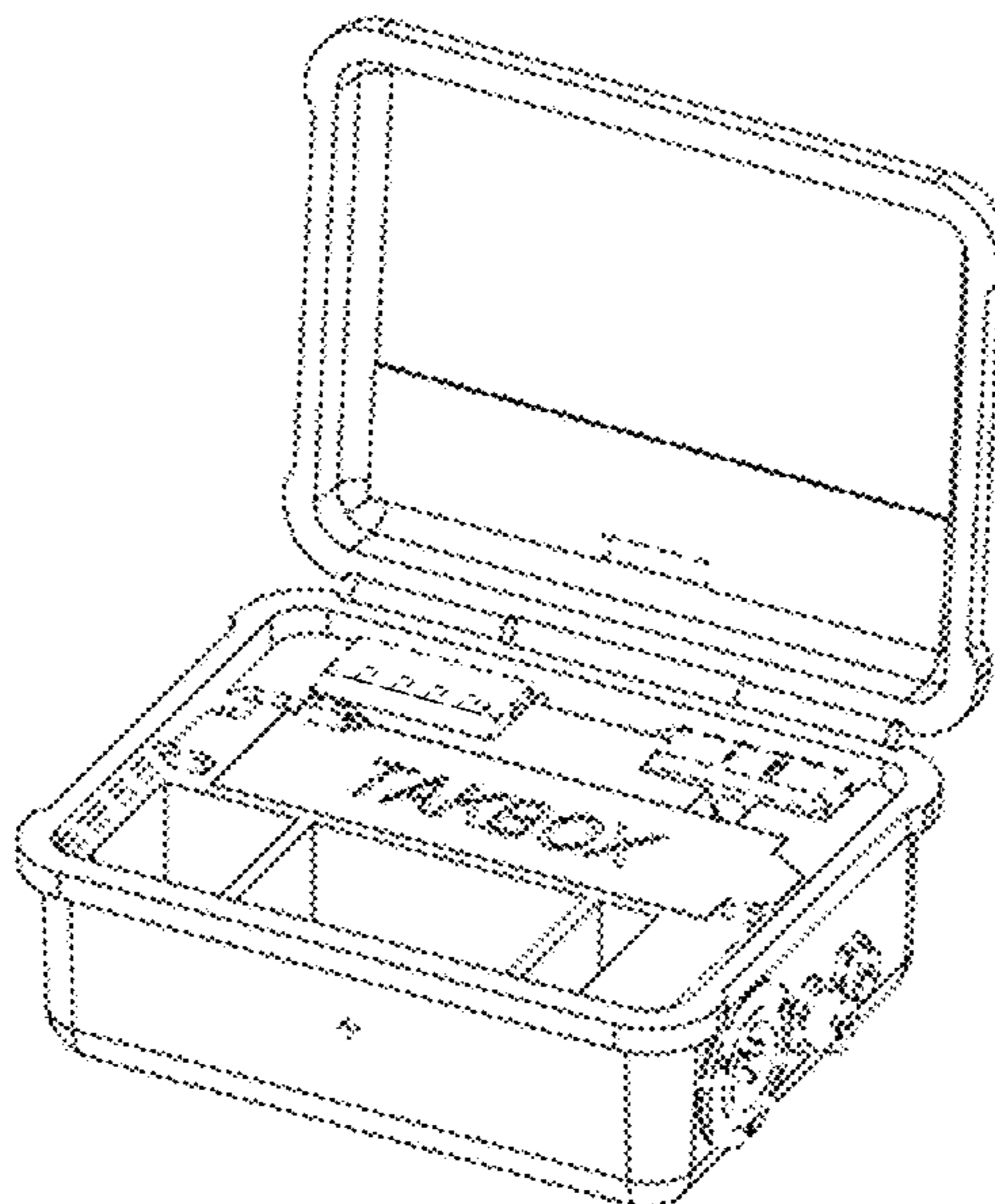
DESCRIPTION

FIG. 1 is an isometric view of a tactical assault kit box; FIG. 2 is a top view of the tactical assault kit box of FIG. 1; FIG. 3 is a front elevation view of the tactical assault kit box of FIG. 1; and, FIG. 4 is a side elevation view of the tactical assault kit box of FIG. 1. The broken lines depict environment and text that form no part of the claimed invention.

1 Claim, 4 Drawing Sheets

(56) **References Cited**
U.S. PATENT DOCUMENTS

- D409,484 S * 5/1999 Tasker D9/423
- D418,978 S * 1/2000 Pennoyer, Jr. B65D 45/24
- 6,955,381 B2 * 10/2005 Parker E05C 3/06
- 292/113



(56)

References Cited

U.S. PATENT DOCUMENTS

2008/0078682 A1* 4/2008 Clark A62B 99/00
206/223
2011/0011760 A1* 1/2011 Habersetzer G06F 1/1628
206/320
2011/0114526 A1* 5/2011 Neumann A45C 11/20
206/459.5
2015/0129569 A1* 5/2015 Miller B23K 9/32
219/137.2

OTHER PUBLICATIONS

Nanuk 905 Waterproof Hard Case, Announced Apr. 26, 2010 (online), [site visited Apr. 6, 2023]. Available from internet, URL: <<https://www.amazon.com/Nanuk-Waterproof-Hard-Case-Insert/dp/B003JH7ZM2?th=1>> (Year: 2010).*

Black Tactical ABS Weatherproof Equipment Case, Announced Jan. 27, 2016 (online), [site visited Apr. 6, 2023]. Available from internet, URL: <<https://www.amazon.com/Black-Tactical-Weatherproof-Equipment-Customizable/dp/B01BPBPXN6>> (Year: 2016).*

MTM ACR4-18 Ammo Crate Utility Box, Announced Jan. 1, 2016 (online), [site visited Apr. 6, 2023]. Available from internet, URL: <<https://www.amazon.com/MTM-ACR4-18-Ammo-Crate-Utility/dp/B01CNP4HMG>> (Year: 2016).*

* cited by examiner

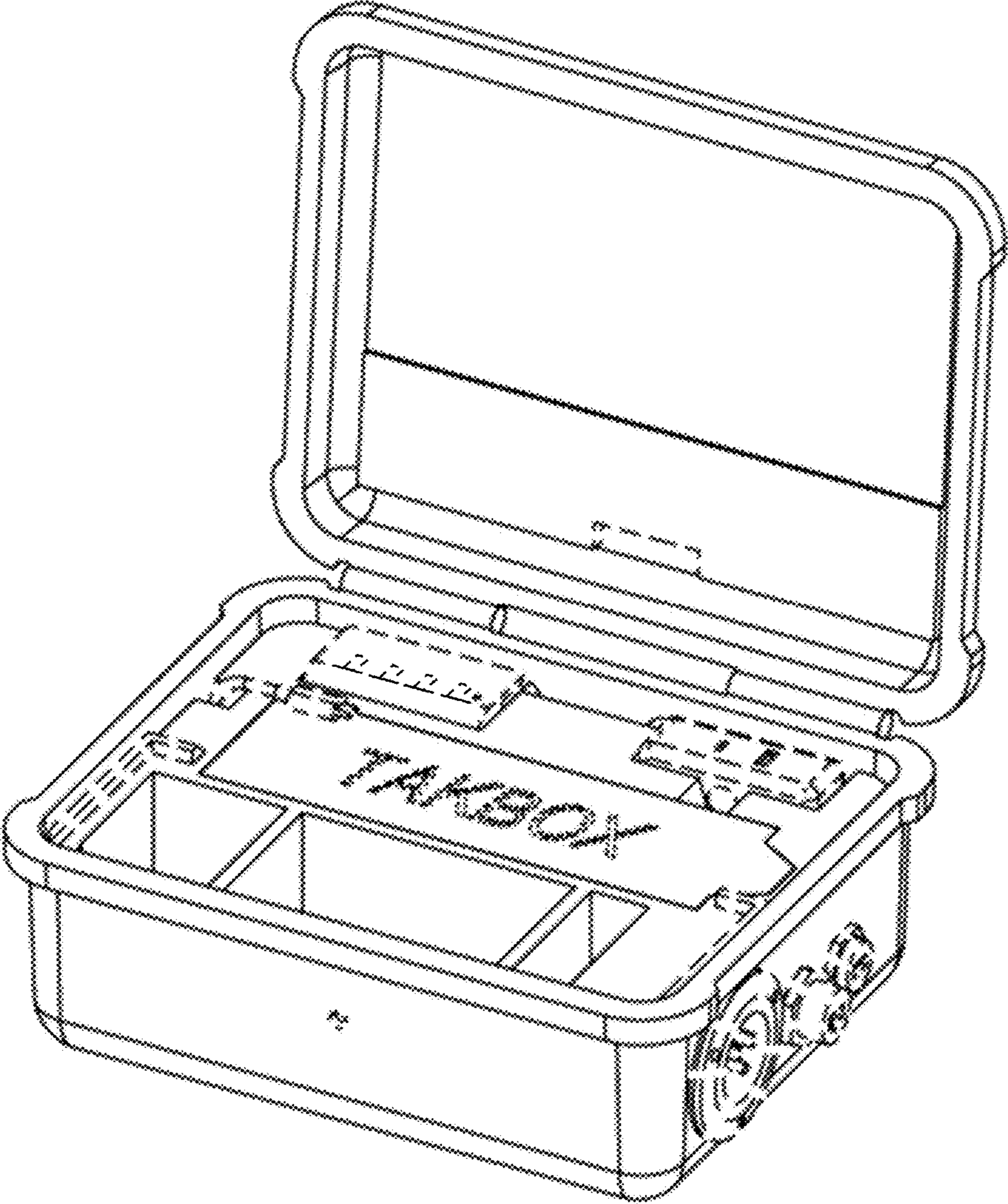


FIG. 1

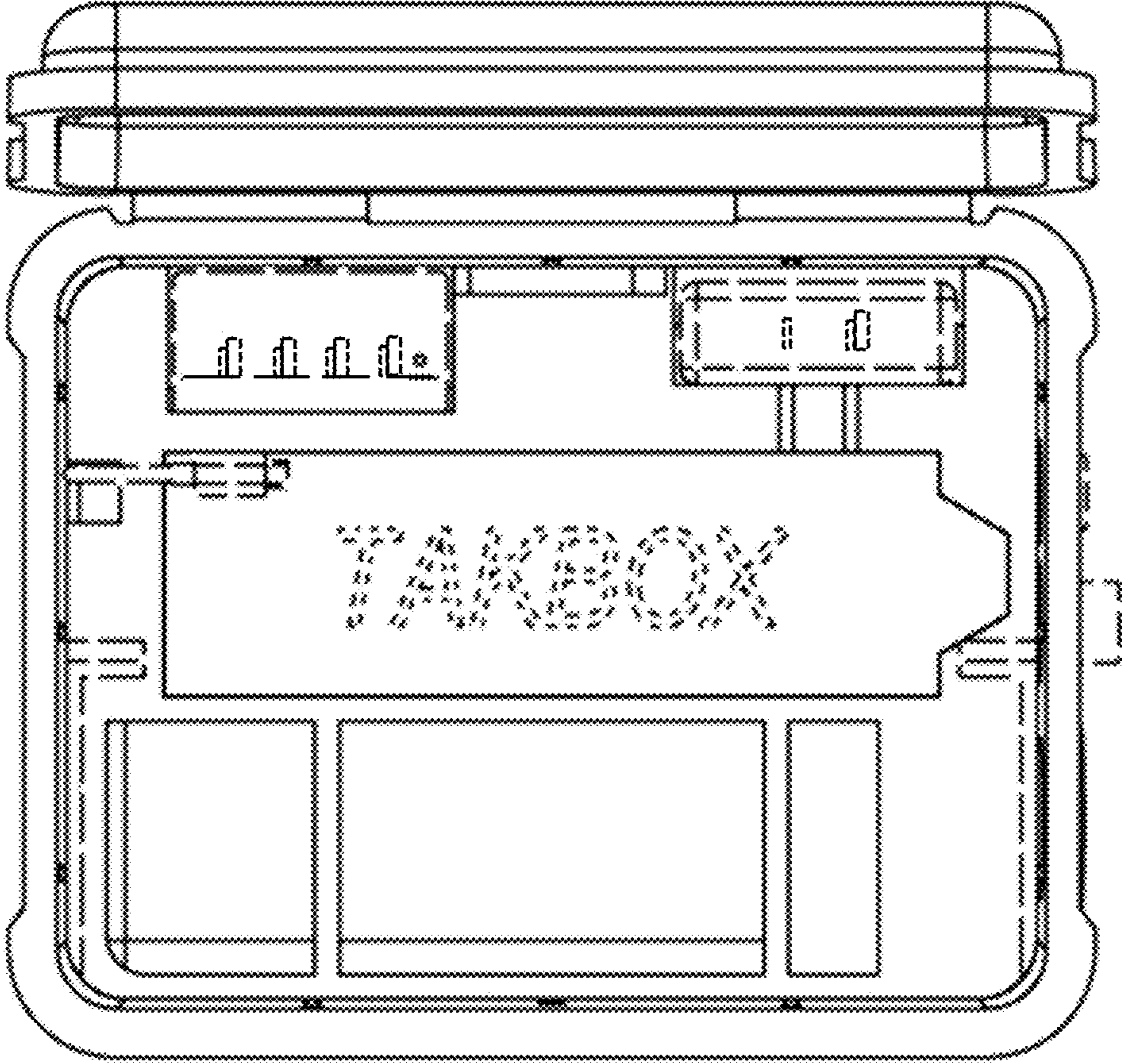


FIG. 2

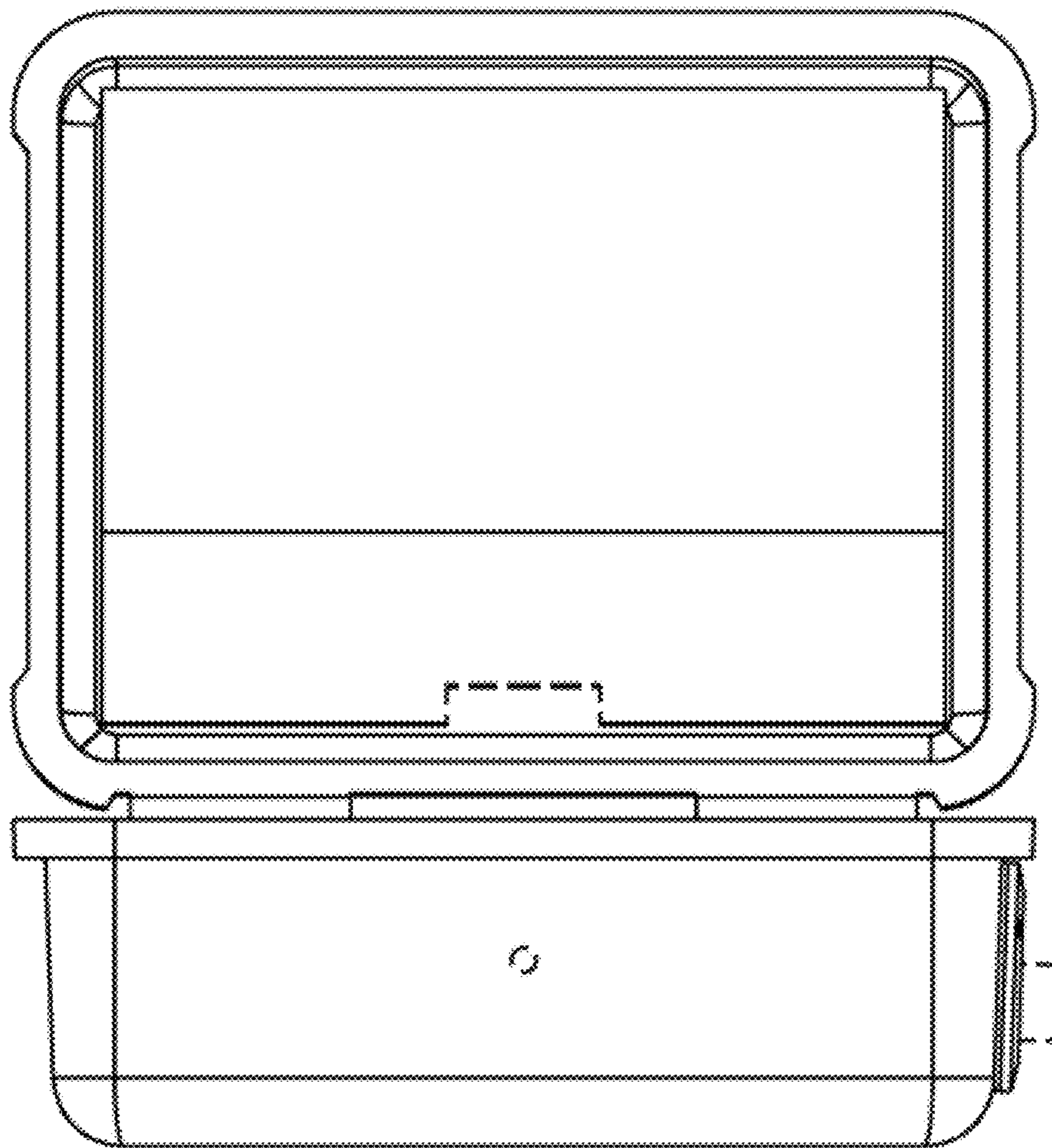


FIG. 3

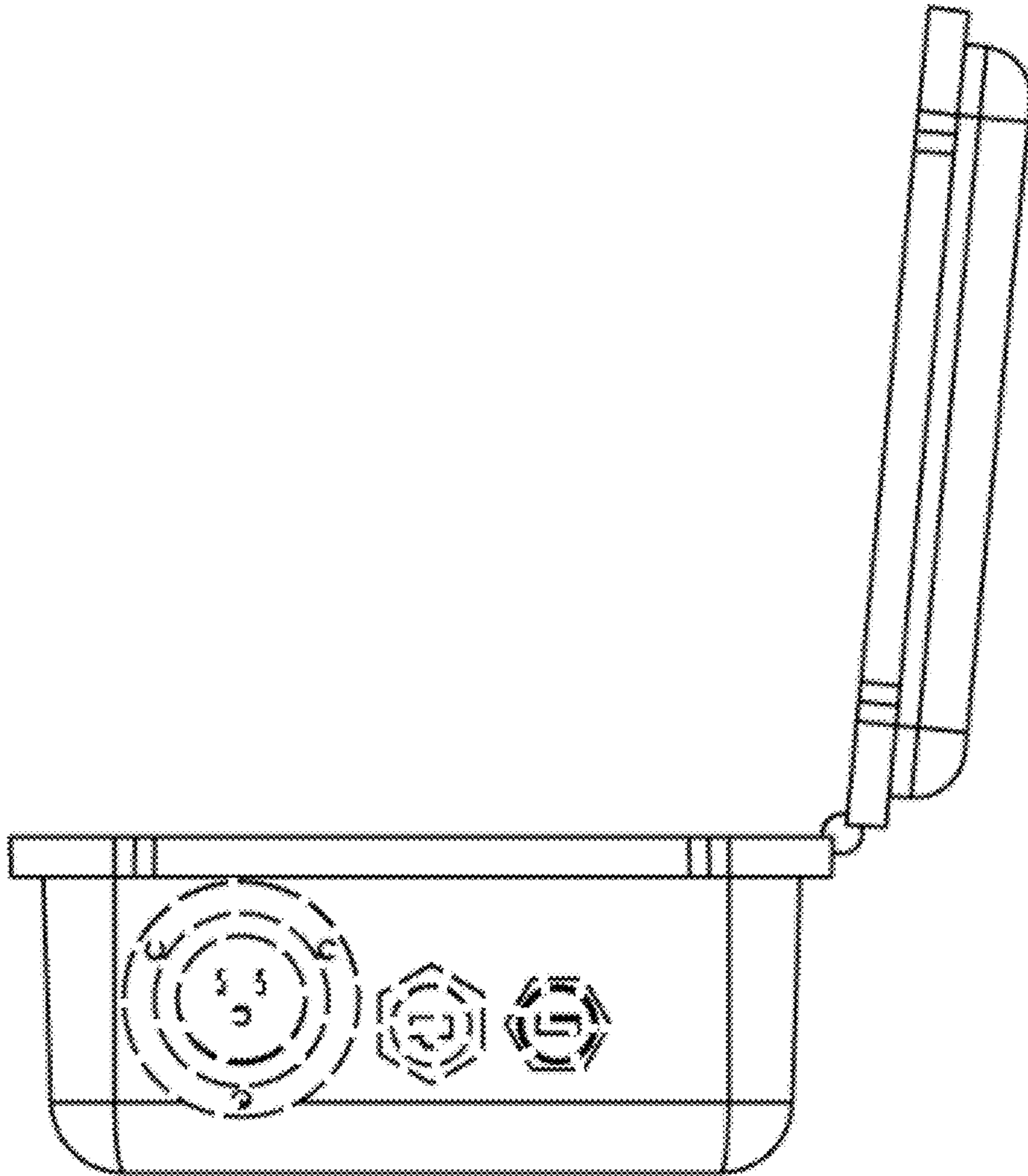


FIG. 4