



US0D1022449S

(12) **United States Design Patent** (10) **Patent No.:** **US D1,022,449 S**
Cowan (45) **Date of Patent:** **** Apr. 16, 2024**

(54) **HOLSTER HOOK**
(71) Applicant: **Jared Cowan**, Franklin, TN (US)
(72) Inventor: **Jared Cowan**, Franklin, TN (US)
(**) Term: **15 Years**
(21) Appl. No.: **29/840,665**
(22) Filed: **May 31, 2022**
(51) **LOC (14) Cl.** **03-01**
(52) **U.S. Cl.**
USPC **D3/222**
(58) **Field of Classification Search**
USPC D3/201, 215-217, 222-225, 226, 231,
D3/232, 243, 245, 246, 252-254, 262,
D3/285-289, 303, 321-328;
D22/108-110, 199; D8/349, 353, 354,
D8/373, 384, 385, 394, 499
CPC F41C 33/00; F41C 33/001; F41C 33/006;
F41C 33/02; F41C 33/041; F41C 27/00;
F42B 39/02
See application file for complete search history.

D903,471 S * 12/2020 Deckelman D8/354
D904,861 S * 12/2020 McWilliams D8/354
2022/0065582 A1* 3/2022 Spaulding F41C 33/001

FOREIGN PATENT DOCUMENTS

KR 300863561.0000 * 7/2016

OTHER PUBLICATIONS

Heezy gun holster clip, posted at amazon.com, first available Apr. 29, 2016, retrieved on Jul. 19, 2023, online, <https://www.amazon.com/Holster-Spring-Hardware-Leather-Sheaths/dp/B01EZ741MQ> (Year: 2016).*
IWB holster mount, posted at wethepeopleholsters.com, first available Mar. 5, 2023, retrieved on Jul. 19, 2023, online, <https://wethepeopleholsters.com/products/iwb-holster-mount> (Year: 2023).*

(Continued)

Primary Examiner — John R Yeh
Assistant Examiner — Dustin Andrew Griffith

(57) **CLAIM**

The ornamental design for a holster hook, as shown and described.

DESCRIPTION

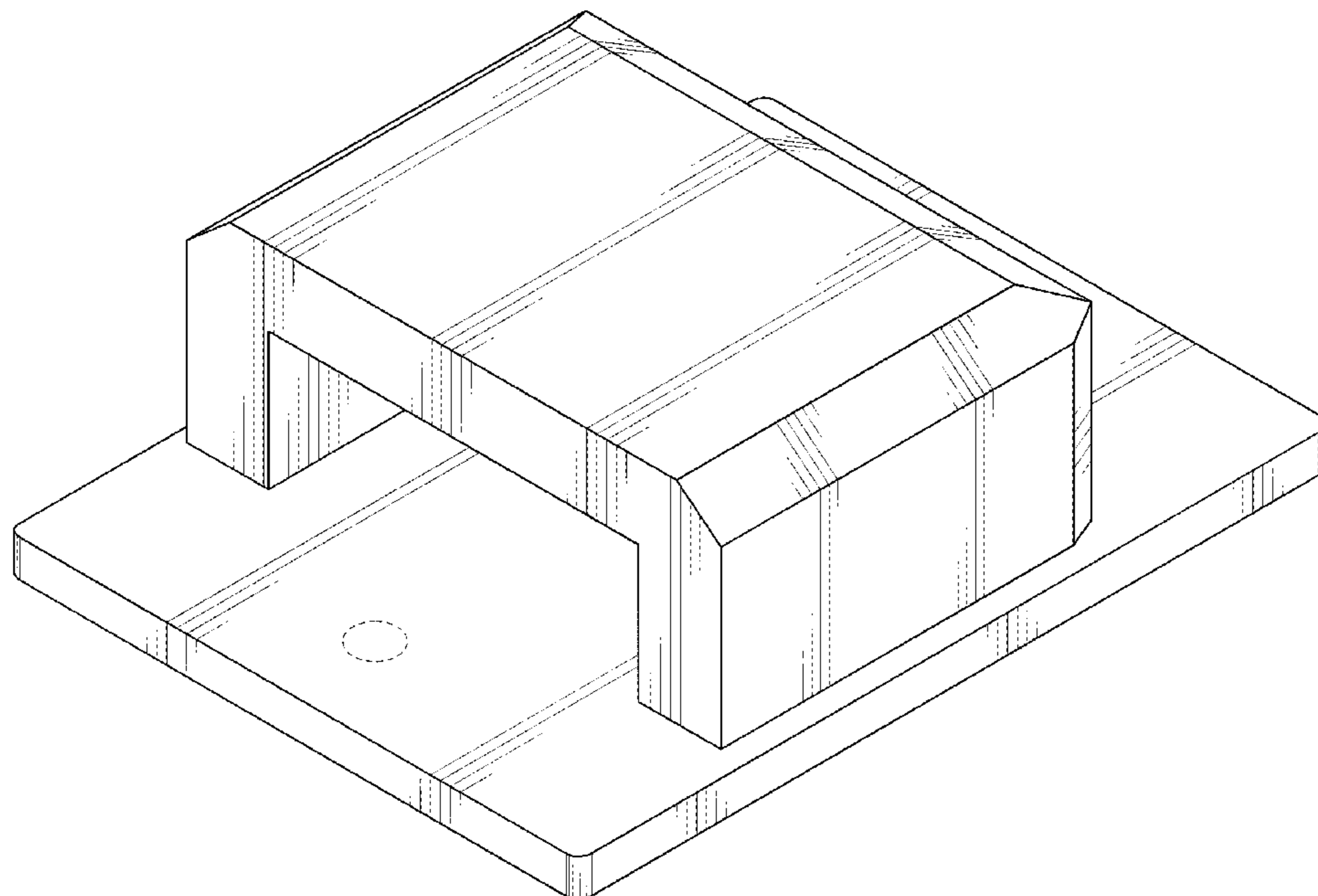
FIG. 1 is a top-front perspective view of a holster hook showing my new design;
FIG. 2 is a bottom-rear perspective view thereof;
FIG. 3 is a left elevational view thereof;
FIG. 4 is a right elevational view thereof;
FIG. 5 is a top plan view thereof;
FIG. 6 is a bottom plan view thereof;
FIG. 7 is a front elevational view thereof; and,
FIG. 8 is a rear elevational view thereof.
The broken lines depict portions of the holster hook that form no part of the claimed design.

1 Claim, 8 Drawing Sheets

(56) **References Cited**

U.S. PATENT DOCUMENTS

D35,000 S * 8/1901 Kendrick D8/349
D443,199 S * 6/2001 Swanson D8/373
D576,479 S * 9/2008 Alexander D8/395
D613,941 S * 4/2010 Daniel D3/222
D623,933 S * 9/2010 Mallin D8/394
9,010,600 B1 4/2015 Gleaton
D732,373 S * 6/2015 Wagner D8/349
D764,788 S * 8/2016 Beard D3/222
D771,376 S * 11/2016 Ray D3/222
D804,811 S * 12/2017 Davis D3/222
D807,028 S * 1/2018 Resca D3/222
10,145,650 B1 12/2018 Terhark



(56)

References Cited

OTHER PUBLICATIONS

Stinger gun holster, posted at amazon.com, first available Nov. 15, 2018, retrieved on Jul. 19, 2023, online, <https://www.amazon.com/Stinger-Trigger-Protection-Magnetic-Revolver/dp/B07PPLKPFW?th=1> (Year: 2018).*

Holster, Retrieved from Internet, Retrieved on Apr. 7, 2022 <URL: <https://www.etsy.com/listing/1196132291/universal-holster-dock-20-iwb-holster>>.

Cloak Dock OWB Holster Mount, Retrieved from Internet, Retrieved on Apr. 7, 2022 <URL: <https://aliengearholsters.com/cloak-dock-holster-mount.html>>.

* cited by examiner

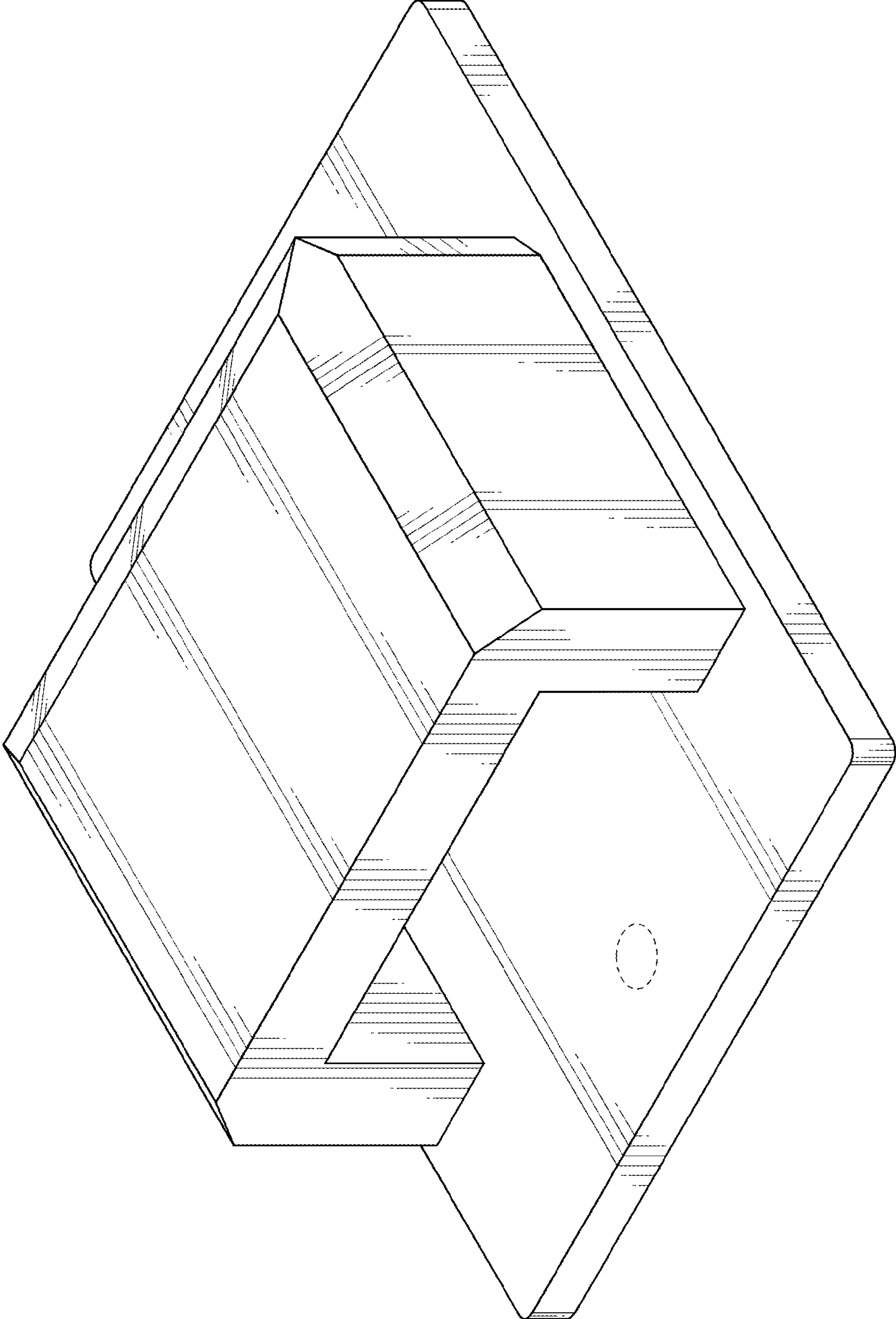


FIG. 1

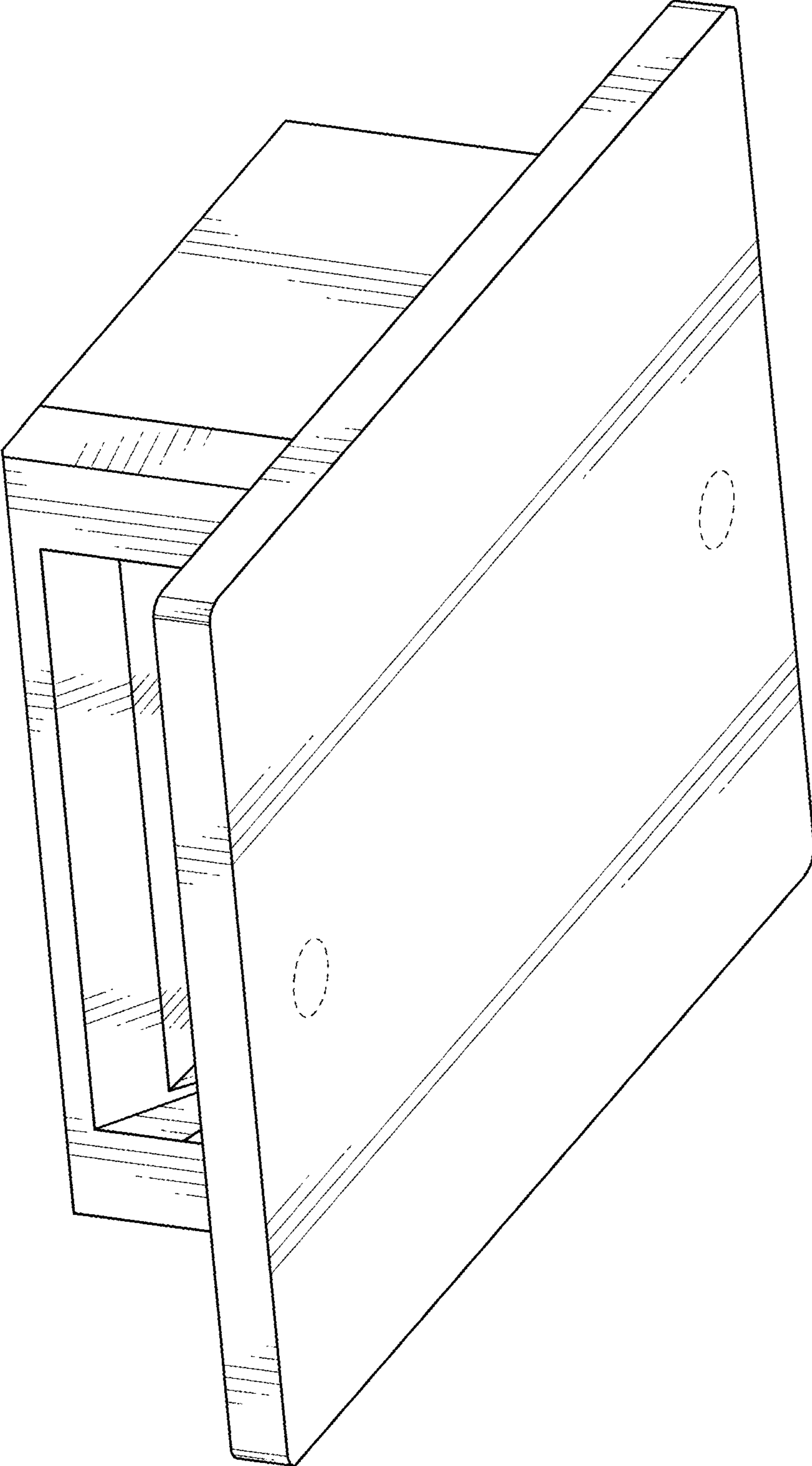


FIG. 2

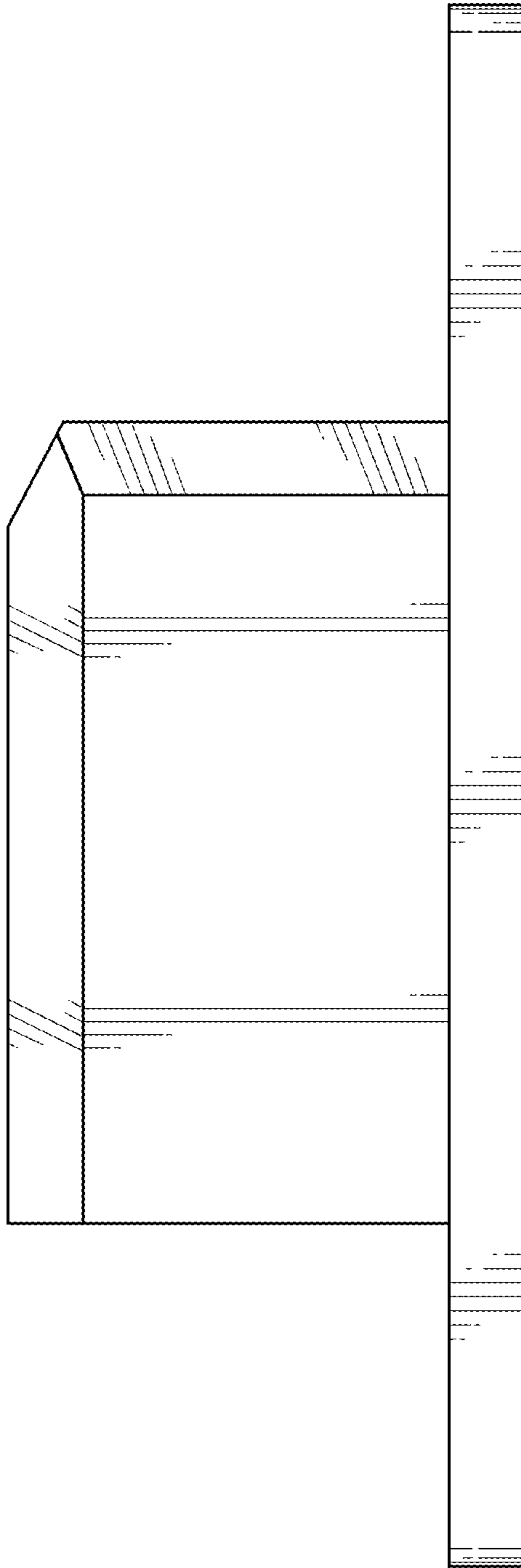


FIG. 3

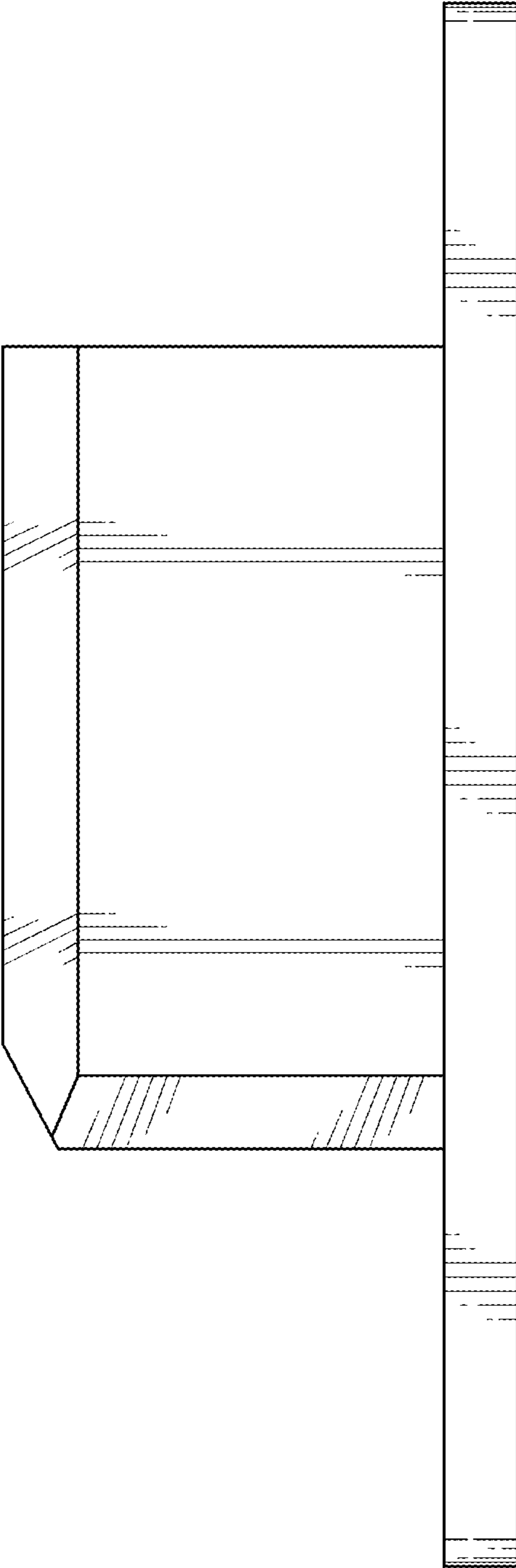


FIG. 4

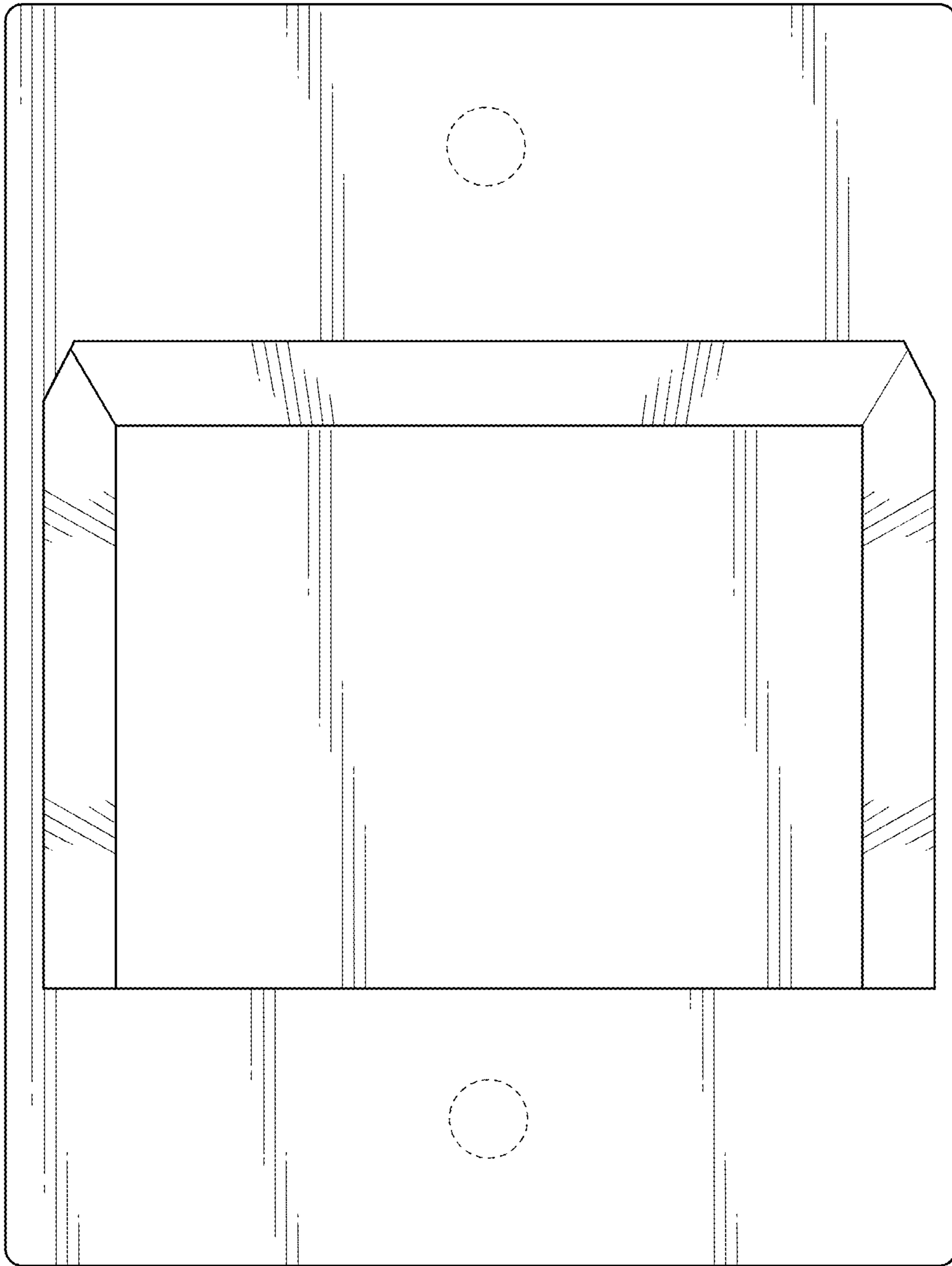


FIG. 5

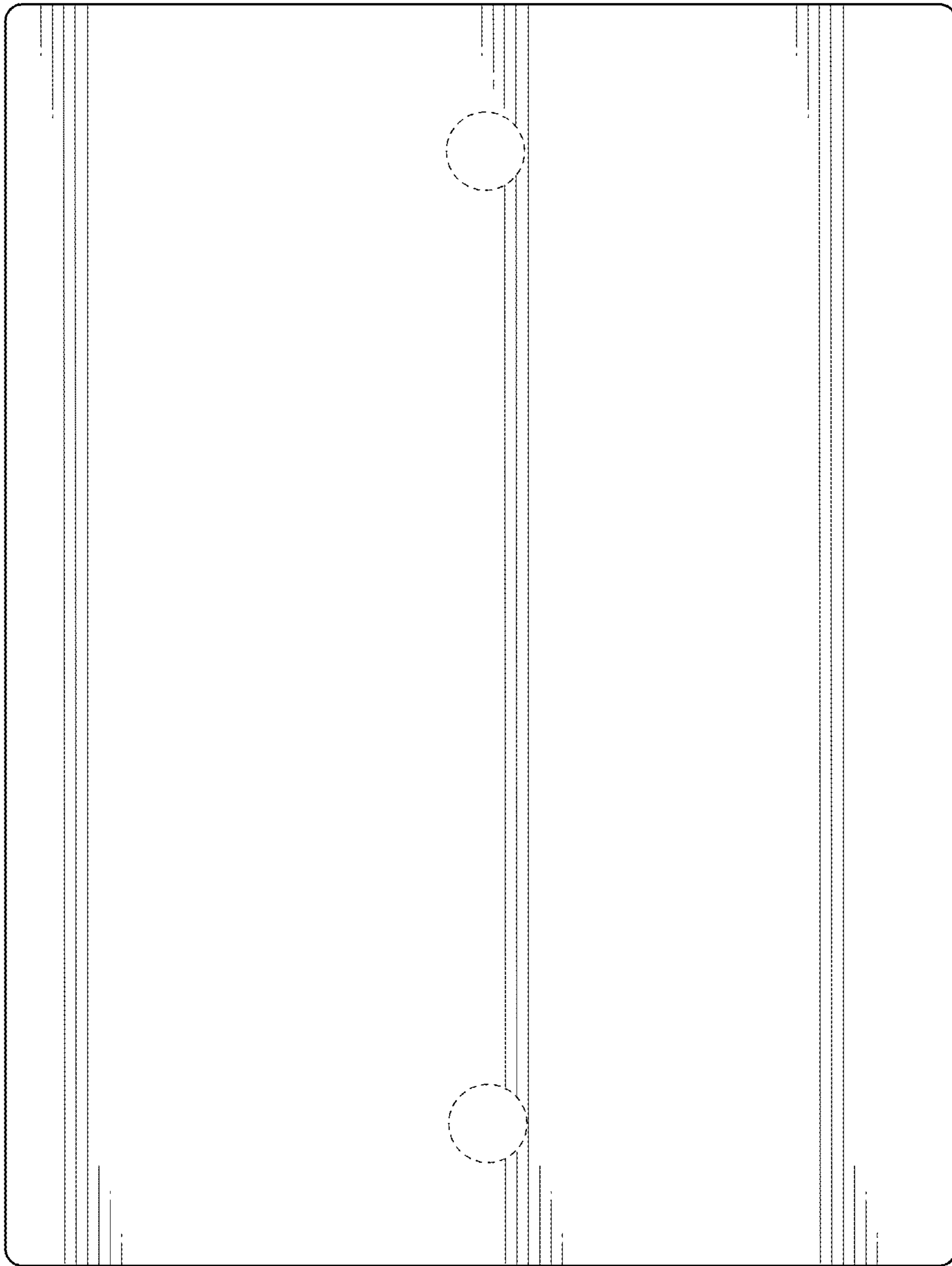


FIG. 6

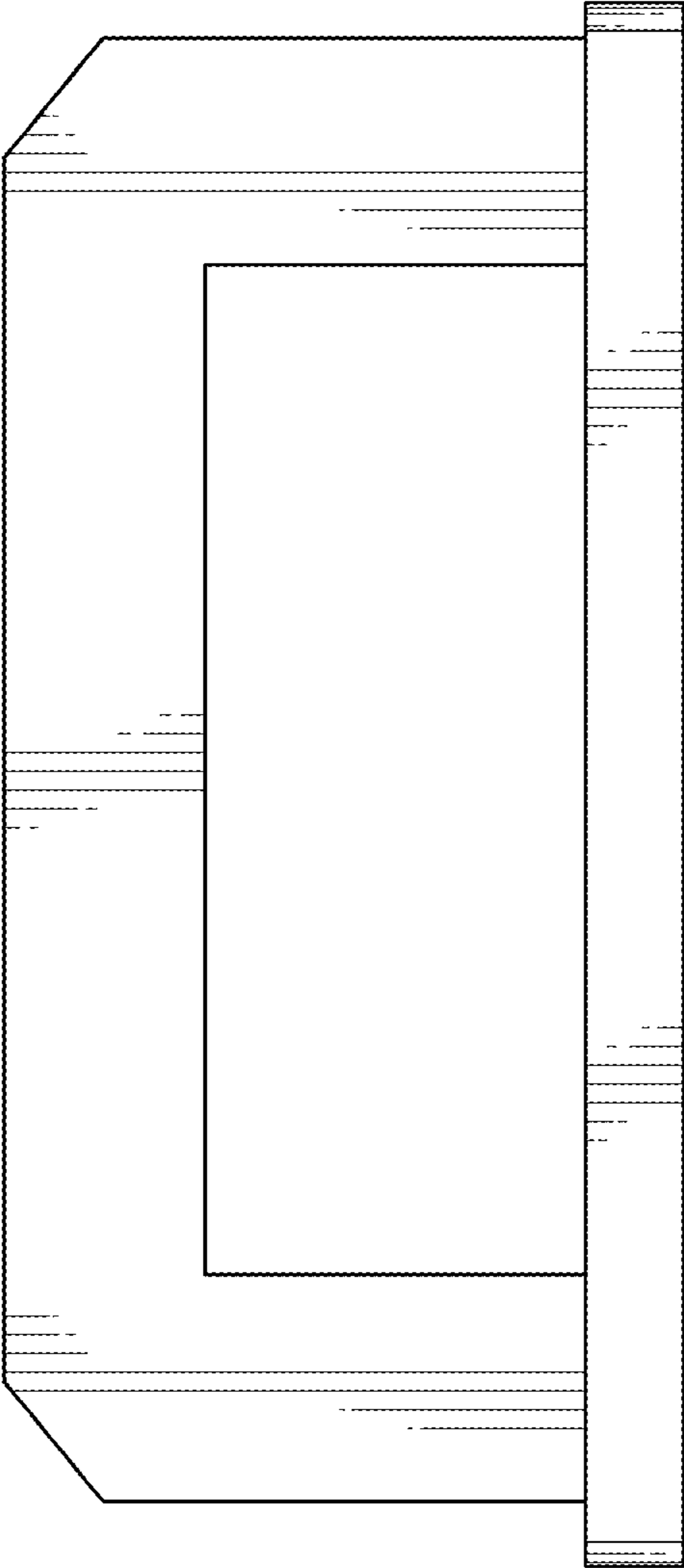


FIG. 7

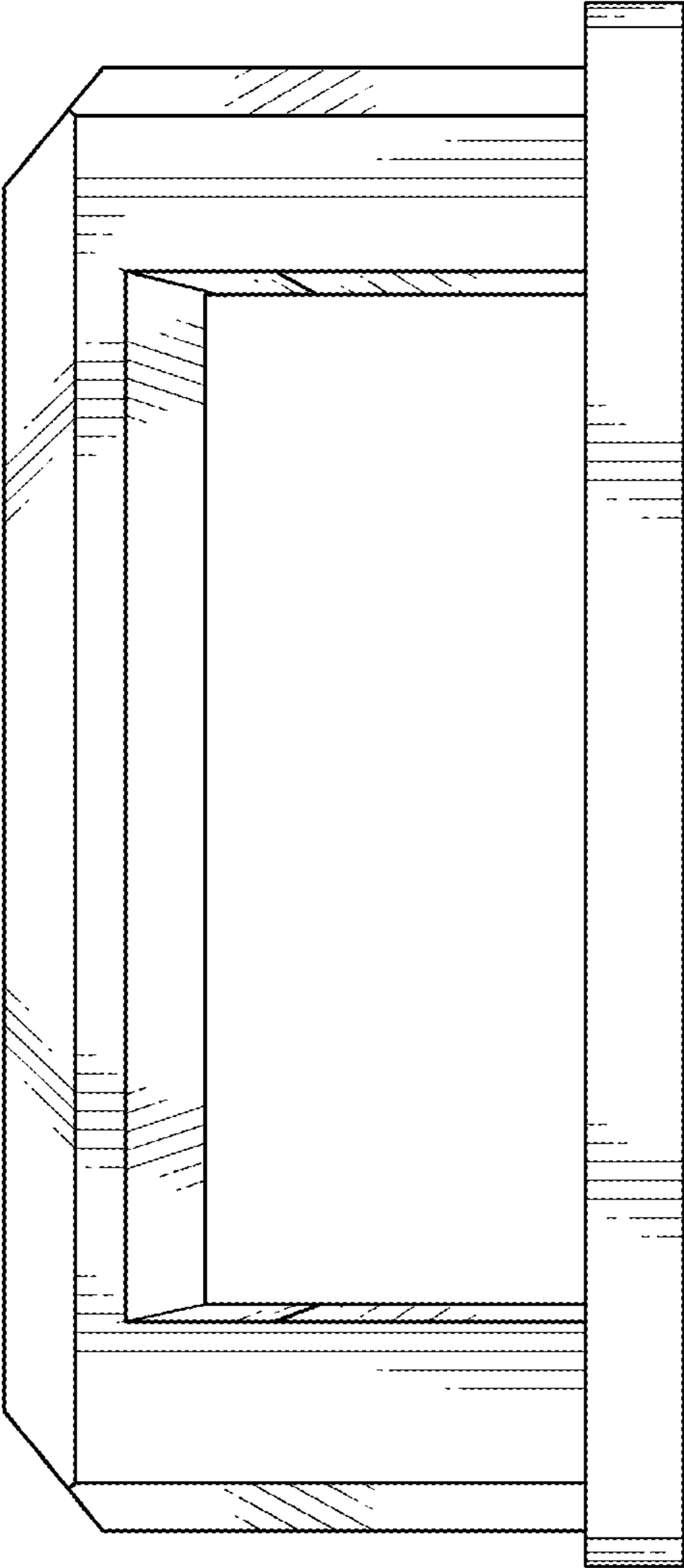


FIG. 8