



US0D1022448S

(12) **United States Design Patent** (10) **Patent No.:** **US D1,022,448 S**  
**Cowan** (45) **Date of Patent:** **\*\* Apr. 16, 2024**

(54) **HOLSTER HOOK**  
(71) Applicant: **Jared Cowan**, Franklin, TN (US)  
(72) Inventor: **Jared Cowan**, Franklin, TN (US)  
(\*\*) Term: **15 Years**  
(21) Appl. No.: **29/840,663**  
(22) Filed: **May 31, 2022**  
(51) **LOC (14) Cl.** ..... **03-01**  
(52) **U.S. Cl.**  
USPC ..... **D3/222**  
(58) **Field of Classification Search**  
USPC ..... D3/201, 215–217, 222–225, 226, 231,  
D3/232, 243, 245, 246, 252–254, 262,  
D3/285–289, 303, 321–328;  
D22/108–110, 199; D8/349, 353, 354,  
D8/373, 384, 385, 394, 499  
CPC ..... F41C 33/00; F41C 33/001; F41C 33/006;  
F41C 33/02; F41C 33/041; F41C 27/00;  
F42B 39/02  
See application file for complete search history.

(56) **References Cited**

U.S. PATENT DOCUMENTS

D35,000 S *	8/1901	Kendrick	.....	D8/349
D443,199 S *	6/2001	Swanson	.....	D8/373
D576,479 S *	9/2008	Alexander	.....	D8/395
D613,941 S *	4/2010	Daniel	.....	D3/222
D623,933 S *	9/2010	Mallin	.....	D8/394
9,010,600 B1	4/2015	Gleaton		
D732,373 S *	6/2015	Wagner	.....	D8/349
D764,788 S *	8/2016	Beard	.....	D3/222
D771,376 S *	11/2016	Ray	.....	D3/222
D804,811 S *	12/2017	Davis	.....	D3/222
D807,028 S *	1/2018	Resca	.....	D3/222
10,145,650 B1	12/2018	Terhark		

D903,471 S \* 12/2020 Deckelman ..... D8/354  
D904,861 S \* 12/2020 McWilliams ..... D8/354  
2022/0065582 A1\* 3/2022 Spaulding ..... F41C 33/001

FOREIGN PATENT DOCUMENTS

KR 300863561.0000 \* 7/2016

OTHER PUBLICATIONS

Heezy gun holster clip, posted at amazon.com, first available Apr. 29, 2016, retrieved on Jul. 19, 2023, online, <https://www.amazon.com/Holster-Spring-Hardware-Leather-Sheaths/dp/B01EZ741MQ> (Year: 2016).\*

IWB holster mount, posted at wethepeopleholsters.com, first available Mar. 5, 2023, retrieved on Jul. 19, 2023, online, <https://wethepeopleholsters.com/products/iwb-holster-mount> (Year: 2023).\*

(Continued)

*Primary Examiner* — John R Yeh  
*Assistant Examiner* — Dustin Andrew Griffith

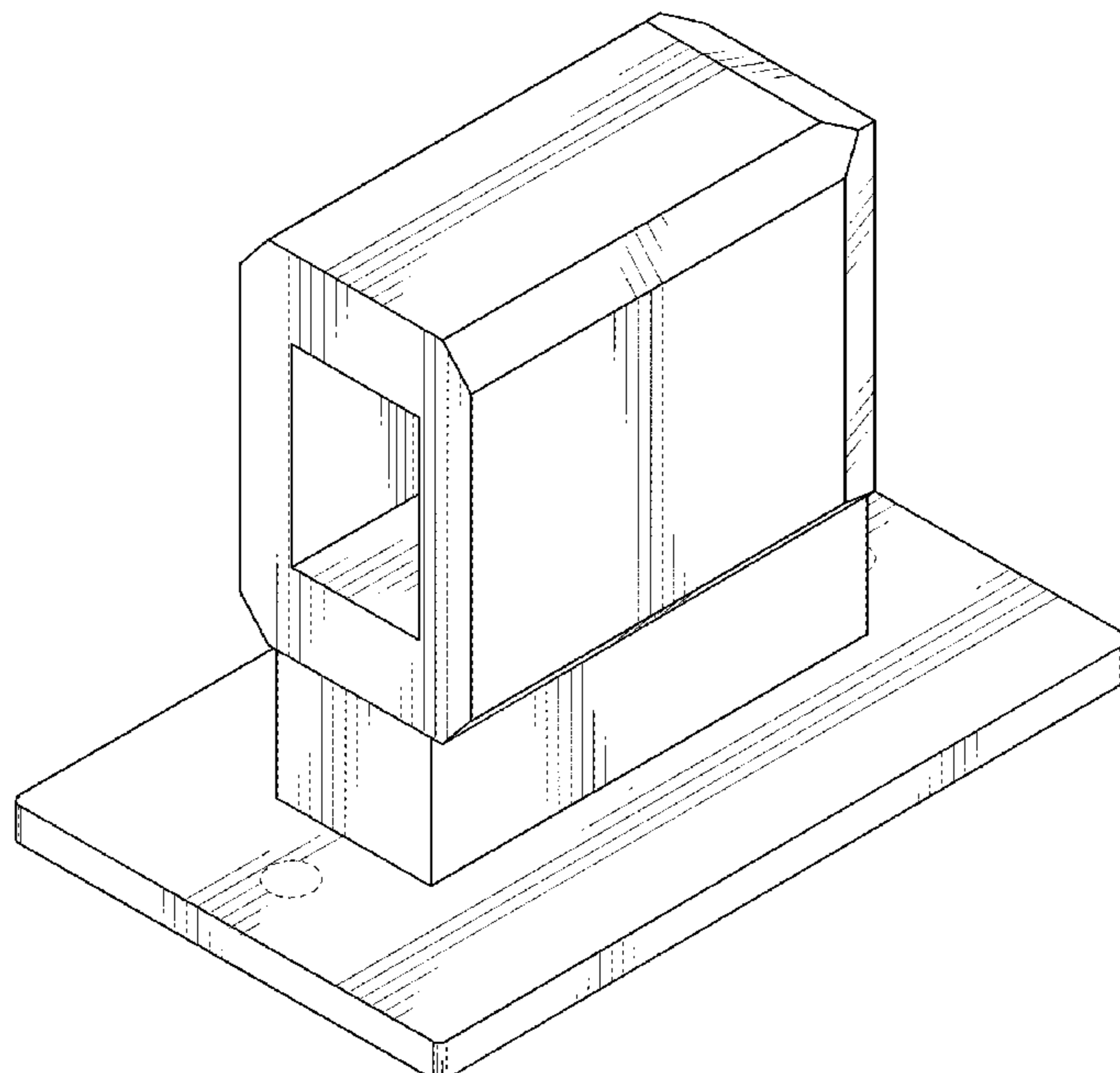
(57) **CLAIM**

The ornamental design for a holster hook, as shown and described.

**DESCRIPTION**

FIG. 1 is a top-front perspective view of a holster hook showing my new design;  
FIG. 2 is a bottom-rear perspective view thereof;  
FIG. 3 is a left elevational view thereof;  
FIG. 4 is a right elevational view thereof;  
FIG. 5 is a top plan view thereof;  
FIG. 6 is a bottom plan view thereof;  
FIG. 7 is a front elevational view thereof; and,  
FIG. 8 is a rear elevational view thereof.  
The broken lines depict portions of the holster hook that forms no part of the claimed design.

**1 Claim, 8 Drawing Sheets**



(56)

**References Cited**

OTHER PUBLICATIONS

Stinger gun holster, posted at amazon.com, first available Nov. 15, 2018, retrieved on Jul. 19, 2023, online, <https://www.amazon.com/Stinger-Trigger-Protection-Magnetic-Revolver/dp/B07PPLKPFW?th=1> (Year: 2018).\*

Holster, Retrieved from Internet, Retrieved on Apr. 7, 2022 <URL: <https://www.etsy.com/listing/1196132291/universal-holster-dock-20-iwb-holster>>.

Cloak Dock OWB Holster Mount, Retrieved from Internet, Retrieved on Apr. 7, 2022 <URL: <https://aliengearholsters.com/cloak-dock-holster-mount.html>>.

\* cited by examiner

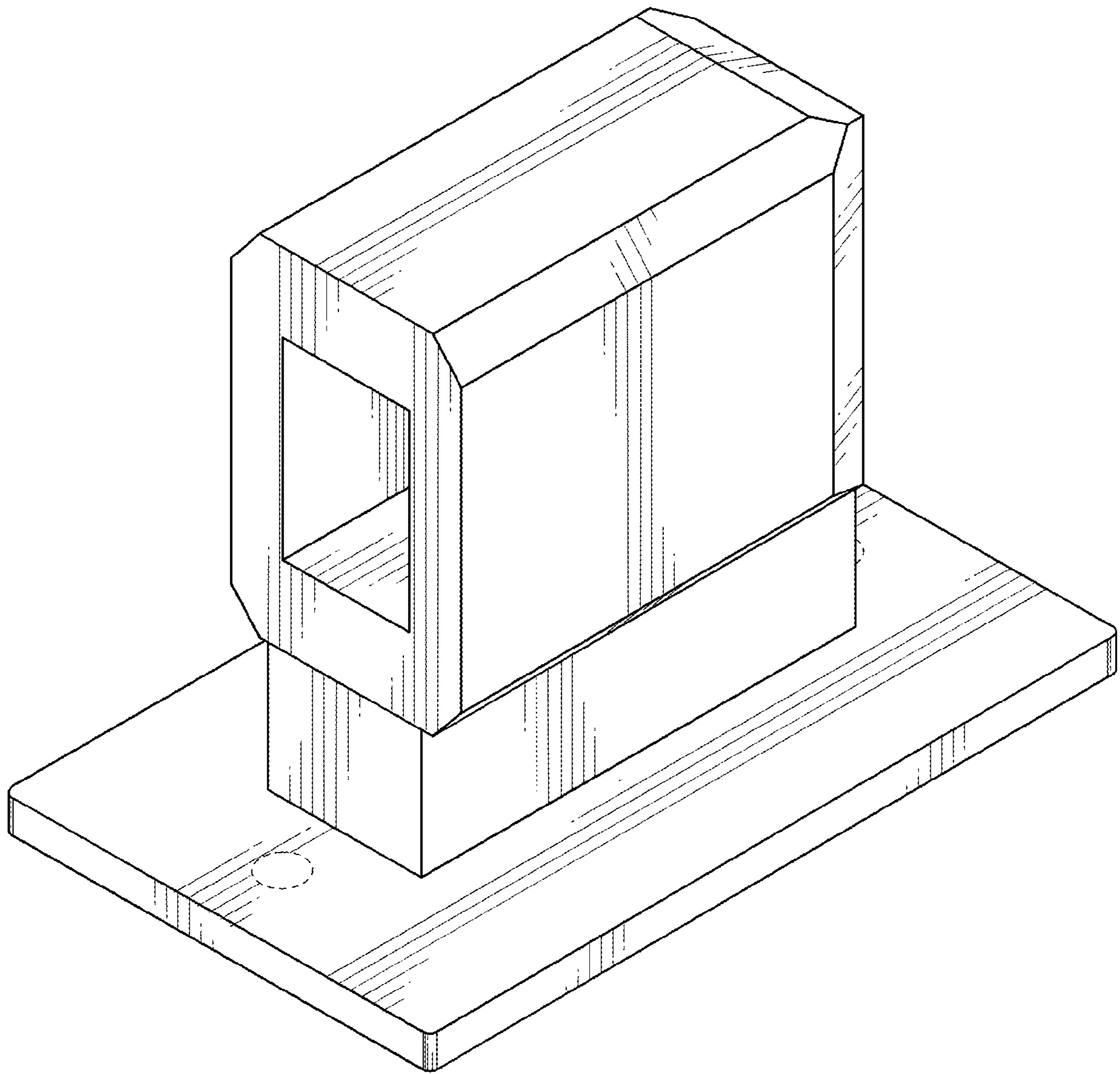


FIG. 1

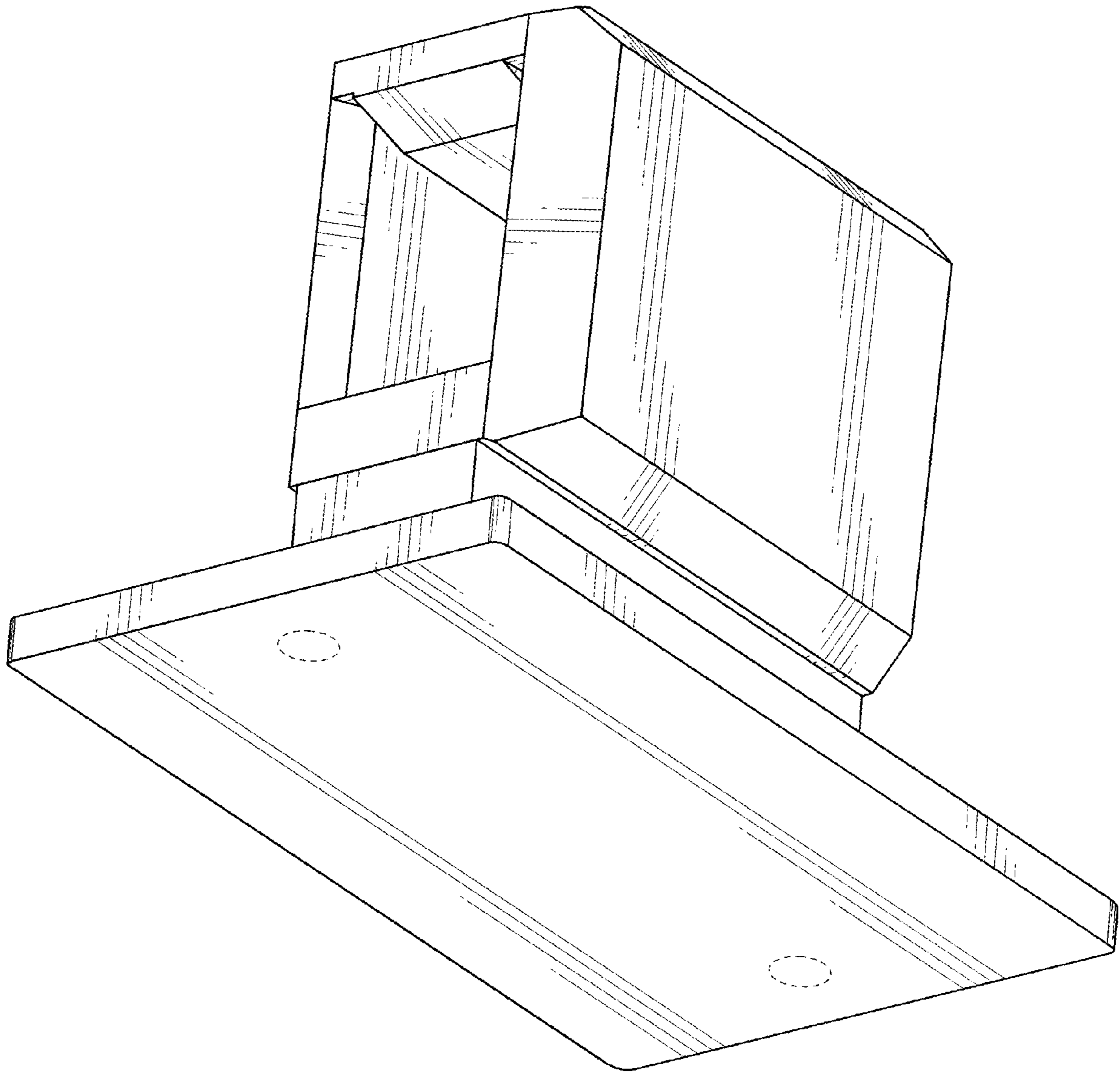


FIG. 2

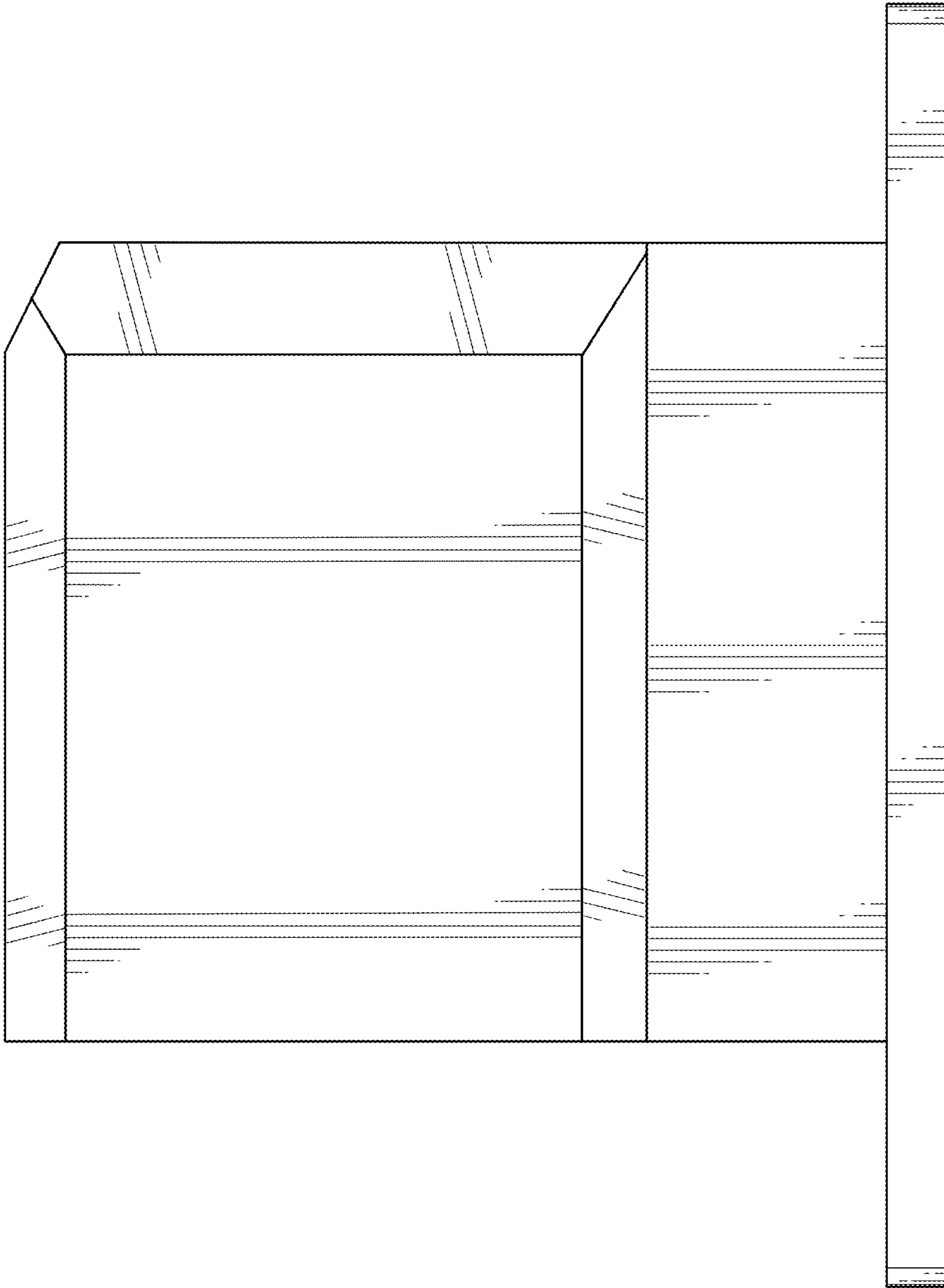


FIG. 3

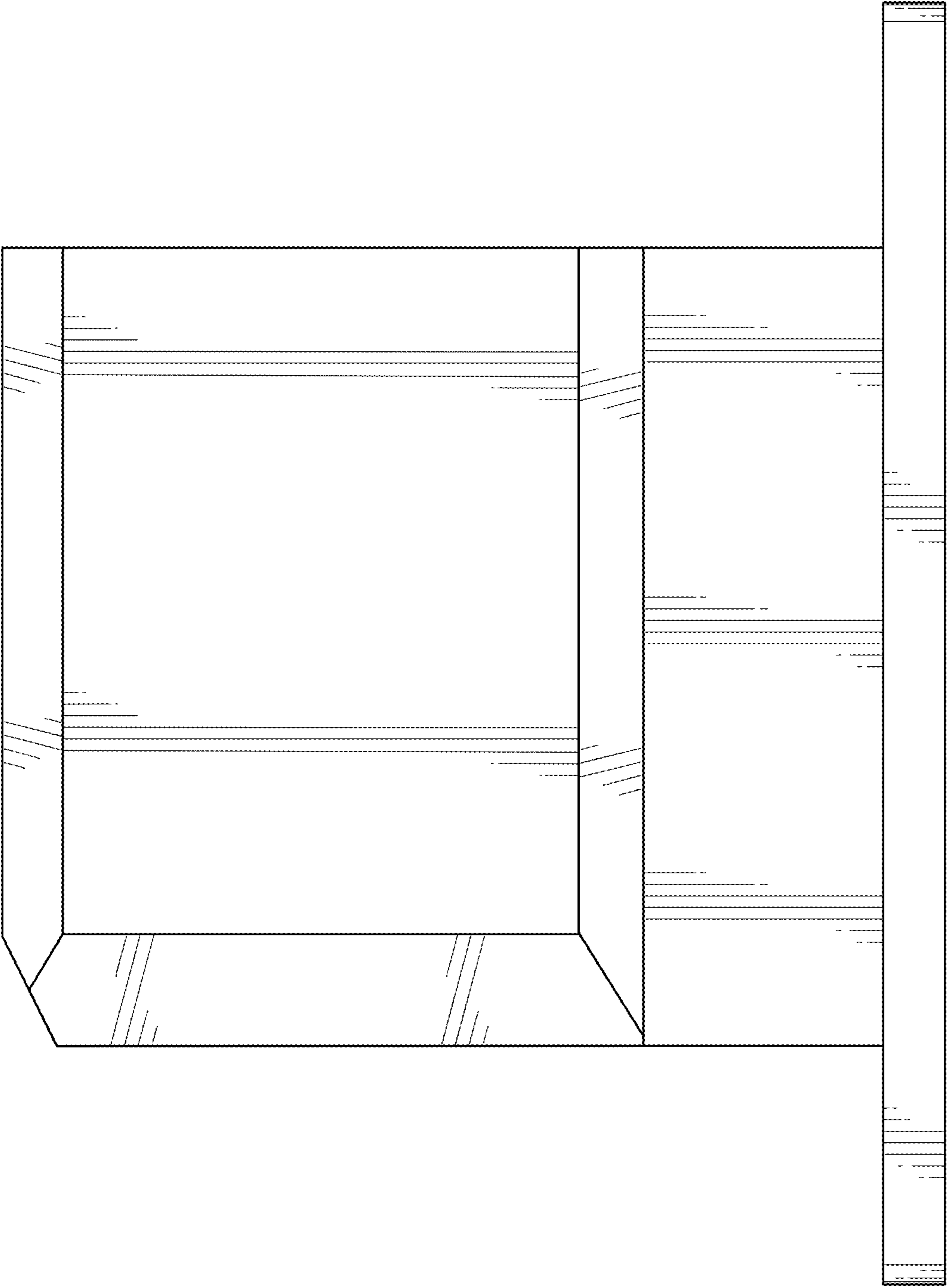


FIG. 4

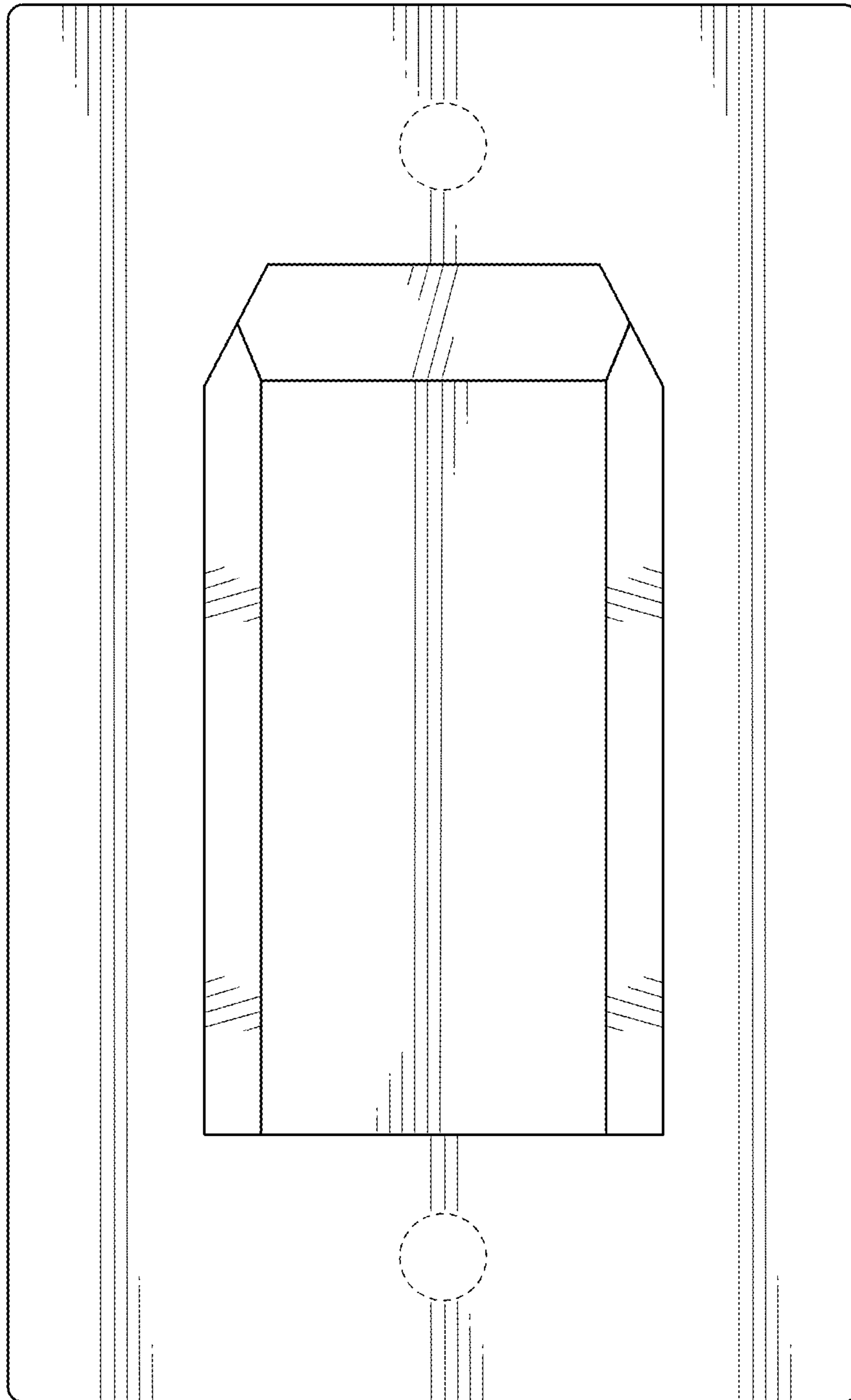


FIG. 5

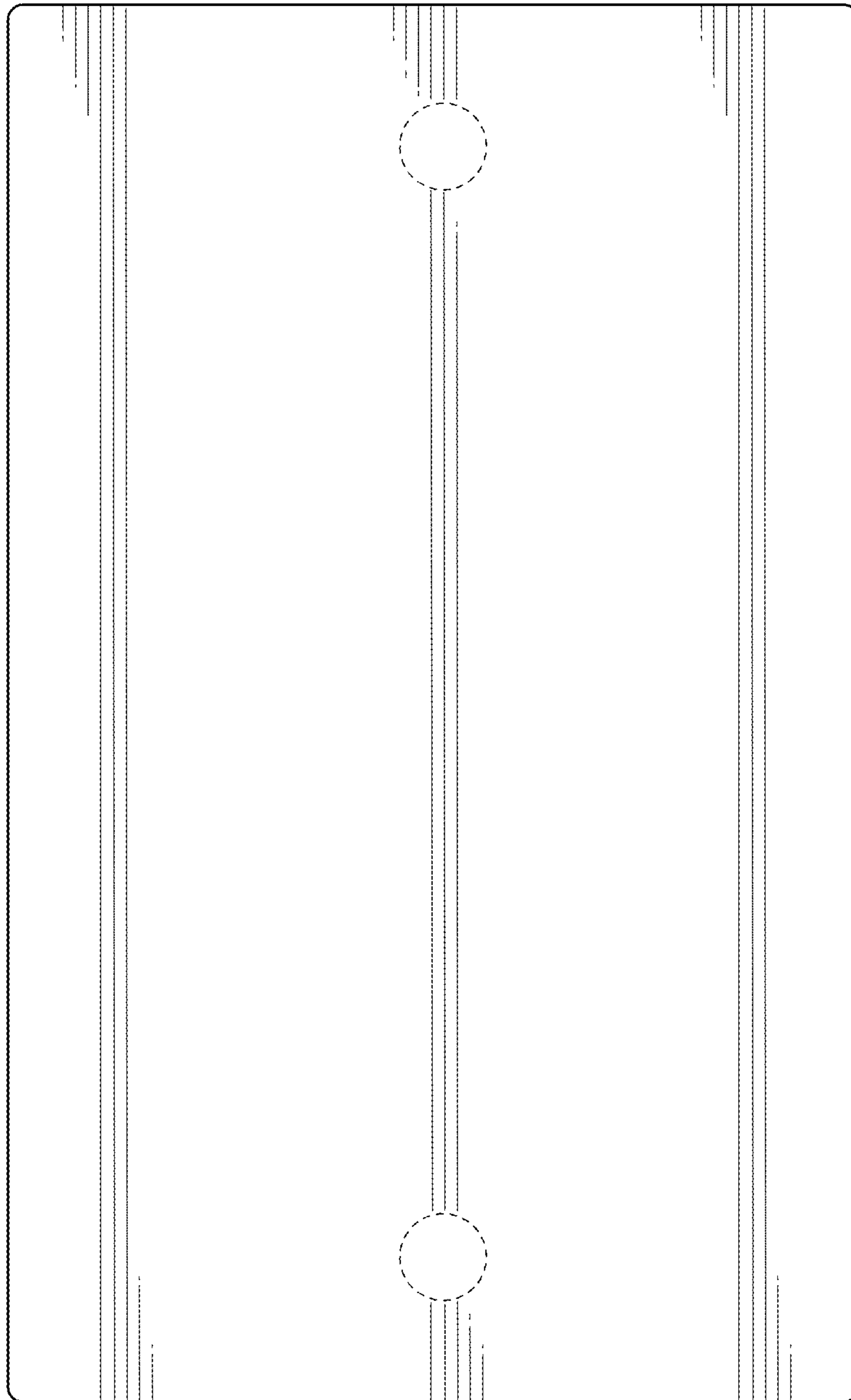


FIG. 6



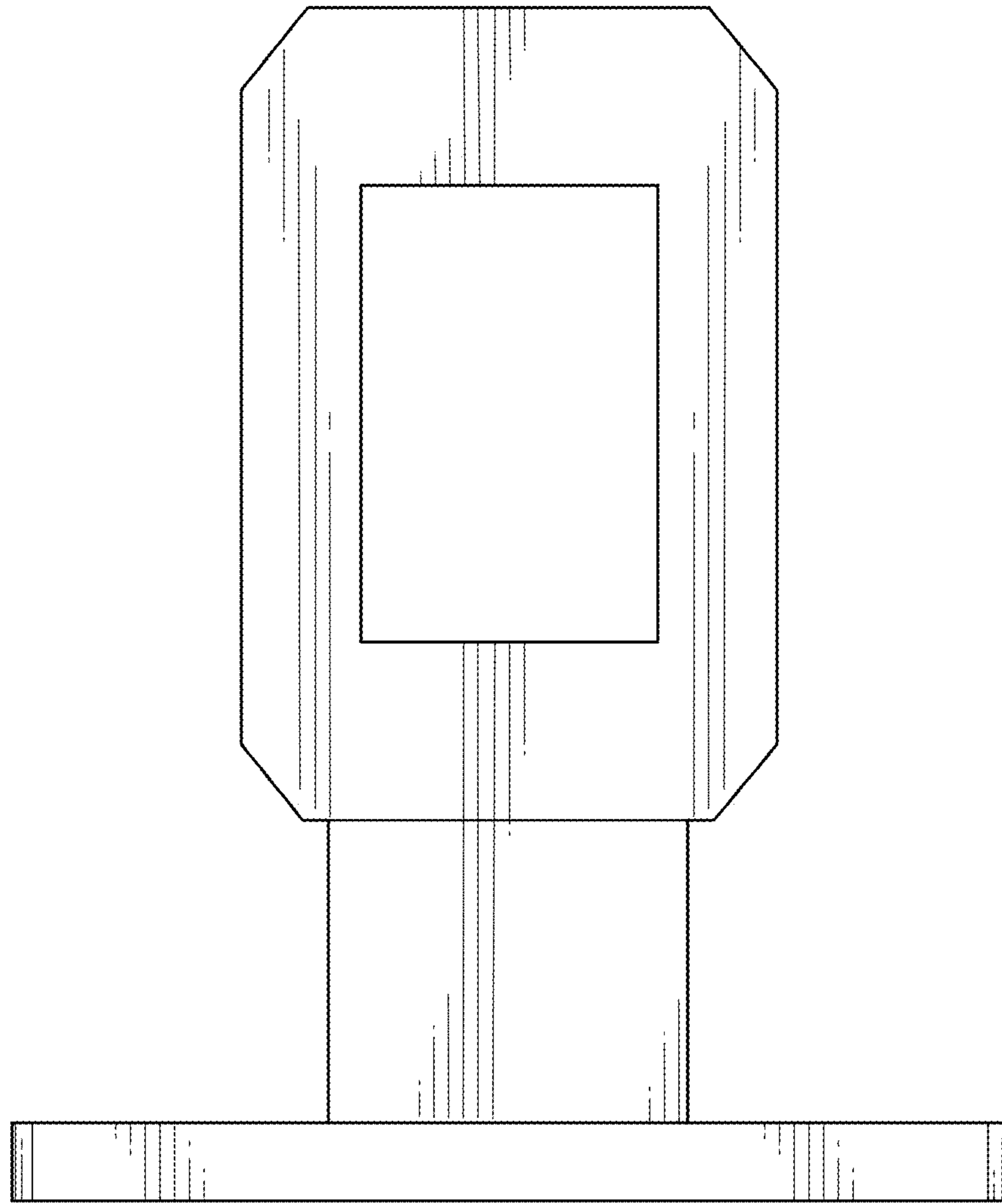


FIG. 7

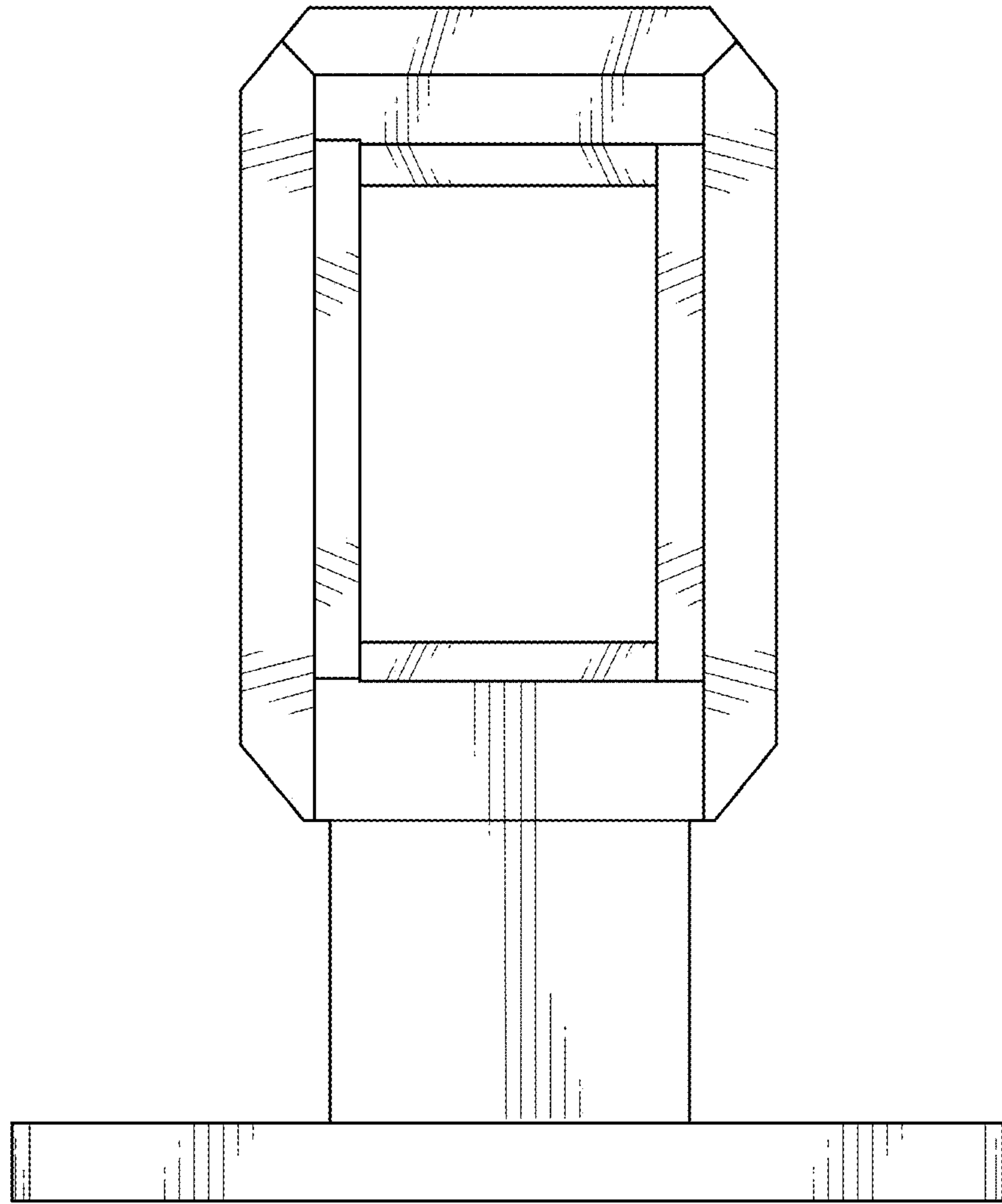


FIG. 8